

US00D509460S

(12) **United States Design Patent**  
**Botzer**

(10) **Patent No.:** **US D509,460 S**

(45) **Date of Patent:** **\*\* Sep. 13, 2005**

(54) **LUMINOUS WELT**

(75) **Inventor:** **David Botzer**, Ramat Gan (IL)

(73) **Assignee:** **Elam IL**, Jerusalem (IL)

(\*\*) **Term:** **14 Years**

(21) **Appl. No.:** **29/188,829**

(22) **Filed:** **Aug. 26, 2003**

(51) **LOC (8) Cl.** ..... **02-07**

(52) **U.S. Cl.** ..... **D11/221**

(58) **Field of Search** ..... D11/200, 201,  
D11/221; 24/415-417, 413, 419, 421, 427-431,  
381-382, 385, 387, 433, 205, 15 R, 205 R;  
D2/977

(56) **References Cited**

**U.S. PATENT DOCUMENTS**

|             |   |         |                       |           |
|-------------|---|---------|-----------------------|-----------|
| 2,068,500 A | * | 1/1937  | Marinsky .....        | 139/384 B |
| 2,415,643 A | * | 2/1947  | Legat .....           | 24/401    |
| 2,799,070 A | * | 7/1957  | Weber .....           | 24/422    |
| 3,925,858 A | * | 12/1975 | Thaeler .....         | 24/381    |
| D265,606 S  | * | 8/1982  | Kasai .....           | D11/221   |
| D274,016 S  | * | 5/1984  | Kasai .....           | D11/221   |
| D274,480 S  | * | 7/1984  | Kanzaka .....         | D11/221   |
| D284,330 S  | * | 6/1986  | Yoshikawa et al. .... | D11/221   |
| D293,225 S  | * | 12/1987 | Hasegawa .....        | D11/221   |
| D326,433 S  | * | 5/1992  | Takizawa et al. ....  | D11/221   |
| D331,892 S  | * | 12/1992 | Semons .....          | D11/221   |
| 5,485,355 A |   | 1/1996  | Voskoboinik et al.    |           |
| D385,827 S  | * | 11/1997 | Covi et al. ....      | D11/221   |
| 5,836,671 A |   | 11/1998 | Chien                 |           |

|             |   |         |                 |         |
|-------------|---|---------|-----------------|---------|
| 5,869,930 A |   | 2/1999  | Baumberg et al. |         |
| D407,668 S  | * | 4/1999  | Okeya .....     | D11/221 |
| 6,082,867 A |   | 7/2000  | Chien           |         |
| 6,085,698 A |   | 7/2000  | Klein           |         |
| D435,166 S  |   | 12/2000 | Ho              |         |
| D457,299 S  |   | 5/2002  | Bruce et al.    |         |
| D461,037 S  |   | 8/2002  | Shutsa et al.   |         |

\* cited by examiner

*Primary Examiner*—Ralf Seifert

(74) *Attorney, Agent, or Firm*—Pearl Cohen Zedek Laizer LLP

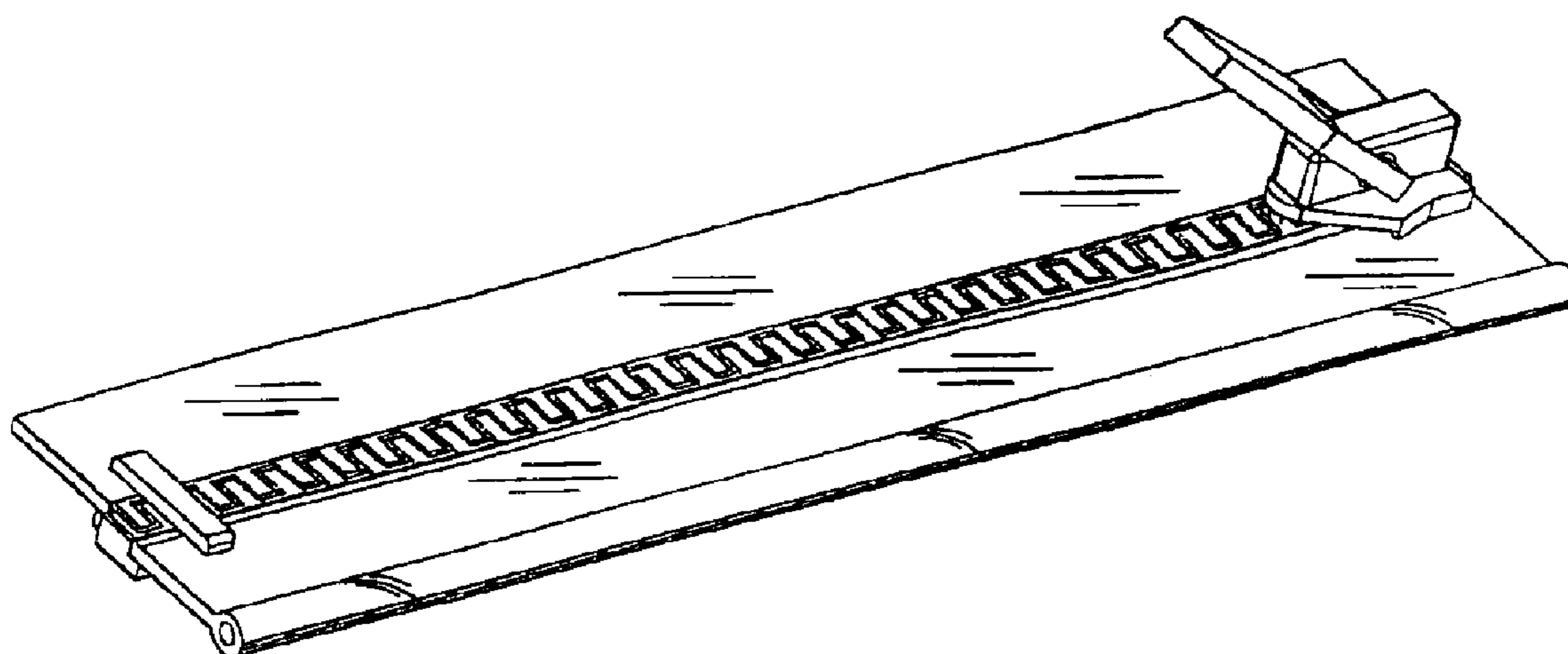
(57) **CLAIM**

The ornamental design for a luminous welt, as shown and described.

**DESCRIPTION**

FIG. 1 is a perspective view of the luminous welt;  
 FIG. 2 is a top plan view of the luminous welt shown in FIG. 1;  
 FIG. 3 is a bottom plan view of the luminous welt shown in FIG. 1;  
 FIG. 4 is a front elevational view of the luminous welt shown in FIG. 1;  
 FIG. 5 is a rear elevational view of the luminous welt shown in FIG. 1;  
 FIG. 6 is a left side elevational view of the luminous welt shown in FIG. 1; and,  
 FIG. 7 is a right side elevational view of the luminous welt shown in FIG. 1.

**1 Claim, 2 Drawing Sheets**



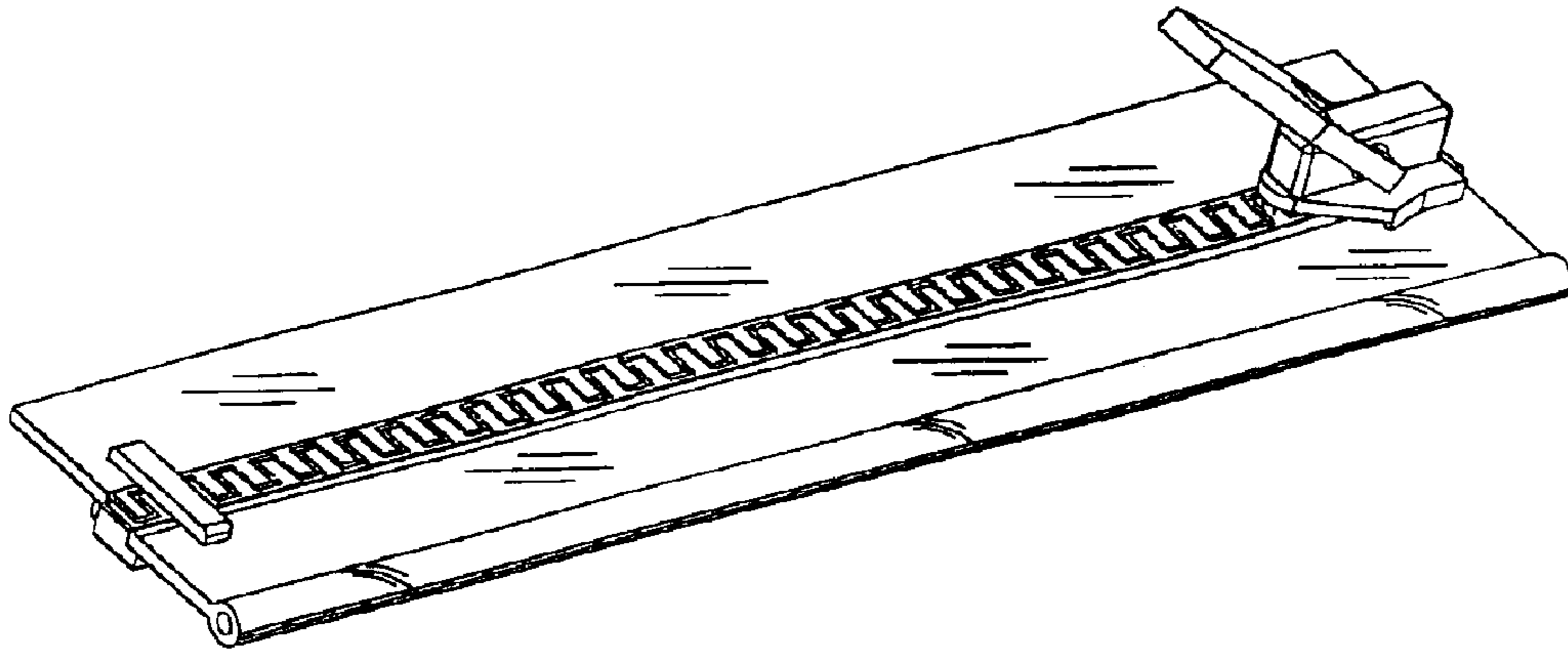


Fig. 1

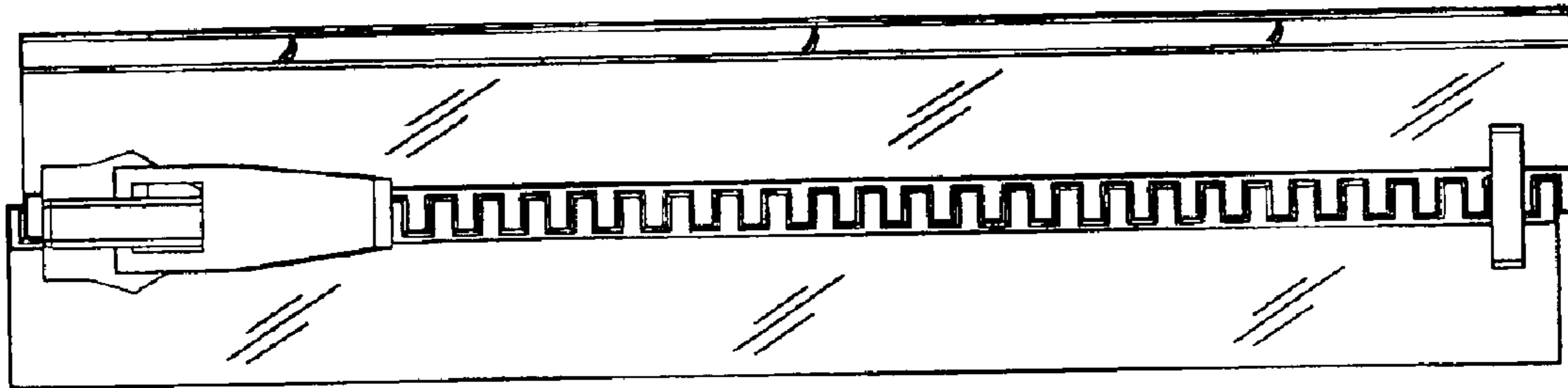


Fig. 2

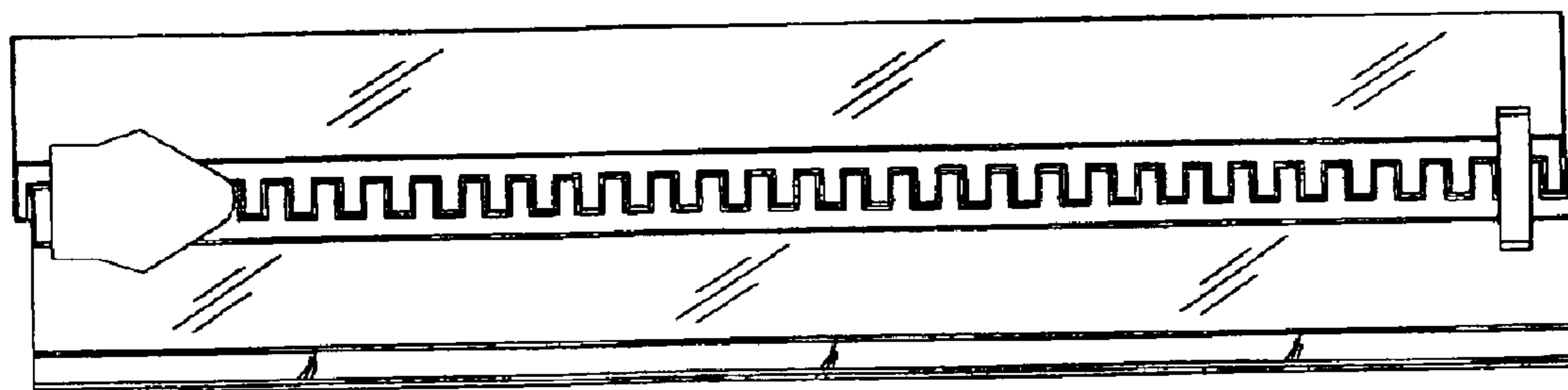


Fig. 3



Fig. 4



Fig. 5

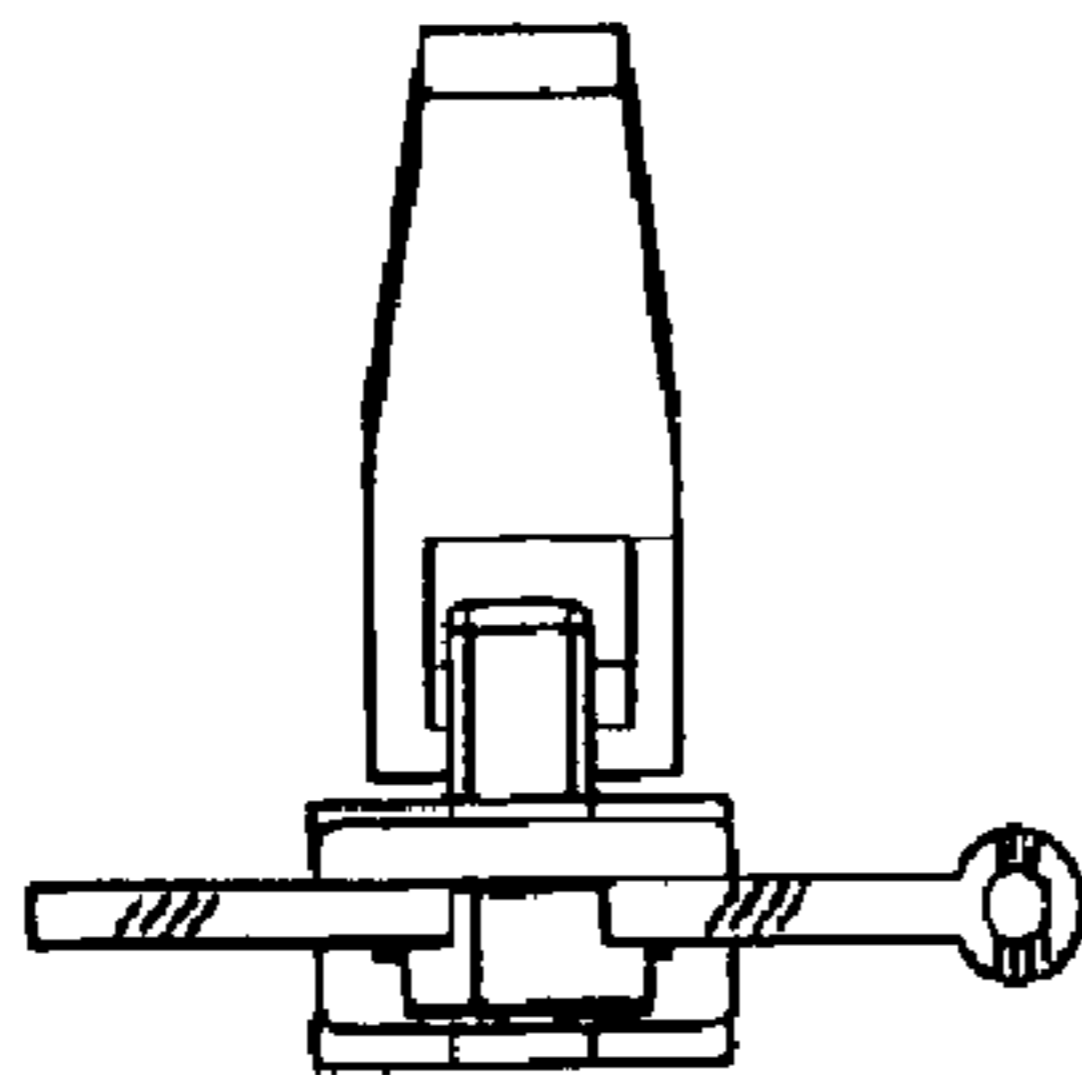


Fig. 6

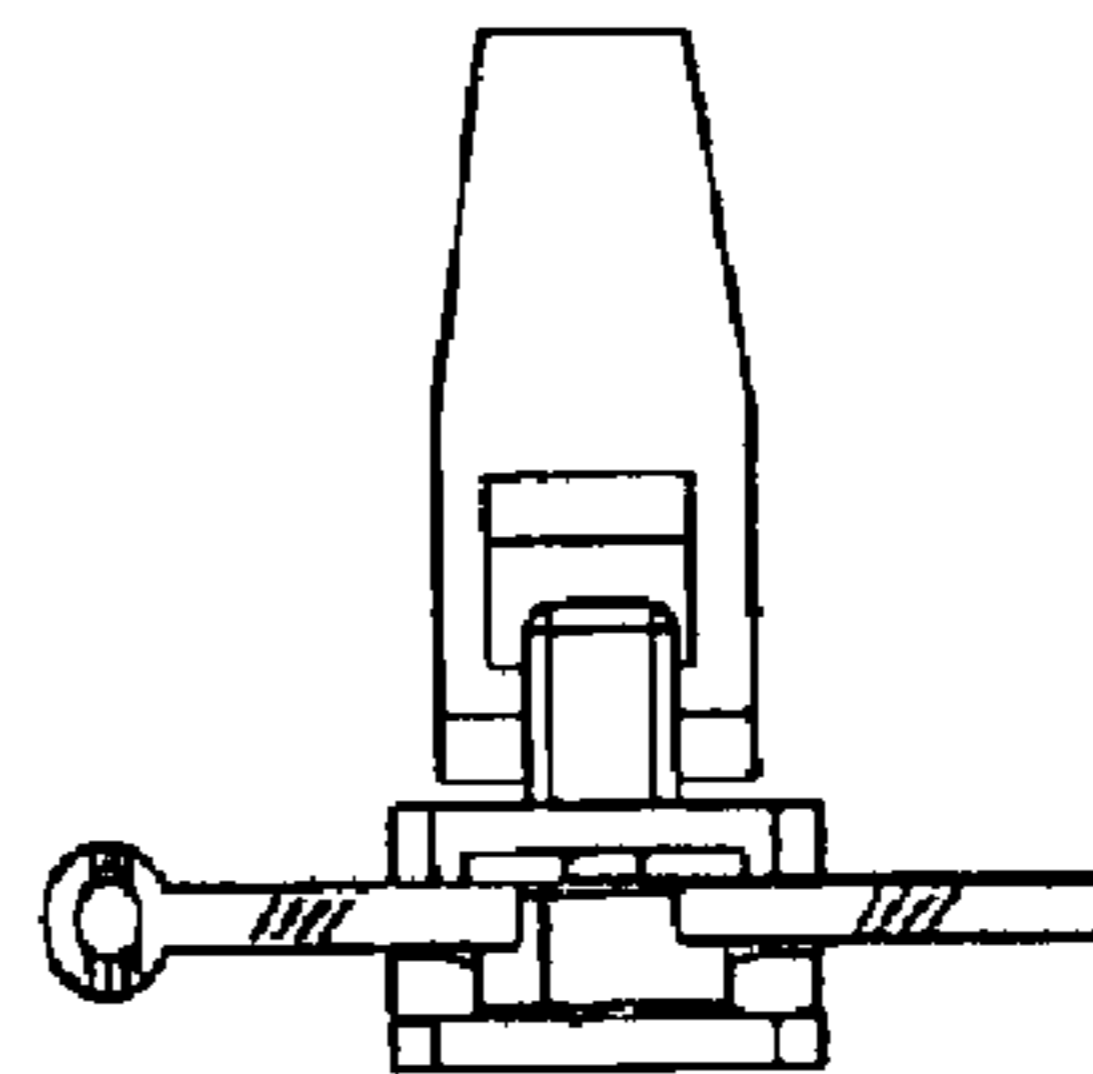


Fig. 7