



US00D509456S

(12) **United States Design Patent**
Ricci et al.

(10) **Patent No.:** **US D509,456 S**
(45) **Date of Patent:** **** Sep. 13, 2005**

(54) **BOTTLE OPENER RING**

(76) Inventors: **Robert Ricci**, 87 Woodsong Dr., North Scituate, RI (US) 02857; **Mark P. Olivo**, 57 Russell Dr., Johnston, RI (US) 02919

(**) **Term:** **14 Years**

(21) **Appl. No.:** **29/200,143**

(22) **Filed:** **Feb. 24, 2004**

(51) **LOC (8) Cl.** **11-01**

(52) **U.S. Cl.** **D11/26; D8/33; D8/40;**
81/3.09

(58) **Field of Search** D11/26-39, 3-4,
D11/89-92; 63/5.7-15.8, 15.9, 26, 27-28,
3, 14.1; 606/204; 81/3.09, 3.55, 3.41; 7/152;
D8/33, 40

(56) **References Cited**

U.S. PATENT DOCUMENTS

888,580 A	*	5/1908	Brinn	81/3.41
D53,436 S	*	6/1919	Clarke	D11/26
1,578,627 A	*	3/1926	Baumgarten	D11/28
2,548,517 A	*	4/1951	Clark	81/3.57
D266,312 S	*	9/1982	Lin	D11/39
4,667,544 A	*	5/1987	Milo	81/3.09
D291,050 S	*	7/1987	McIntire	D8/40
4,765,208 A	*	8/1988	Sakosky	81/3.55
4,825,728 A	*	5/1989	Mitchell	81/3.09
4,869,134 A	*	9/1989	Sprecher	81/3.09
D303,915 S	*	10/1989	Knutson	D8/18

5,029,495 A	*	7/1991	Rosenberger	81/3.09
D337,708 S	*	7/1993	Morris, Jr.	D8/34
5,257,566 A	*	11/1993	Schultz	81/3.55
D347,152 S	*	5/1994	Mohawk et al.	D8/40
5,329,832 A	*	7/1994	Tegethoff	81/3.55
5,347,890 A	*	9/1994	Rufkahr	81/3.55
D438,075 S	*	2/2001	Van Meter	D8/40
D454,765 S	*	3/2002	Jansson	D8/40
D467,144 S	*	12/2002	McClaning, Jr.	D8/40
6,742,414 B1	*	6/2004	Brailsford et al.	81/3.55
6,786,113 B2	*	9/2004	Brailsford et al.	81/3.55

* cited by examiner

Primary Examiner—Cathy Anne MacCormac

(74) *Attorney, Agent, or Firm*—Salter & Michaelson

(57) **CLAIM**

The ornamental design for a bottle opener ring, as shown and described.

DESCRIPTION

FIG. 1 is a perspective view of a bottle opener ring, showing our new design;

FIG. 2 is a front elevational view thereof;

FIG. 3 is a rear elevational view thereof;

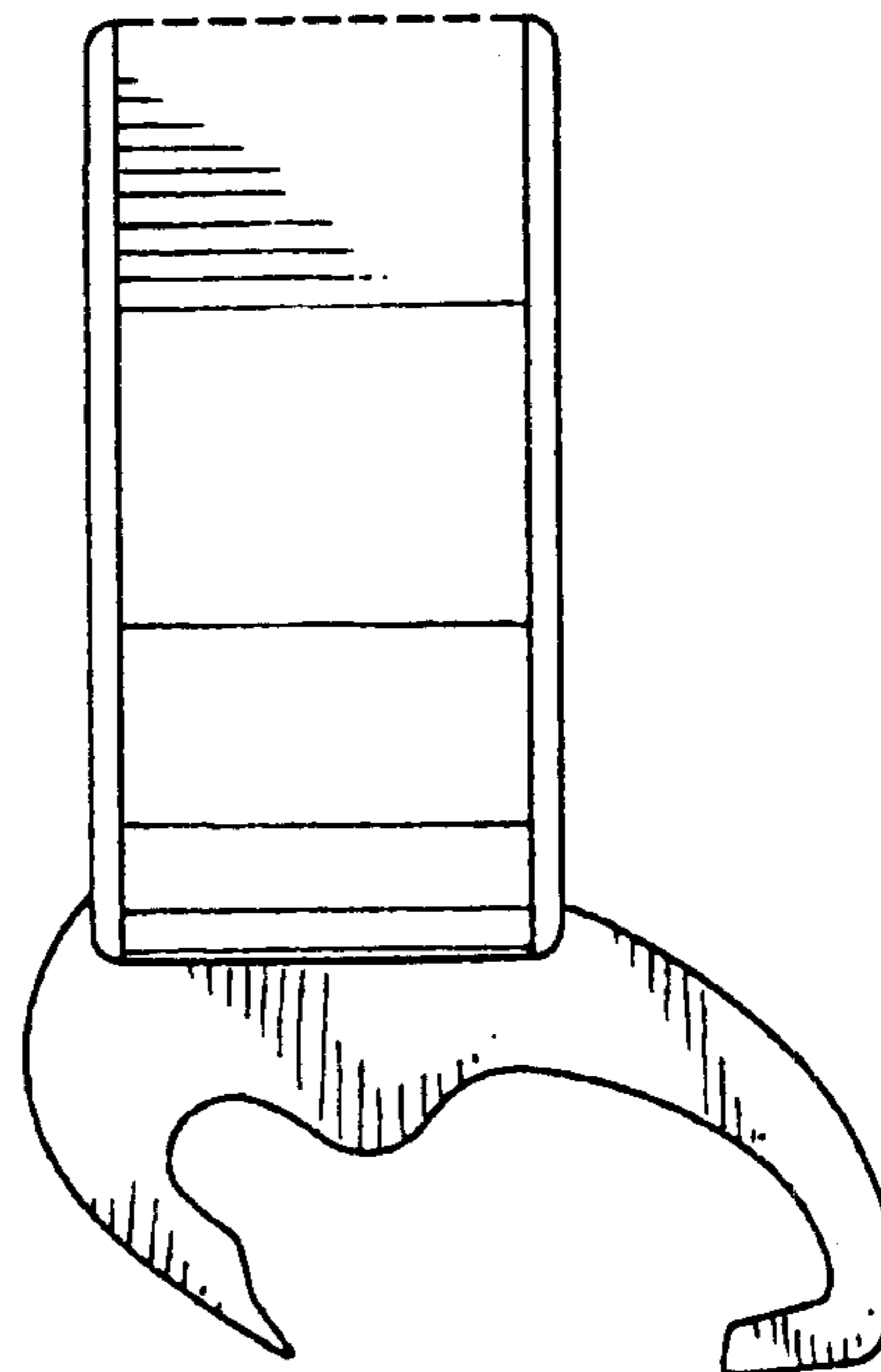
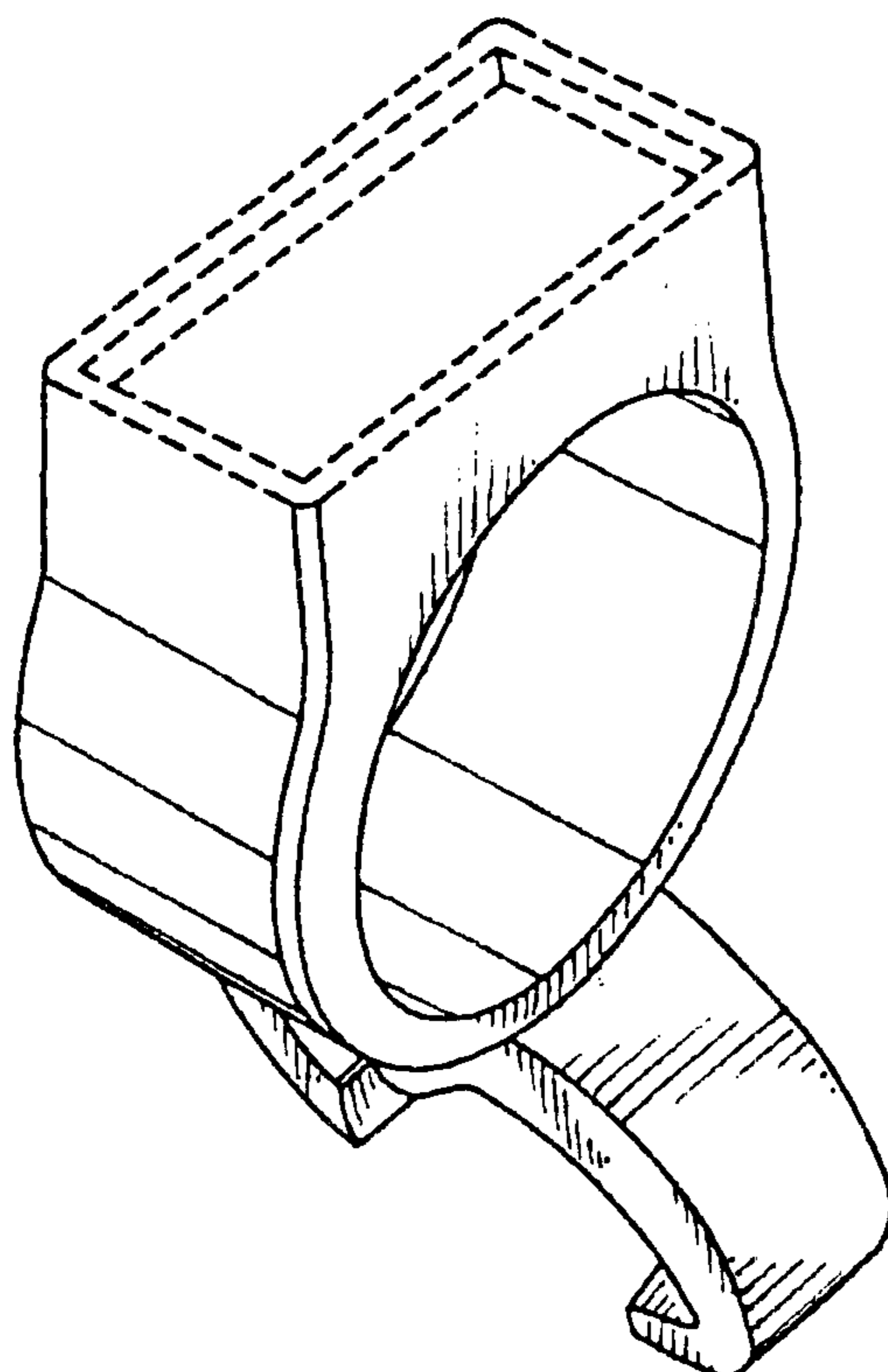
FIG. 4 is a top plan view thereof;

FIG. 5 is a bottom plan view thereof; and,

FIG. 6 is a right side elevational view thereof, the left side elevational view being a mirror image thereof.

The broken lines are for illustrative purposes only and form no part of the claimed design.

1 Claim, 2 Drawing Sheets



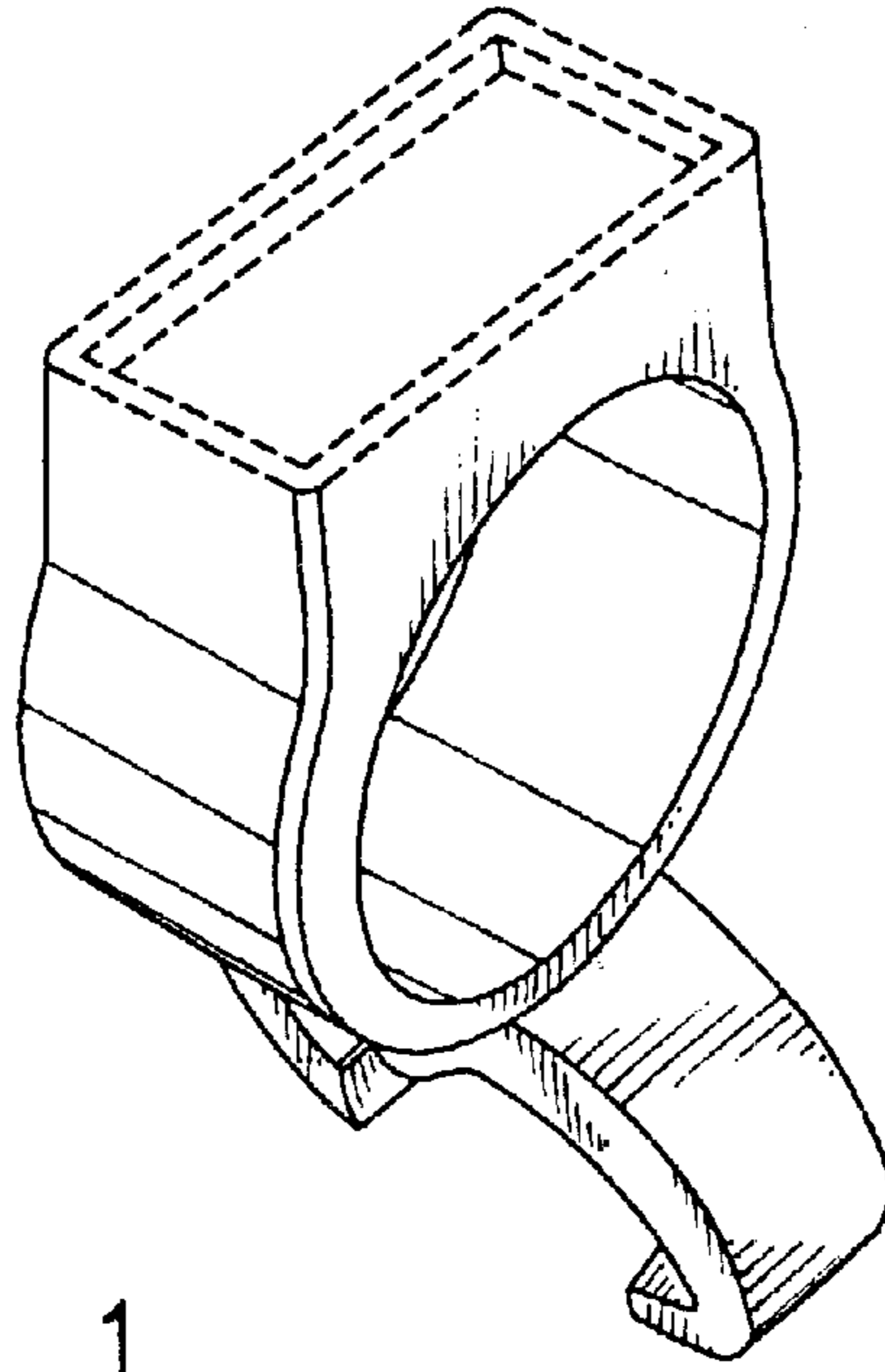


FIG. 1

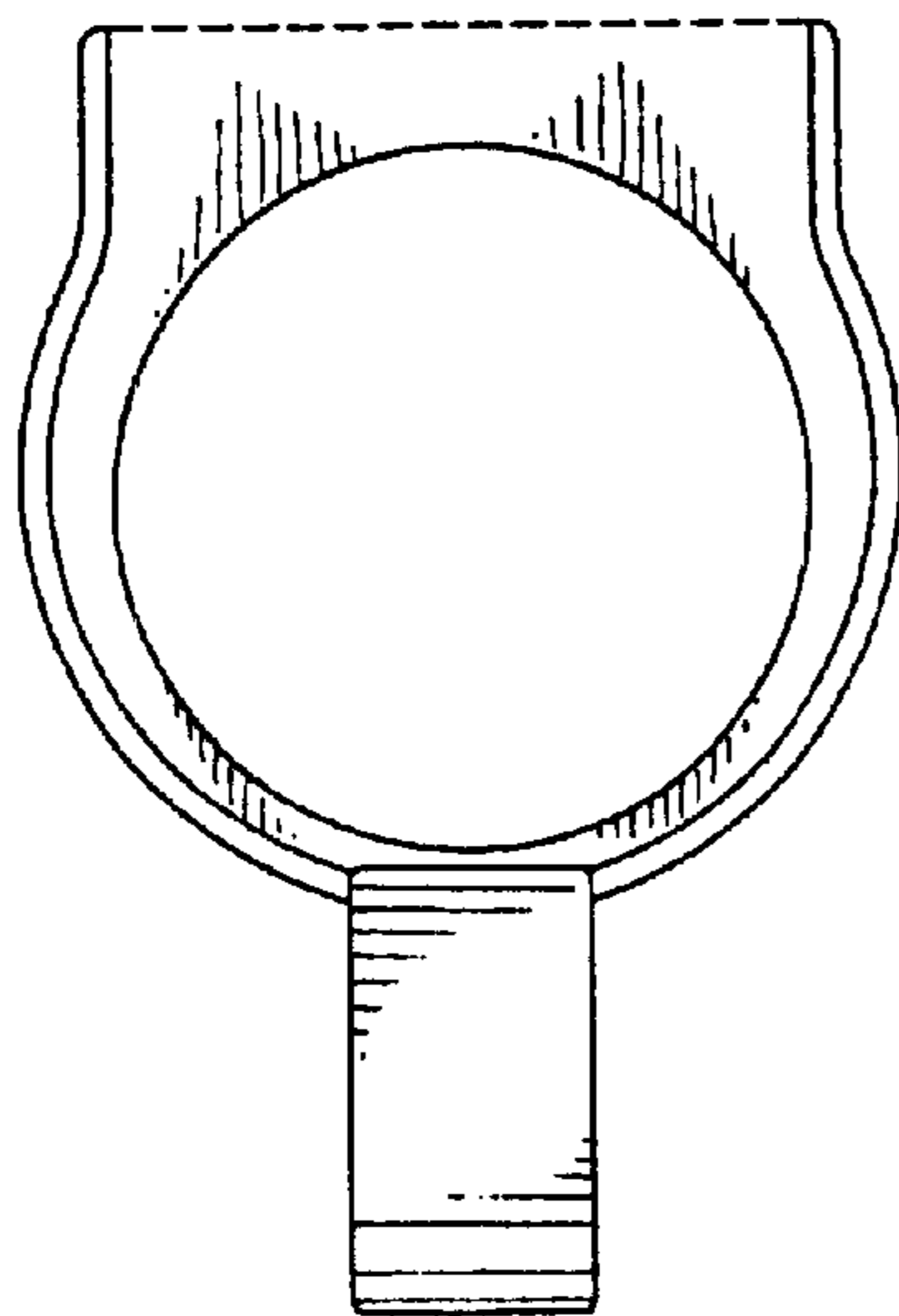


FIG. 2

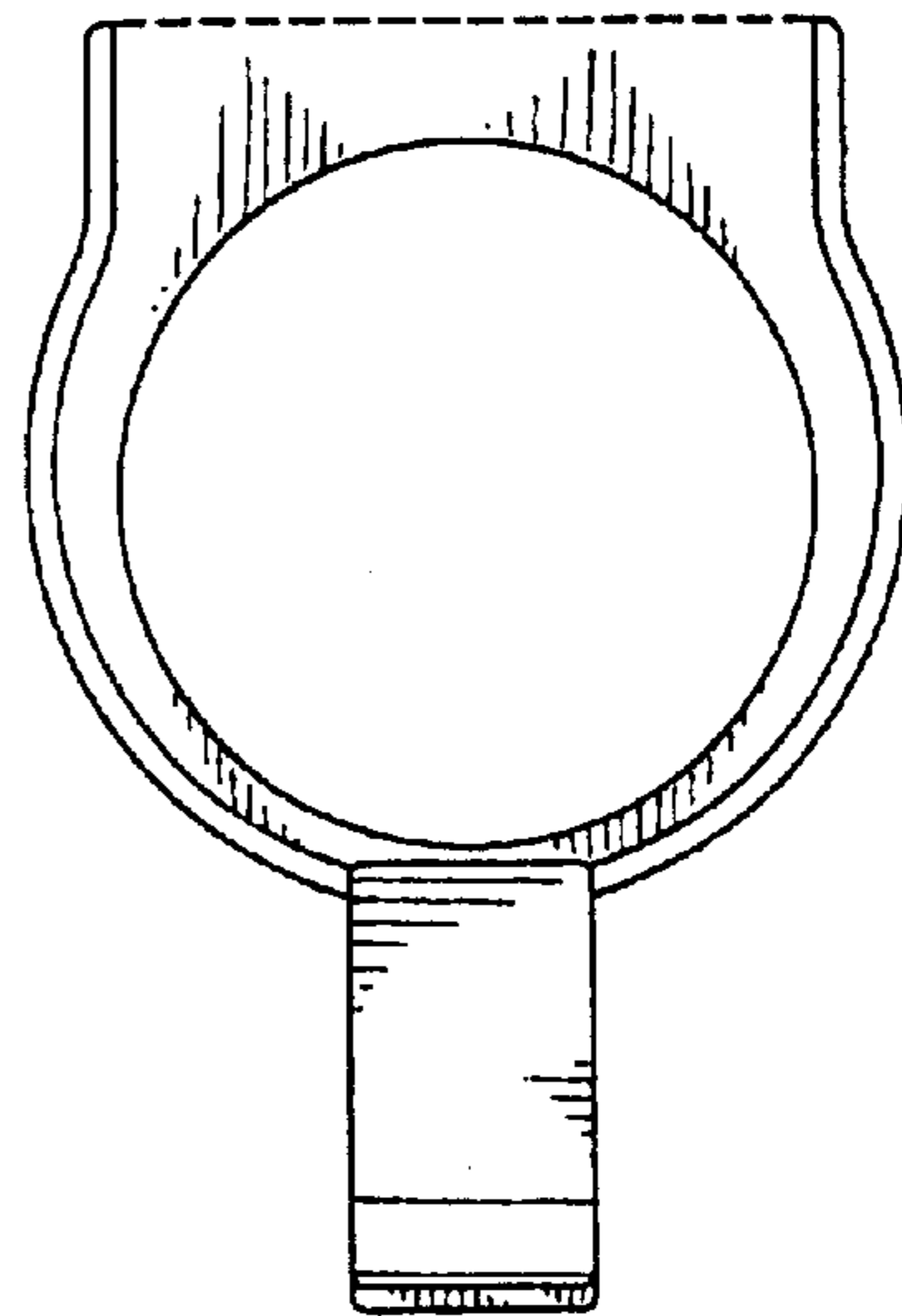


FIG. 3

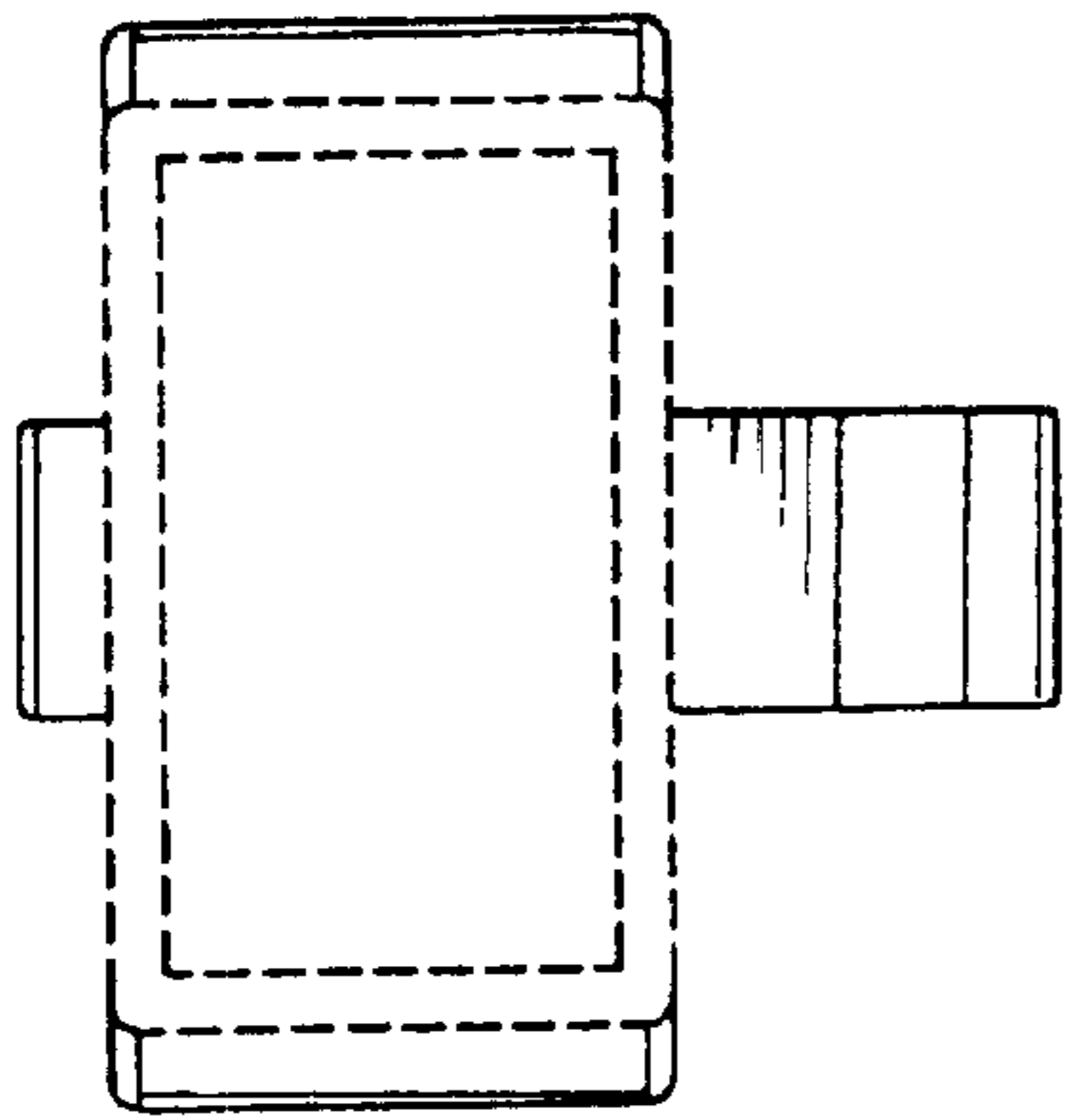


FIG. 4

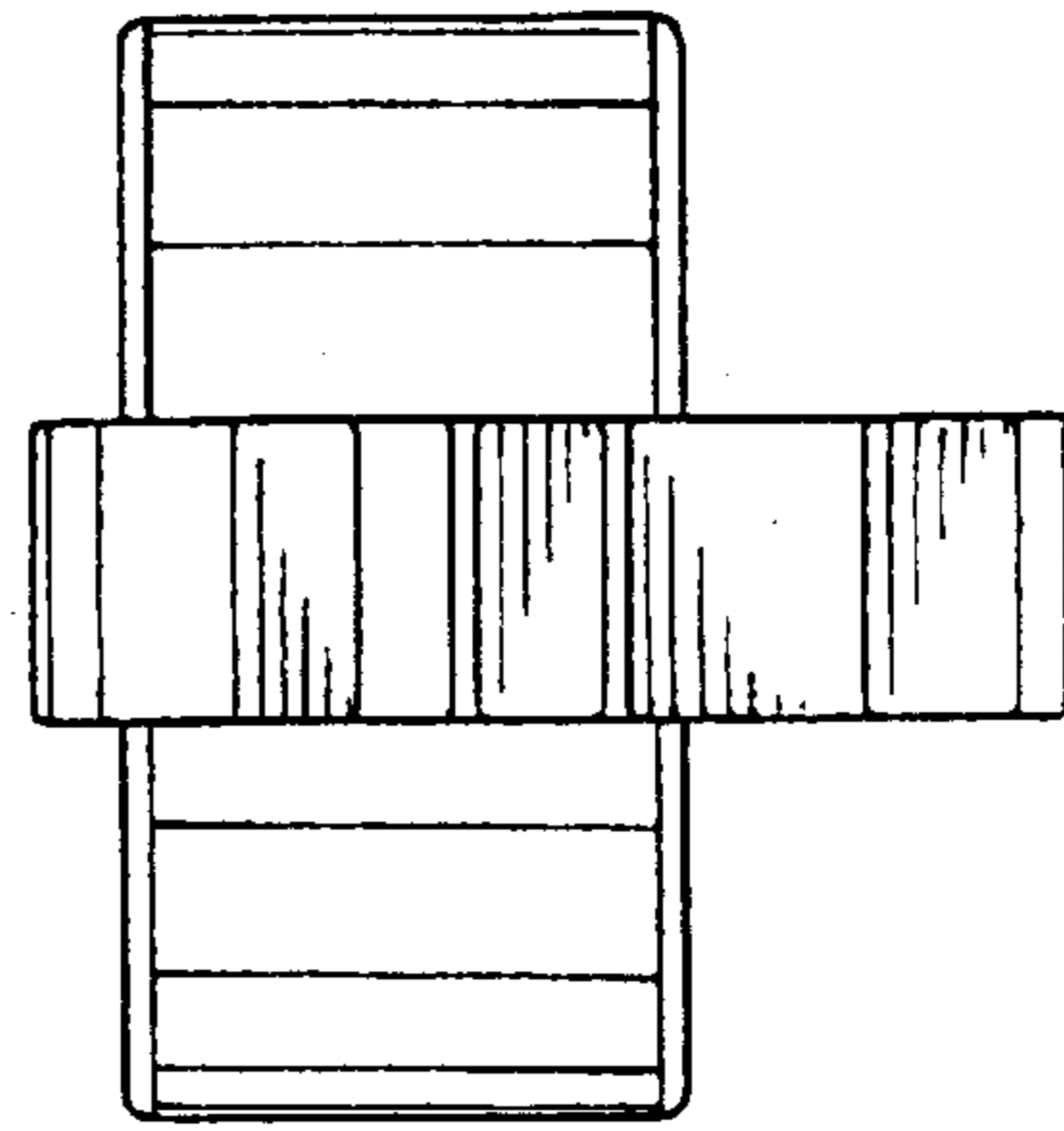


FIG. 5

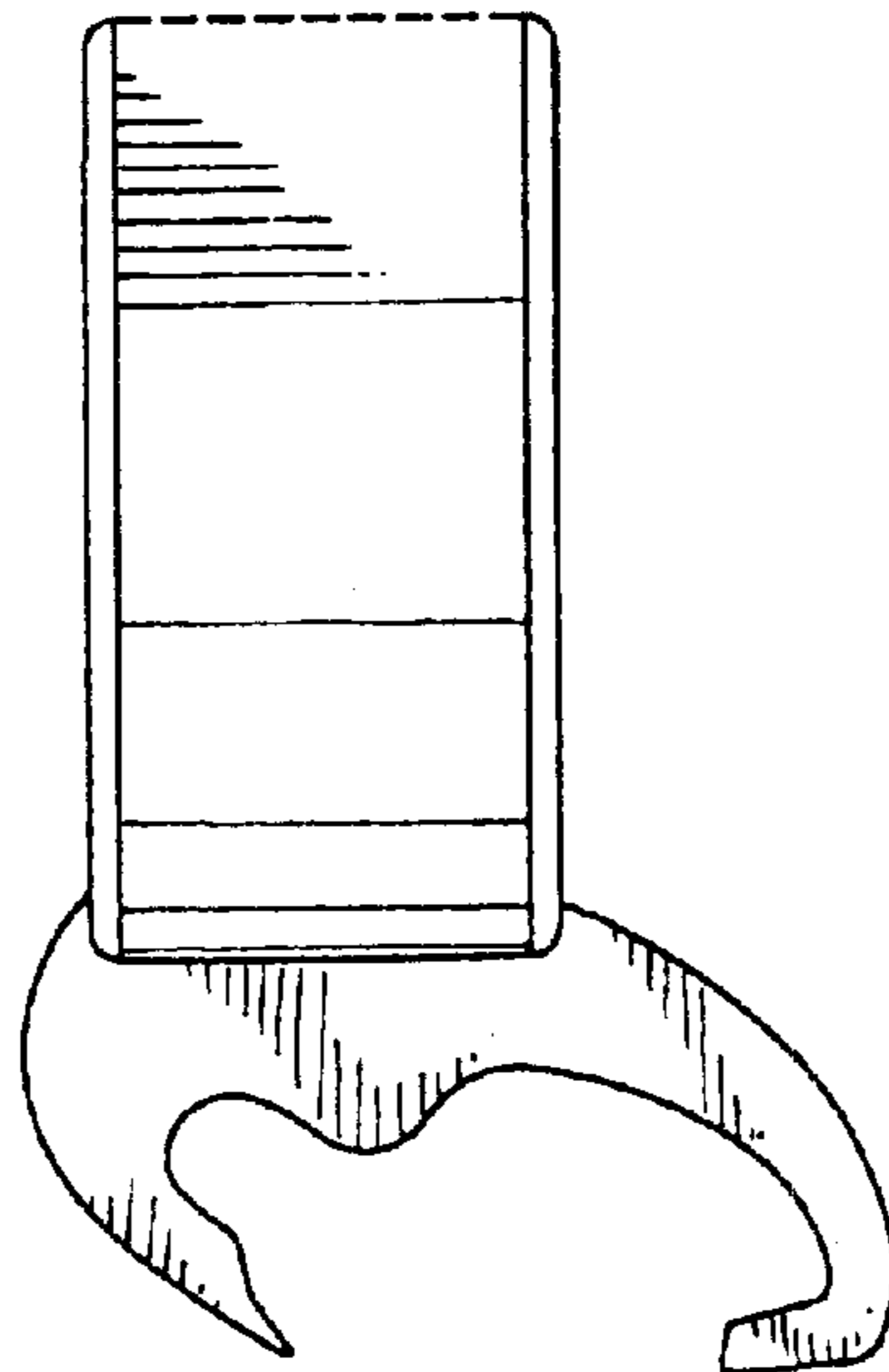


FIG. 6