

US00D509455S

(12) **United States Design Patent**
Nordahl

(10) **Patent No.:** **US D509,455 S**

(45) **Date of Patent:** **** Sep. 13, 2005**

(54) **ADJUSTABLE WINDOW LOCKING DEVICE INCLUDING ALARM**

(76) **Inventor:** **Eric T. Nordahl**, 3721 Laurent, Valley Springs, CA (US) 95252

(**) **Term:** **14 Years**

(21) **Appl. No.:** **29/197,640**

(22) **Filed:** **Jan. 20, 2004**

(51) **LOC (8) Cl.** **10-05**

(52) **U.S. Cl.** **D10/106**

(58) **Field of Search** D10/106, 75, 109, D10/114; D8/356; D26/138; 292/263, 262, 258, 148, 339

4,653,785 A *	3/1987	Tobey	292/258
4,699,407 A *	10/1987	Fortier	292/263
4,792,168 A *	12/1988	Kardosh	292/288
4,896,139 A	1/1990	Eldridge		
D328,440 S *	8/1992	Harper	D10/106
D336,535 S *	6/1993	Maglica et al.	D26/138
5,234,239 A *	8/1993	Allenbaugh	292/258
D343,804 S	2/1994	Sims		
5,547,236 A *	8/1996	Gregory	292/148
5,552,768 A	9/1996	Mikiel et al.		
D378,745 S *	4/1997	Hollis	D10/109
D395,409 S *	6/1998	Girona et al.	D10/109
5,872,514 A	2/1999	Neas		
D410,588 S *	6/1999	Camposeo et al.	D10/114
6,388,572 B1	5/2002	Salter		
2004/0070218 A1 *	4/2004	Smith	292/339

* cited by examiner

Primary Examiner—Joel A. Sincavage
Assistant Examiner—Austin Murphy

(56) **References Cited**

U.S. PATENT DOCUMENTS

598,405 A *	2/1898	Williams	292/339
2,256,588 A *	9/1941	Beaman	49/67
2,506,508 A *	5/1950	Myros	292/288
3,480,912 A *	11/1969	Speeth et al.	368/197
3,797,005 A *	3/1974	Schwarz	340/542
3,821,884 A *	7/1974	Walsh	70/95
3,825,290 A *	7/1974	Messina et al.	292/262
4,139,227 A *	2/1979	Spurr	292/339
4,149,156 A	4/1979	Blasucci		
4,193,067 A *	3/1980	Hawkins	340/546
D255,212 S *	6/1980	Weigand et al.	D8/331
D258,864 S *	4/1981	Muller	D8/356
4,472,709 A	9/1984	White		
4,483,558 A *	11/1984	Van Meter	292/339
4,570,985 A *	2/1986	Waldo et al.	292/262

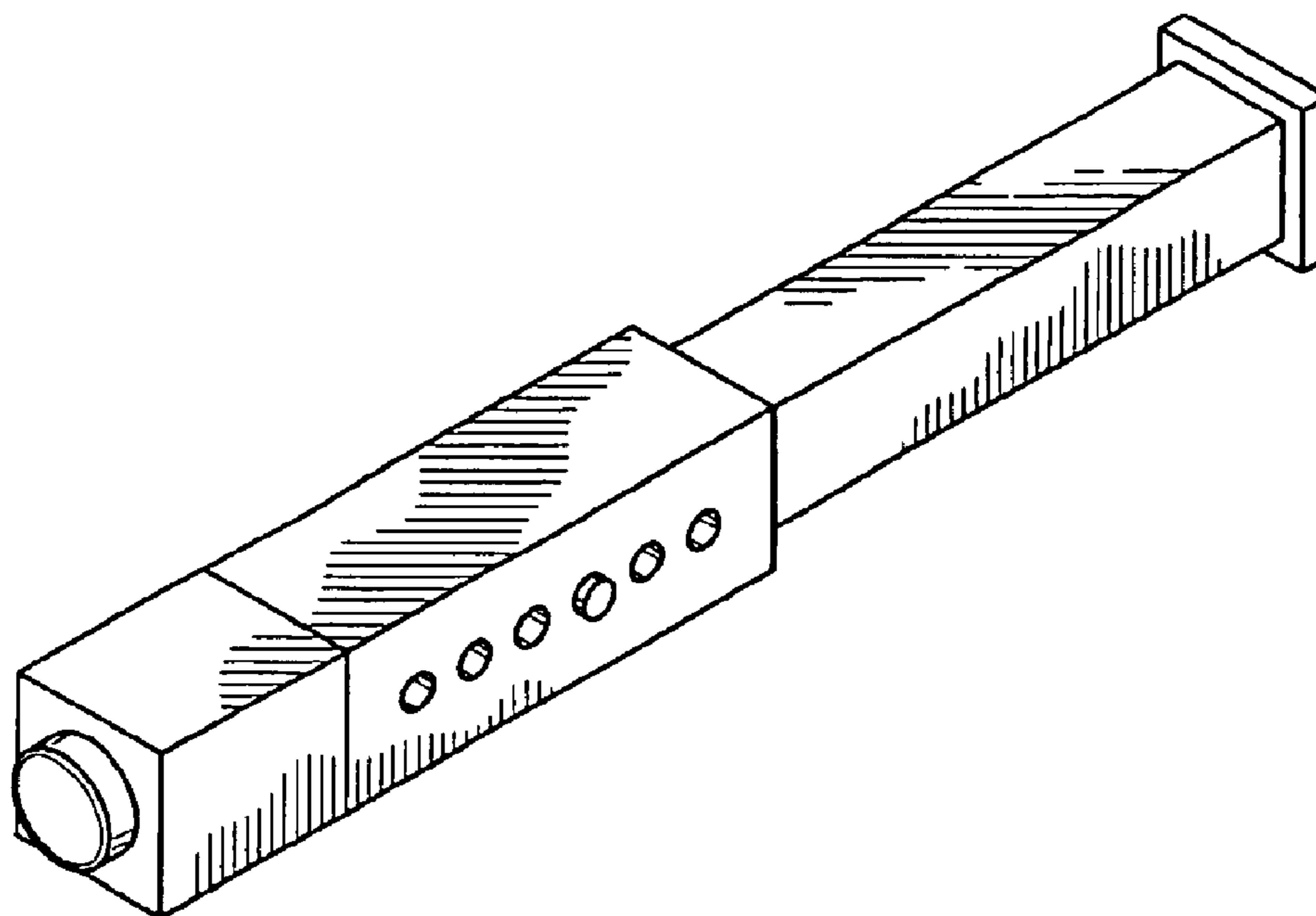
(57) **CLAIM**

The ornamental design for a adjustable window locking device including alarm, as shown and described.

DESCRIPTION

FIG. 1 is a left side elevational view of a adjustable window locking device including alarm showing my new design; FIG. 2 is a right side elevational view thereof; FIG. 3 is a rear elevational view thereof; FIG. 4 is a front elevational view thereof; FIG. 5 is a bottom plan view thereof; and, FIG. 6 is a perspective view thereof.

1 Claim, 2 Drawing Sheets



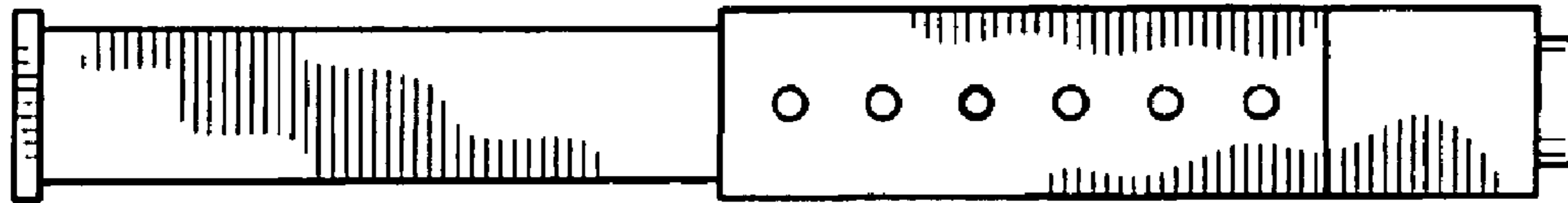


FIG. 1

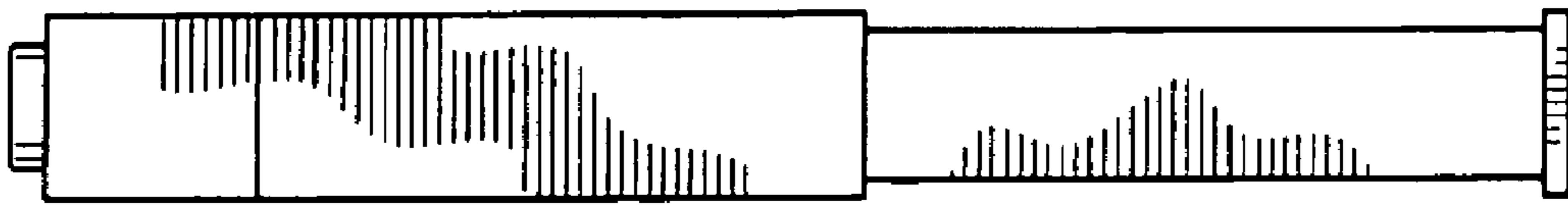


FIG. 2

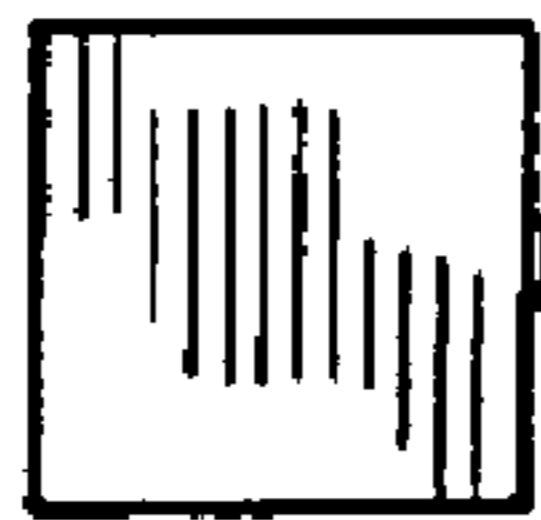


FIG. 3

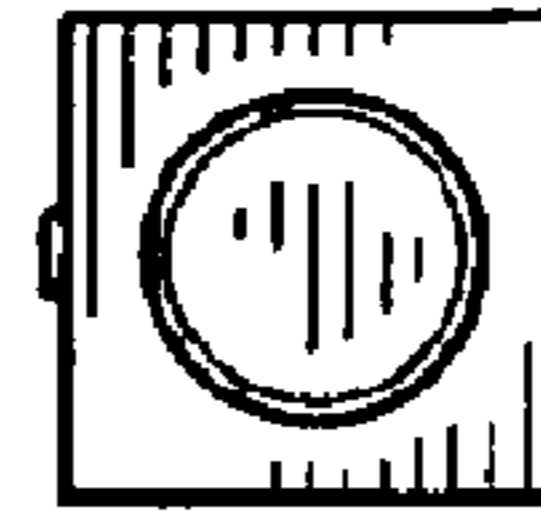


FIG. 4

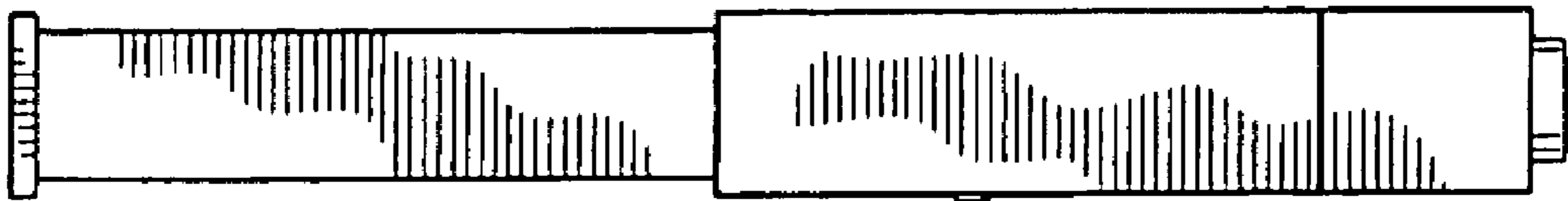


FIG. 5

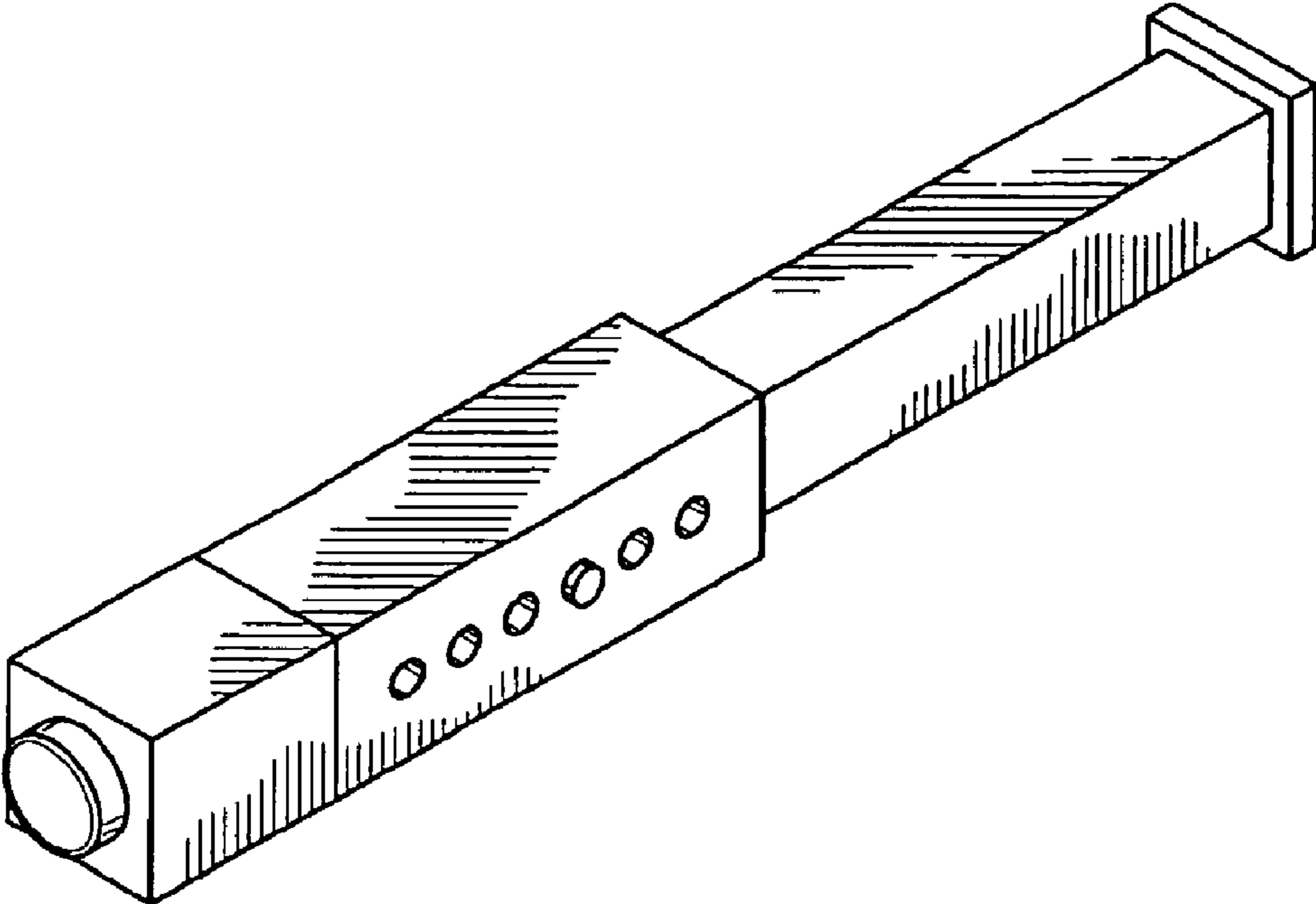


FIG.6