



US00D509453S

(12) **United States Design Patent**
Lopano

(10) **Patent No.:** **US D509,453 S**
(45) **Date of Patent:** **** Sep. 13, 2005**

- (54) **LASER LEVEL**
- (75) Inventor: **Daniel N. Lopano**, Towson, MD (US)
- (73) Assignee: **Black & Decker Inc.**, Newark, DE (US)
- (**) Term: **14 Years**
- (21) Appl. No.: **29/213,371**
- (22) Filed: **Sep. 16, 2004**

- D418,432 S * 1/2000 Krantz D10/69
- 6,128,326 A * 10/2000 Kousek et al. 356/247
- 6,184,979 B1 * 2/2001 Hirano et al. 356/247
- 6,332,694 B1 * 12/2001 Chih-Hsiung 362/259
- D461,135 S * 8/2002 Watson et al. D10/69
- D464,578 S * 10/2002 Zurwelle D10/69

* cited by examiner

Primary Examiner—Antoine D. Davis
(74) *Attorney, Agent, or Firm*—Adan Ayala

(57) **CLAIM**

The ornamental design for a laser level, as shown and described.

Related U.S. Application Data

- (63) Continuation of application No. 29/201,635, filed on Mar. 18, 2004, now Pat. No. Des. 498,687.
- (51) **LOC (8) Cl.** **10-04**
- (52) **U.S. Cl.** **D10/69**
- (58) **Field of Search** D10/65, 69; 33/285, 33/286, 290, 291, DIG. 2, 365–390, 348.2; 356/247–249; 362/259

DESCRIPTION

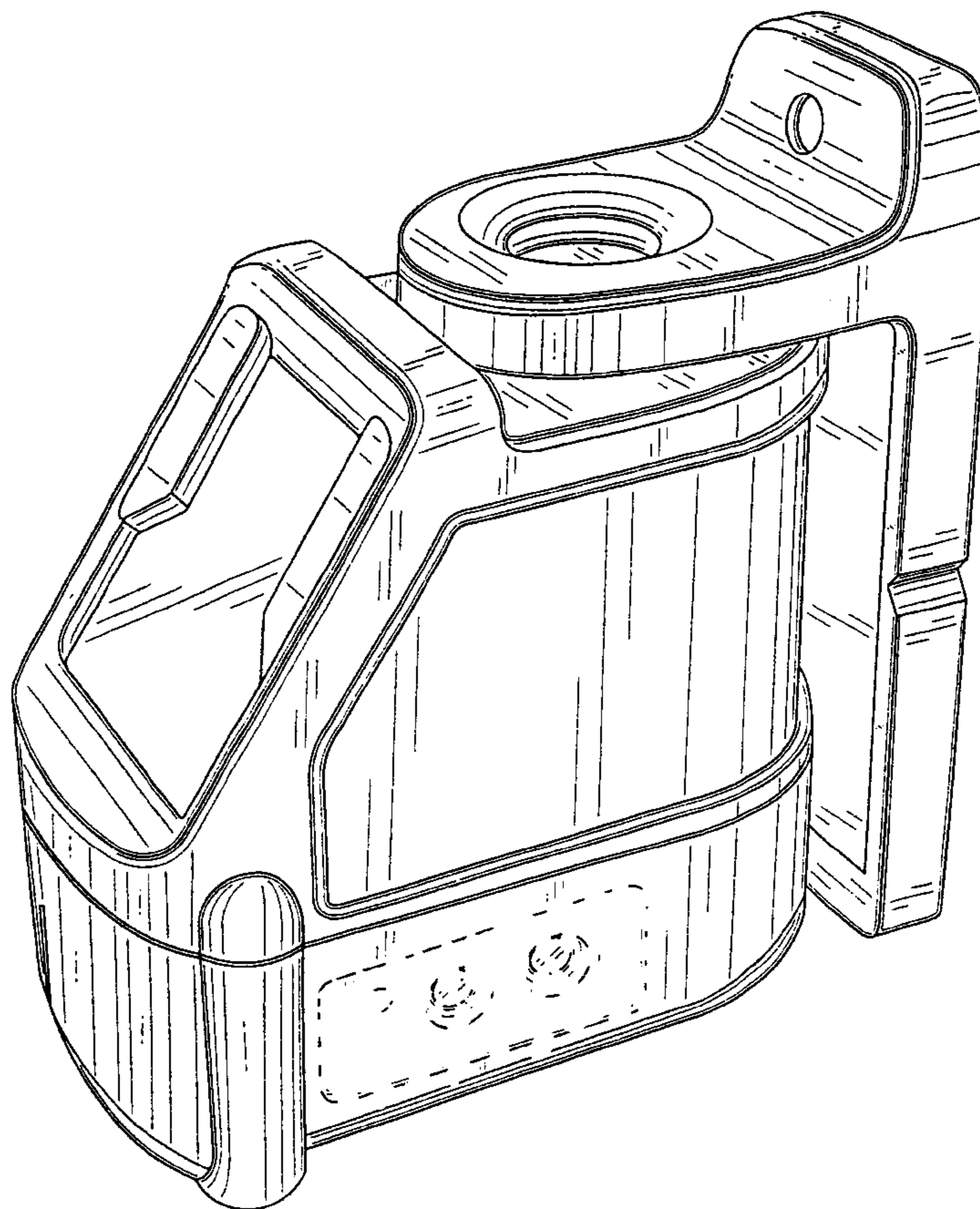
FIG. 1 is a perspective view of an embodiment of a laser level according to the invention.
 FIG. 2 is a front elevational view of the embodiment.
 FIG. 3 is a rear elevational view of the embodiment.
 FIG. 4 is a left elevational view of the embodiment.
 FIG. 5 is a right elevational view of the embodiment.
 FIG. 6 is a top plan view of the embodiment; and,
 FIG. 7 is a bottom plan view of the embodiment.
 In the above drawings, any broken line illustration is no part of the design sought to be patented.

(56) **References Cited**

U.S. PATENT DOCUMENTS

- 5,907,907 A * 6/1999 Ohtomo et al. 33/291
- 5,946,087 A * 8/1999 Kasori et al. 356/249
- 5,967,645 A * 10/1999 Anderson 362/259

1 Claim, 7 Drawing Sheets



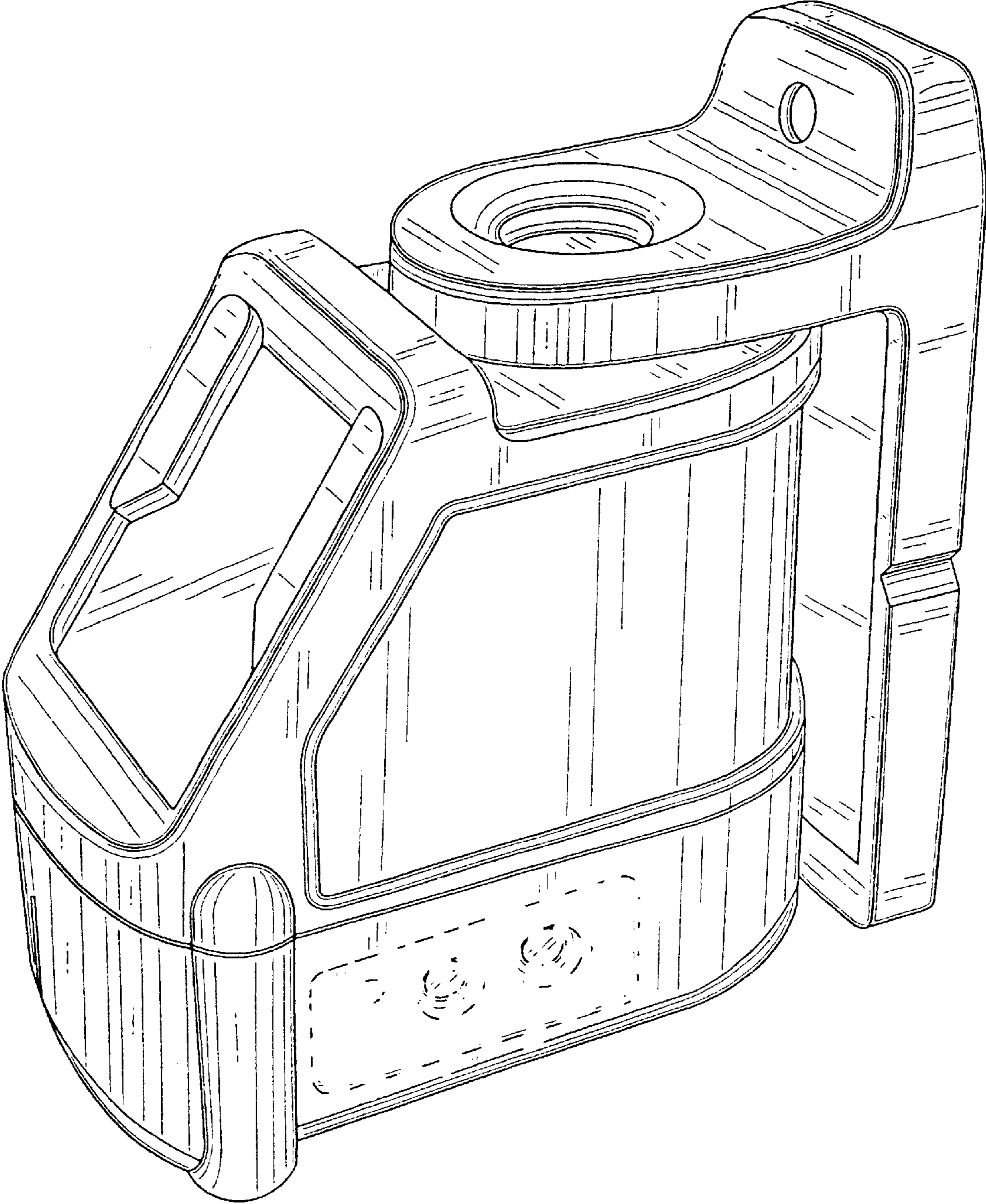


FIG. 1

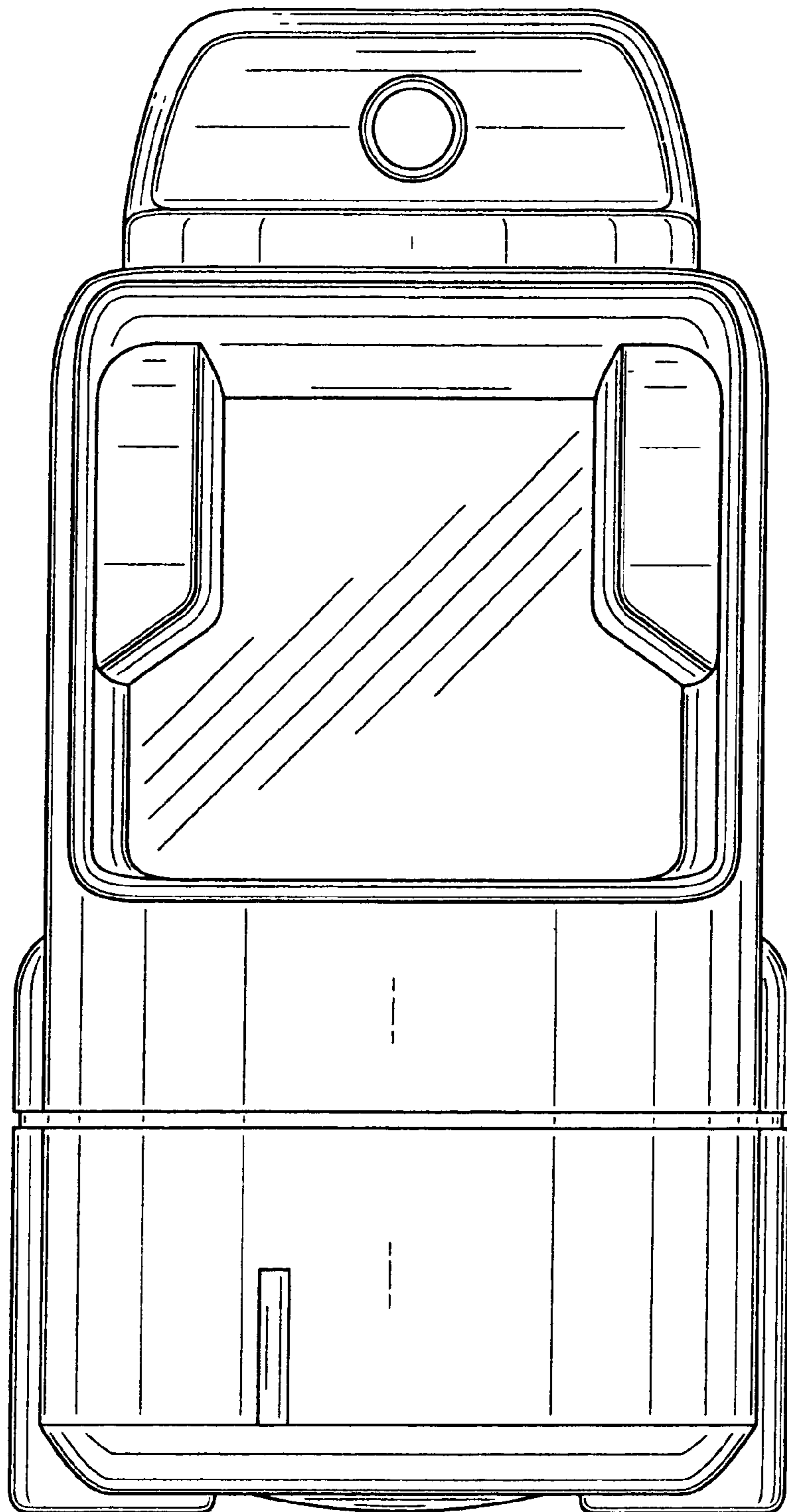


FIG. 2

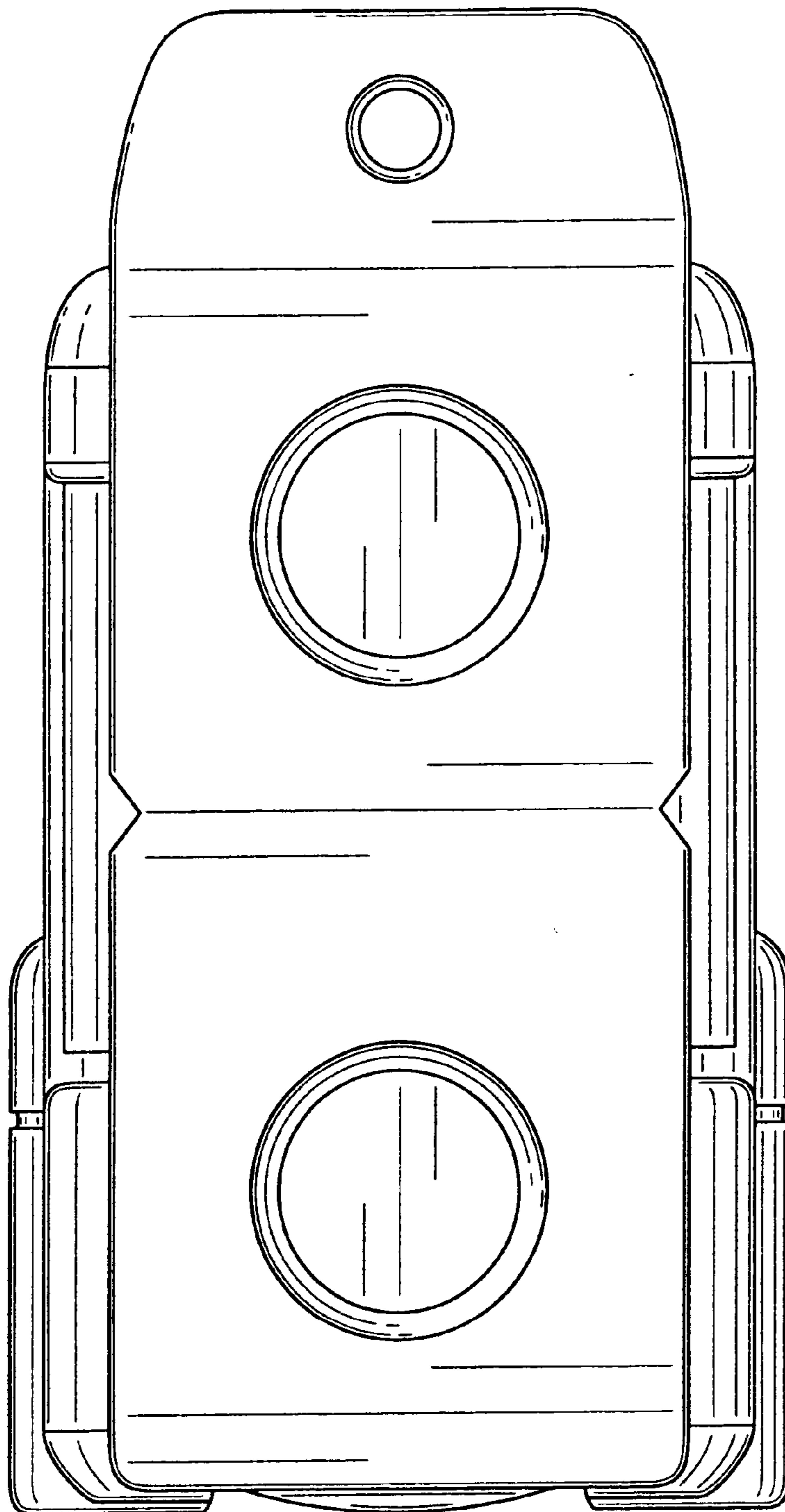


FIG. 3

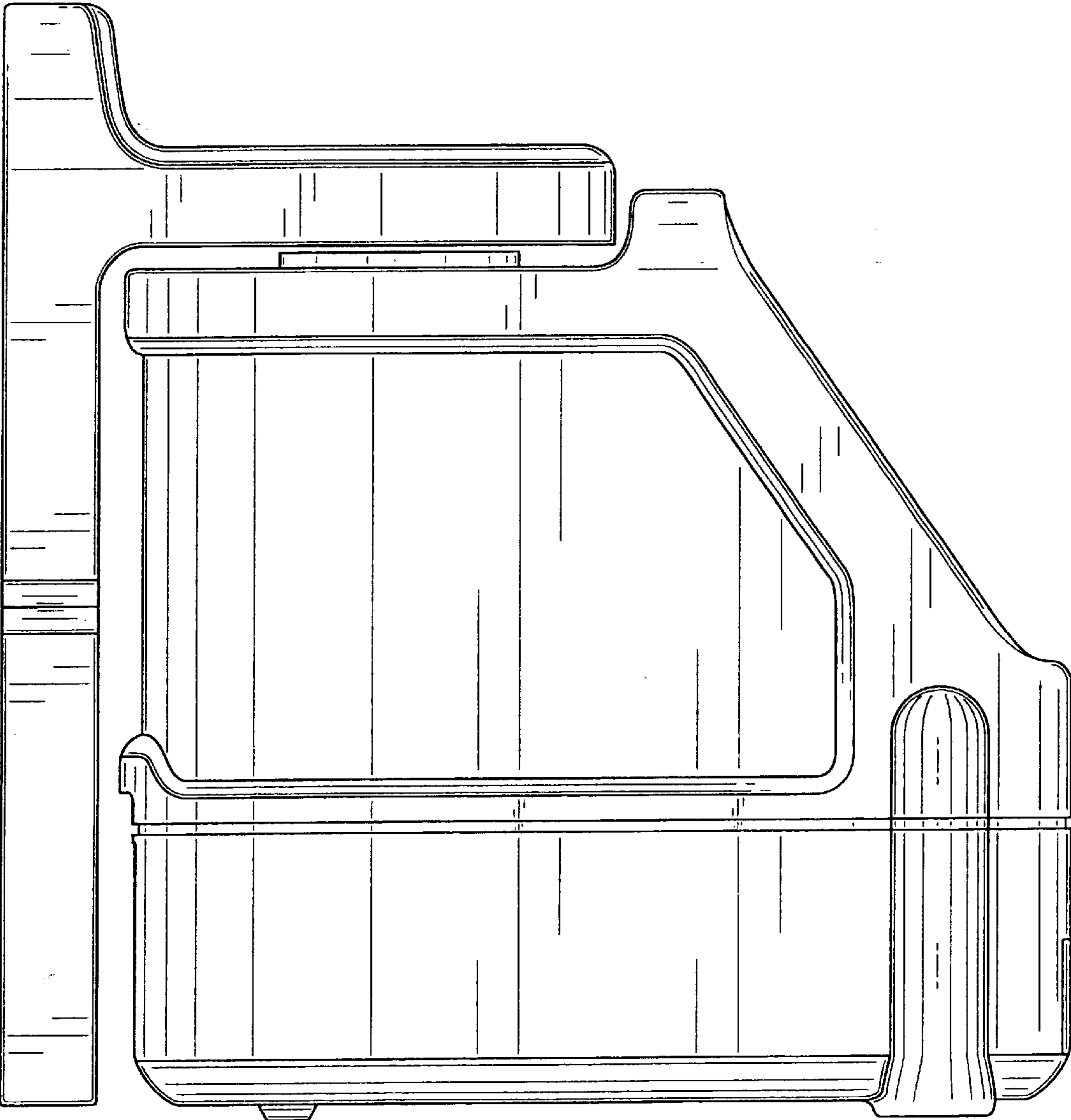


FIG. 4

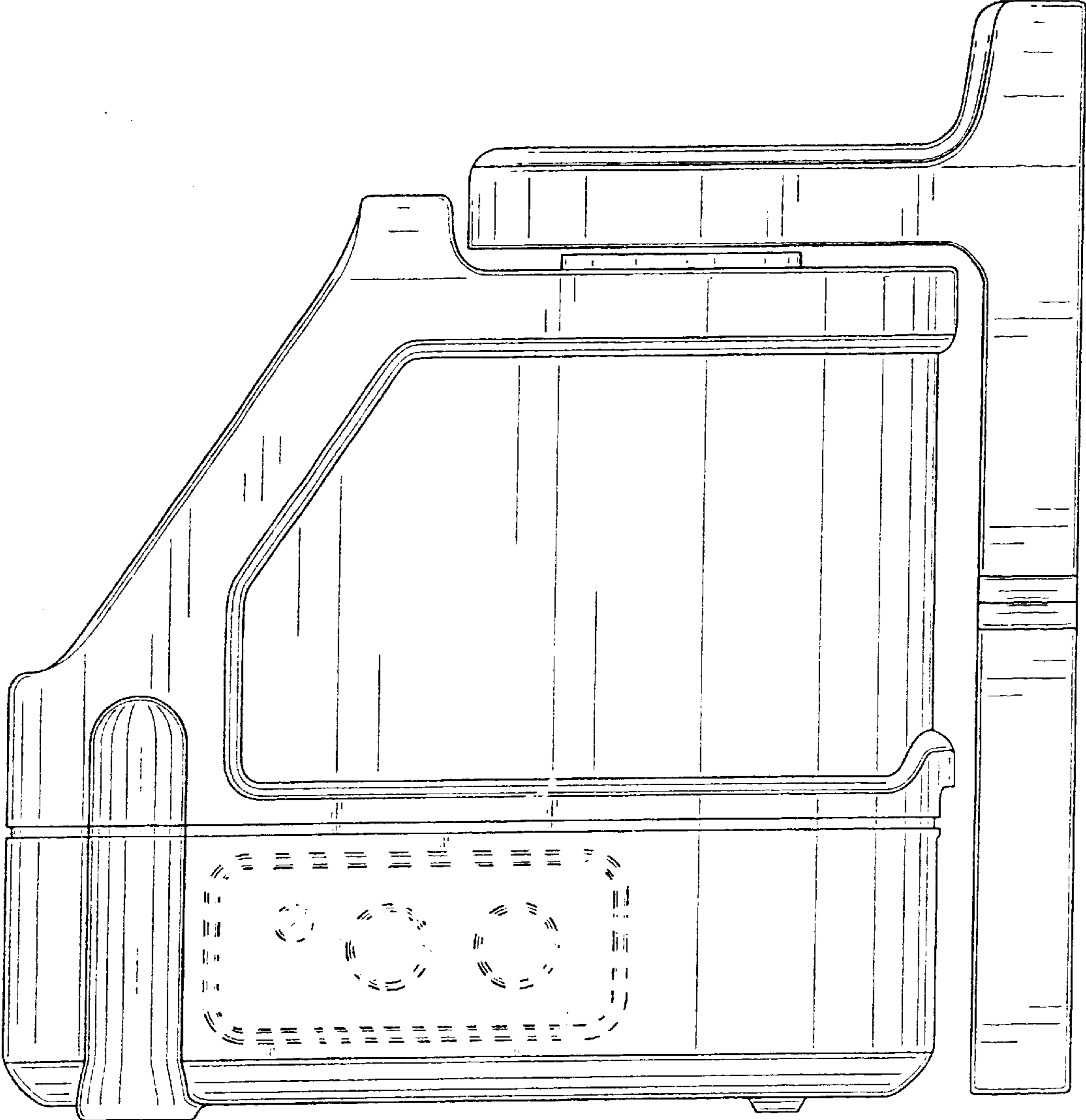


FIG. 5

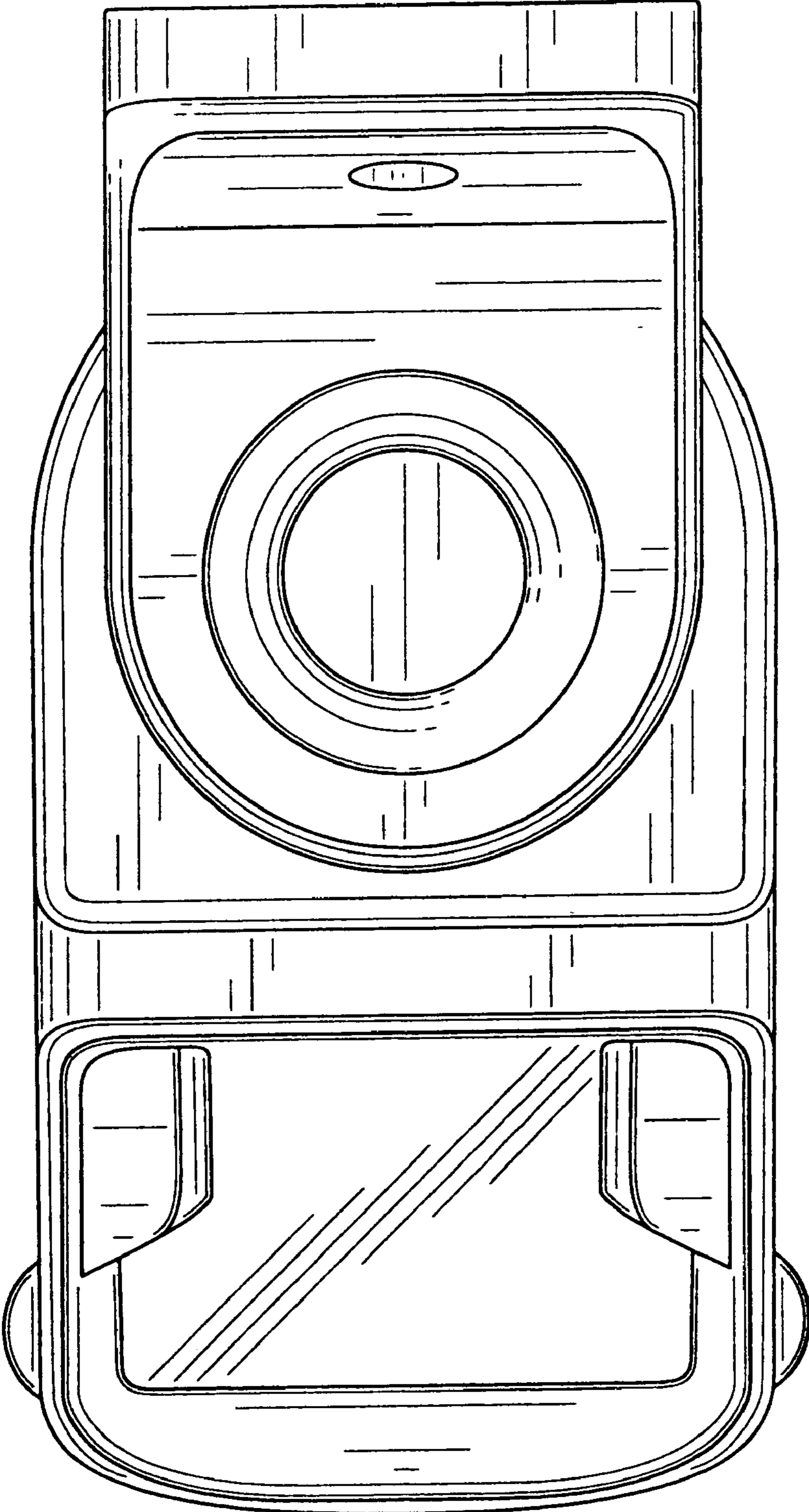


FIG. 6

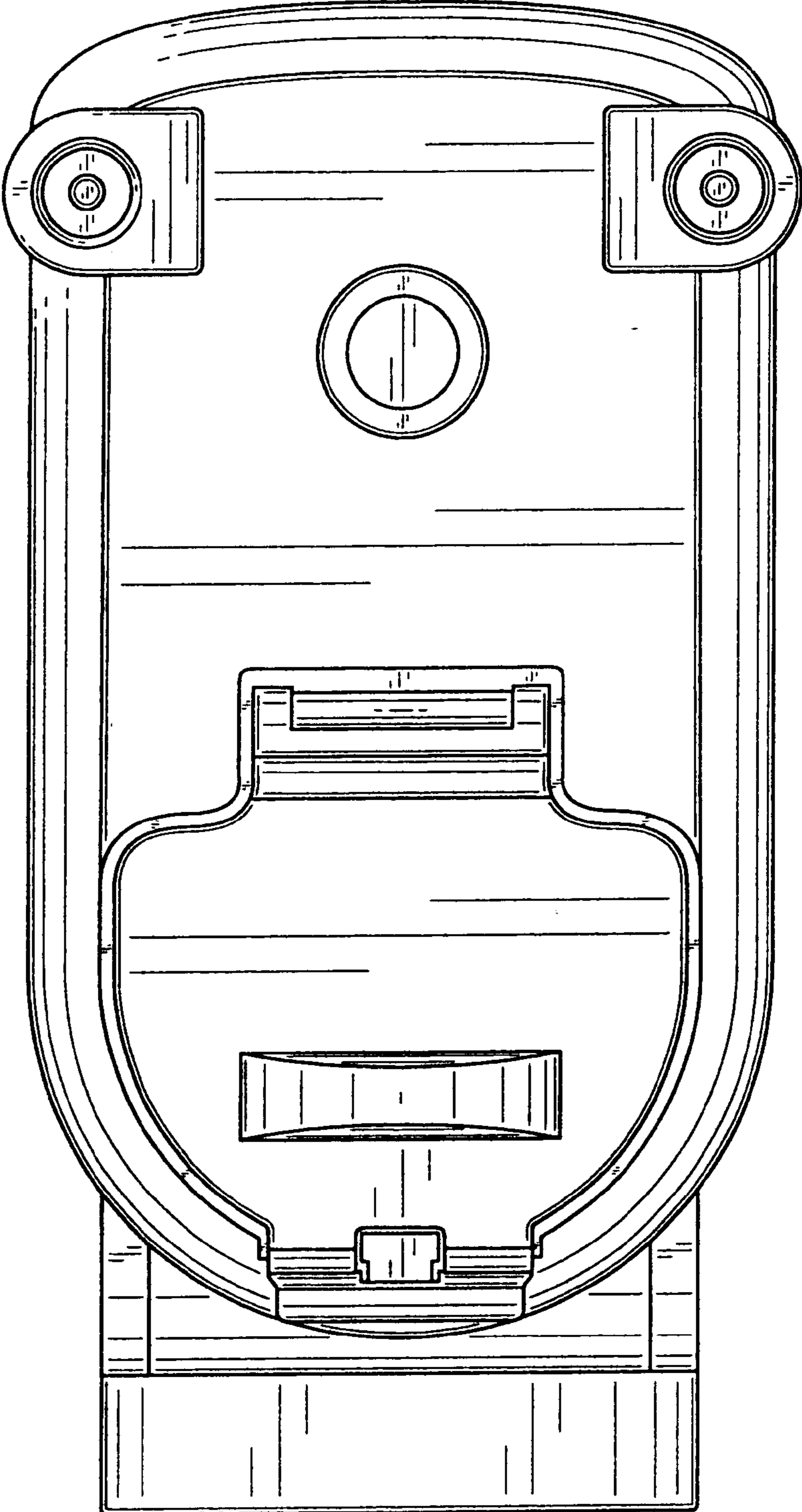


FIG. 7