

US00D509452S

(12) **United States Design Patent**
Morikawa et al.

(10) **Patent No.:** **US D509,452 S**

(45) **Date of Patent:** **** Sep. 13, 2005**

(54) **TEMPERATURE SENSOR**

6,564,545 B1 * 5/2003 Dong 60/289
6,640,758 B2 * 11/2003 Ashida 123/90.15

(75) Inventors: **Akihiko Morikawa**, Tokyo (JP);
Harumasa Shibata, Tokyo (JP)

FOREIGN PATENT DOCUMENTS

(73) Assignee: **Mitsubishi Denki Kabushiki Kaisha**,
Tokyo (JP)

JP 4-1222826 A 4/1992

(**) Term: **14 Years**

* cited by examiner

Primary Examiner—Antoine D. Davis
(74) *Attorney, Agent, or Firm*—Sughrue Mion, PLLC

(21) Appl. No.: **29/202,782**

(57) **CLAIM**

(22) Filed: **Apr. 6, 2004**

The ornamental design for a temperature sensor, as shown and described.

(30) **Foreign Application Priority Data**

DESCRIPTION

Oct. 8, 2003 (JP) 2003-029705

(51) **LOC (8) Cl.** **10-04**

FIG. 1 is a front, top and left side perspective view of a temperature sensor, showing our new design;
FIG. 2 is a front elevational view thereof;
FIG. 3 is a rear elevational view thereof;
FIG. 4 is a top plan view thereof;
FIG. 5 is a bottom plan view thereof;
FIG. 6 is a right side elevational view thereof;
FIG. 7 is a left side elevational view thereof; and,
FIG. 8 is a cross-sectional view thereof, taken along line 8—8 of FIG. 7, with the internal system omitted.

(52) **U.S. Cl.** **D10/52**

(58) **Field of Search** 60/289, 298, 320,
60/599; 123/90.15–90.31, 41.29–41.44,
563, 145.5 R, 556; 165/51–52; D10/52,
60

(56) **References Cited**

U.S. PATENT DOCUMENTS

D343,130 S * 1/1994 Gambill et al. D10/52
6,499,298 B2 * 12/2002 Uzkan 60/599

1 Claim, 4 Drawing Sheets

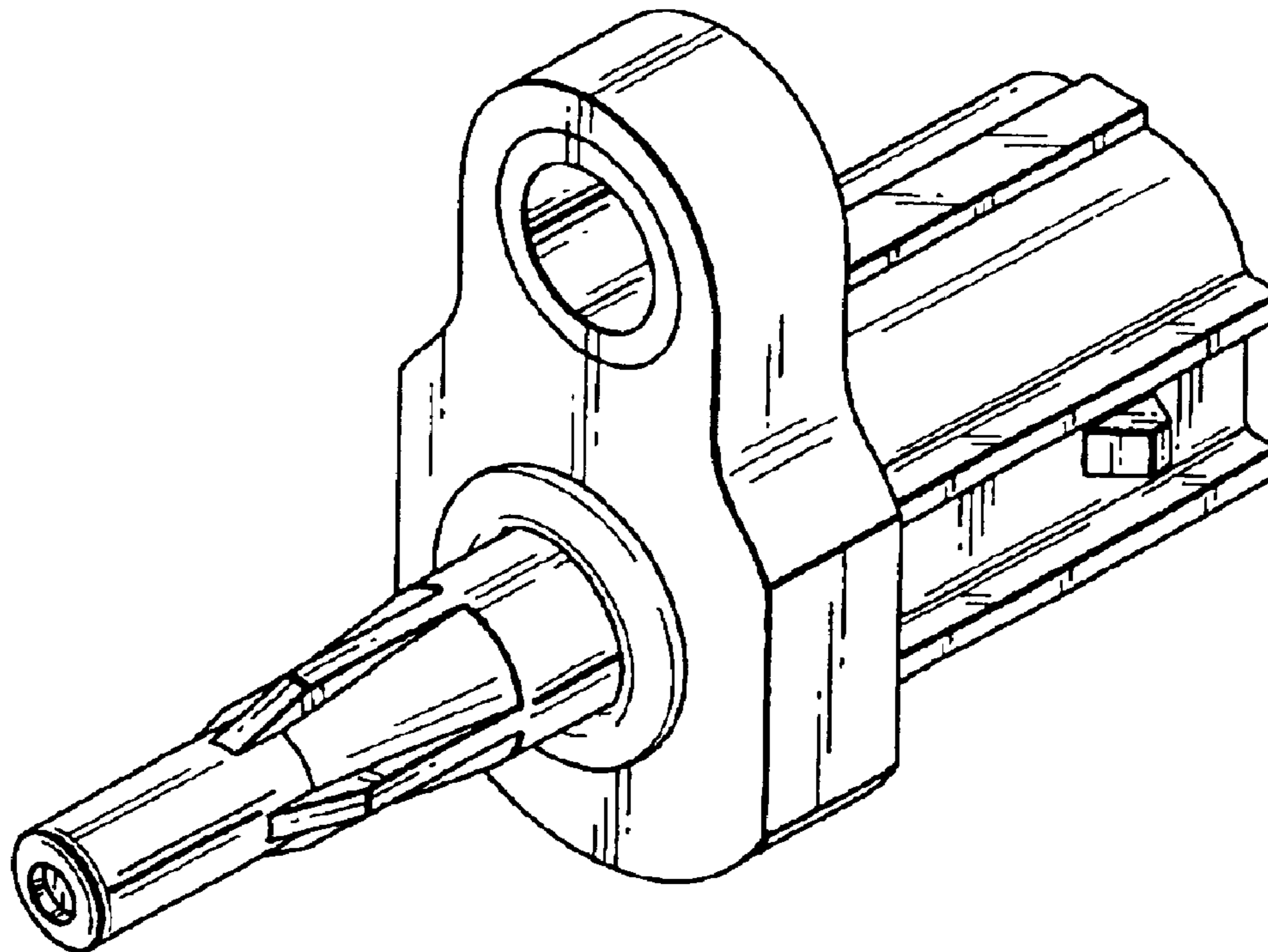


FIG. 1

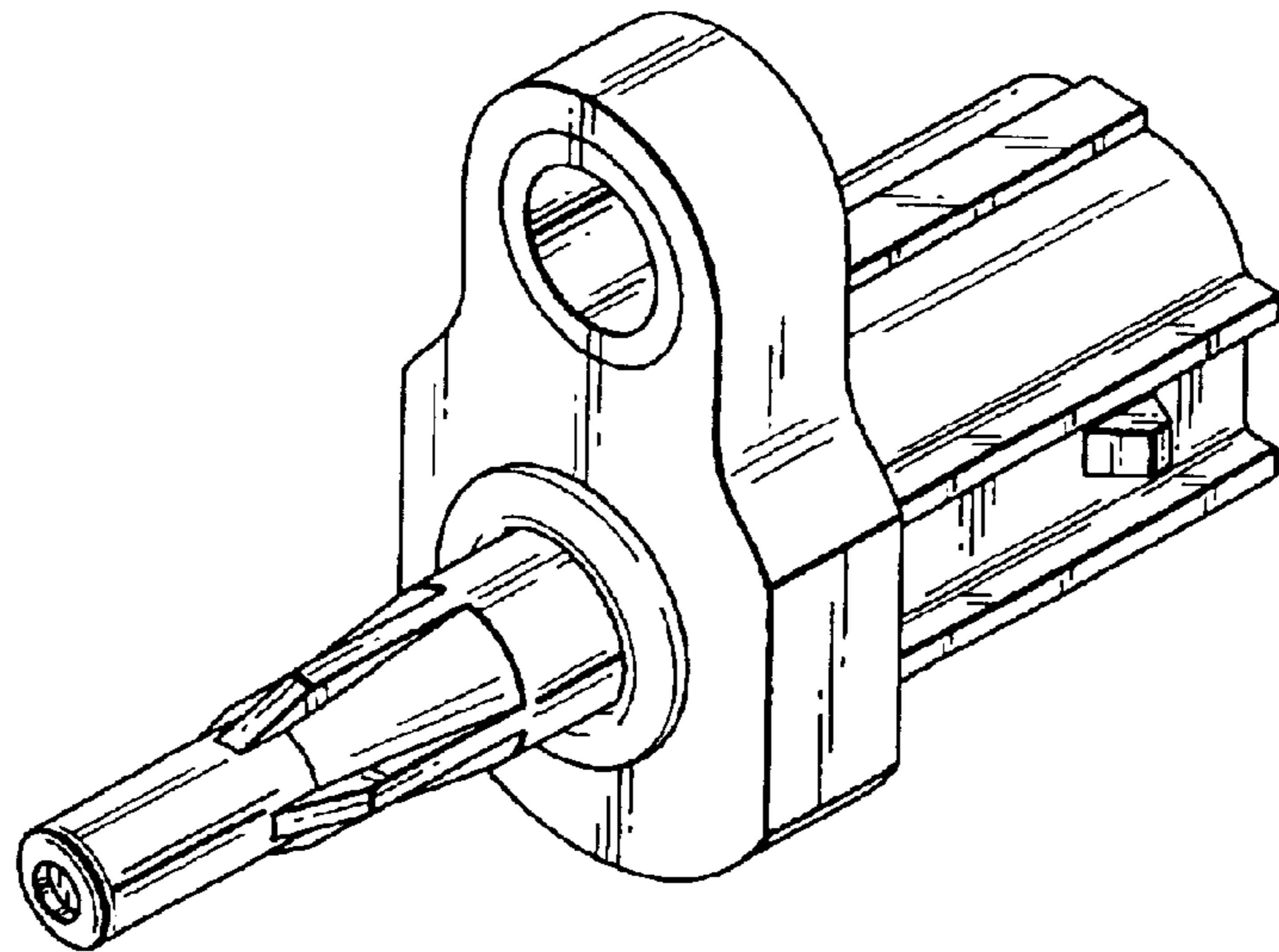


FIG. 2

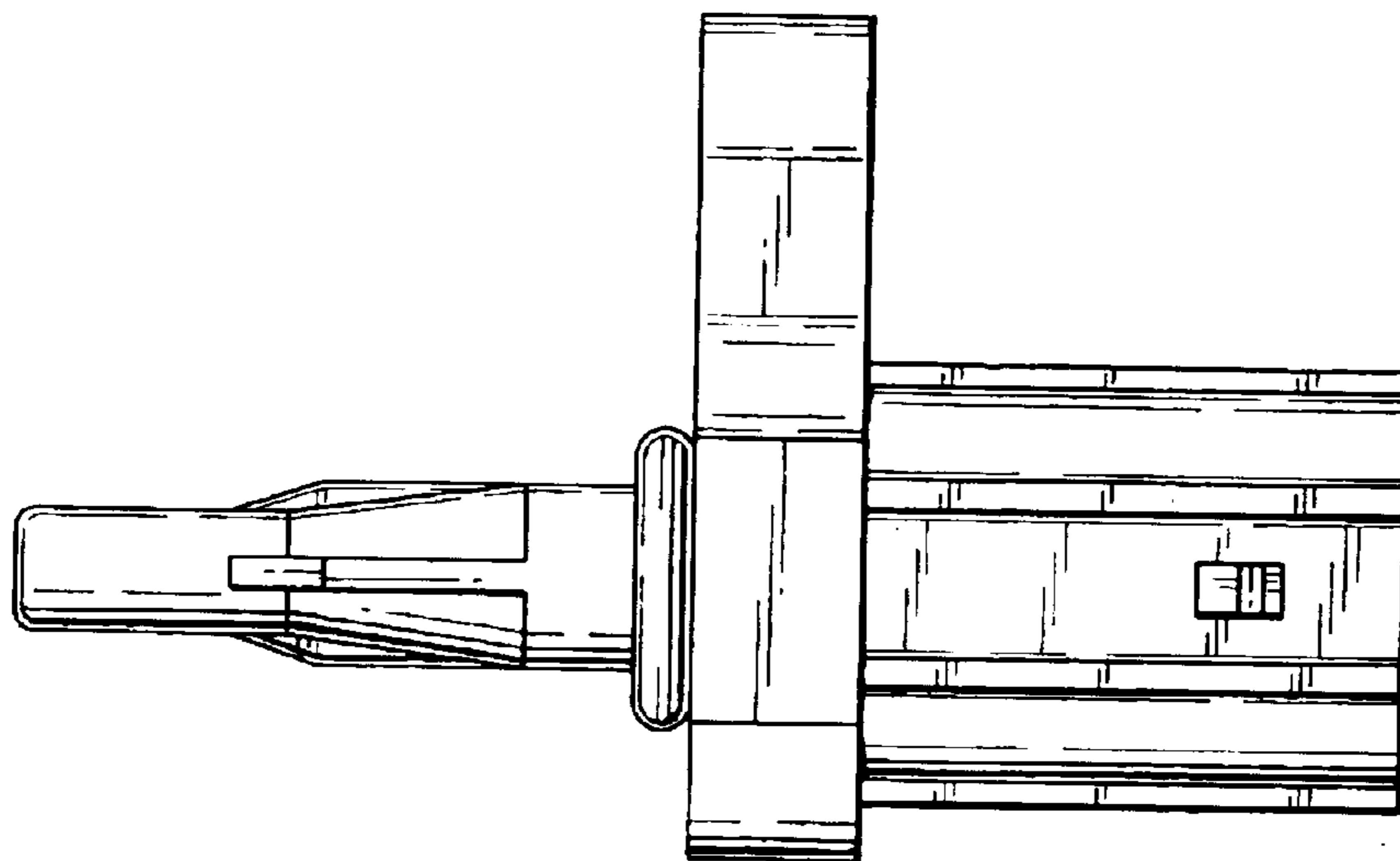


FIG. 3

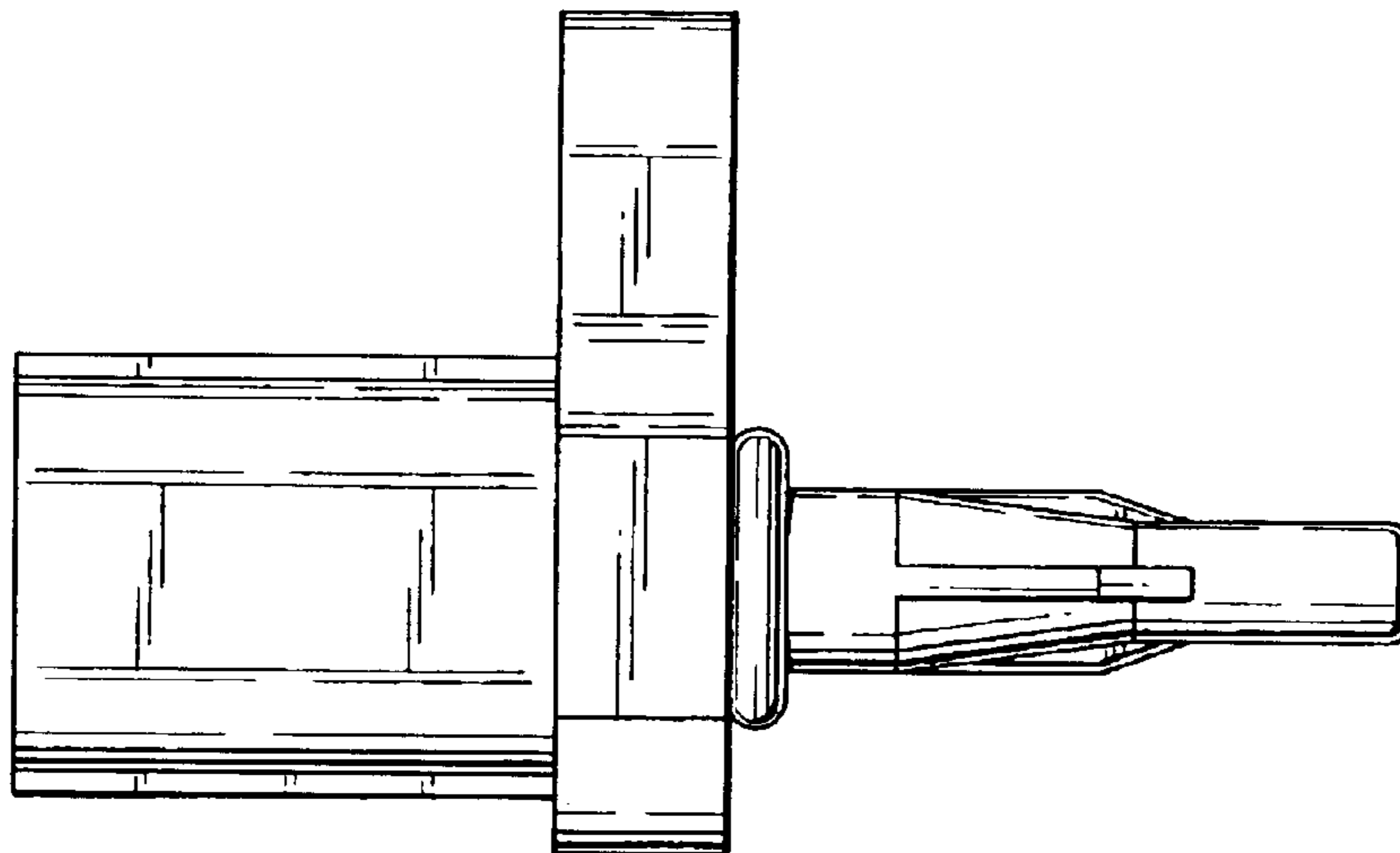


FIG. 4

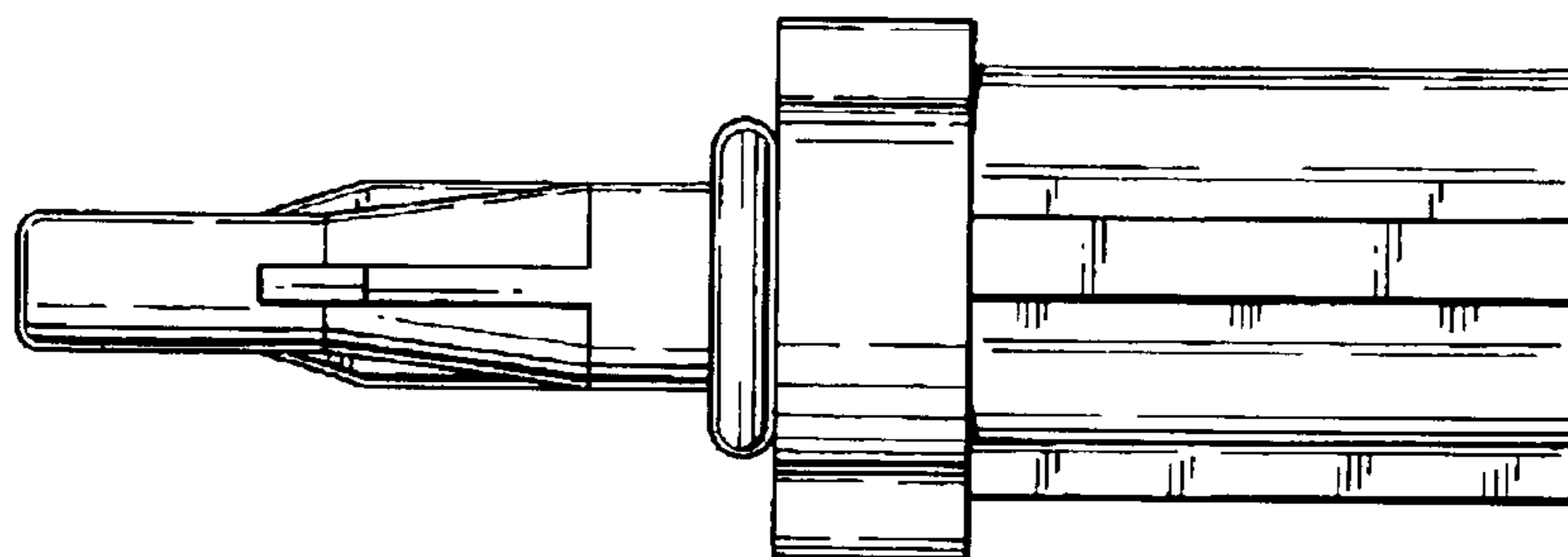


FIG. 5

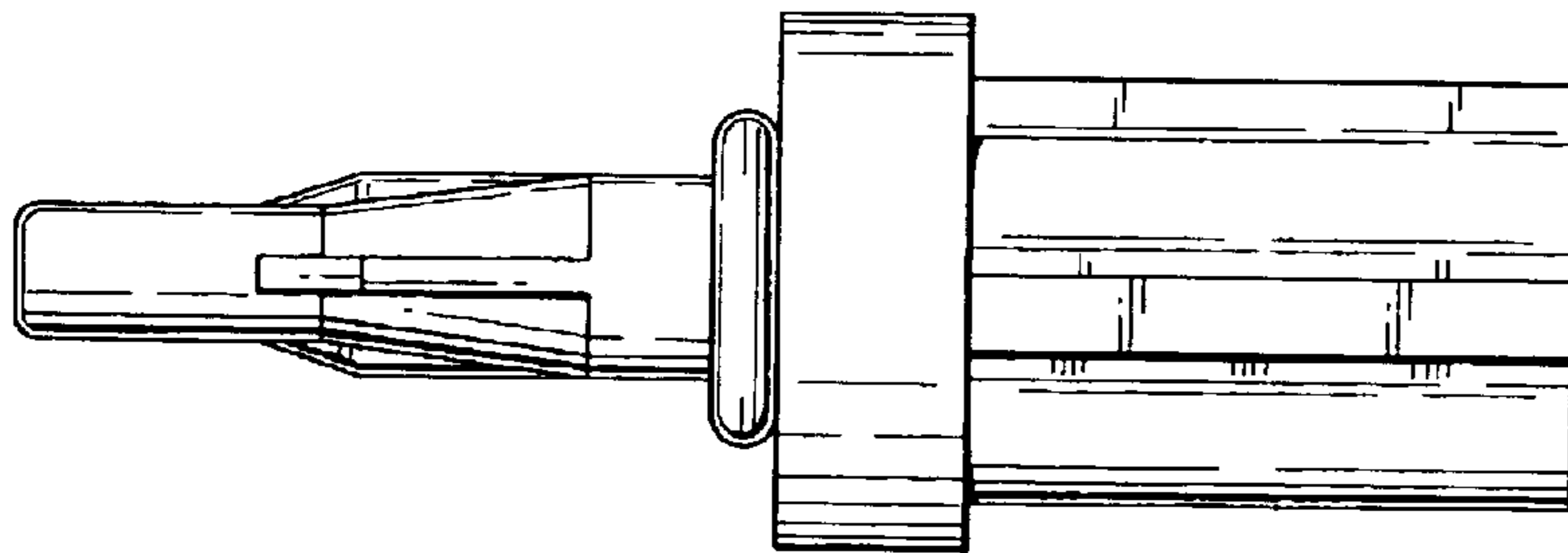


FIG. 6

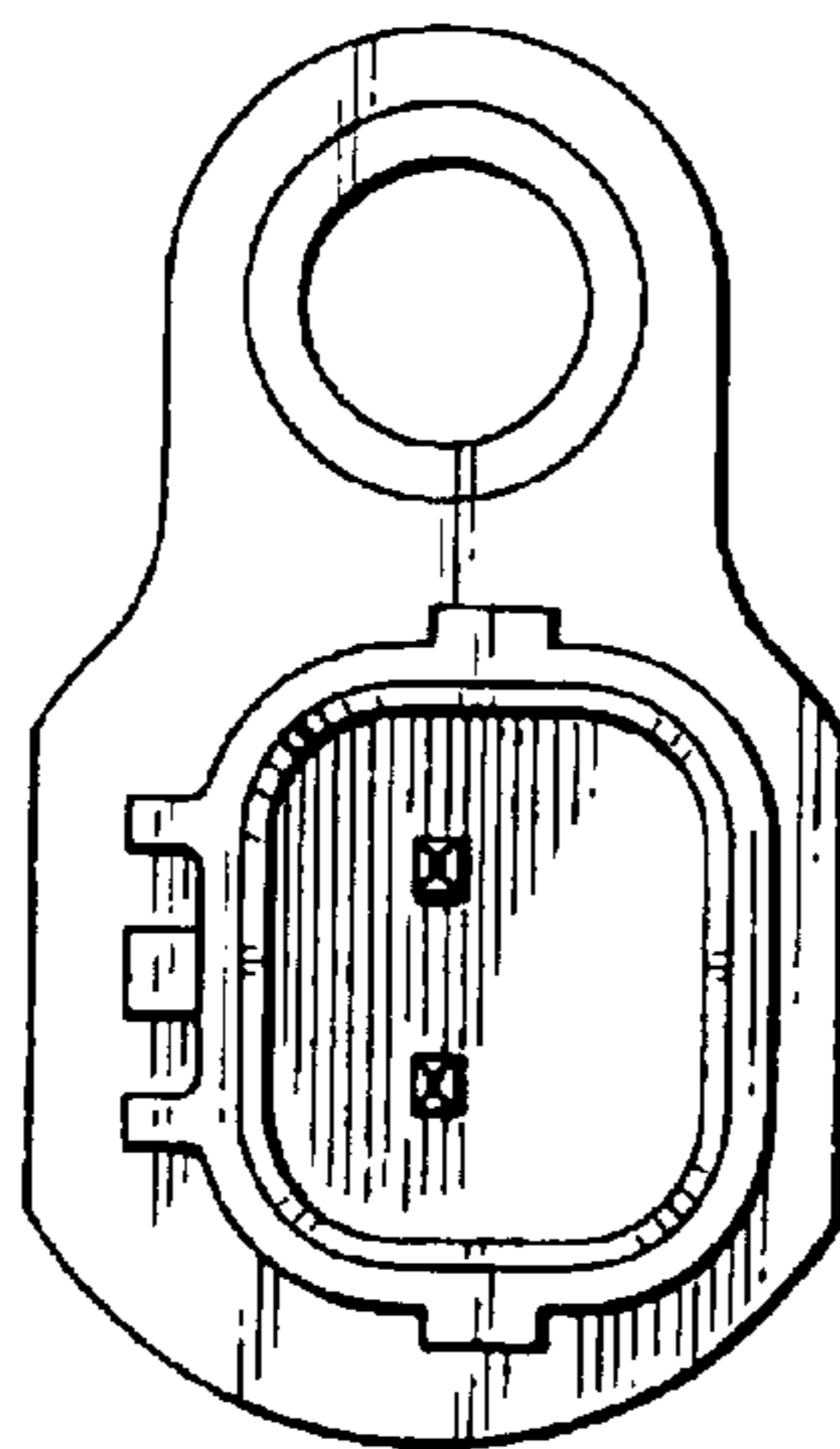


FIG. 7

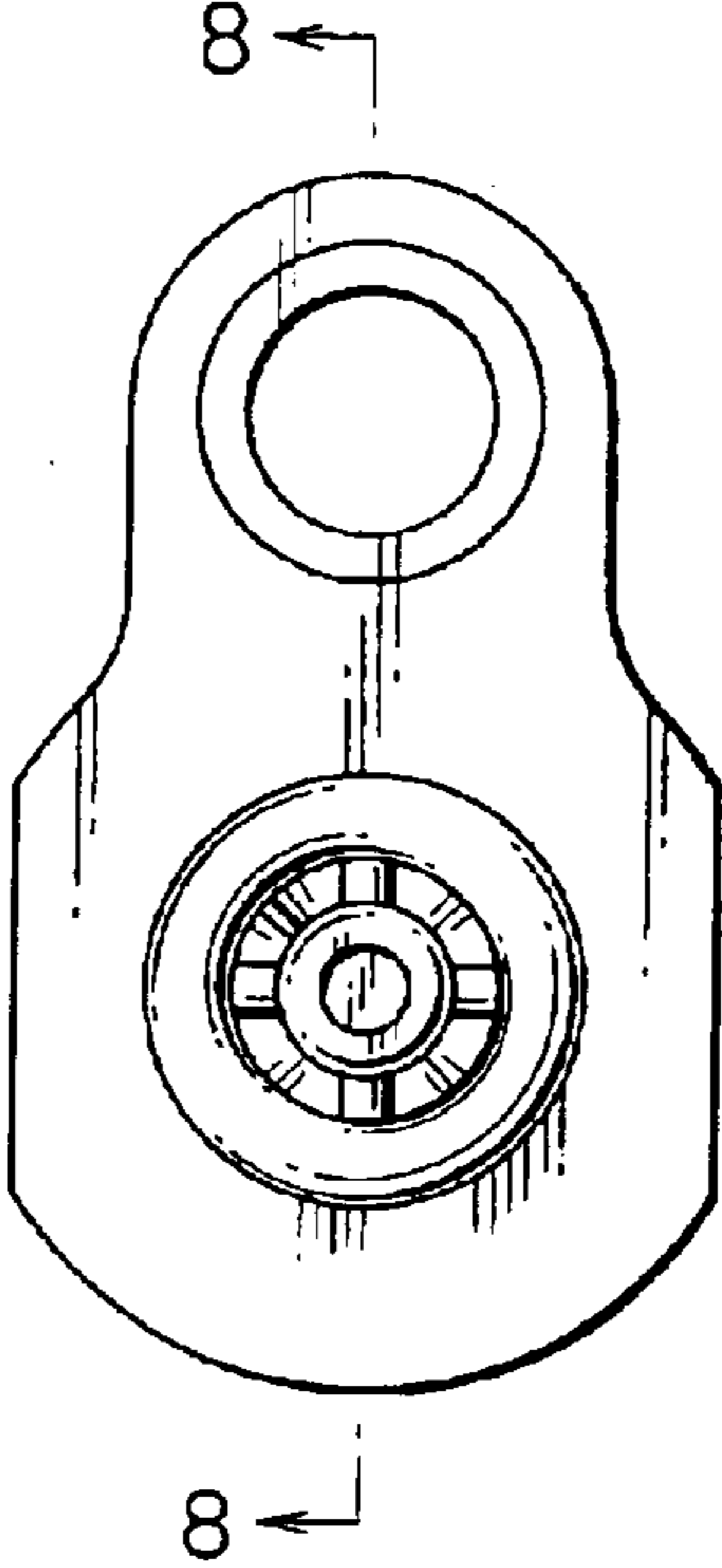


FIG. 8

