



US00D509451S

(12) **United States Design Patent**
Tsujimura

(10) **Patent No.:** **US D509,451 S**

(45) **Date of Patent:** **** *Sep. 13, 2005**

(54) **METER FOR SHIPS**

D490,727 S * 6/2004 Kido et al. D10/50

(75) **Inventor:** **Hajime Tsujimura, Kyoto-fu (JP)**

* cited by examiner

(73) **Assignee:** **Yamaha Hatsudoki Kabushiki Kaisha (JP)**

Primary Examiner—Antoine D. Davis

(74) *Attorney, Agent, or Firm*—Ostrolenk, Faber, Gerb & Soffen, LLP

(*) **Notice:** This patent is subject to a terminal disclaimer.

(**) **Term:** **14 Years**

(57) **CLAIM**

The ornamental design for a meter for ships, as shown.

(21) **Appl. No.:** **29/192,485**

DESCRIPTION

(22) **Filed:** **Oct. 24, 2003**

(51) **LOC (8) Cl.** **10-04**

(52) **U.S. Cl.** **D10/46**

(58) **Field of Search** D10/46, 47-56,
D10/75, 81, 83, 96-102; 73/431, 866.3,
901; 324/156

FIG. 1 is a front, right side, perspective view of the meter for ships showing my new design;

FIGS. 2 and 3 are respectively front and rear views thereof;

FIGS. 4 and 5 are respectively top and bottom views thereof;

FIGS. 6 and 7 are respectively right and left side views thereof; and,

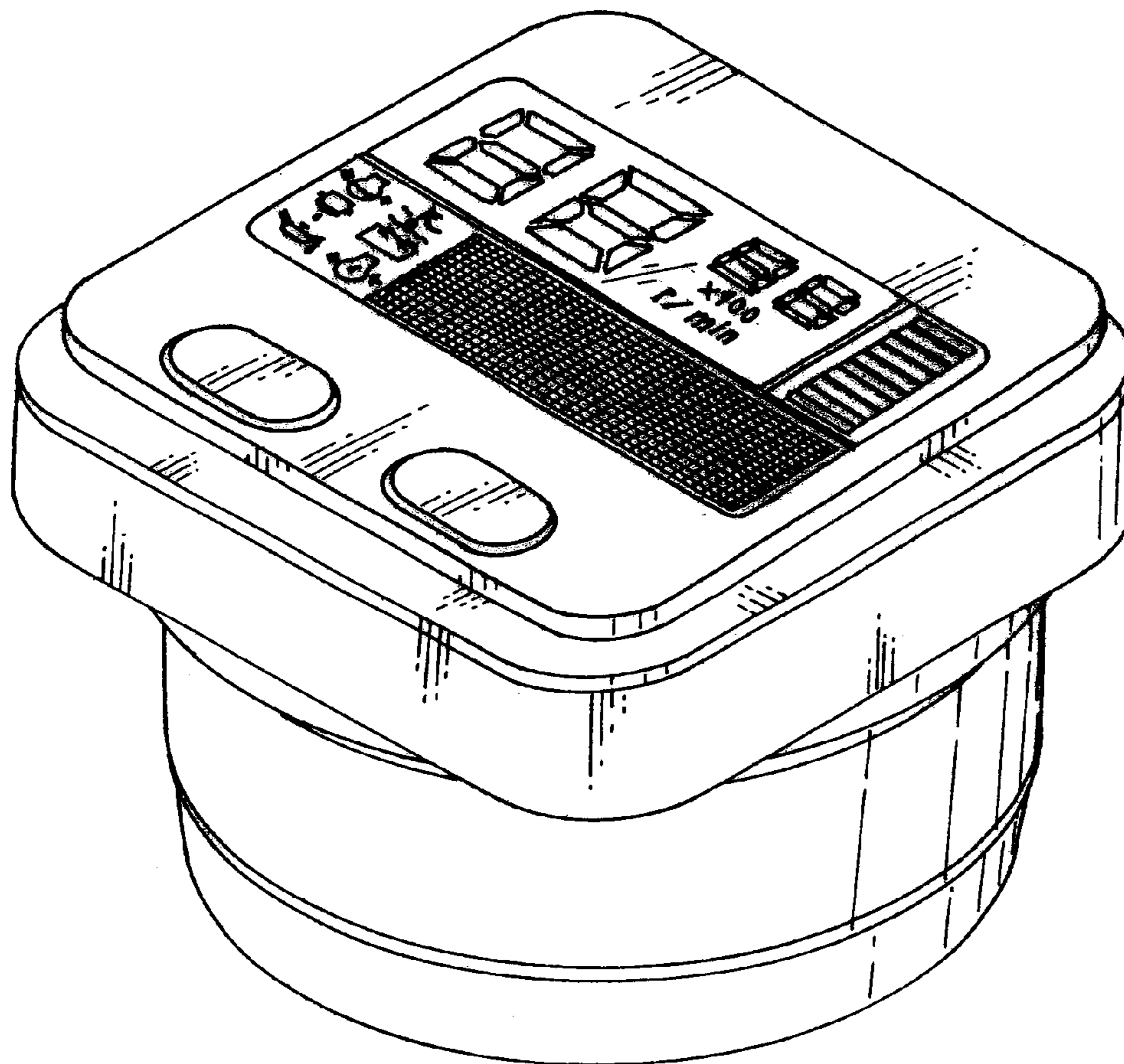
FIG. 8 is an alternate front view thereof.

(56) **References Cited**

U.S. PATENT DOCUMENTS

D457,453 S * 5/2002 Ogawa D10/97

1 Claim, 5 Drawing Sheets



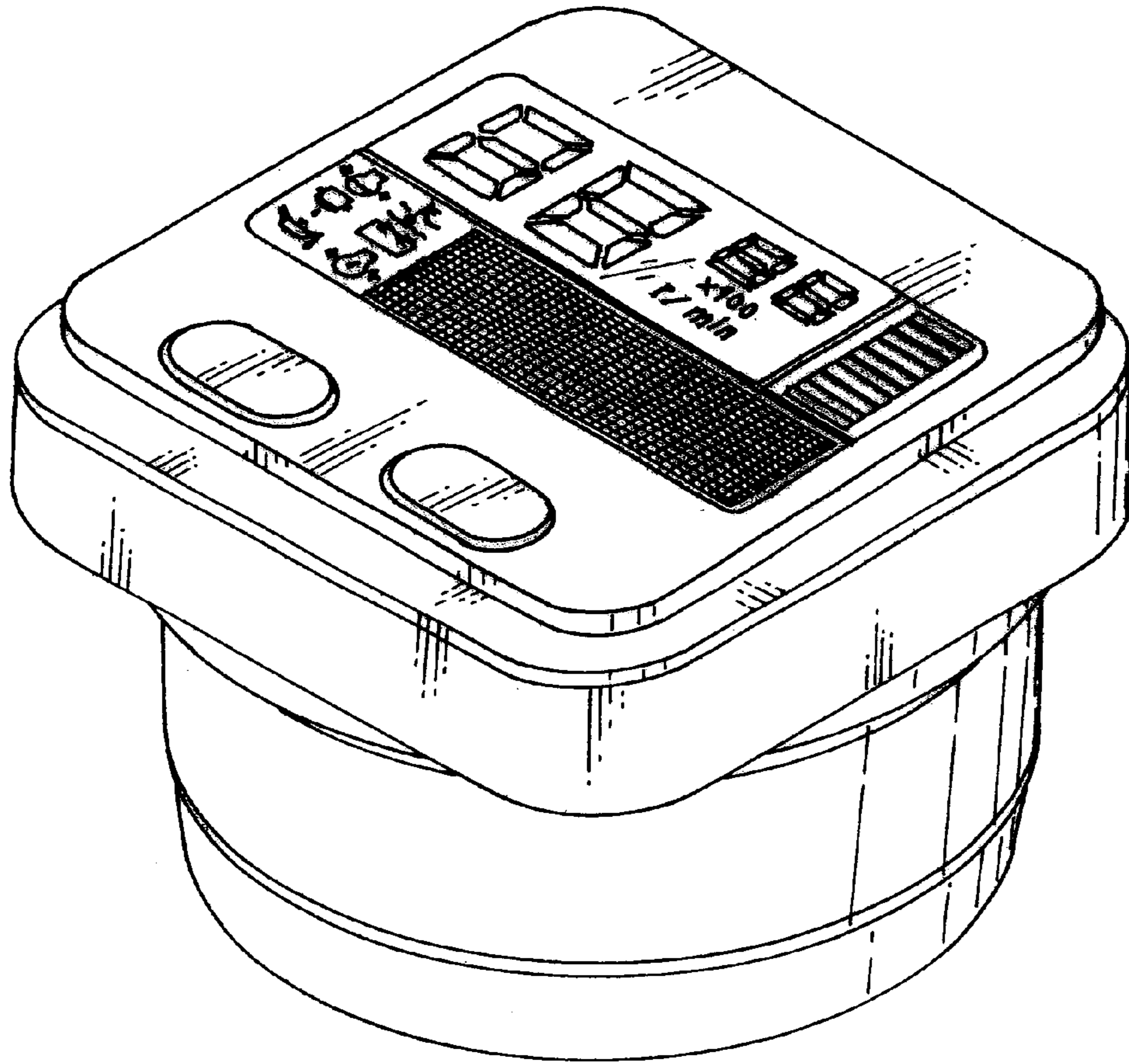


FIG. 1

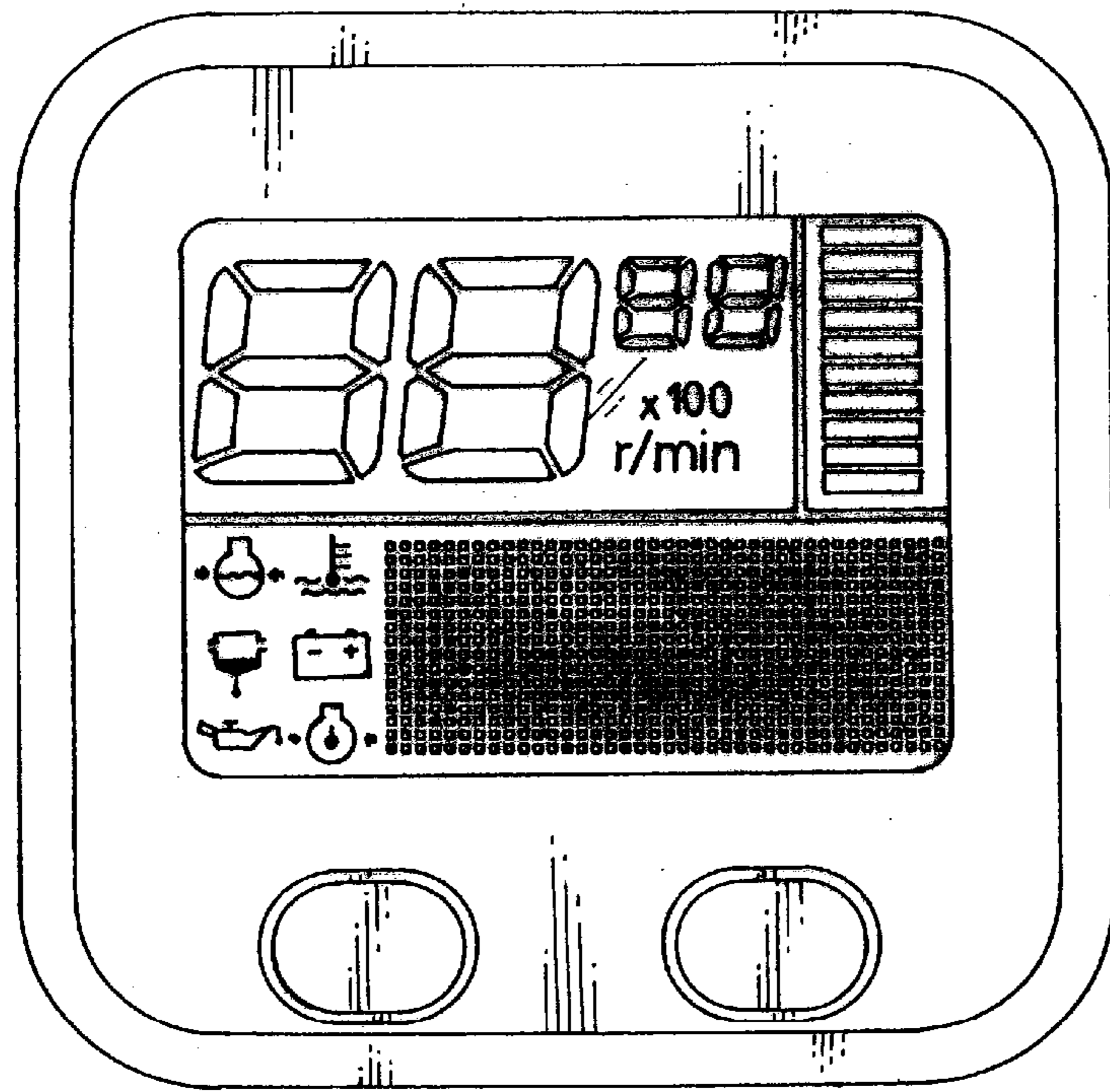


FIG. 2

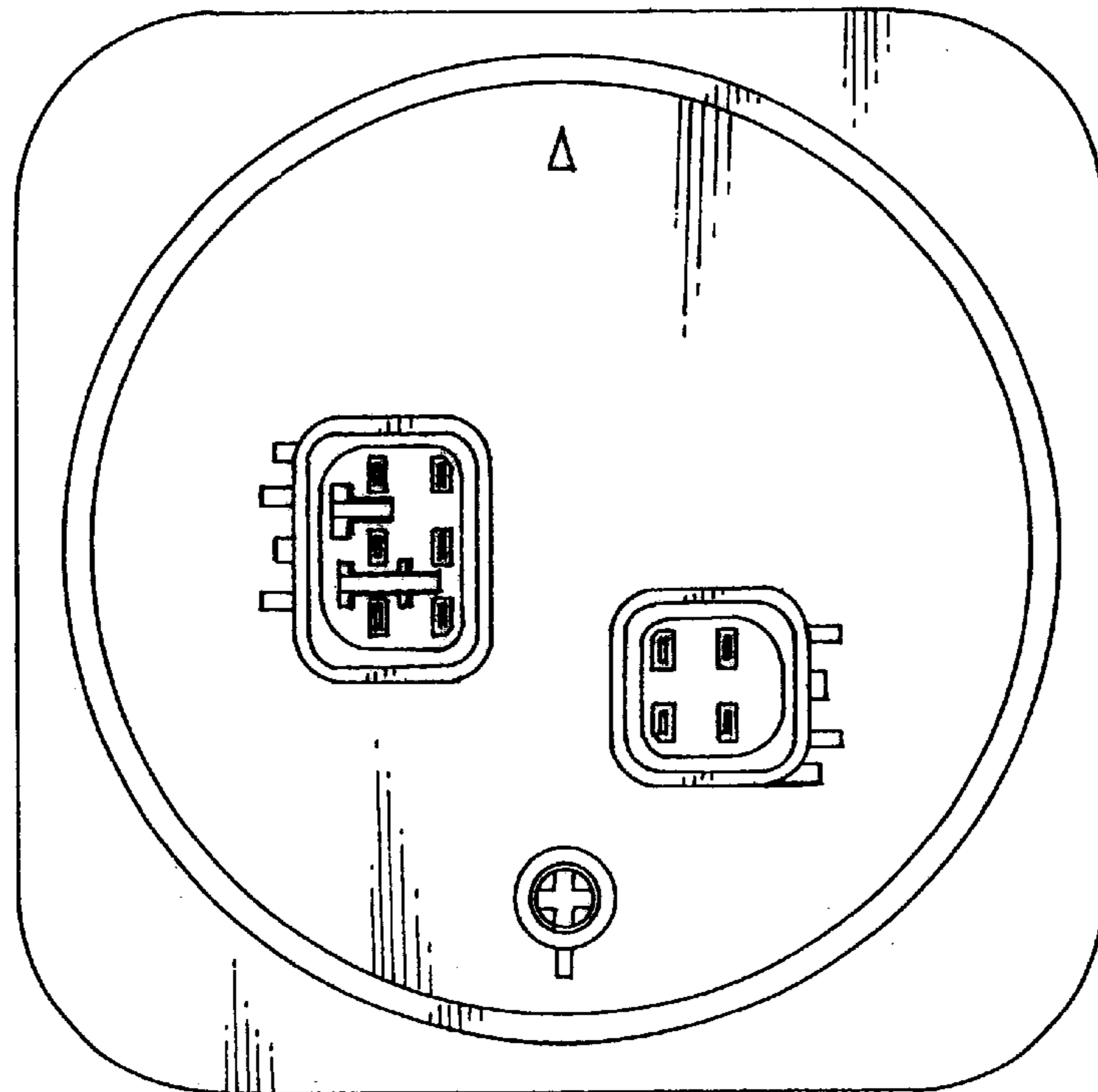


FIG. 3

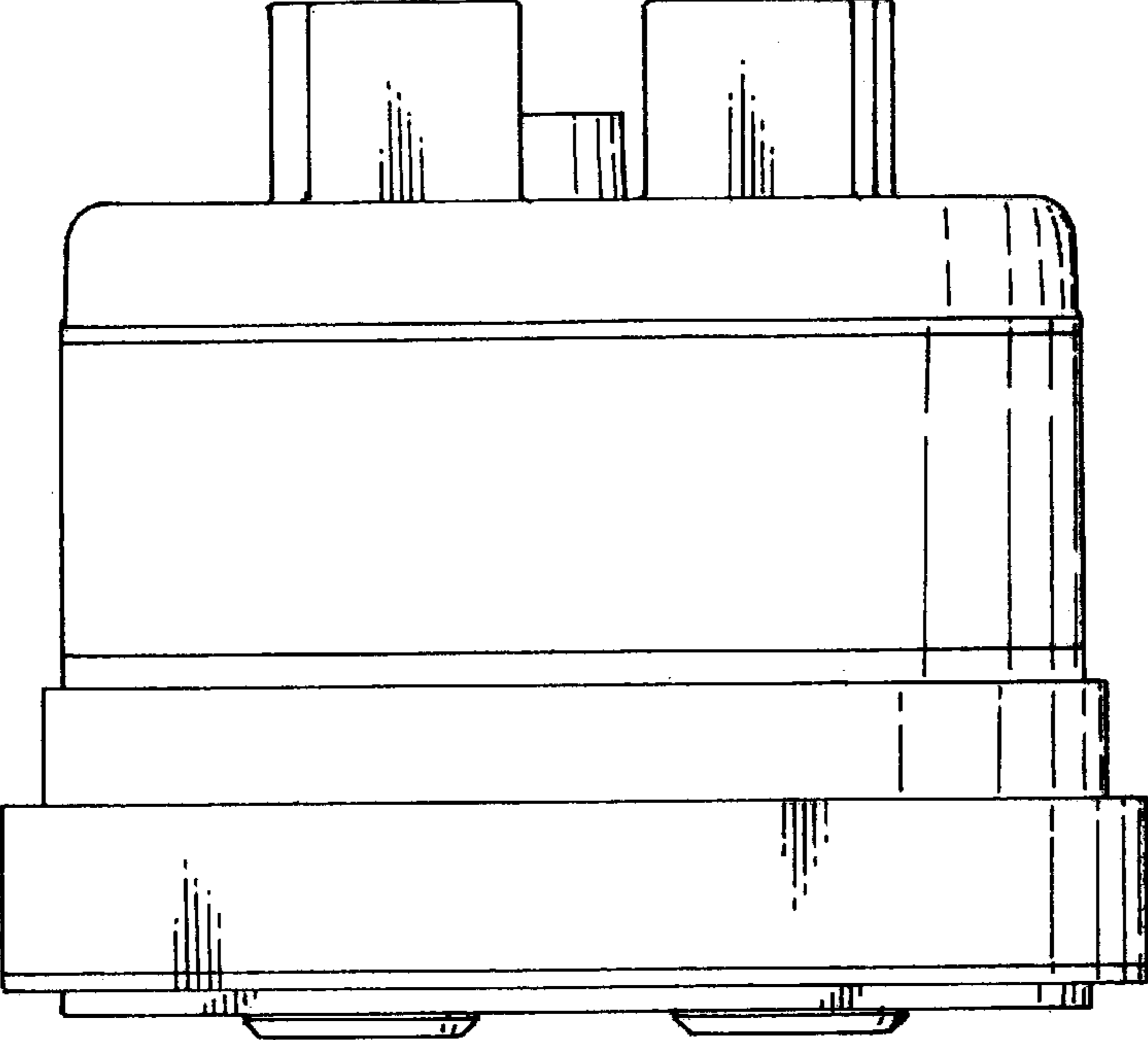


FIG. 4

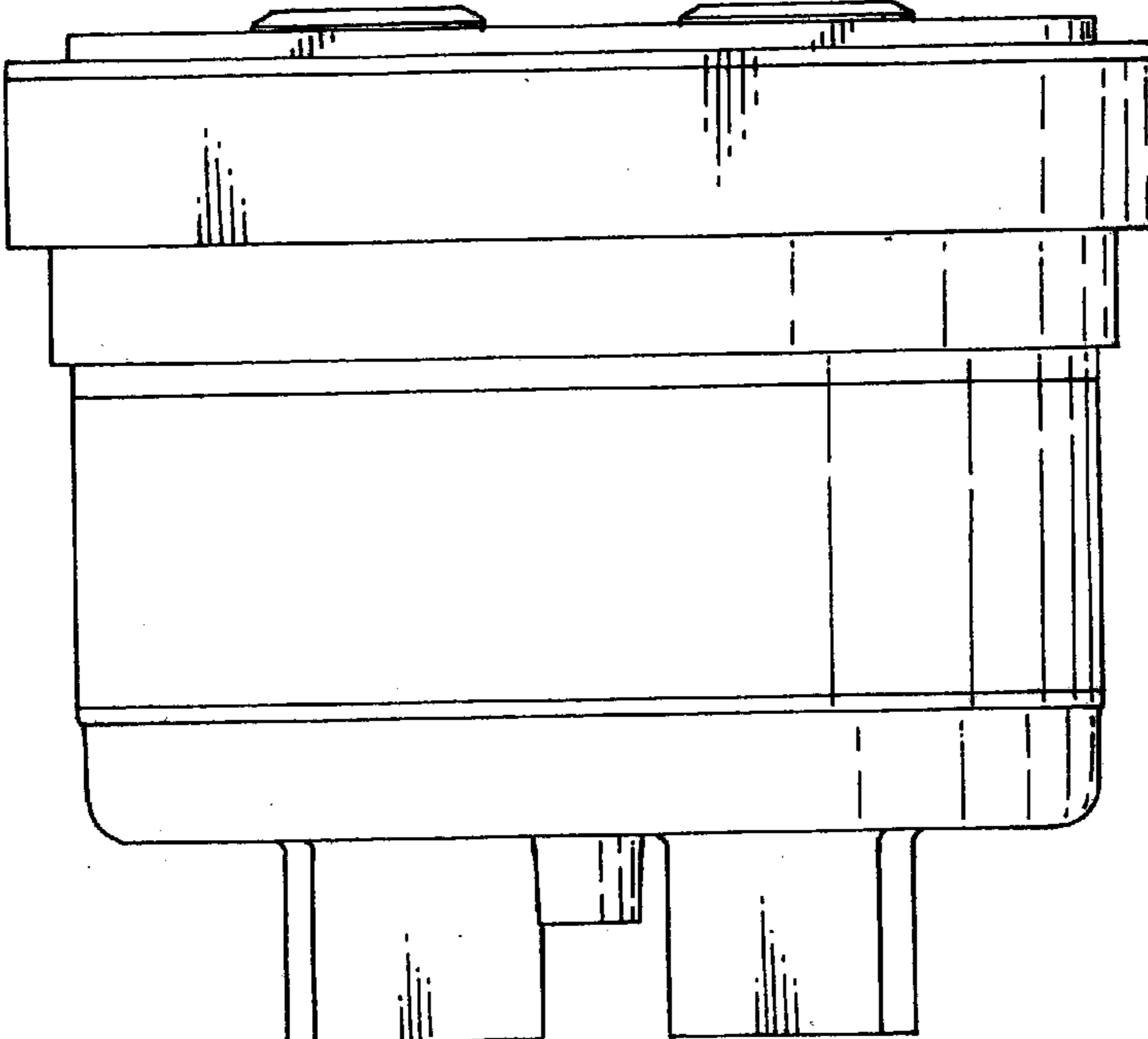


FIG. 5

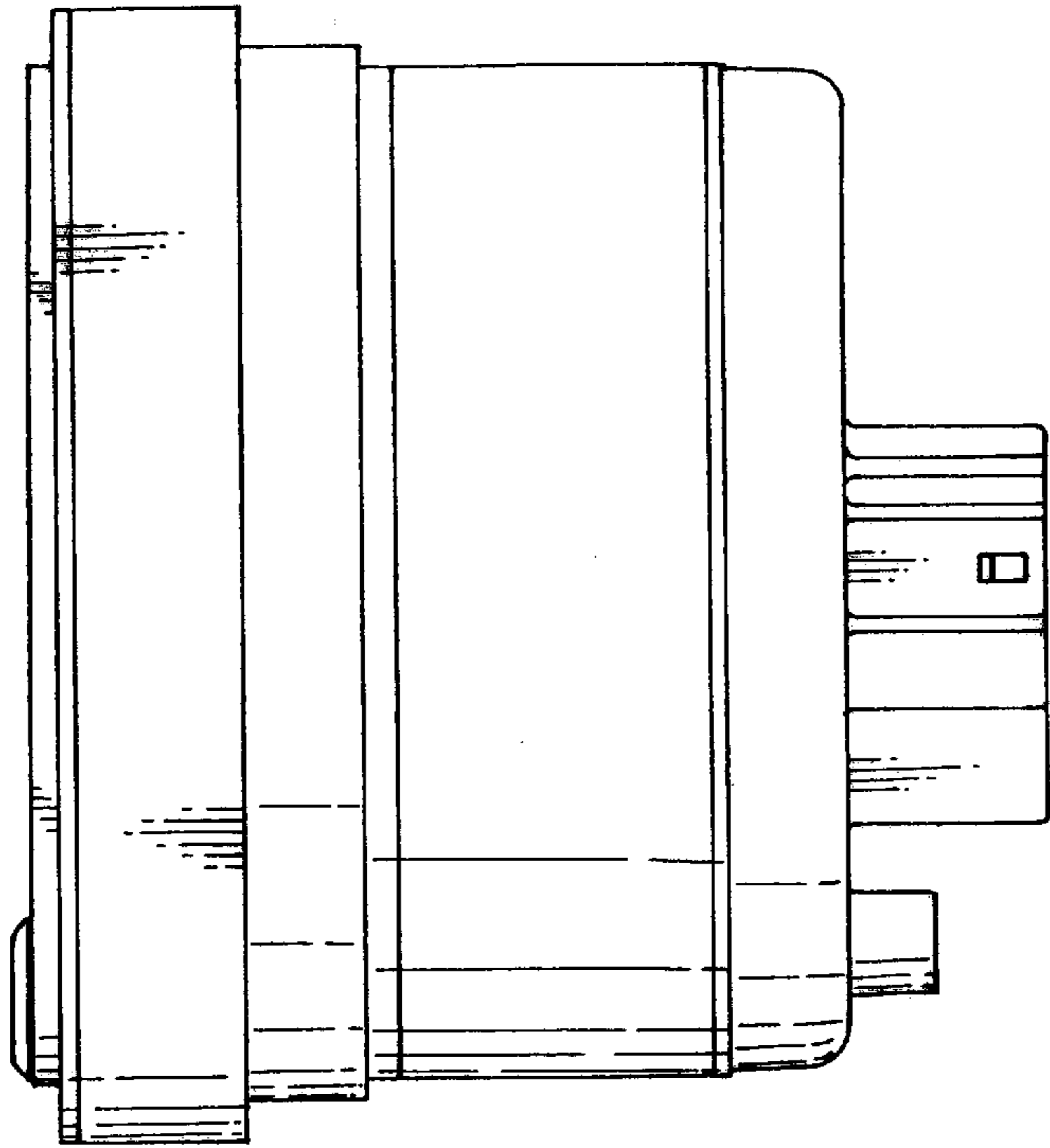


FIG. 6

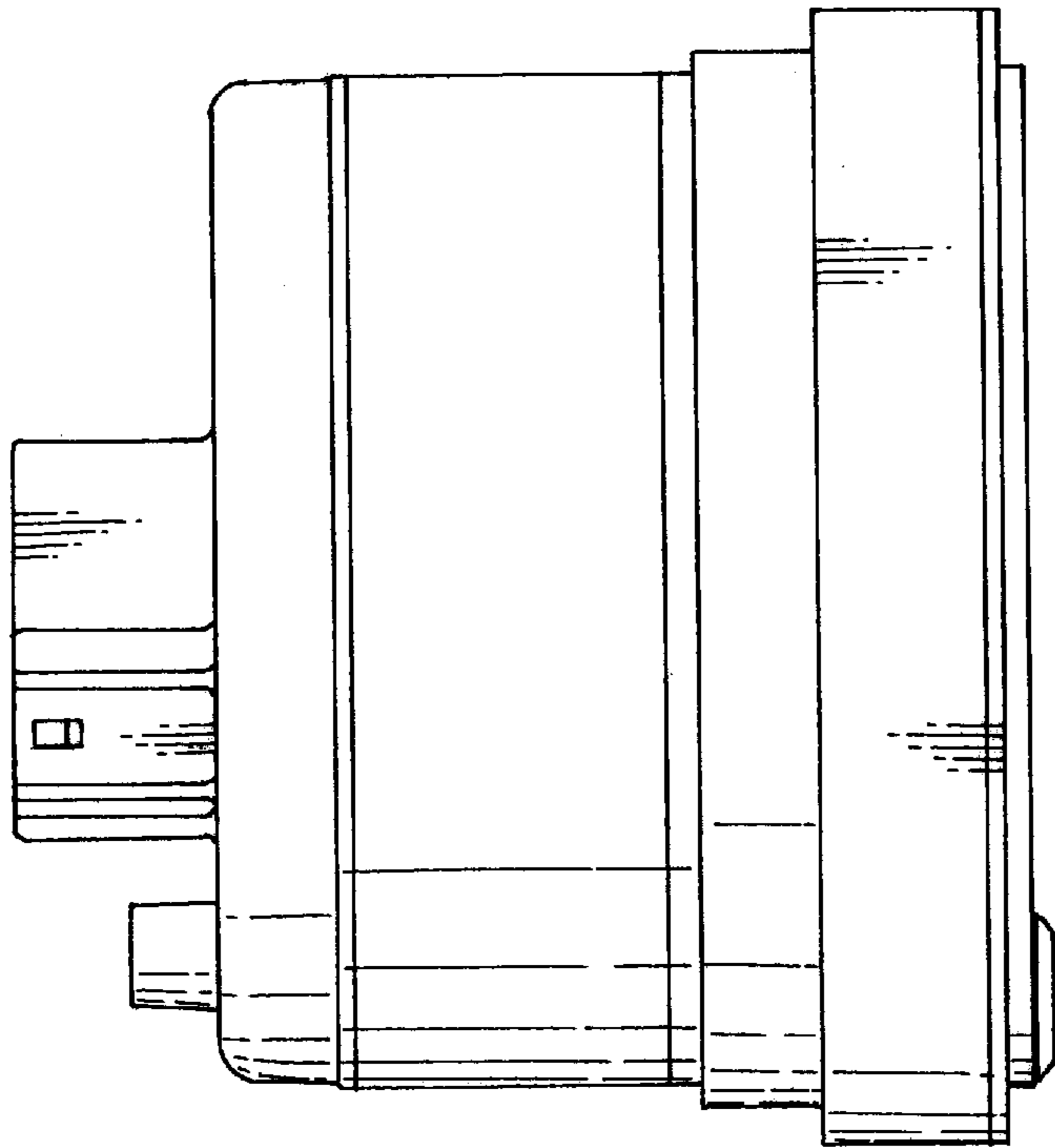


FIG. 7

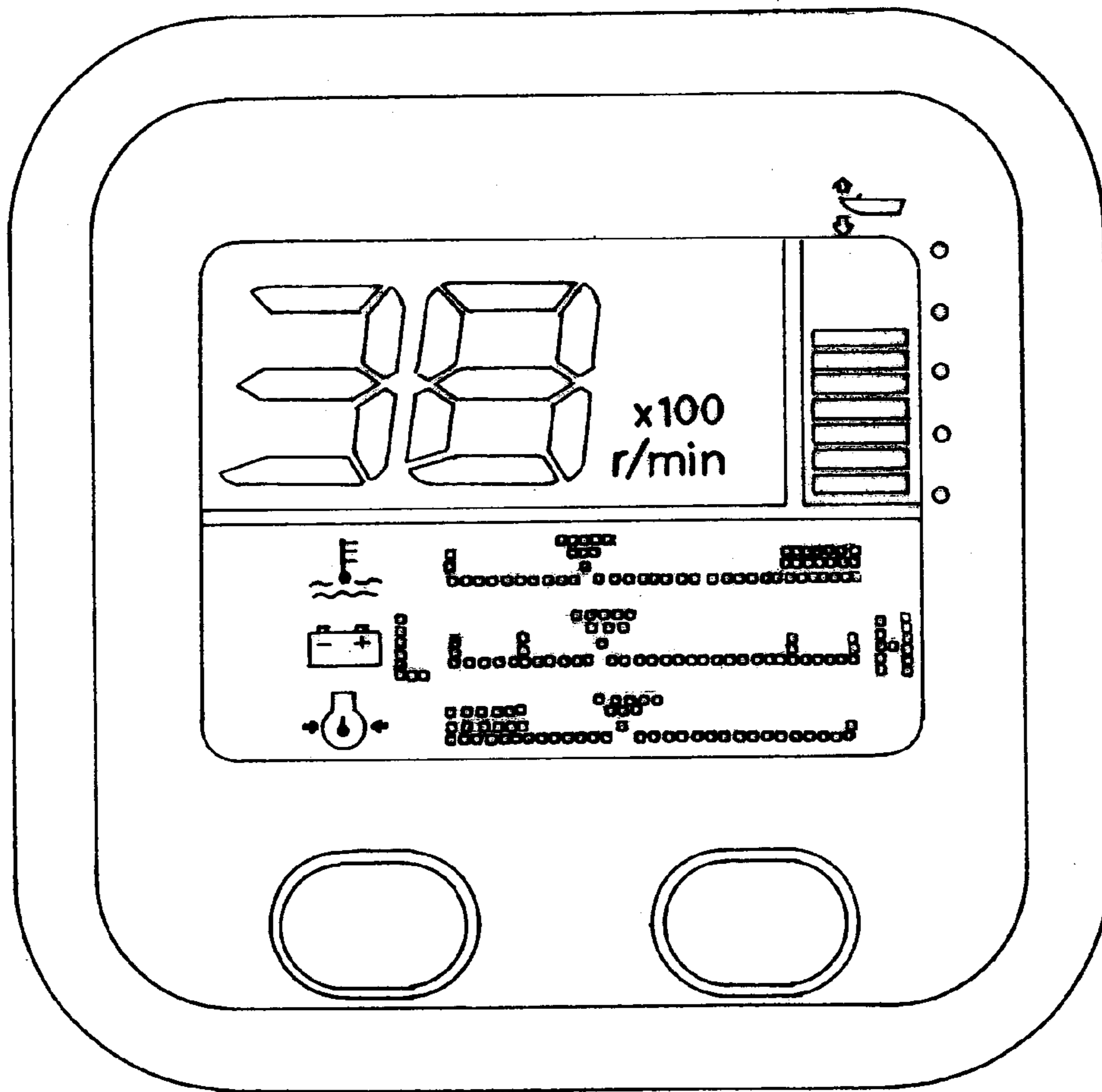


FIG. 8