

US00D509449S

(12) **United States Design Patent**  
**Scheufele**

(10) **Patent No.:** **US D509,449 S**

(45) **Date of Patent:** **\*\* Sep. 13, 2005**

(54) **WATCH**

(75) **Inventor:** **Karl-Friedrich Scheufele, Prangins**  
**(CH)**

(73) **Assignee:** **Chopard International SA, Prangins**  
**(CH)**

(\*\*) **Term:** **14 Years**

(21) **Appl. No.:** **29/208,103**

(22) **Filed:** **Jun. 23, 2004**

(30) **Foreign Application Priority Data**

Dec. 24, 2003 (WO) ..... DM/006 169

(51) **LOC (8) Cl.** ..... **10-02**

(52) **U.S. Cl.** ..... **D10/39**

(58) **Field of Search** ..... D10/1-40, 122-132;  
368/280-282, 276-277, 285, 294-295

(56) **References Cited**

**U.S. PATENT DOCUMENTS**

- D250,750 S \* 1/1979 Perrin ..... D10/39
- D329,613 S \* 9/1992 Yano ..... D10/39
- D366,427 S \* 1/1996 Dumas ..... D10/39
- D370,859 S \* 6/1996 Scheufele ..... D10/39

- D371,308 S \* 7/1996 Wunderman ..... D10/39
- D388,716 S \* 1/1998 Wunderman ..... D10/39
- D392,902 S \* 3/1998 Mouawad ..... D10/30
- D417,404 S \* 12/1999 Berliat ..... D10/38
- D420,600 S \* 2/2000 Gruosi-Scheufele ..... D10/39
- D430,809 S \* 9/2000 Polenberg ..... D10/39
- D438,474 S \* 3/2001 Dumas ..... D10/39
- D470,060 S \* 2/2003 Grimoldi ..... D10/39
- D473,478 S \* 4/2003 d'Origny ..... D10/39

\* cited by examiner

*Primary Examiner*—Nelson C. Holtje

(74) *Attorney, Agent, or Firm*—McGlew and Tuttle, P.C.

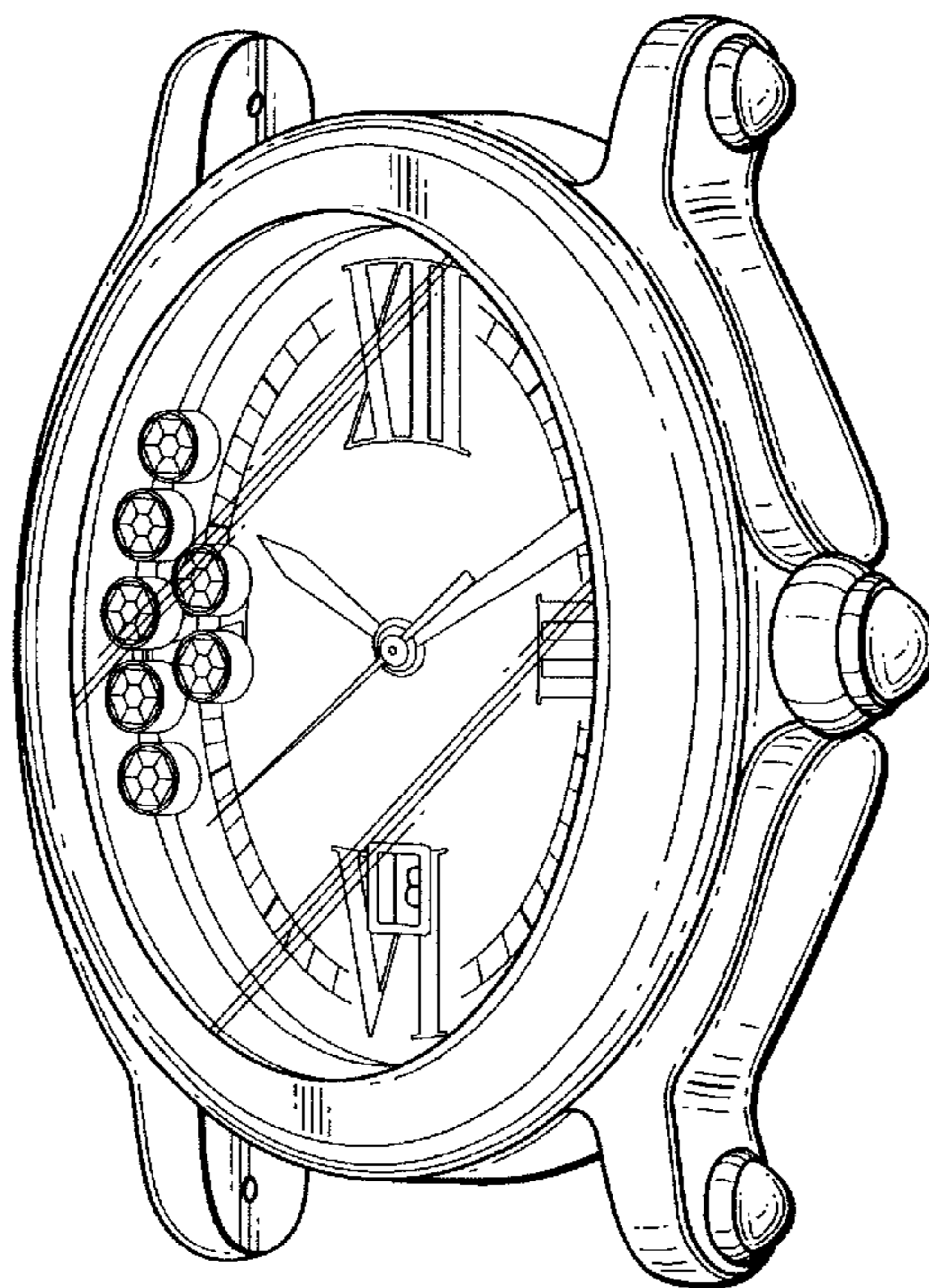
(57) **CLAIM**

The ornamental design for a watch, as shown and described.

**DESCRIPTION**

FIG. 1 is a right side view of my new watch;  
 FIG. 2 is a top view thereof;  
 FIG. 3 is a left side view thereof;  
 FIG. 4 is a front end view thereof;  
 FIG. 5 is a bottom view thereof;  
 FIG. 6 is a rear end view thereof; and,  
 FIG. 7 is a top right perspective view thereof.

**1 Claim, 5 Drawing Sheets**



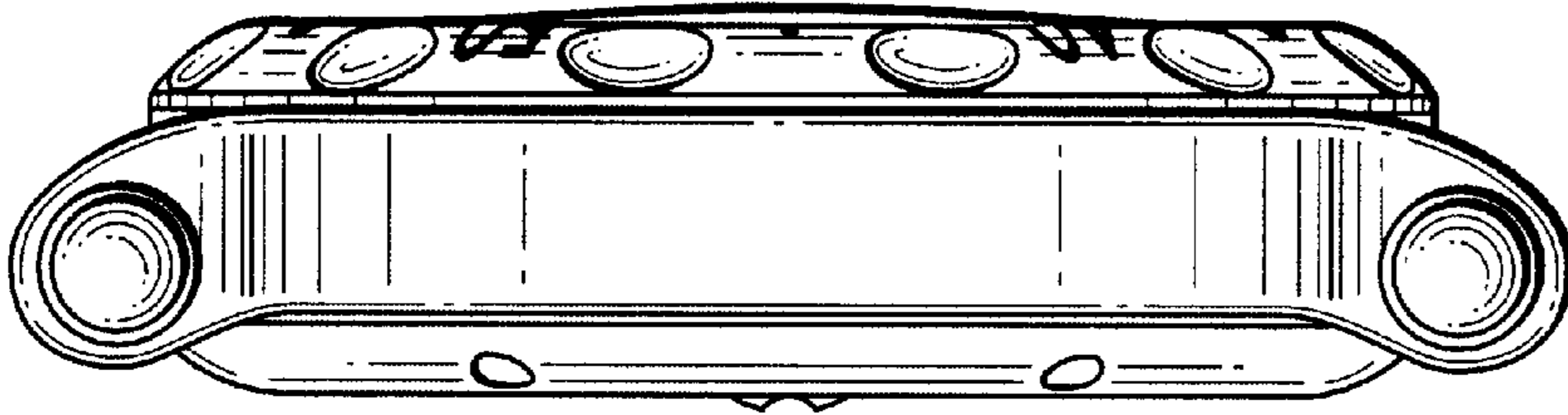


FIG. 3

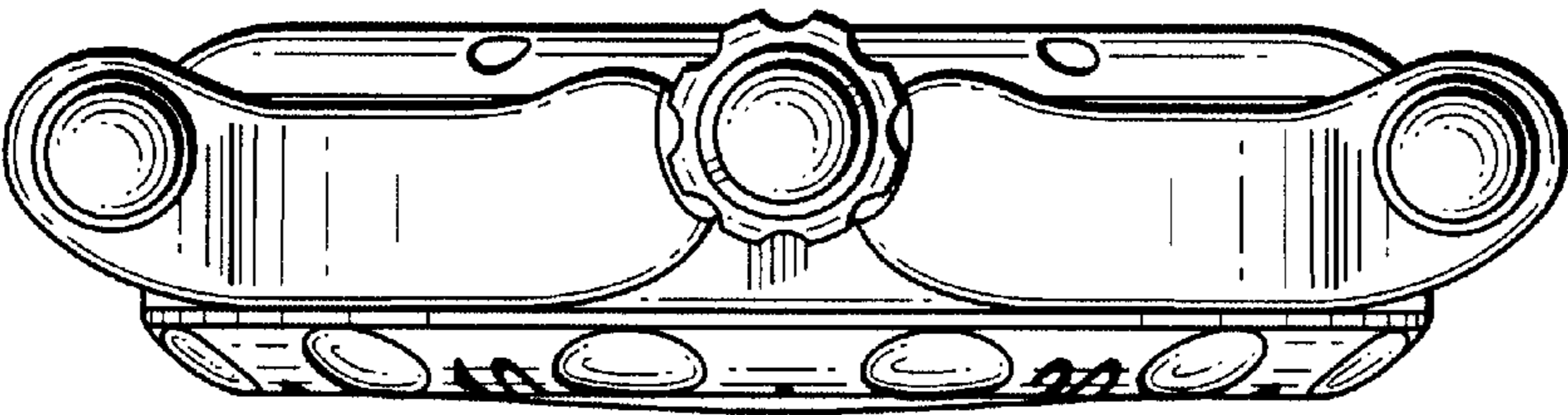


FIG. 1

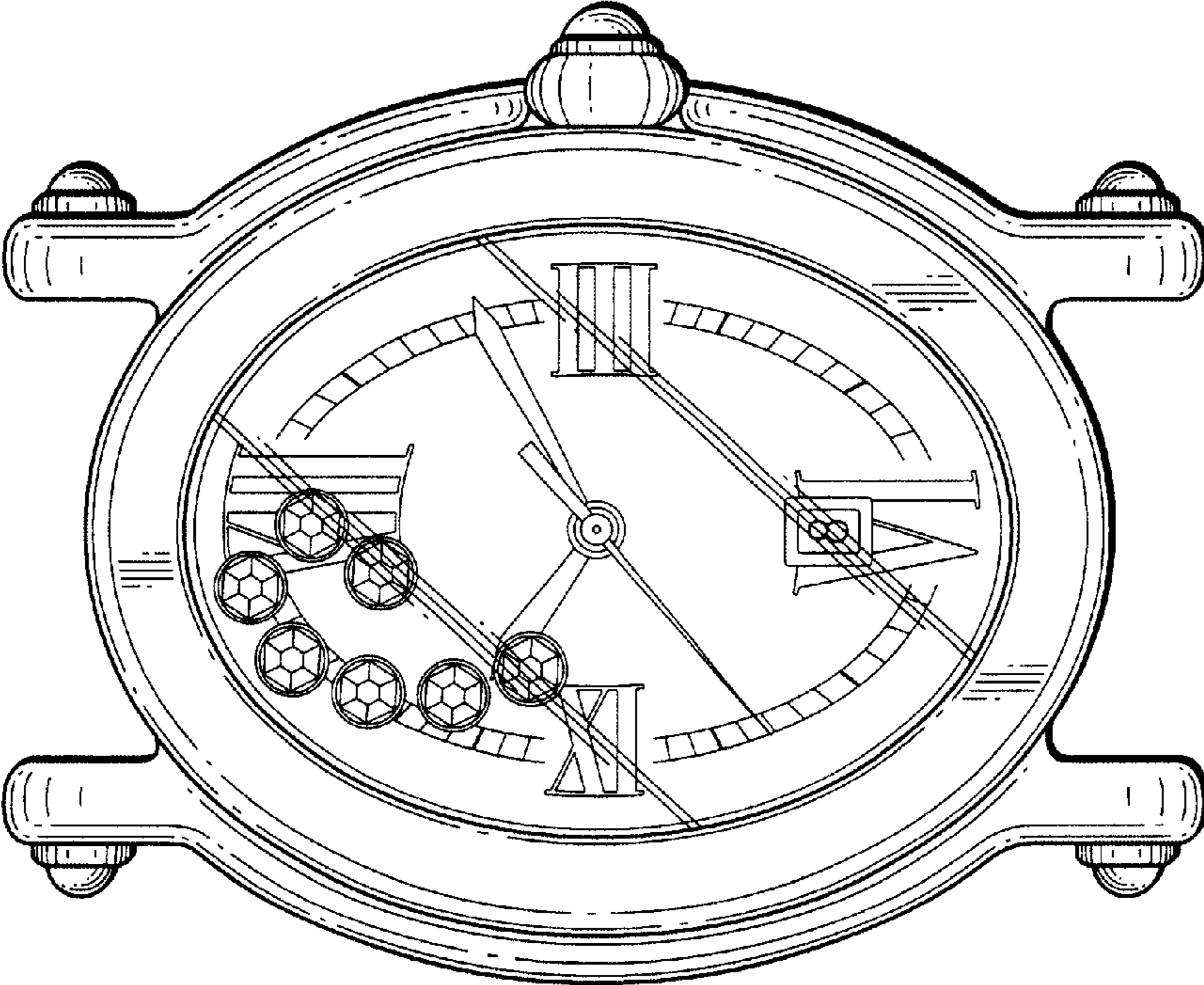


FIG. 2

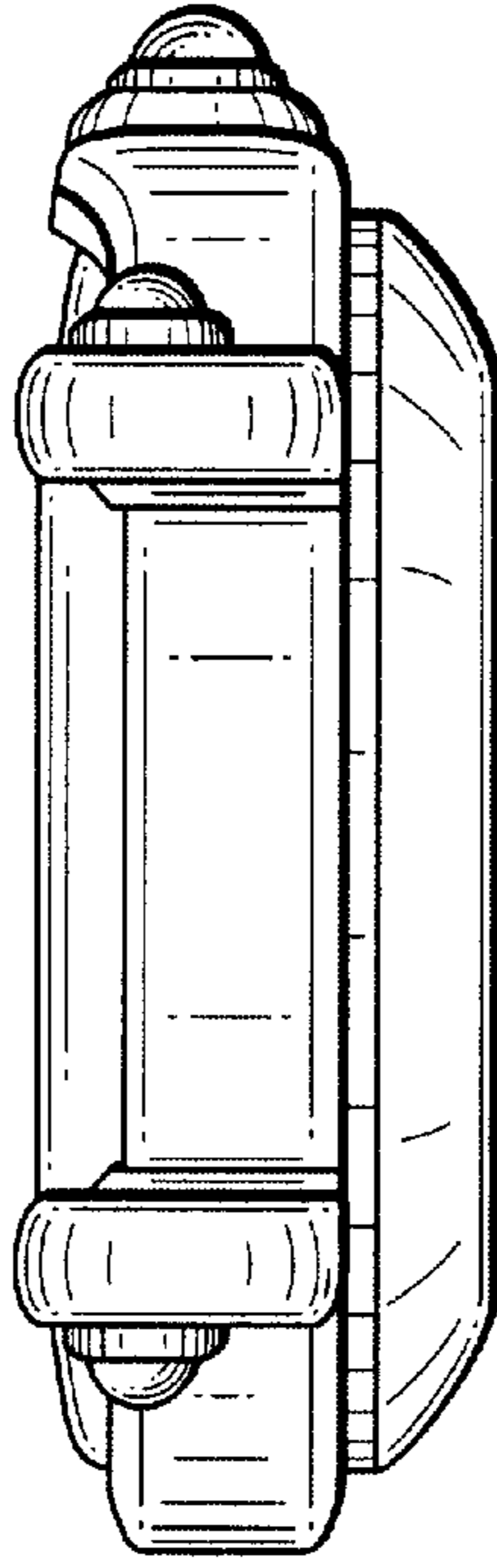


FIG. 6

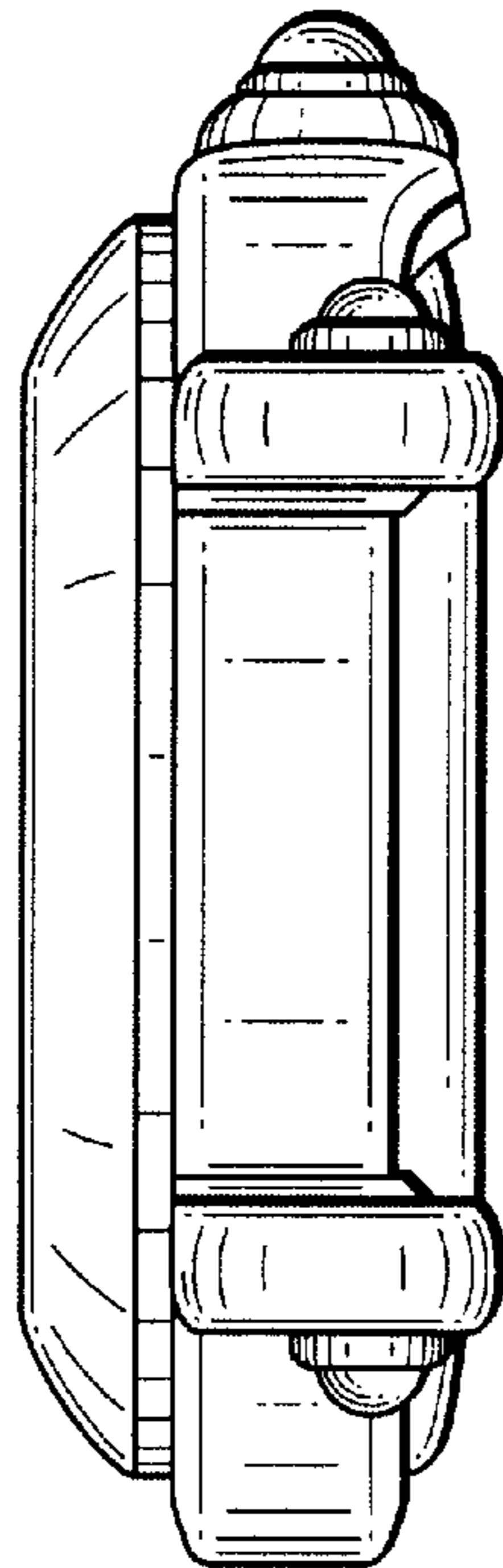


FIG. 4

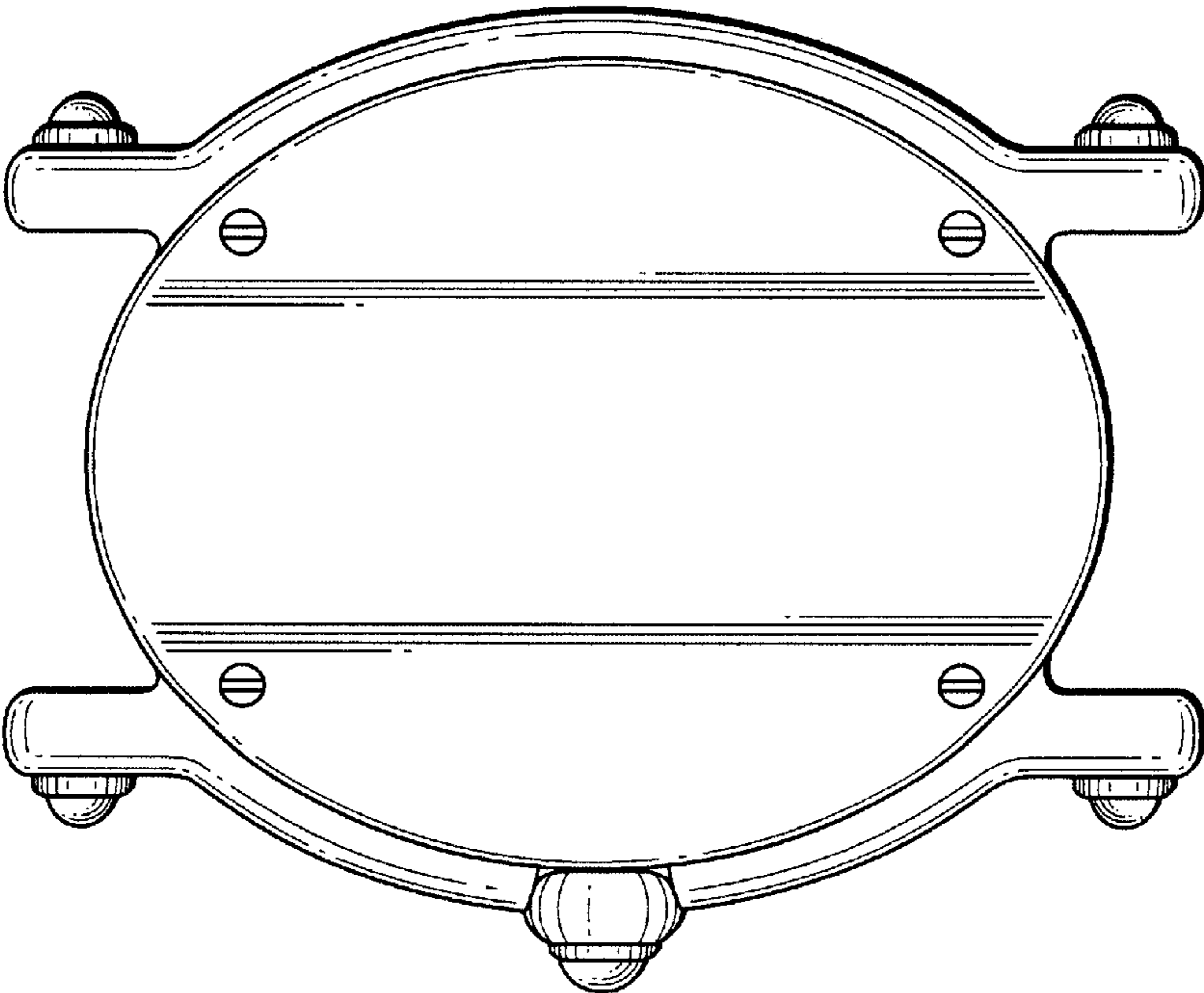


FIG. 5

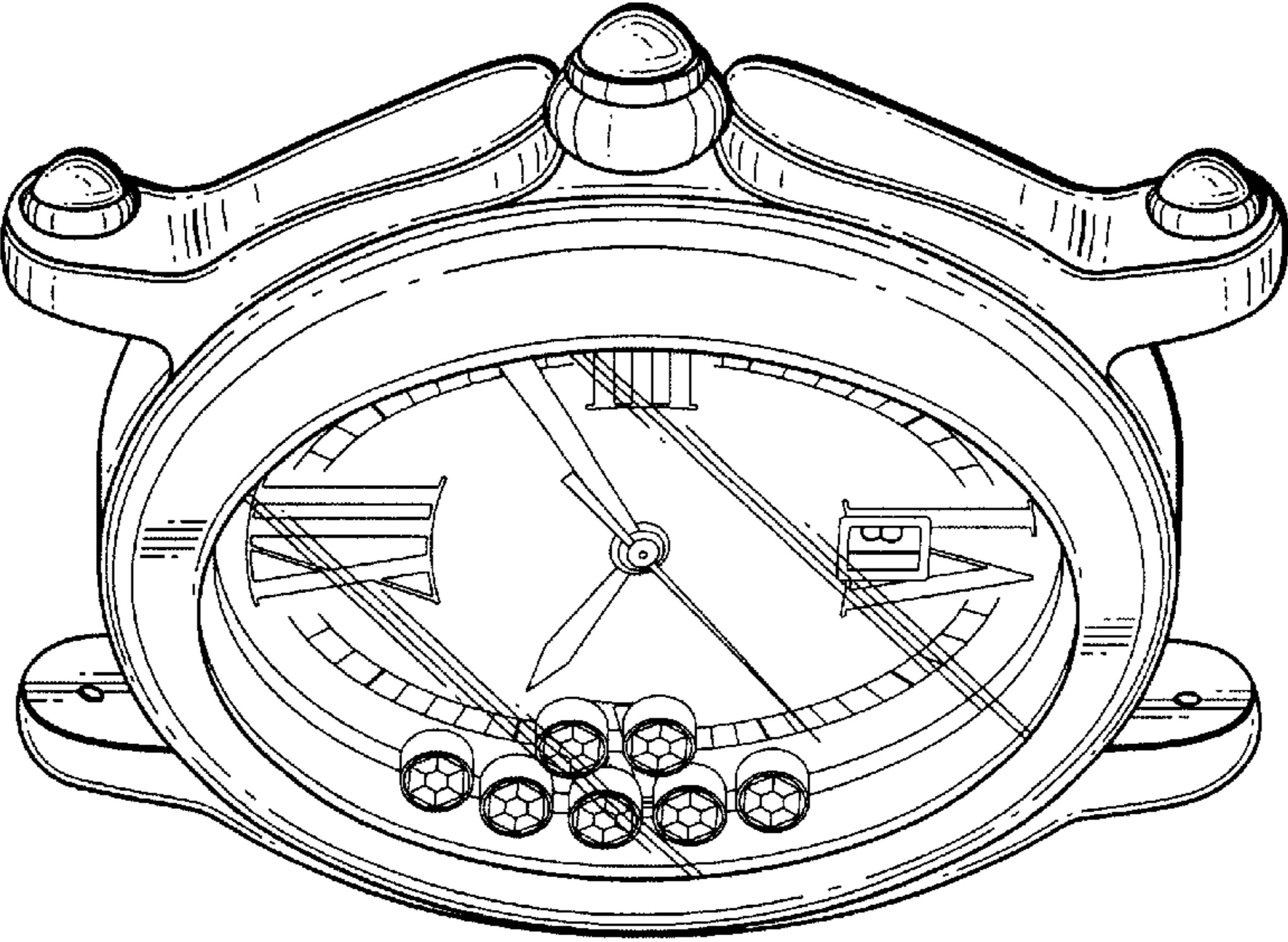


FIG. 7