

US00D509443S

(12) **United States Design Patent**
Emery et al.

(10) **Patent No.:** **US D509,443 S**
(45) **Date of Patent:** **** Sep. 13, 2005**

(54) **BROOCH WATCH**

FOREIGN PATENT DOCUMENTS

(75) Inventors: **R. Blake Emery**, Enumclaw, WA (US);
Kenneth J. Dowd, Issaquah, WA (US);
Kee Sook Jeon, Everett, WA (US)

CH 648177 G * 3/1985 D10/30

* cited by examiner

(73) Assignee: **The Boeing Company**, Chicago, IL (US)

Primary Examiner—Nelson C. Holtje

(74) *Attorney, Agent, or Firm*—John A. Artz, Esq.; Artz & Artz, P.C.

(**) Term: **14 Years**

(57) **CLAIM**

(21) Appl. No.: **29/216,632**

The ornamental design for a brooch watch, as shown and described.

(22) Filed: **Nov. 5, 2004**

DESCRIPTION

(51) **LOC (8) Cl.** **10-02**

(52) **U.S. Cl.** **D10/30**

(58) **Field of Search** D10/1-40, 122-132;
368/280-282, 276-277, 285, 294-295

FIG. 1 is a perspective view of the design of a brooch watch; FIG. 2 is a front view of the design of a brooch watch; FIG. 3 is a back view of the design of a brooch watch; FIG. 4 is a first side view of the design of a brooch watch; FIG. 5 is the other side view of the design of a brooch watch; FIG. 6 is a top view of the design of a brooch watch; and, FIG. 7 is a bottom view of the design of a brooch watch.

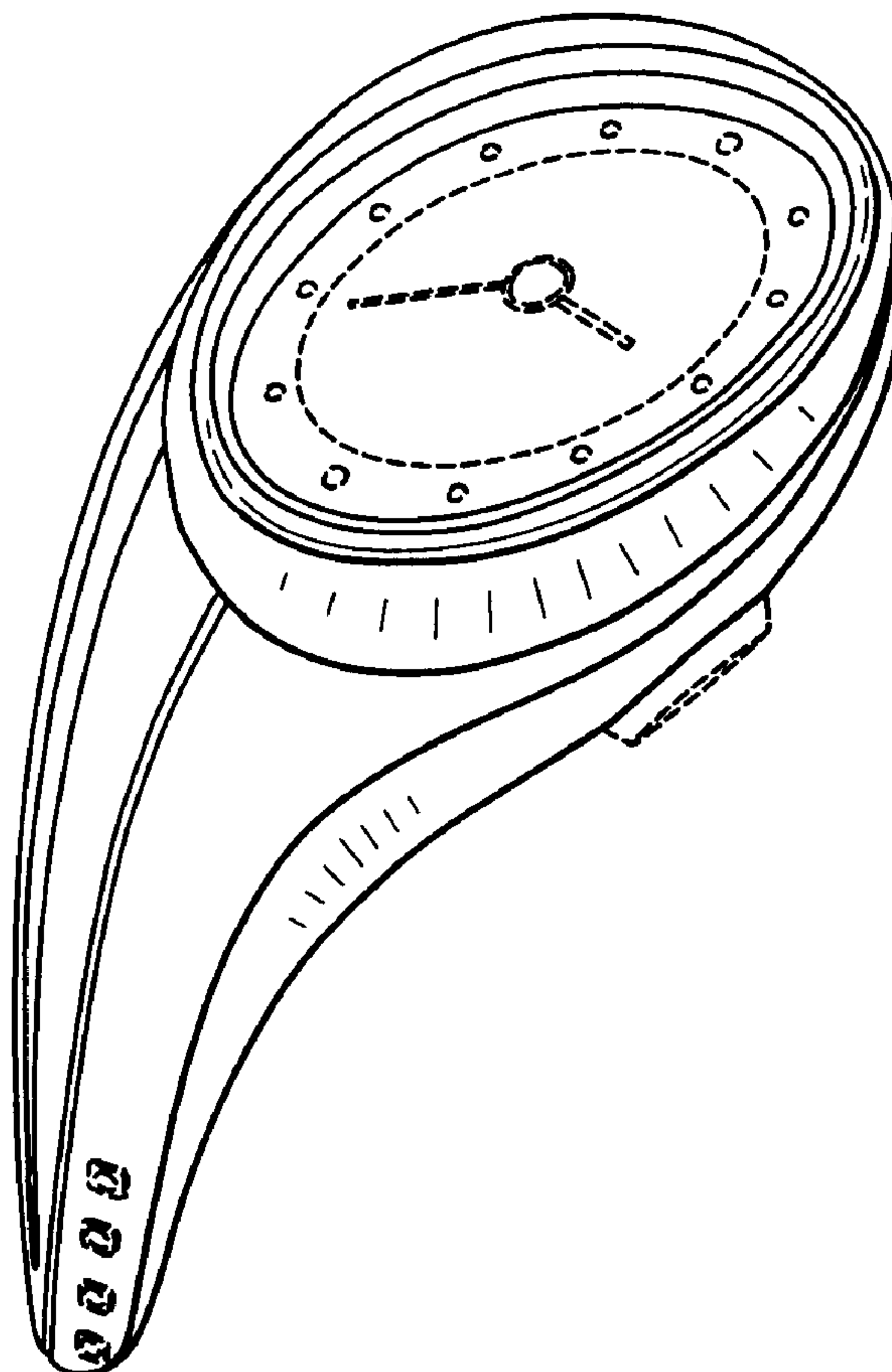
(56) **References Cited**

The broken line showings of dial and closure structures are for illustrative purposes only and form no part of the claimed design.

U.S. PATENT DOCUMENTS

- D61,919 S * 2/1923 Riexinger D12/576
- D73,323 S * 8/1927 Kislinger D10/30
- D184,542 S * 3/1959 Stoll D10/30
- D243,587 S * 3/1977 Ho D10/30
- D415,698 S * 10/1999 Gruosi D10/39
- D494,071 S * 8/2004 Falkenstein et al. D10/39

1 Claim, 1 Drawing Sheet



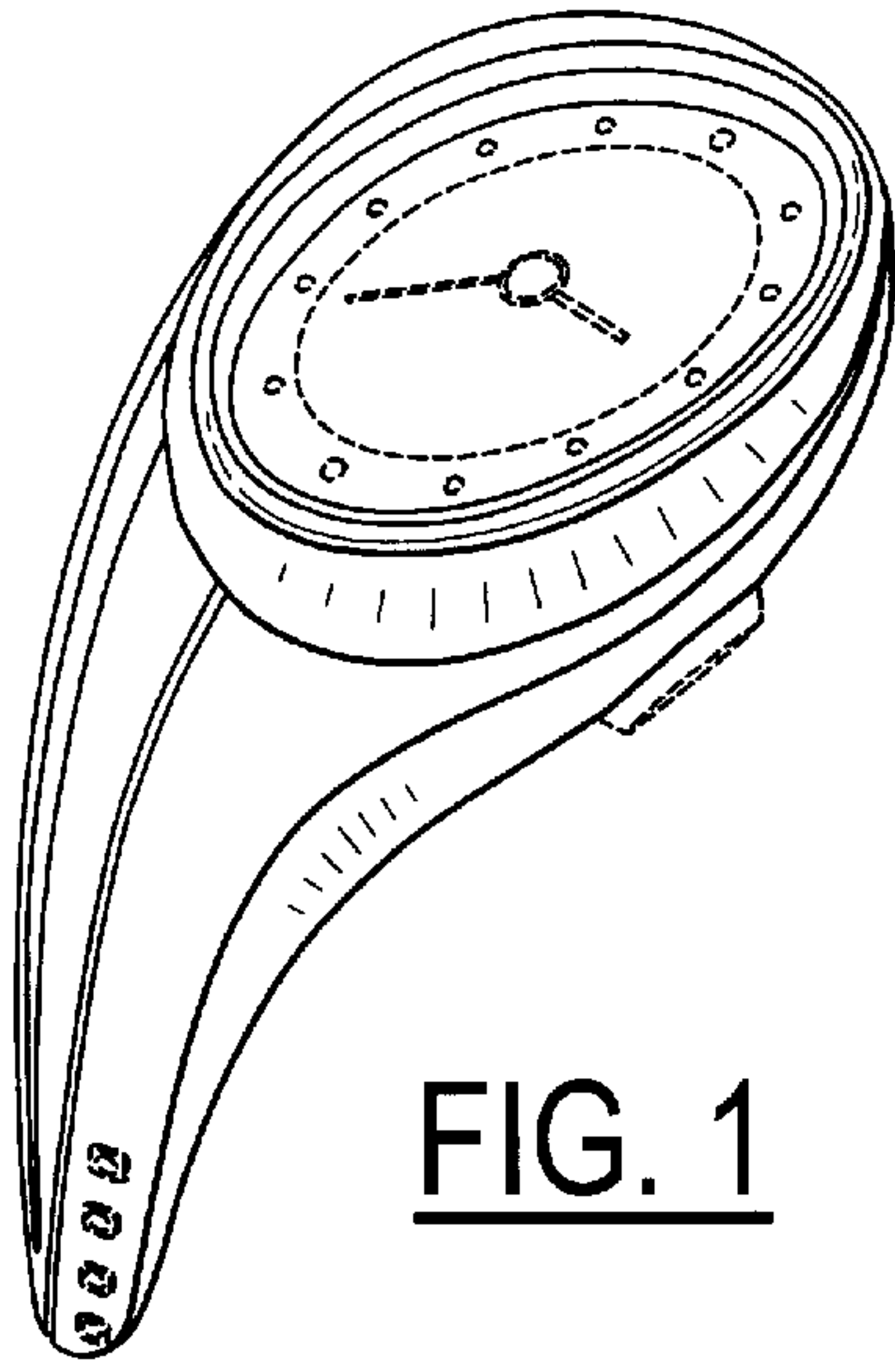


FIG. 1

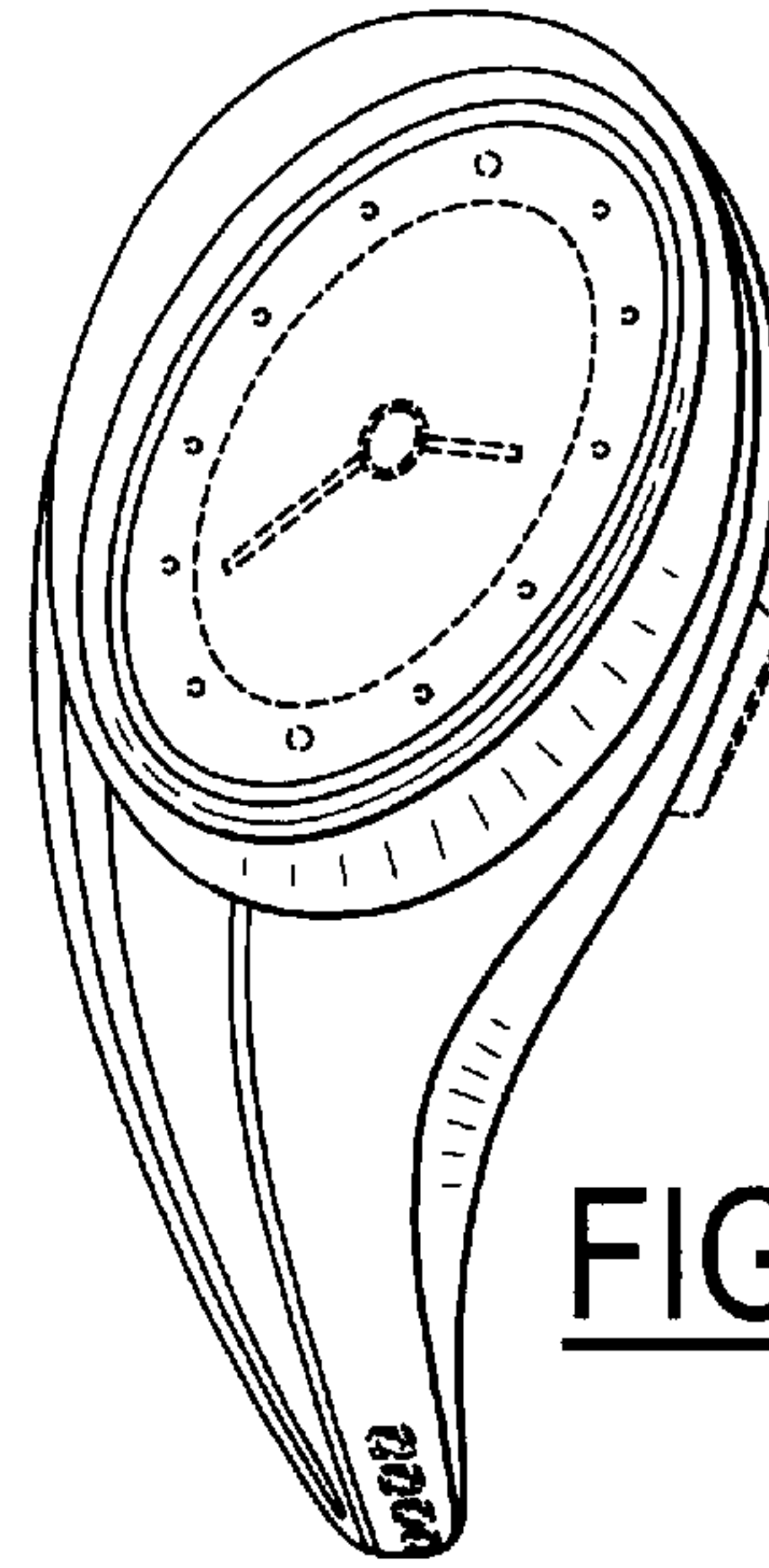


FIG. 2

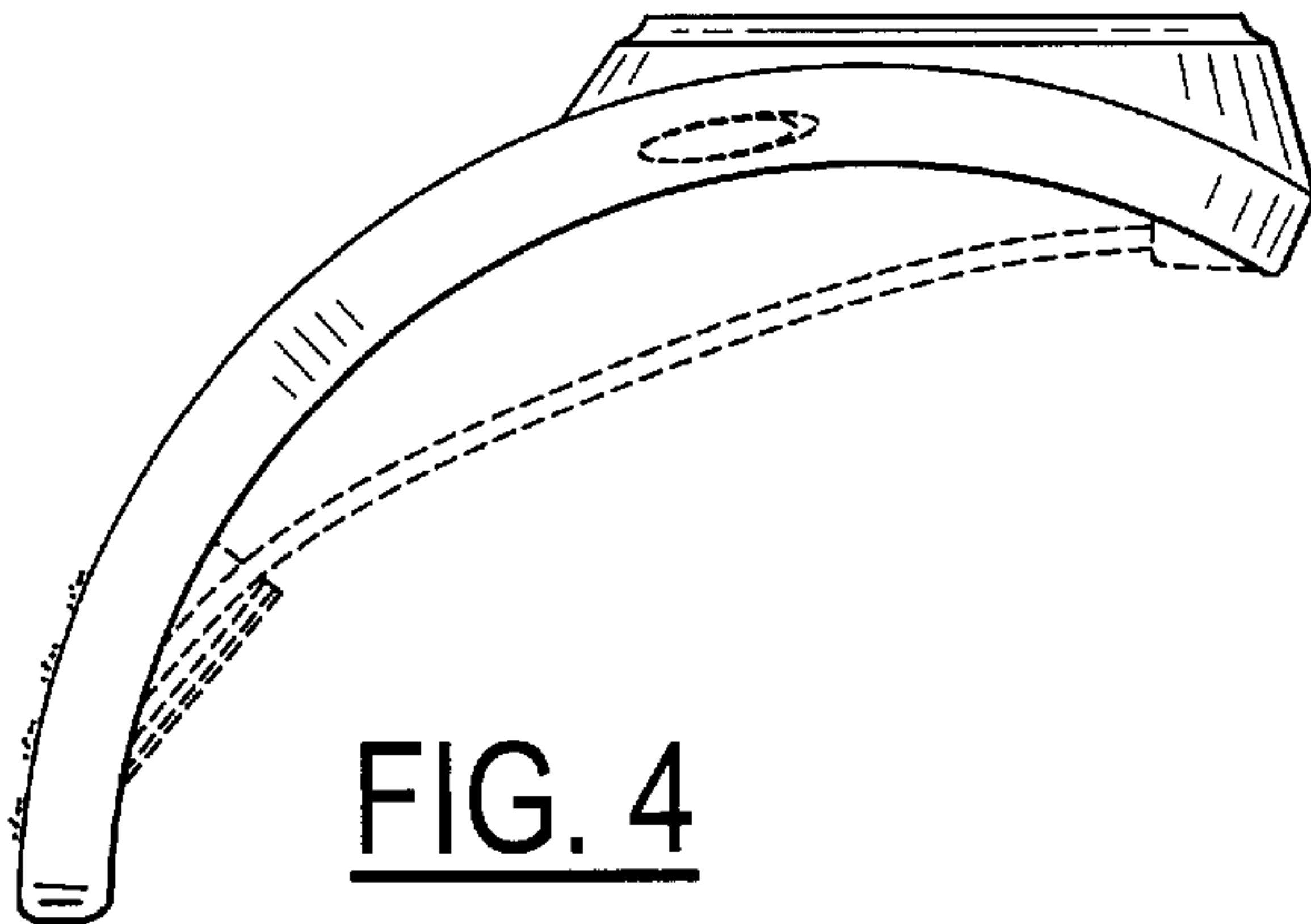


FIG. 4

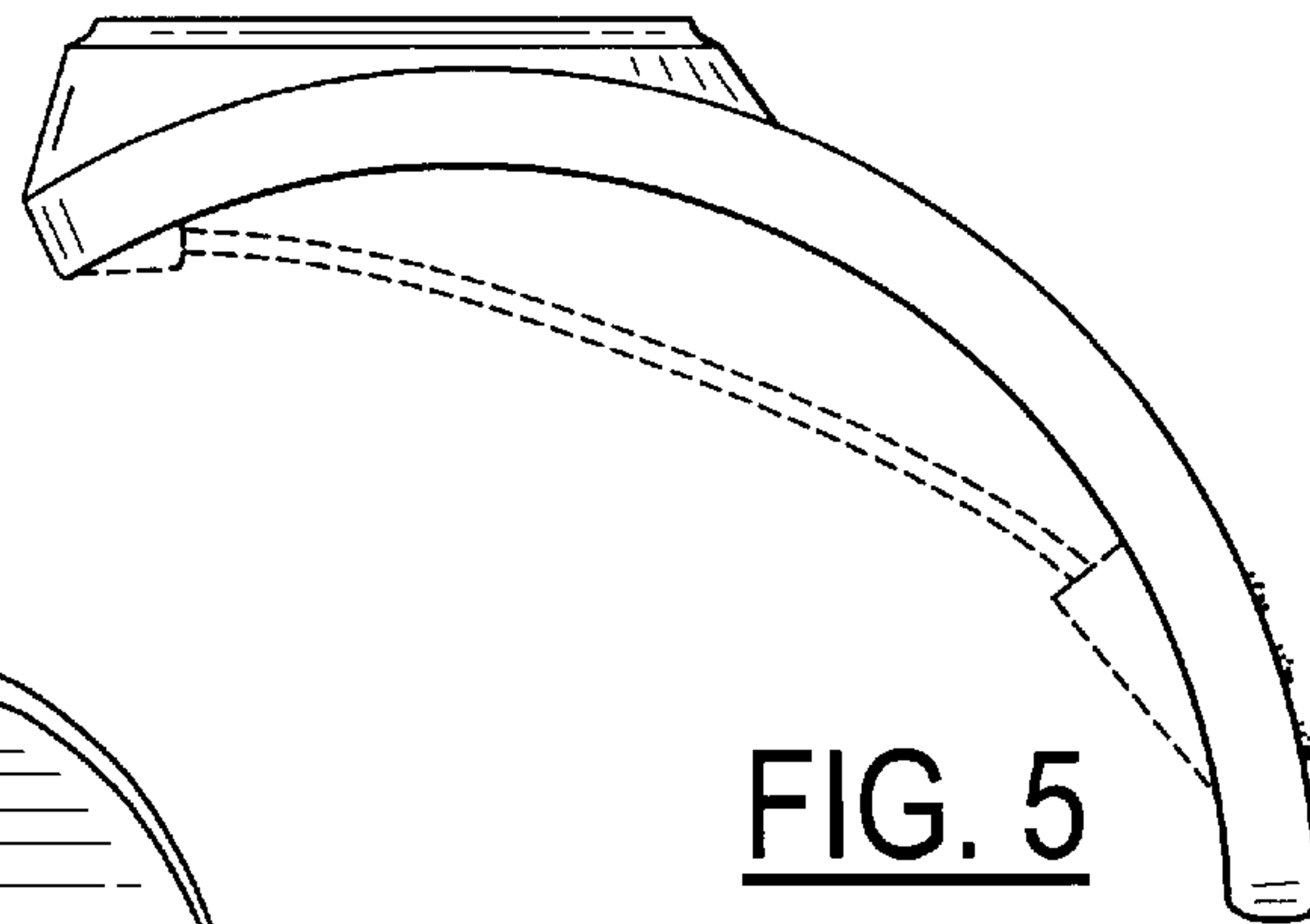


FIG. 5

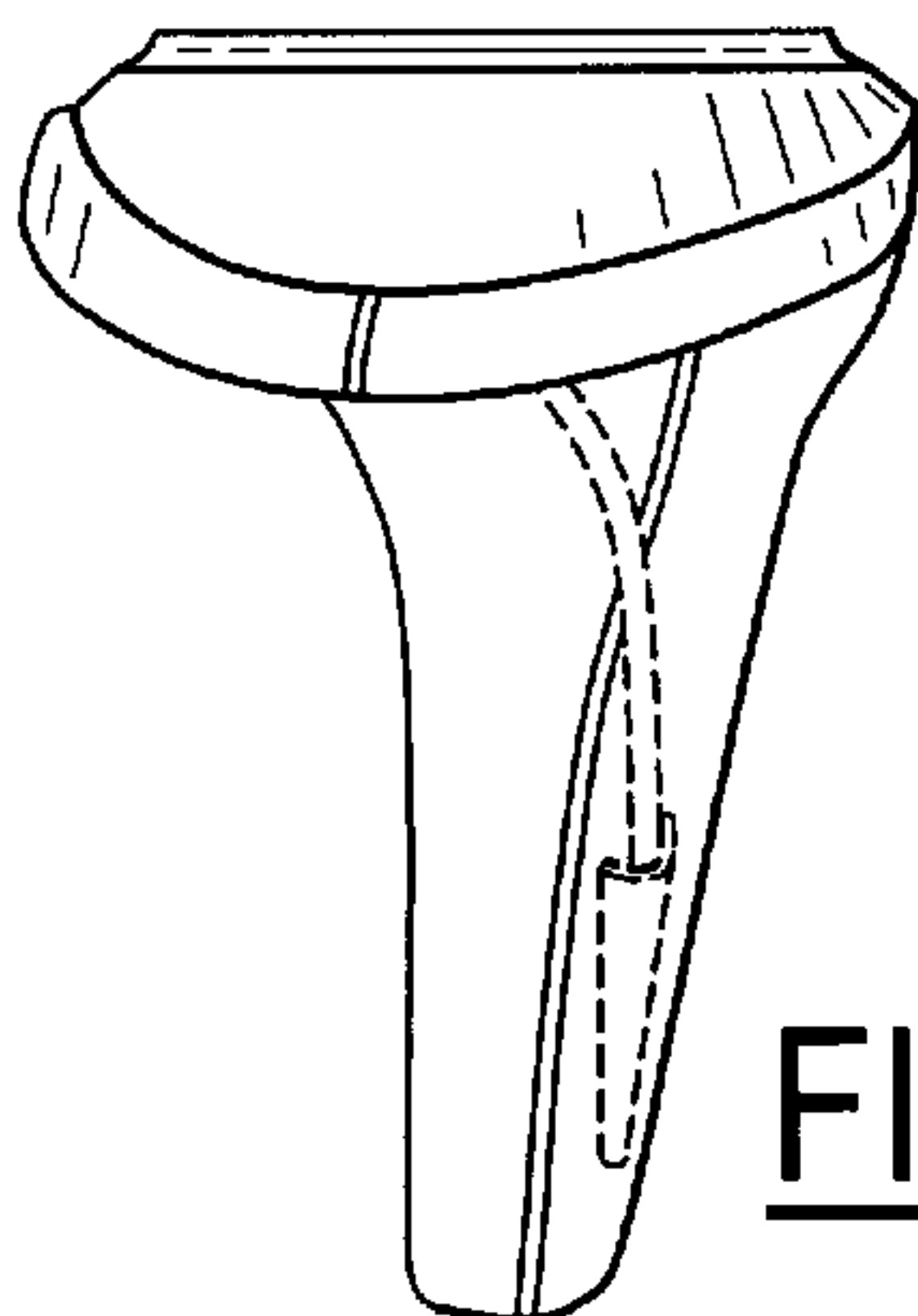


FIG. 6

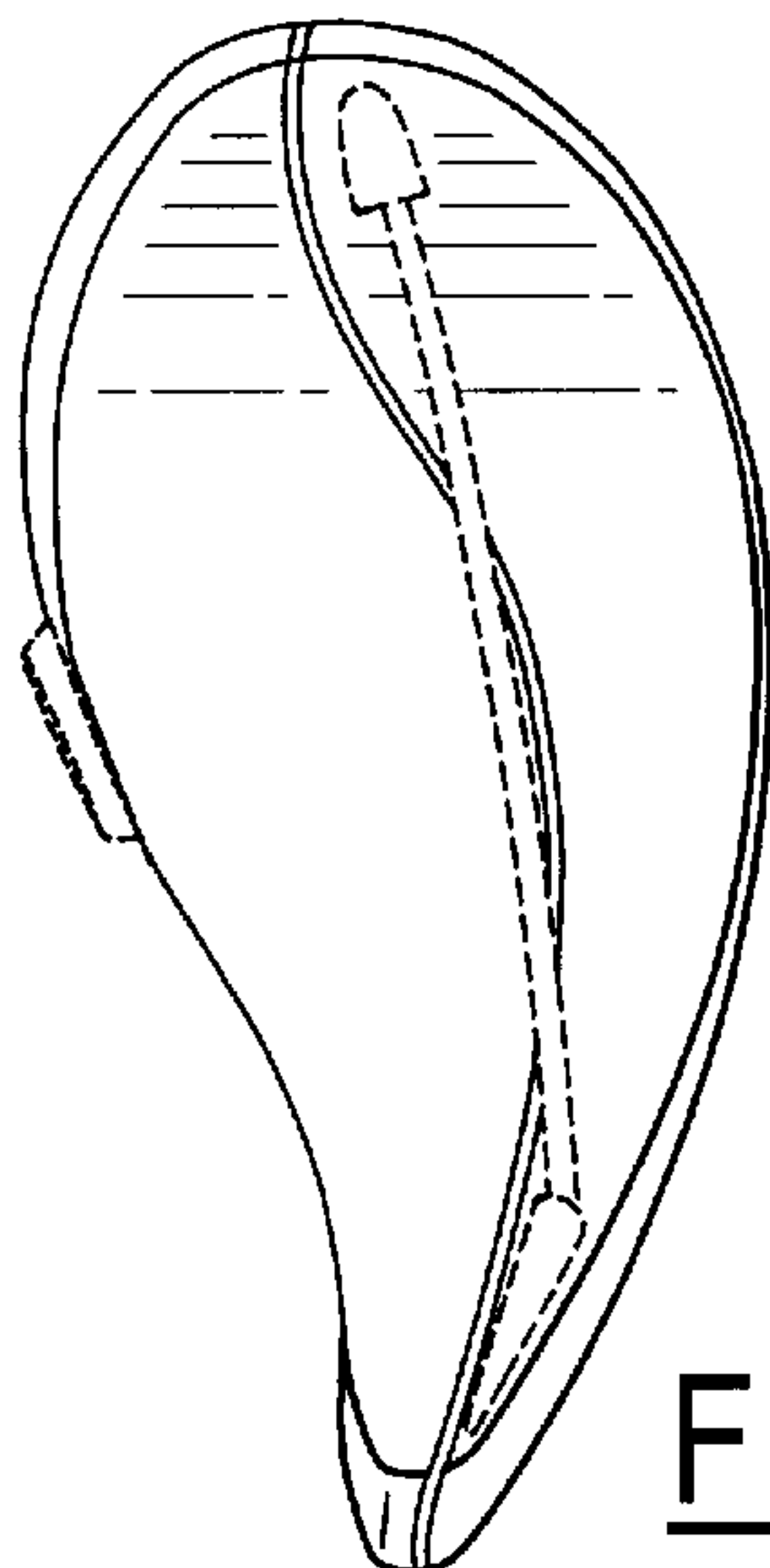


FIG. 3

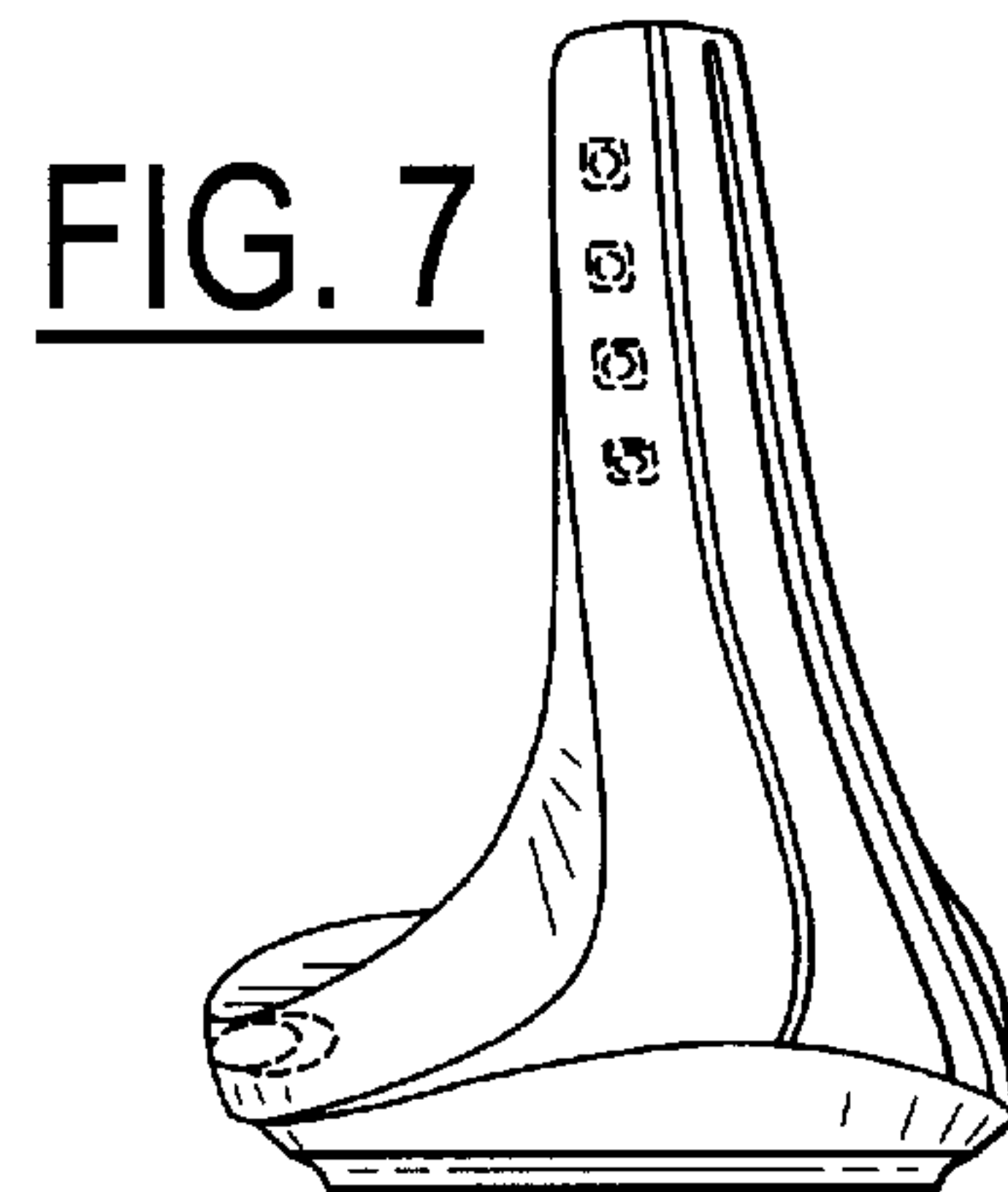


FIG. 7