

US00D509442S

(12) **United States Design Patent** (10) **Patent No.:** **US D509,442 S**  
**Several** (45) **Date of Patent:** **\*\* Sep. 13, 2005**

(54) **PACKAGE FOR GOLF BALLS**

D477,530 S \* 7/2003 von Braun et al. .... D9/753  
D477,996 S \* 8/2003 von Braun et al. .... D9/715  
D482,610 S \* 11/2003 Molitor et al. .... D9/418

(75) Inventor: **Edward G. Several**, Simsbury, CT (US)

\* cited by examiner

(73) Assignee: **Callaway Golf Company**, Carlsbad, CA (US)

*Primary Examiner*—Stella Reid  
*Assistant Examiner*—Mark A. Goodwin  
(74) *Attorney, Agent, or Firm*—Michael A. Catania; Michelle Bugbee

(\*\*) Term: **14 Years**

(21) Appl. No.: **29/194,898**

(57) **CLAIM**

(22) Filed: **Dec. 2, 2003**

The ornamental design for a package for golf balls, as shown and described.

(51) **LOC (8) Cl.** ..... **09-03**

(52) **U.S. Cl.** ..... **D9/756**

(58) **Field of Search** ..... D9/414–418, 432–434, D9/753, 737, 715, 713; 206/175, 176, 173, 194, 178–185, 187–188, 191; 229/117.21, 161, 162, 100, 120.02, 120.08, 120.24

**DESCRIPTION**

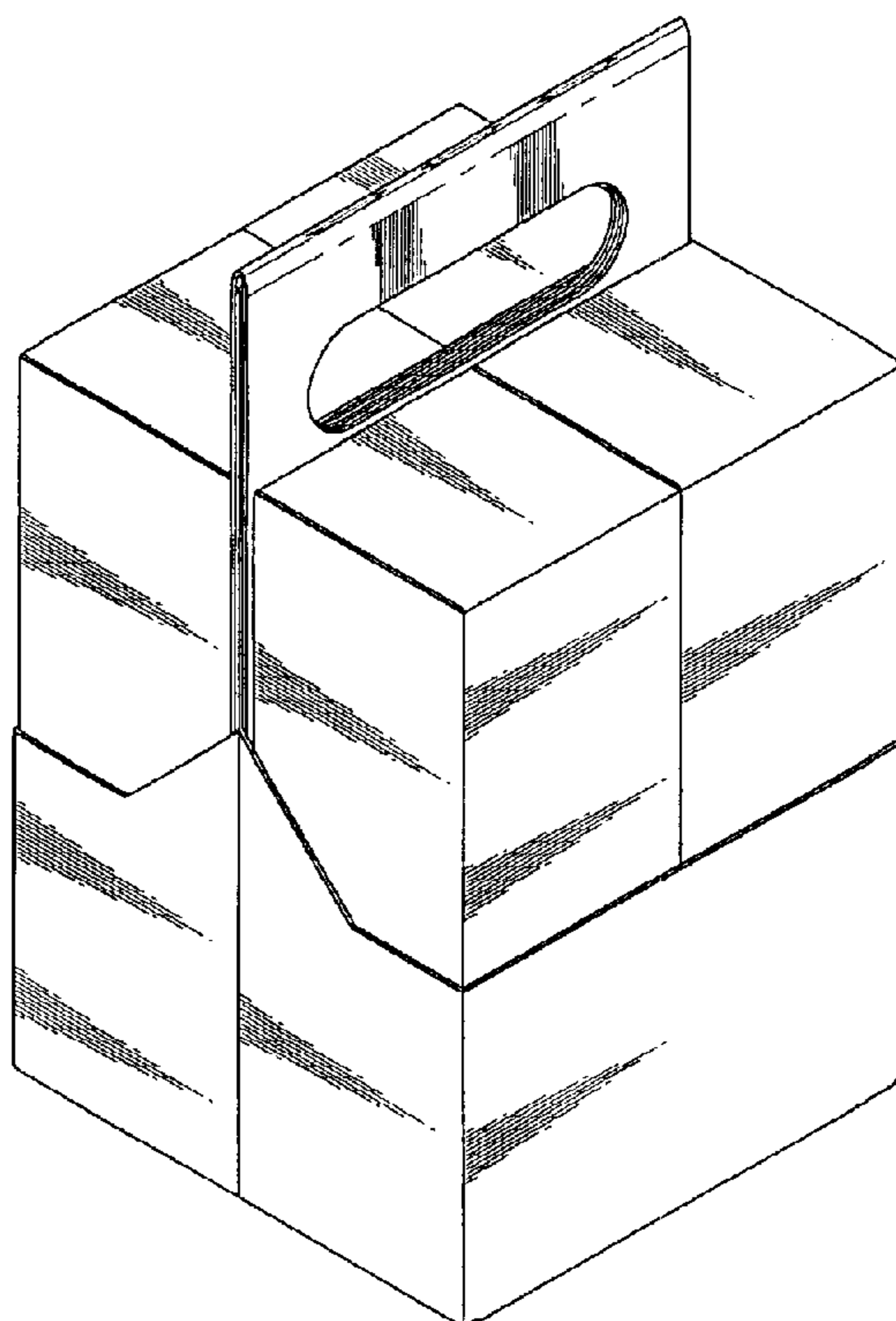
(56) **References Cited**

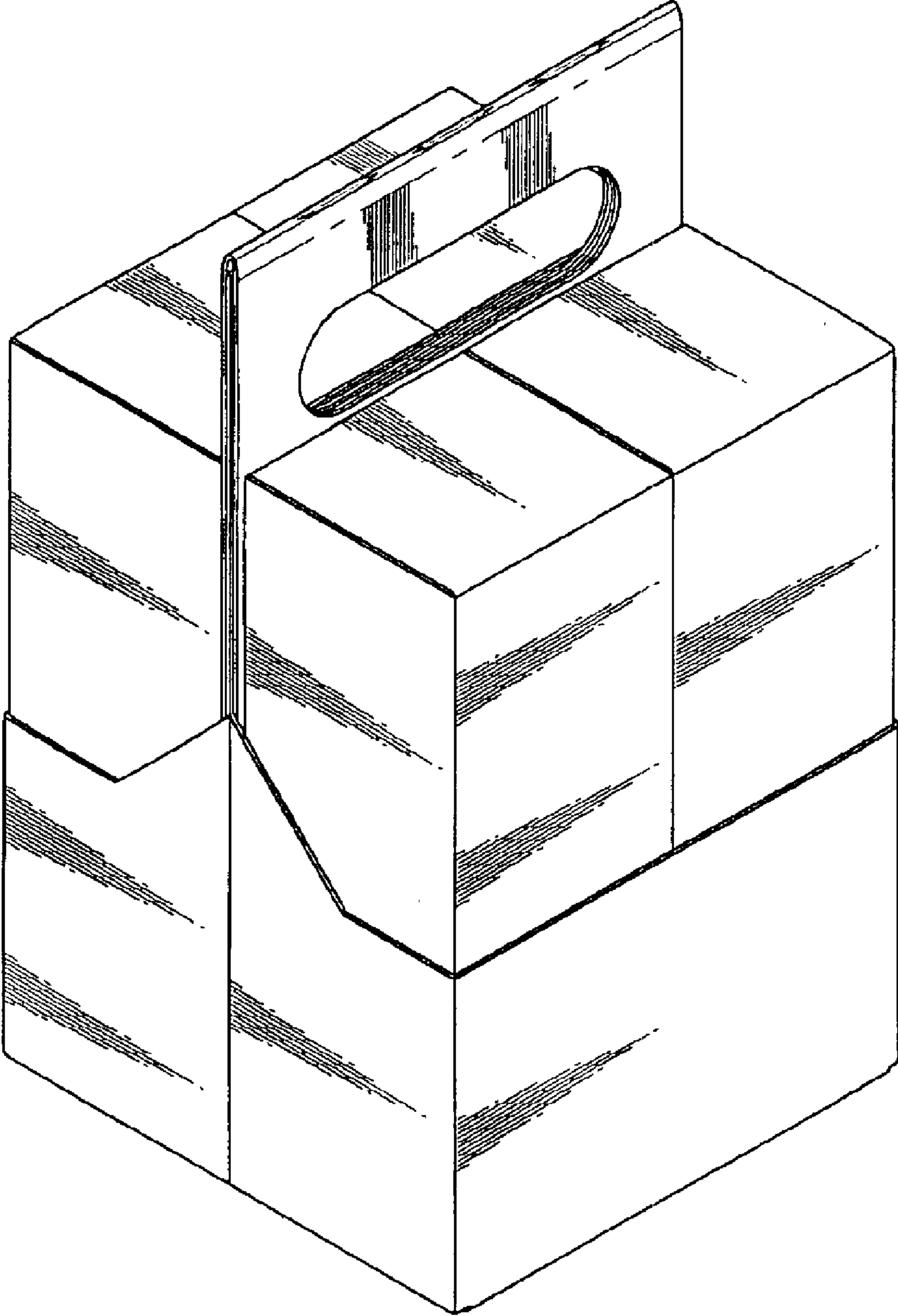
**U.S. PATENT DOCUMENTS**

- 1,676,975 A \* 7/1928 Anderson et al. .... 473/180
- 1,829,533 A \* 10/1931 Ondricek ..... 229/117.13
- 3,311,289 A 3/1967 French
- 5,337,943 A 8/1994 Hendren
- 5,590,762 A \* 1/1997 Harrelson ..... 206/162
- D394,386 S \* 5/1998 Fischer ..... D9/432
- 5,979,645 A \* 11/1999 Holley, Jr. .... 206/175
- 6,041,920 A \* 3/2000 Hart et al. .... 206/175
- D470,403 S \* 2/2003 Molitor et al. .... D9/713

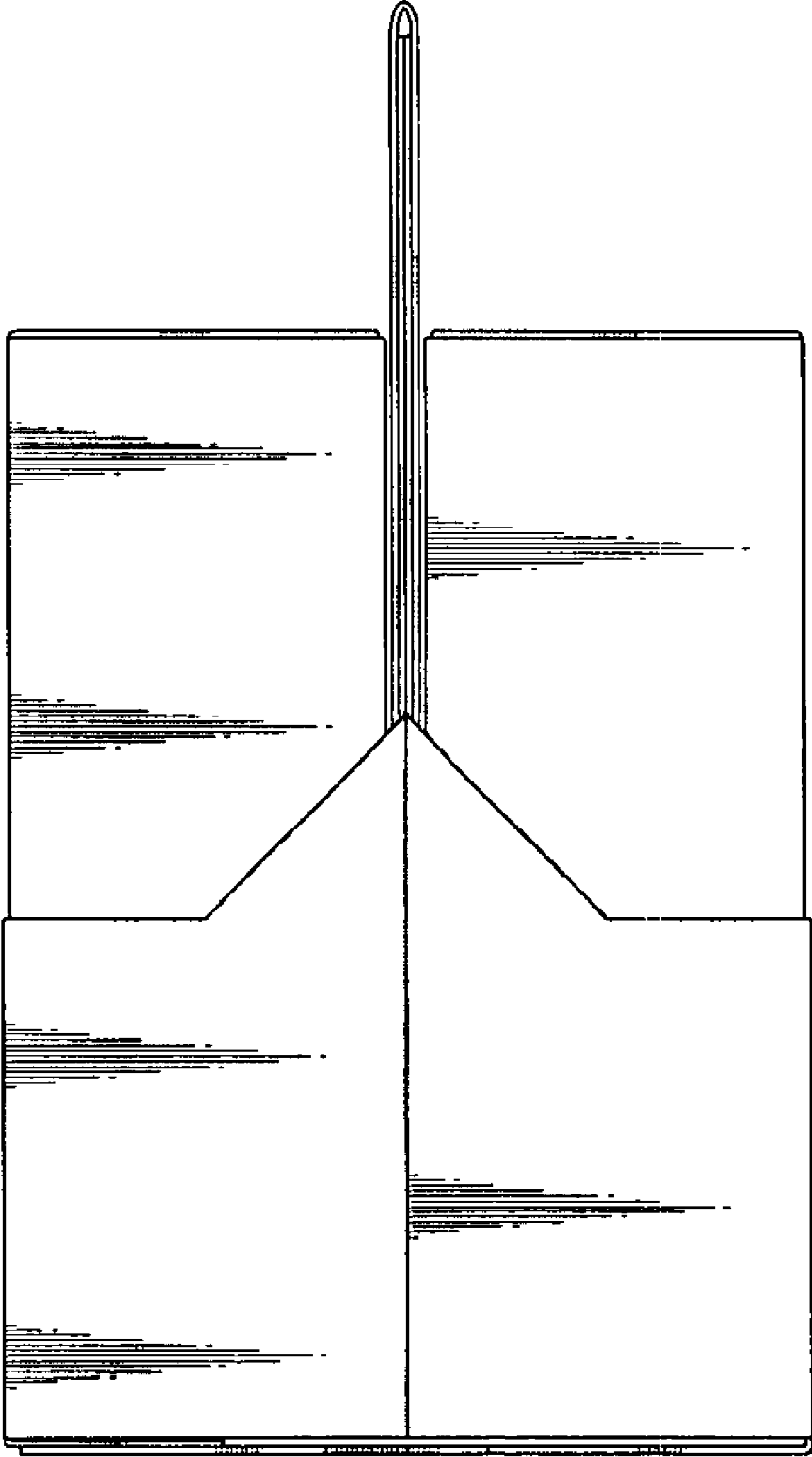
FIG. 1 is a top plan view of a package for golf balls showing my new design;  
FIG. 2 is a first side plan view thereof;  
FIG. 3 is a front plan view thereof;  
FIG. 4 is a second side plan view thereof;  
FIG. 5 is a top plan view thereof;  
FIG. 6 is a bottom plan view thereof;  
FIG. 7 is a top plan view of a second embodiment of a package for golf balls showing my new design;  
FIG. 8 is a first side plan view thereof;  
FIG. 9 is a front plan view thereof;  
FIG. 10 is a second side plan view thereof;  
FIG. 11 is a top plan view thereof; and,  
FIG. 12 is a bottom plan view thereof.

**1 Claim, 10 Drawing Sheets**

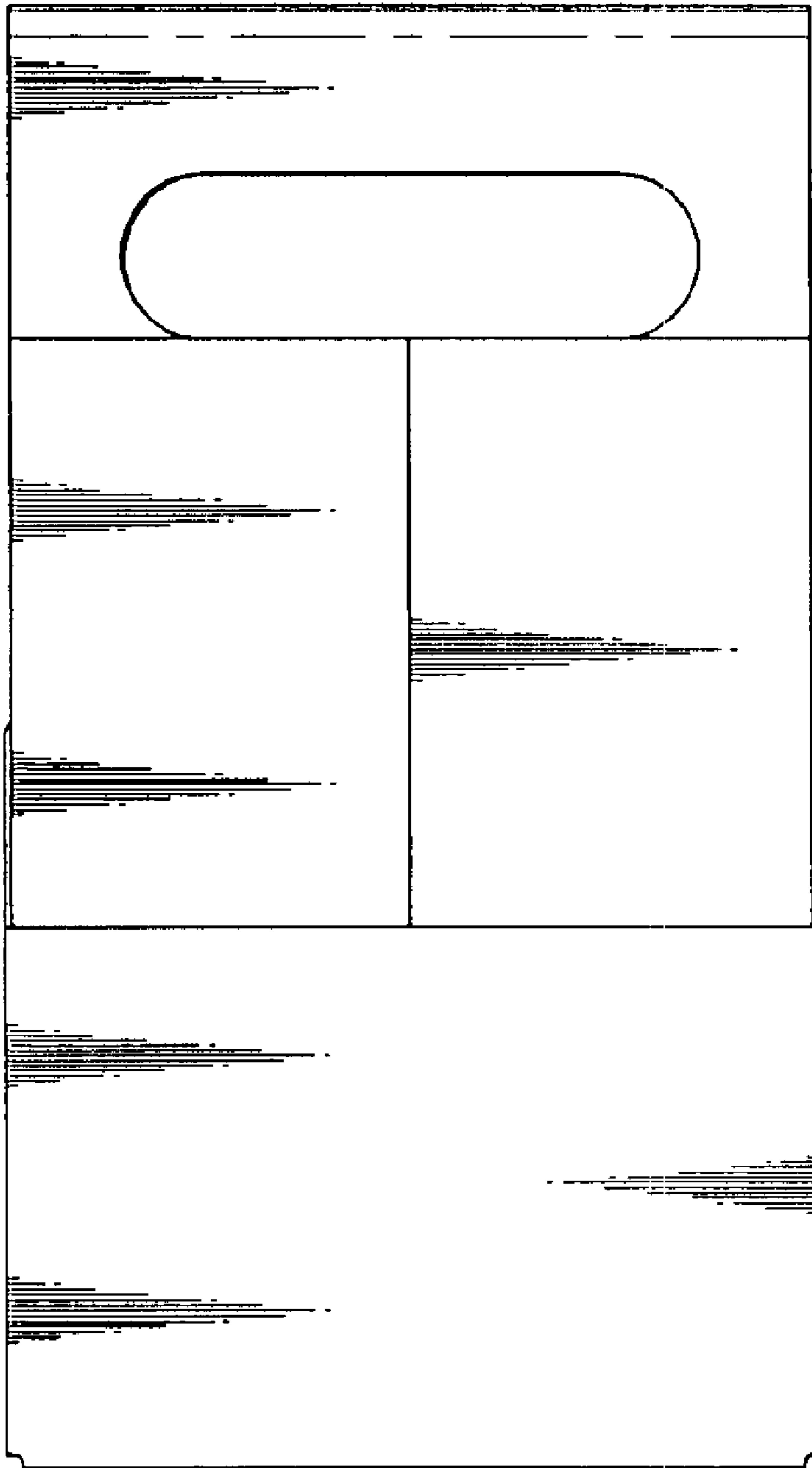




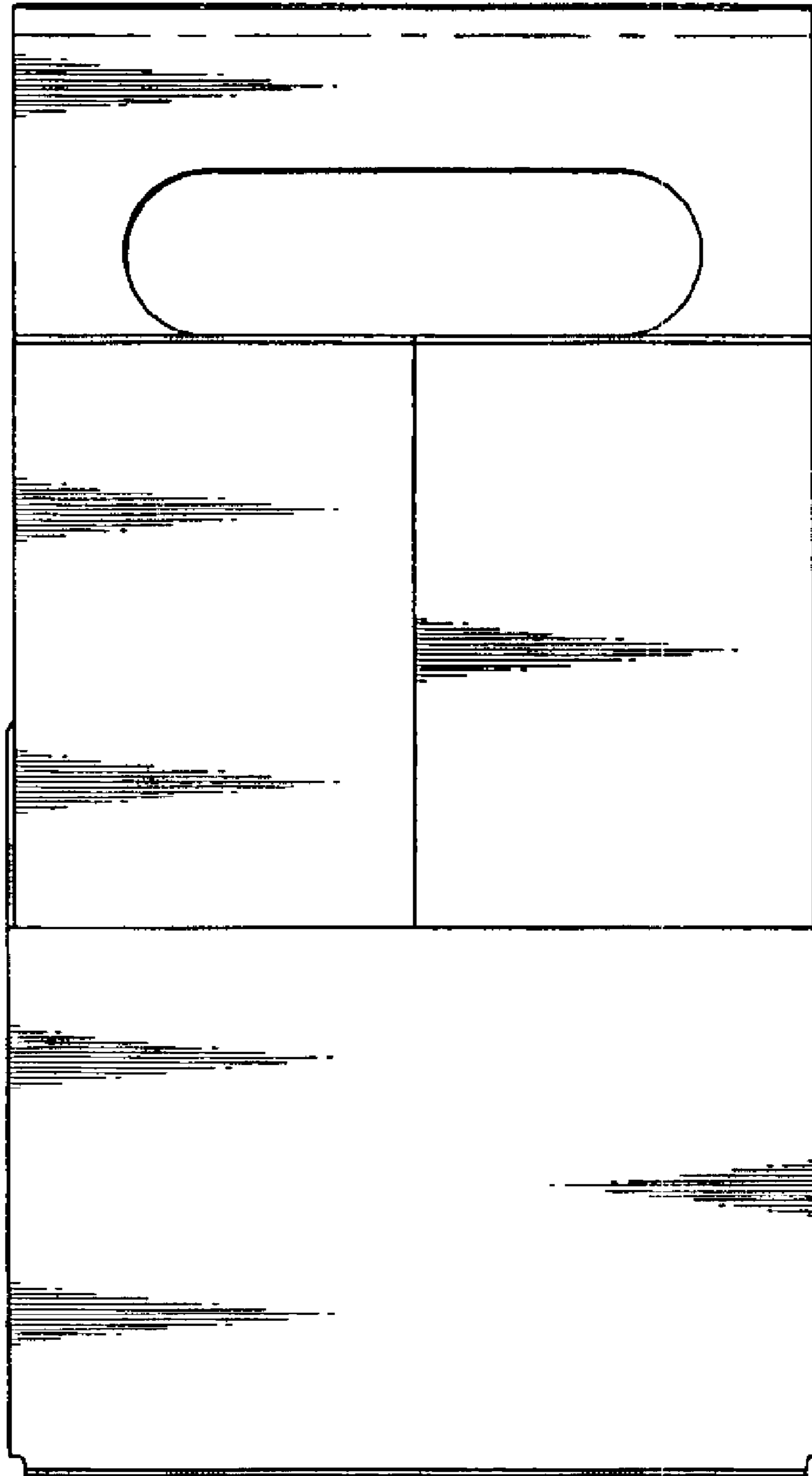
*FIG. 1*



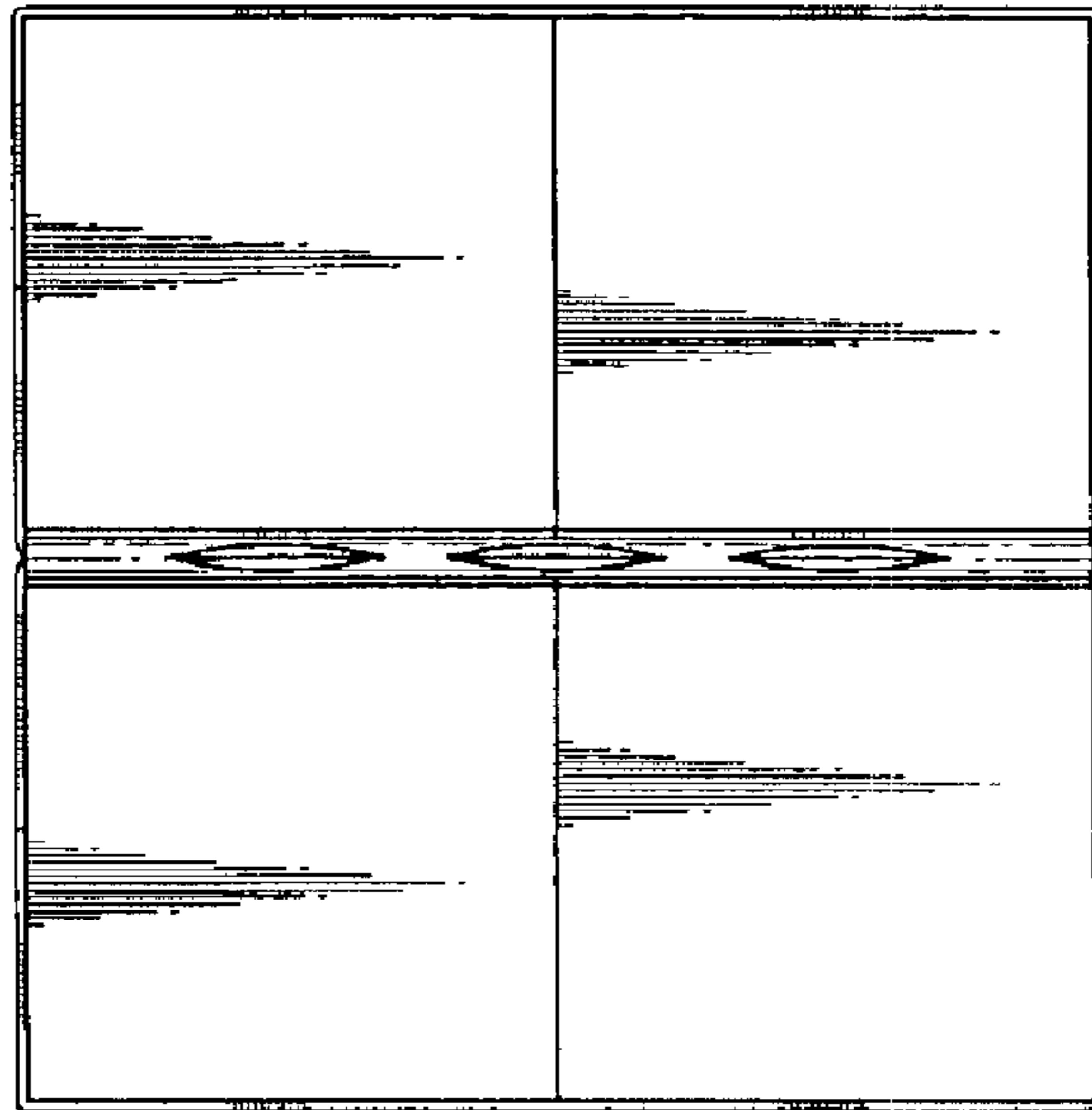
*FIG. 2*



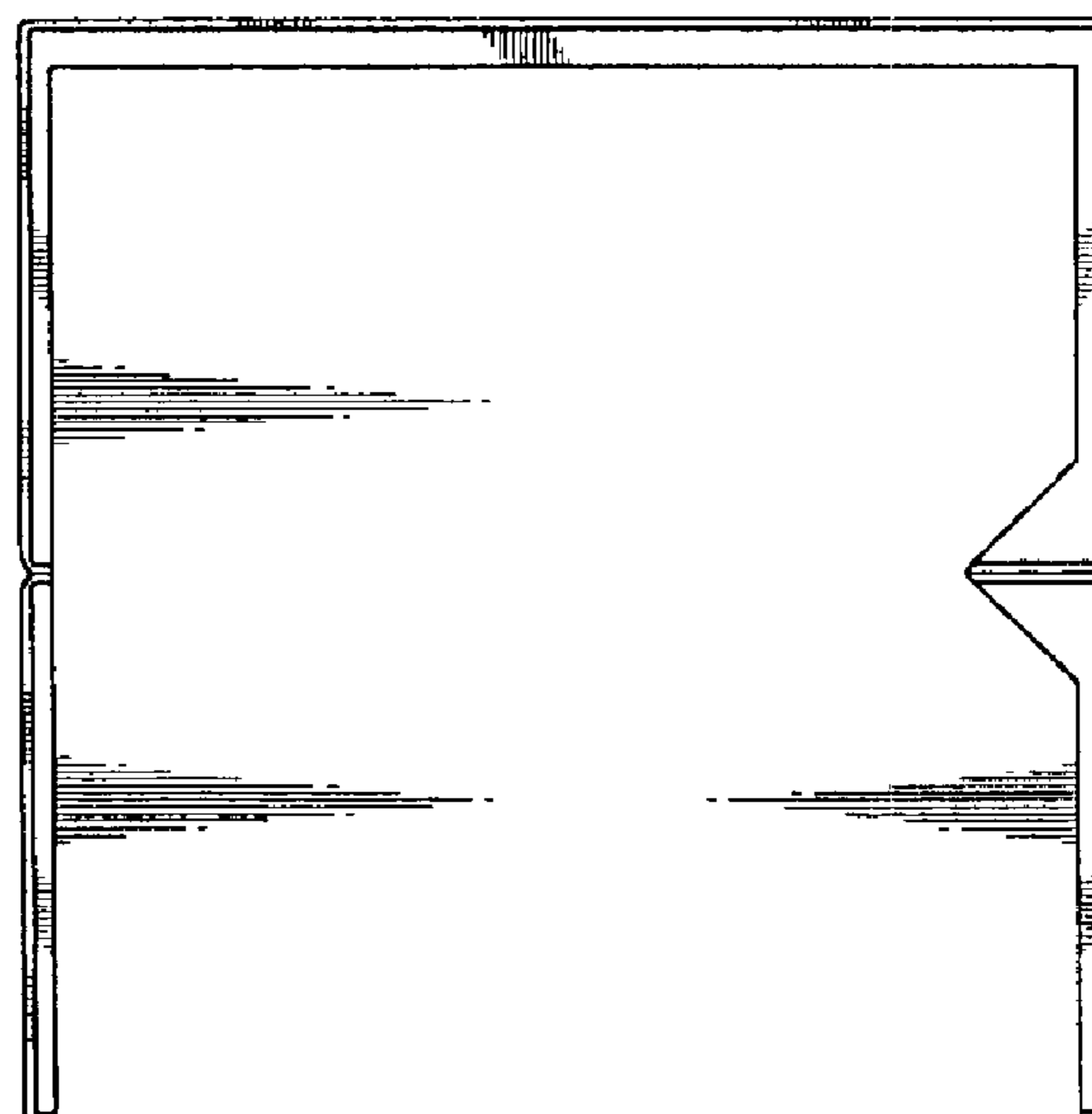
*FIG. 3*



*FIG. 4*



*FIG. 5*



*FIG. 6*

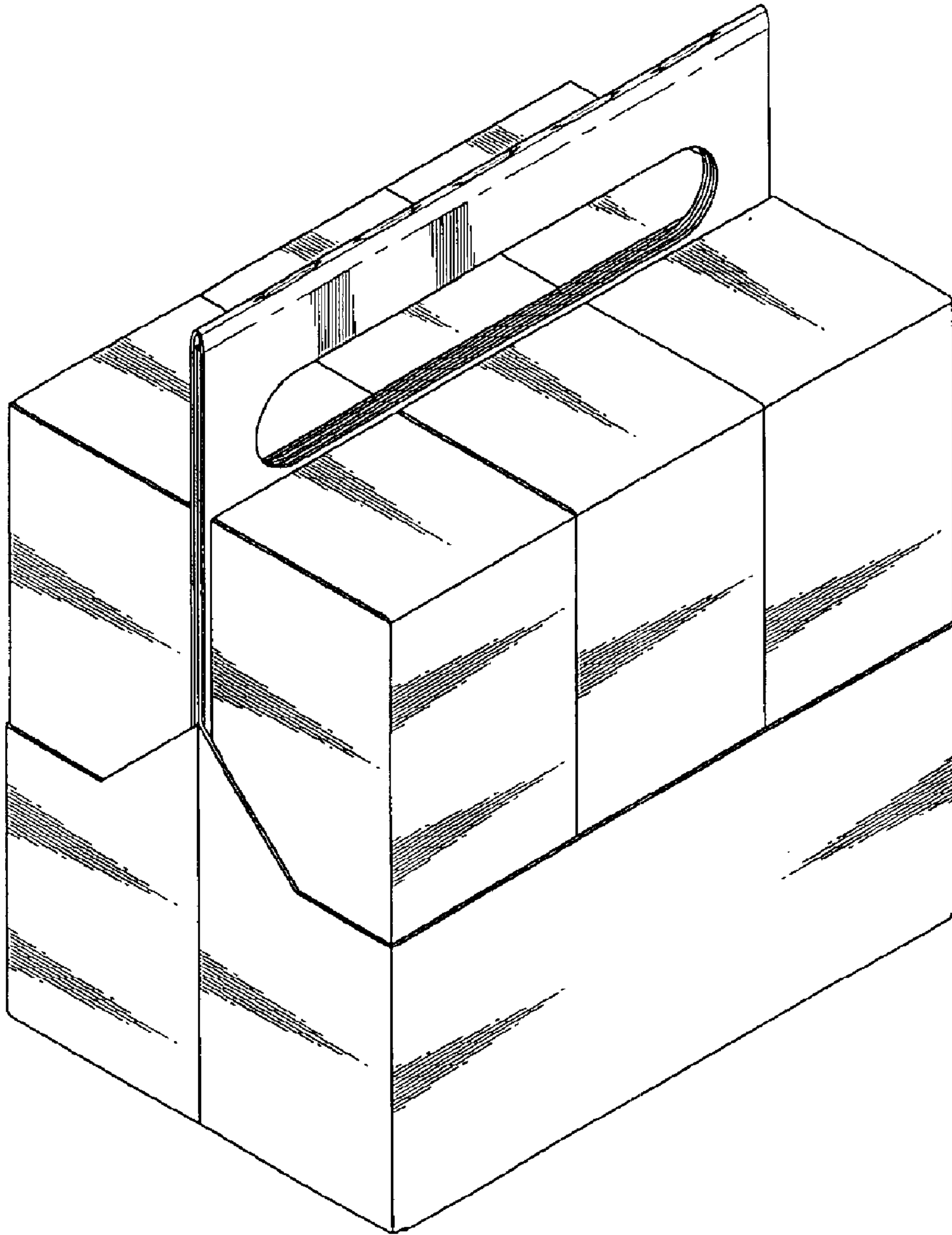
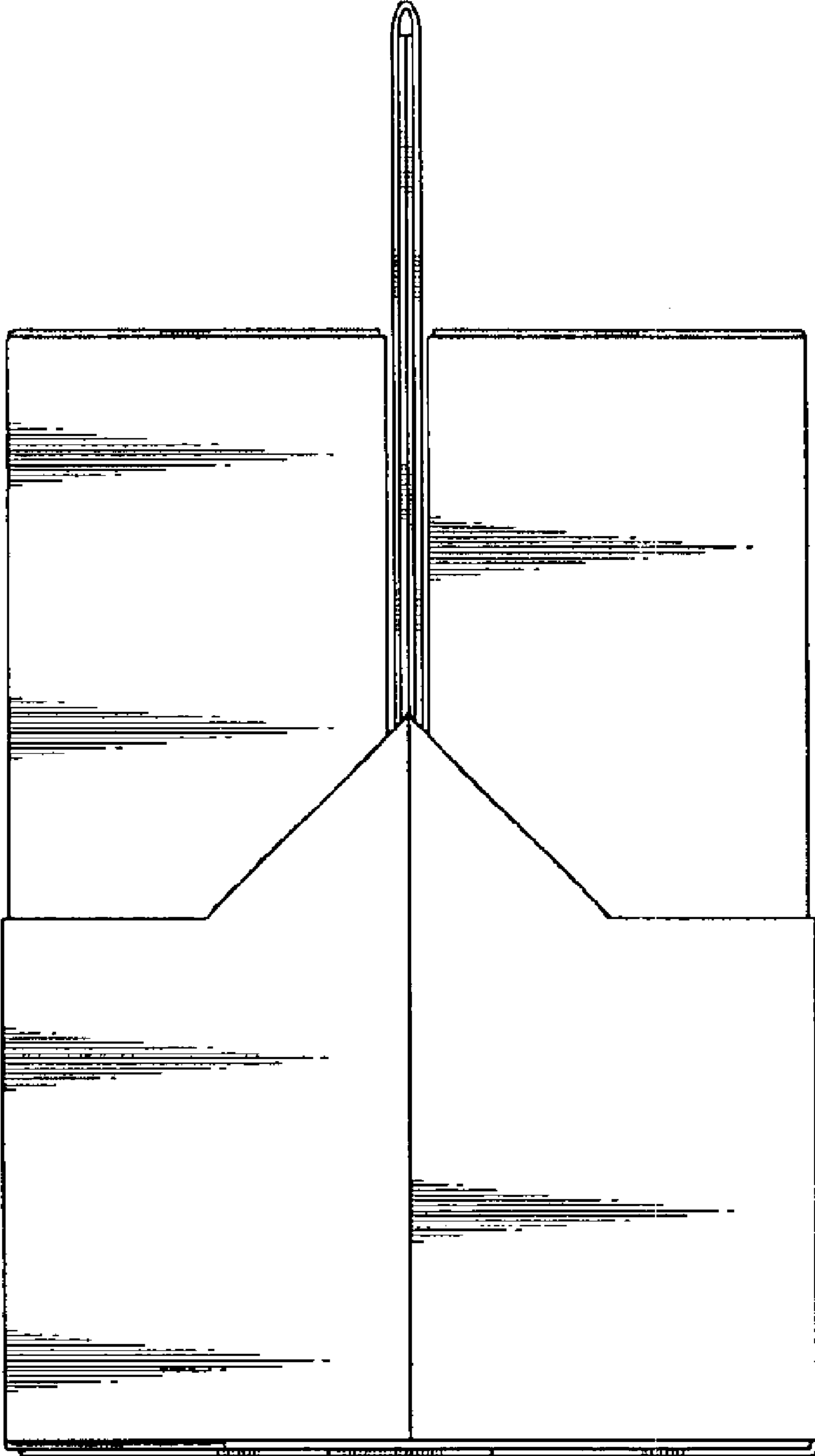
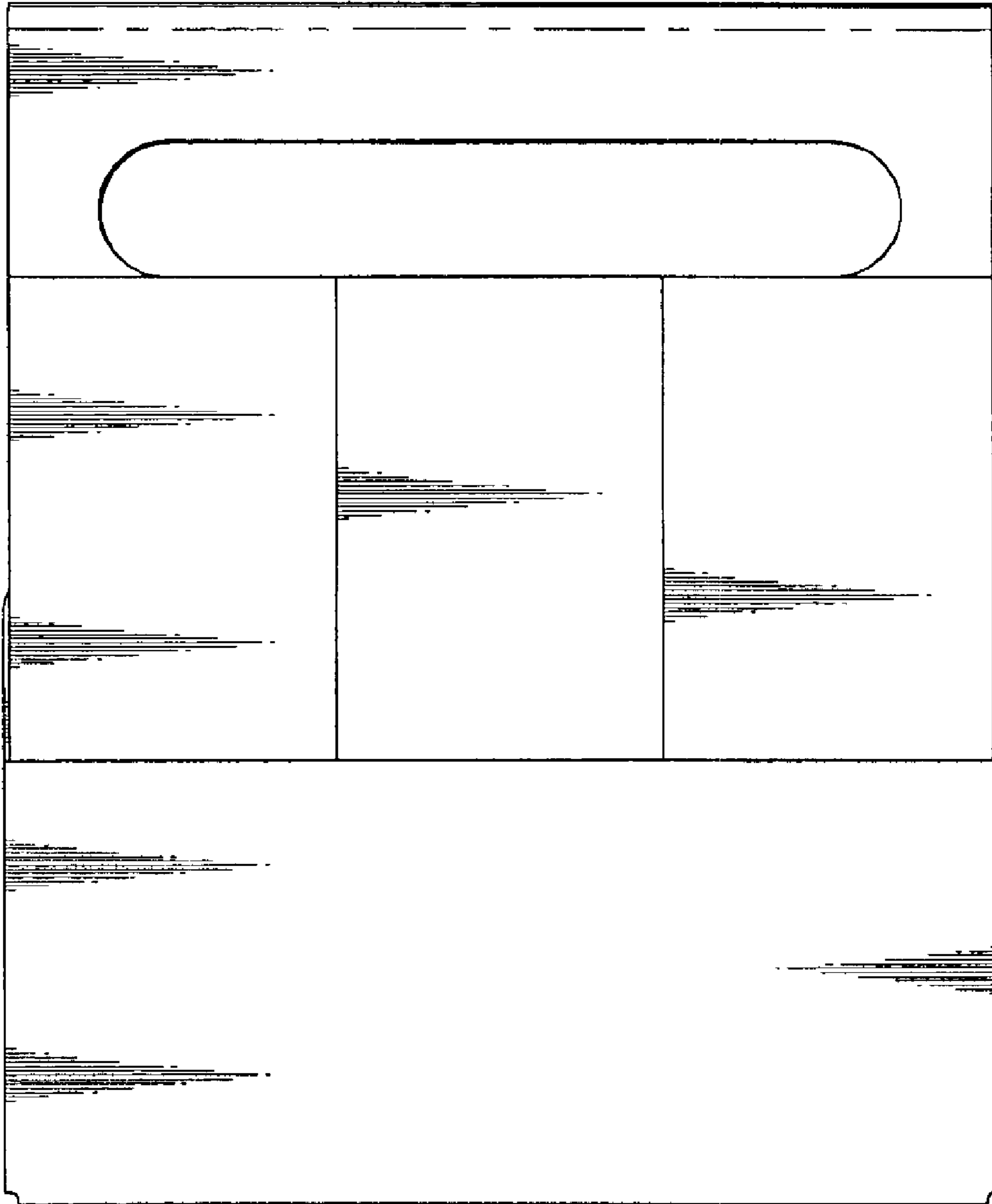


FIG. 7

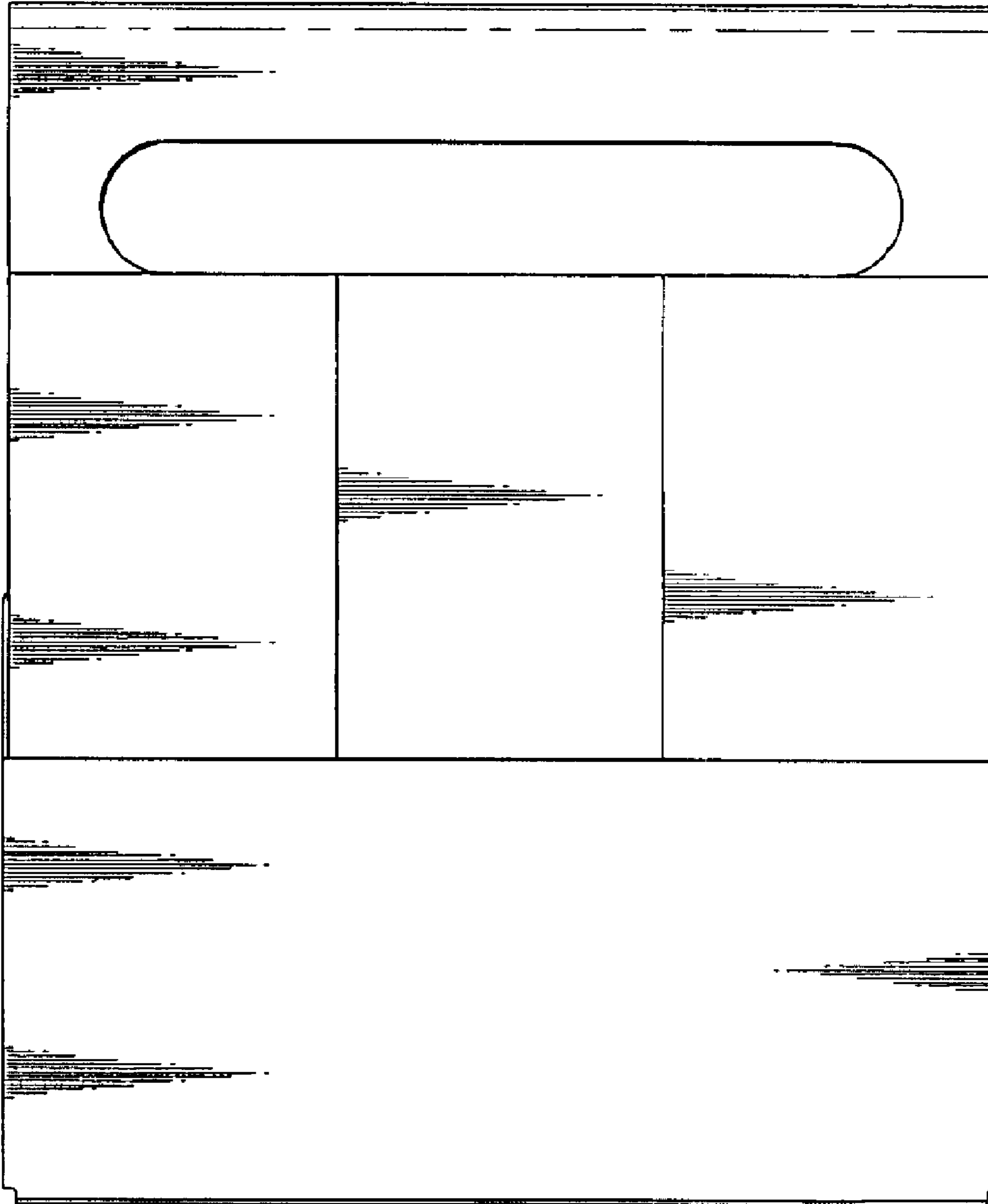


*FIG. 8*

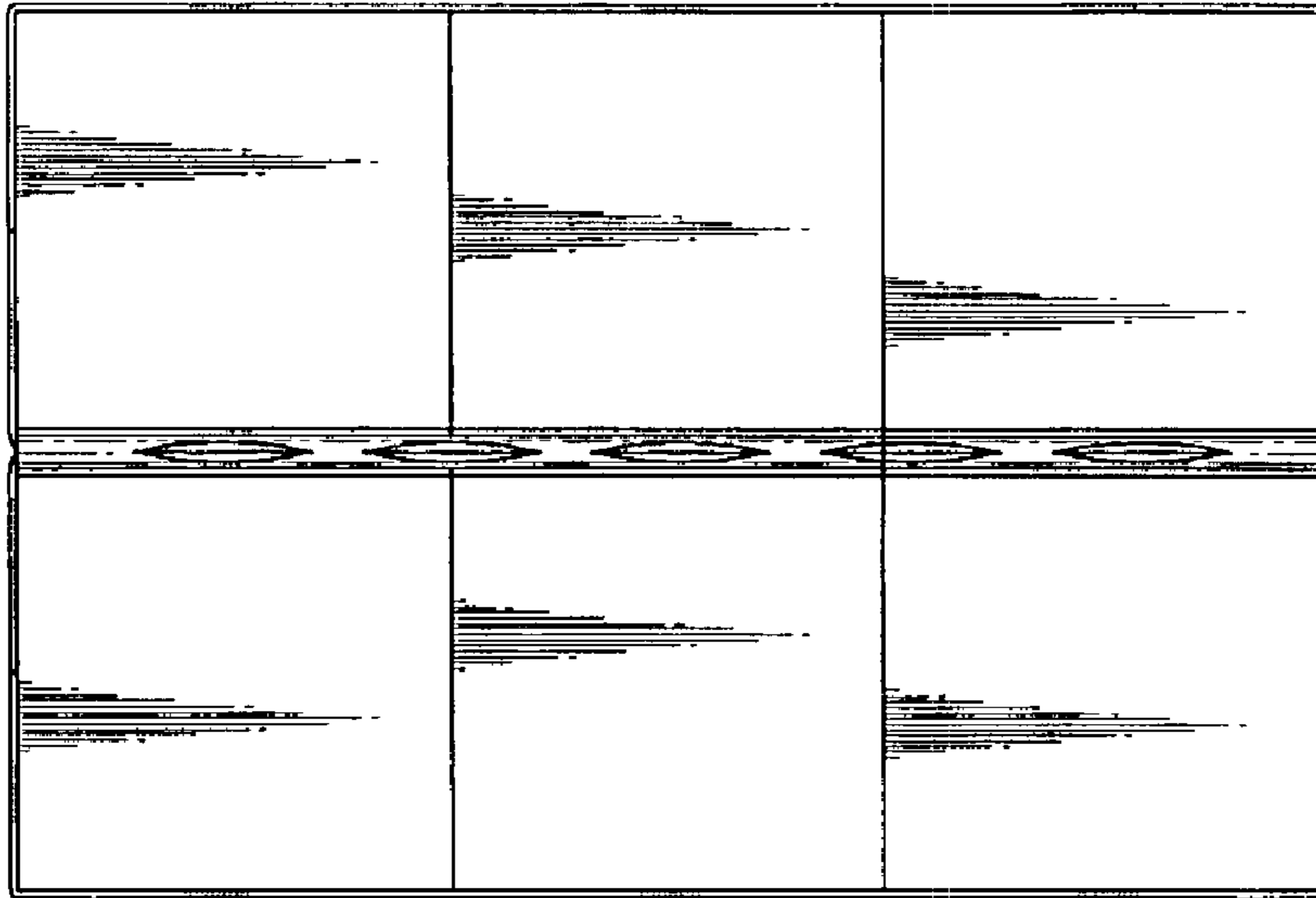




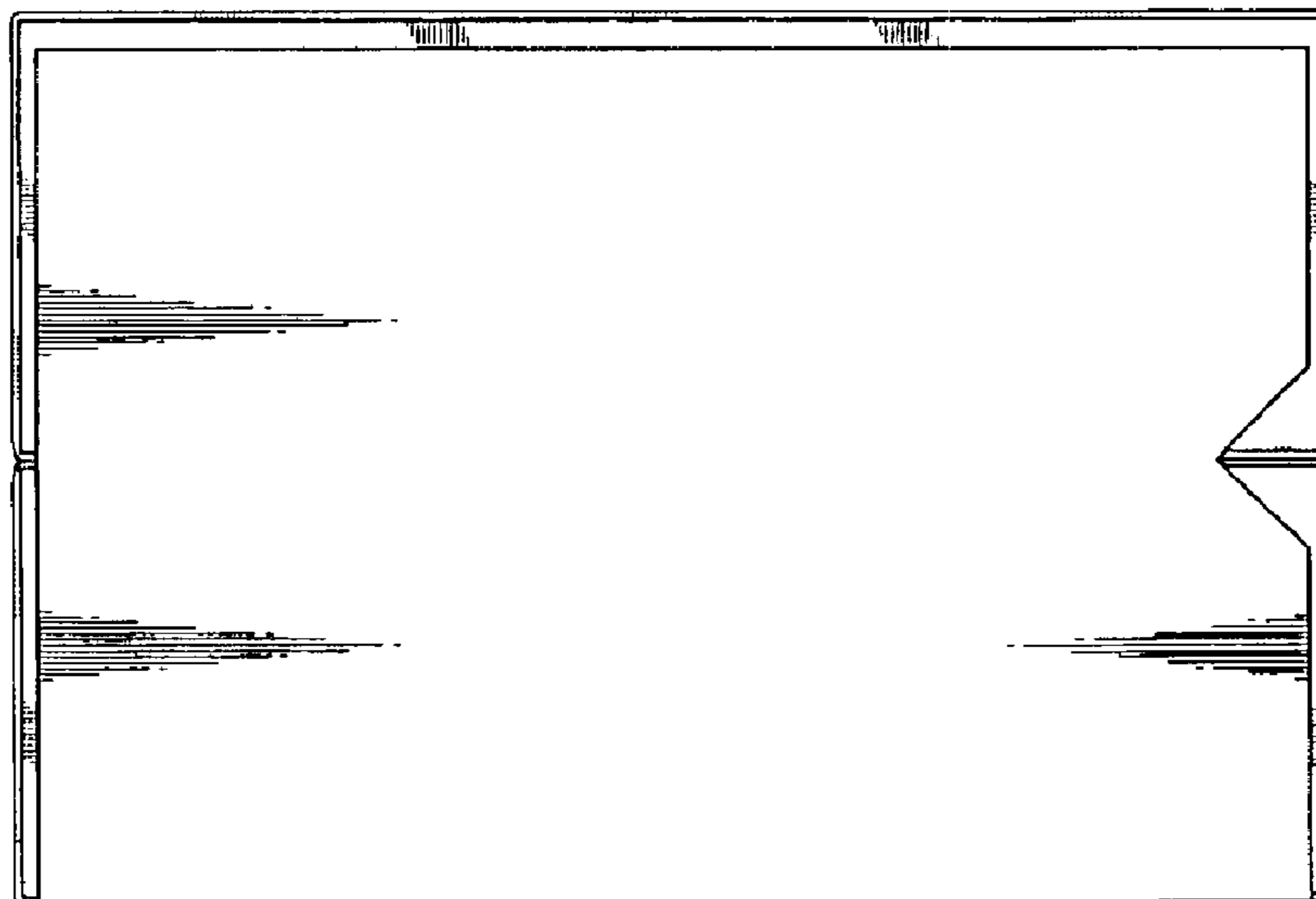
*FIG. 9*



*FIG. 10*



*FIG. 11*



*FIG. 12*