



US00D509435S

(12) **United States Design Patent**
Rosson

(10) **Patent No.:** **US D509,435 S**
(45) **Date of Patent:** **** Sep. 13, 2005**

(54) **POCKET CONTAINER**

(75) **Inventor:** **William M. Rosson**, Germantown, TN (US)

(73) **Assignee:** **Rosswil LLC LTD**, Chicago, IL (US)

(**) **Term:** **14 Years**

(21) **Appl. No.:** **29/180,458**

(22) **Filed:** **Apr. 23, 2003**

(51) **LOC (8) Cl.** **09-01**

(52) **U.S. Cl.** **D9/529; D9/550; D9/551**

(58) **Field of Search** **D3/202; D9/516, D9/522, 529-530, 543, 549-551, 557, 563-564, 570-575; 215/382-385, 396, 398, 400**

(56) **References Cited**

U.S. PATENT DOCUMENTS

D10,716 S	*	6/1878	Hood	D9/550 X
D76,065 S	*	8/1928	Smith	D28/91.1
D87,397 S	*	7/1932	Marshburn et al.	D9/571
D105,379 S	*	7/1937	Guerlain	D9/542
D285,699 S	*	9/1986	Leopoldi	D16/135
D290,687 S	*	7/1987	Llorente	D9/529
D378,354 S	*	3/1997	Varlet	D9/544
D412,667 S	*	8/1999	Nosella	D9/563 X
D419,890 S	*	2/2000	Nosella	D9/571

D432,428 S	*	10/2000	Barbagli	D9/550 X
D459,233 S	*	6/2002	Young	D9/535
D478,818 S	*	8/2003	Barbagli	D9/551
D498,145 S	*	11/2004	McLeish	D9/563

FOREIGN PATENT DOCUMENTS

GB 3006133 * 7/2003

* cited by examiner

Primary Examiner—Carol Rademaker

(74) *Attorney, Agent, or Firm*—Wyatt, Tarrant & Combs, L.L.P.

(57) **CLAIM**

The ornamental design for a pocket container, as shown and described.

DESCRIPTION

FIG. 1 is a front view of a pocket container showing my new design;

FIG. 2 is a right side view thereof;

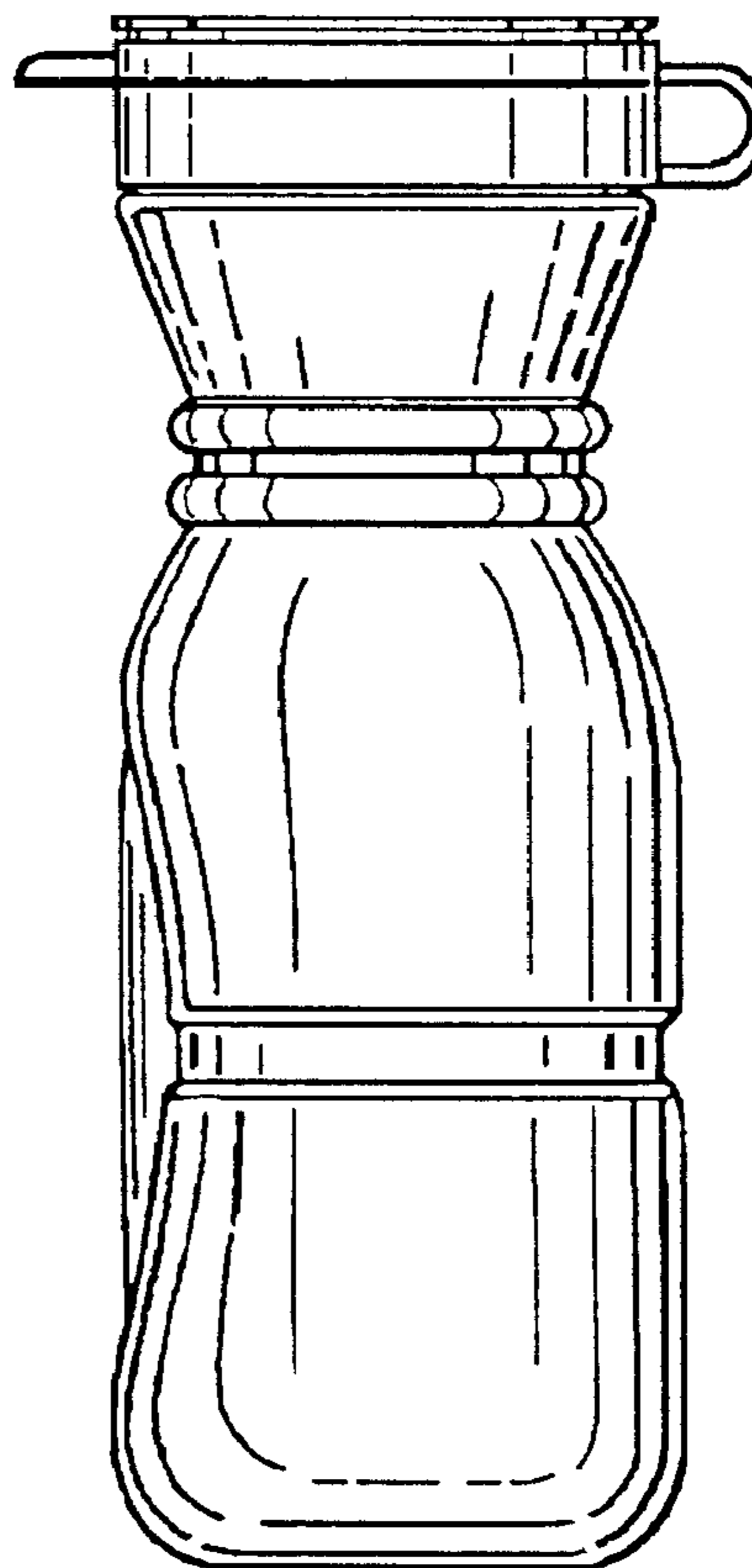
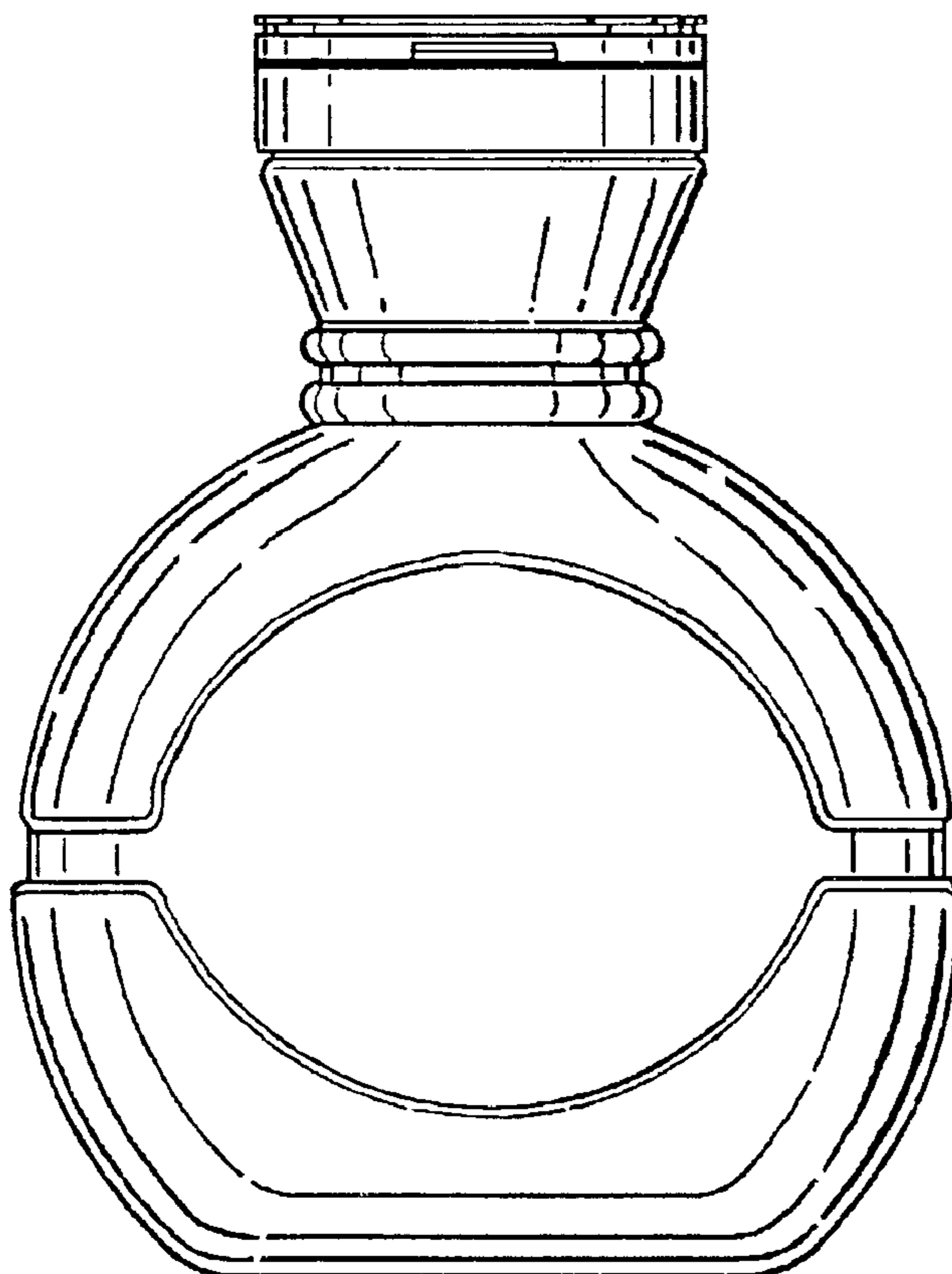
FIG. 3 is a rear view thereof;

FIG. 4 is a top plan view thereof; and,

FIG. 5 is a bottom plan view thereof.

The broken line shown in the FIG. 5 drawing view is for environmental purposes only and forms no part of the claimed design.

1 Claim, 2 Drawing Sheets



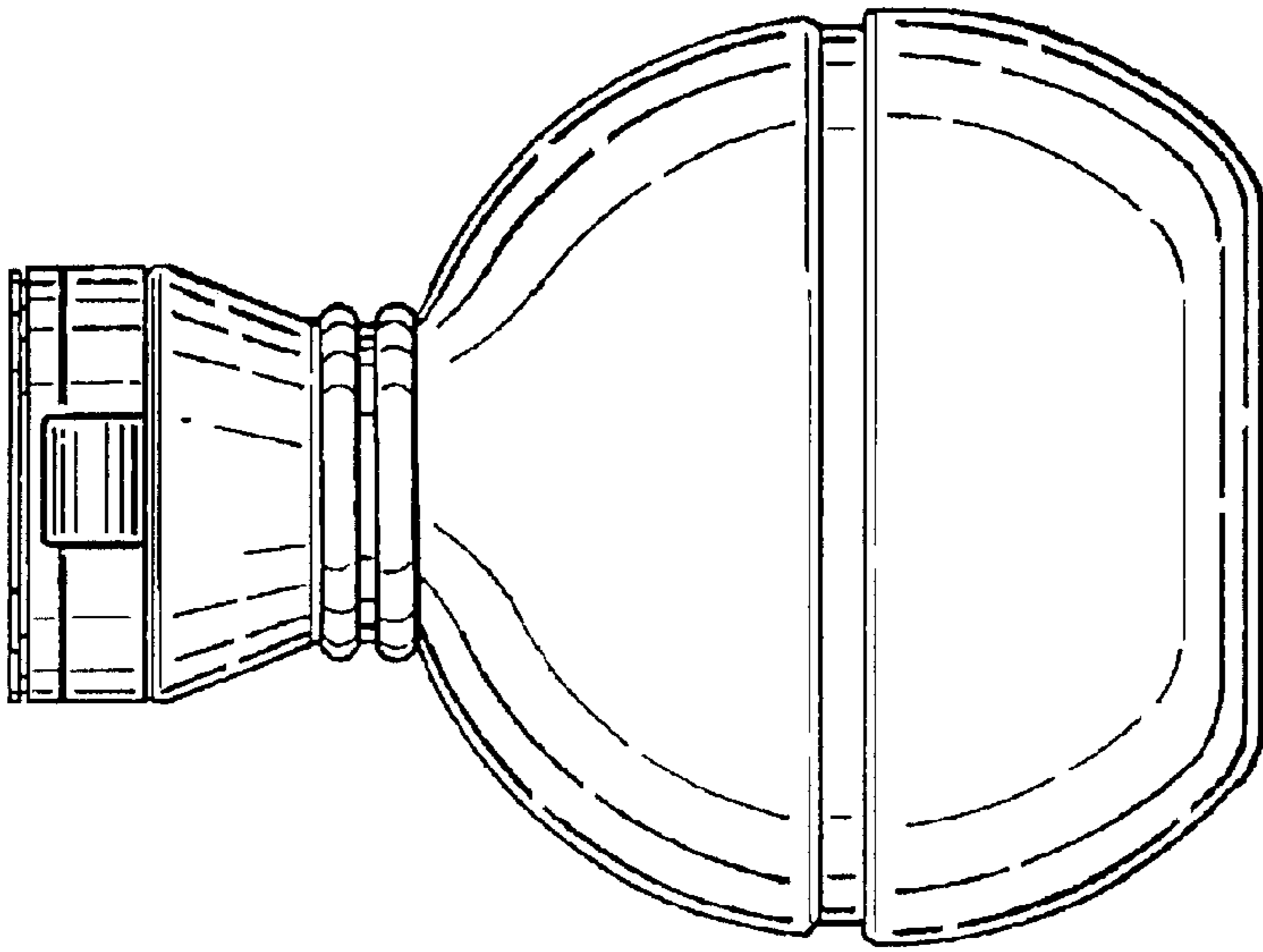


FIG. 1

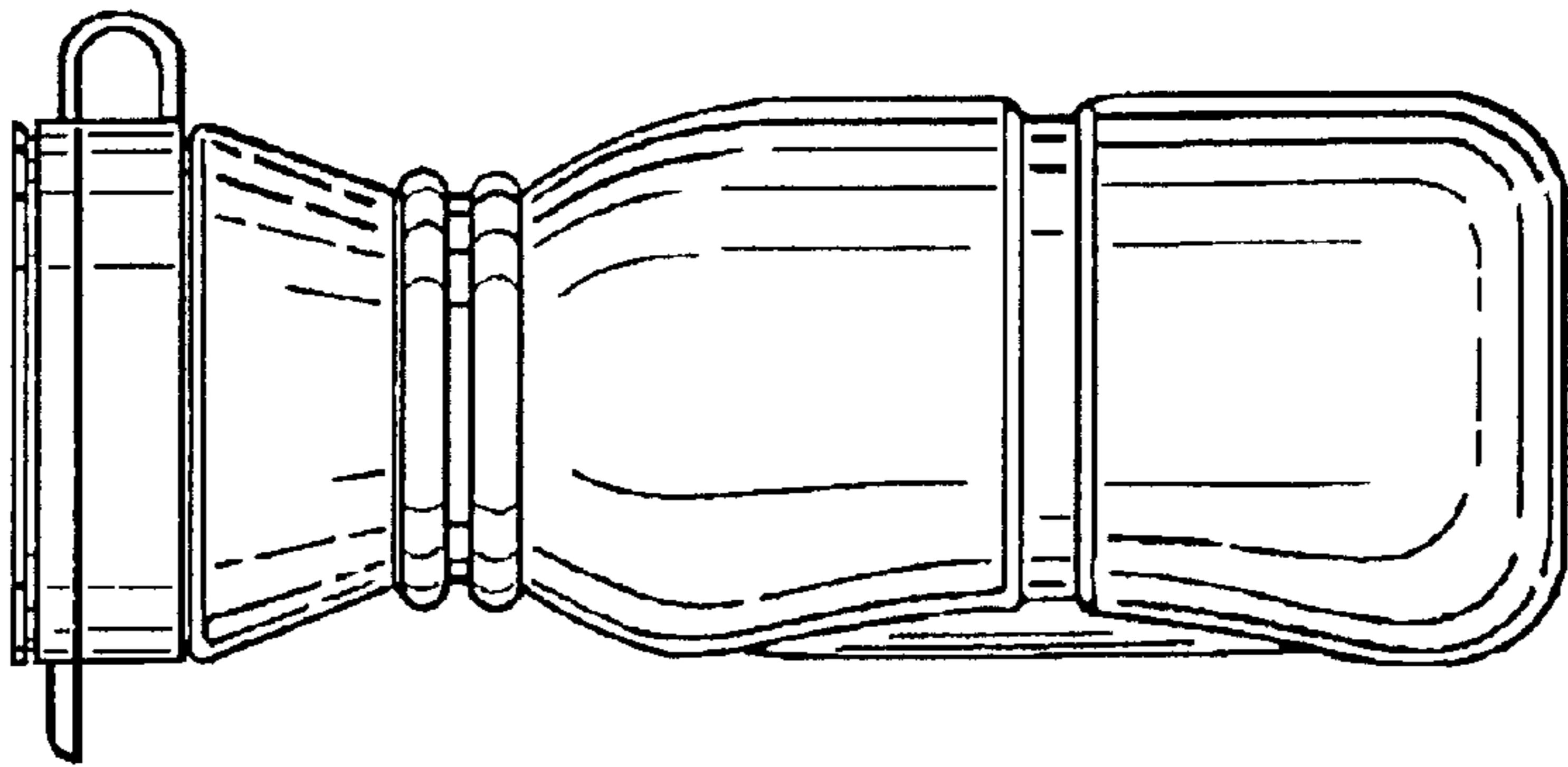


FIG. 2

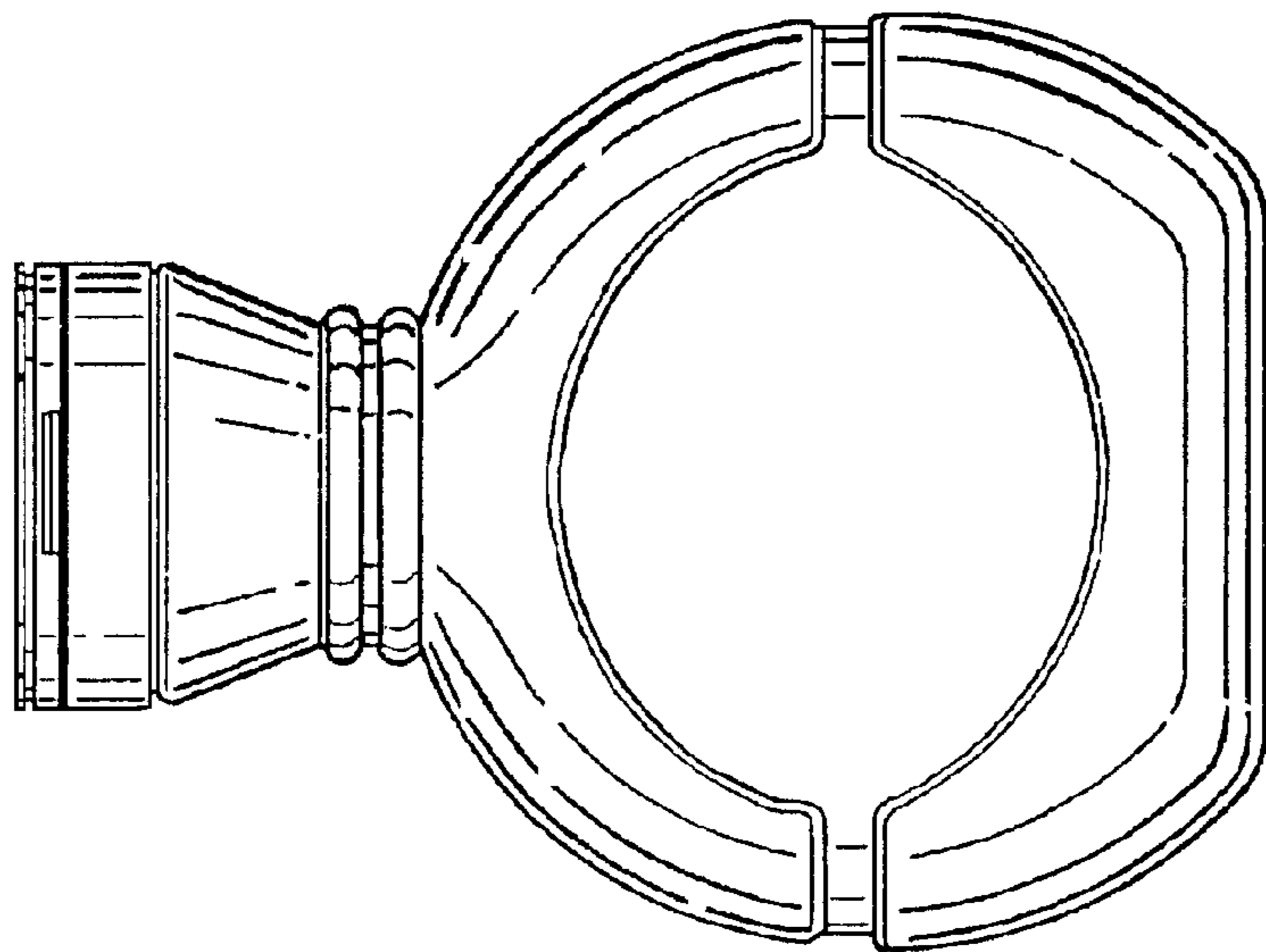


FIG. 3

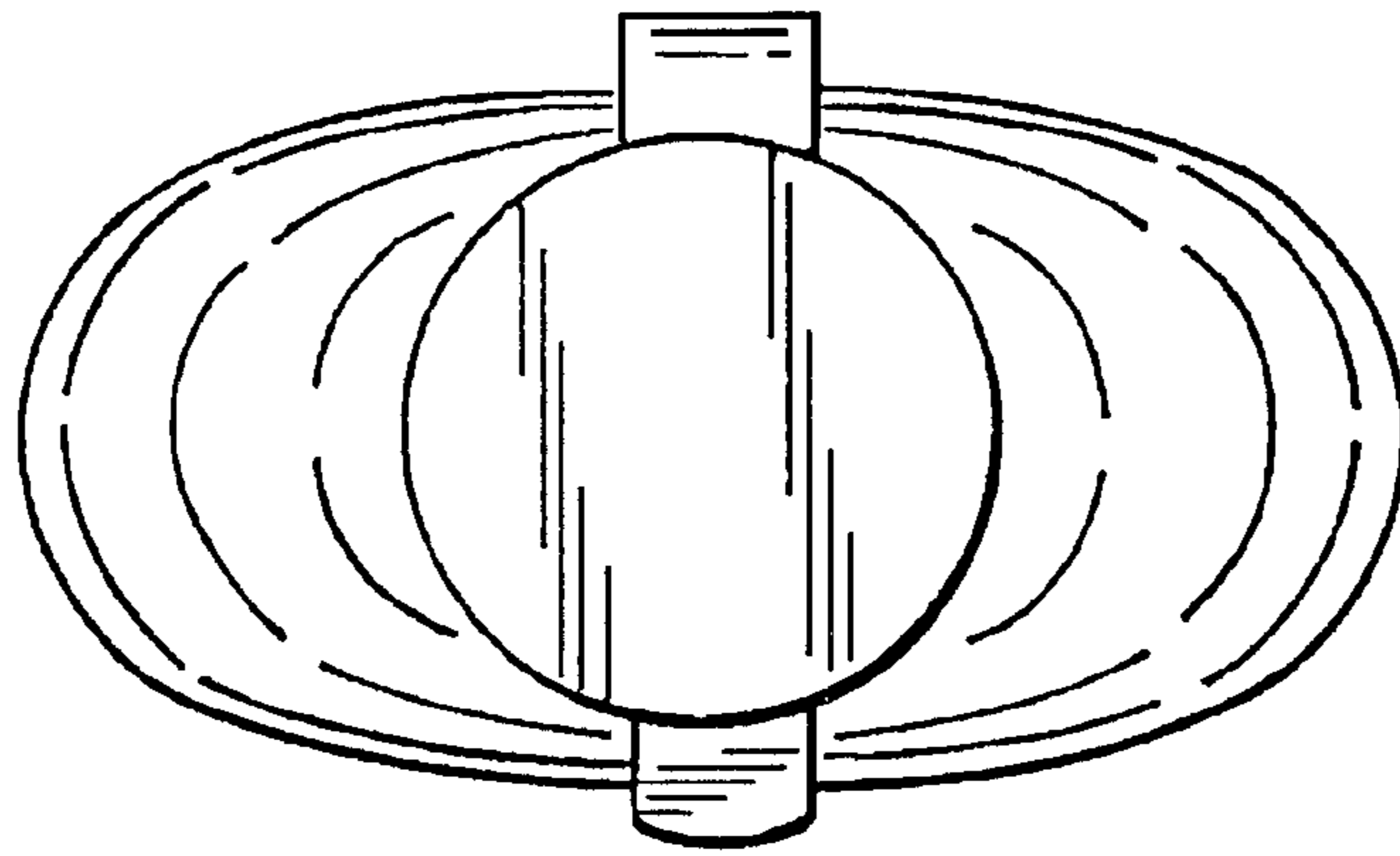


FIG. 4

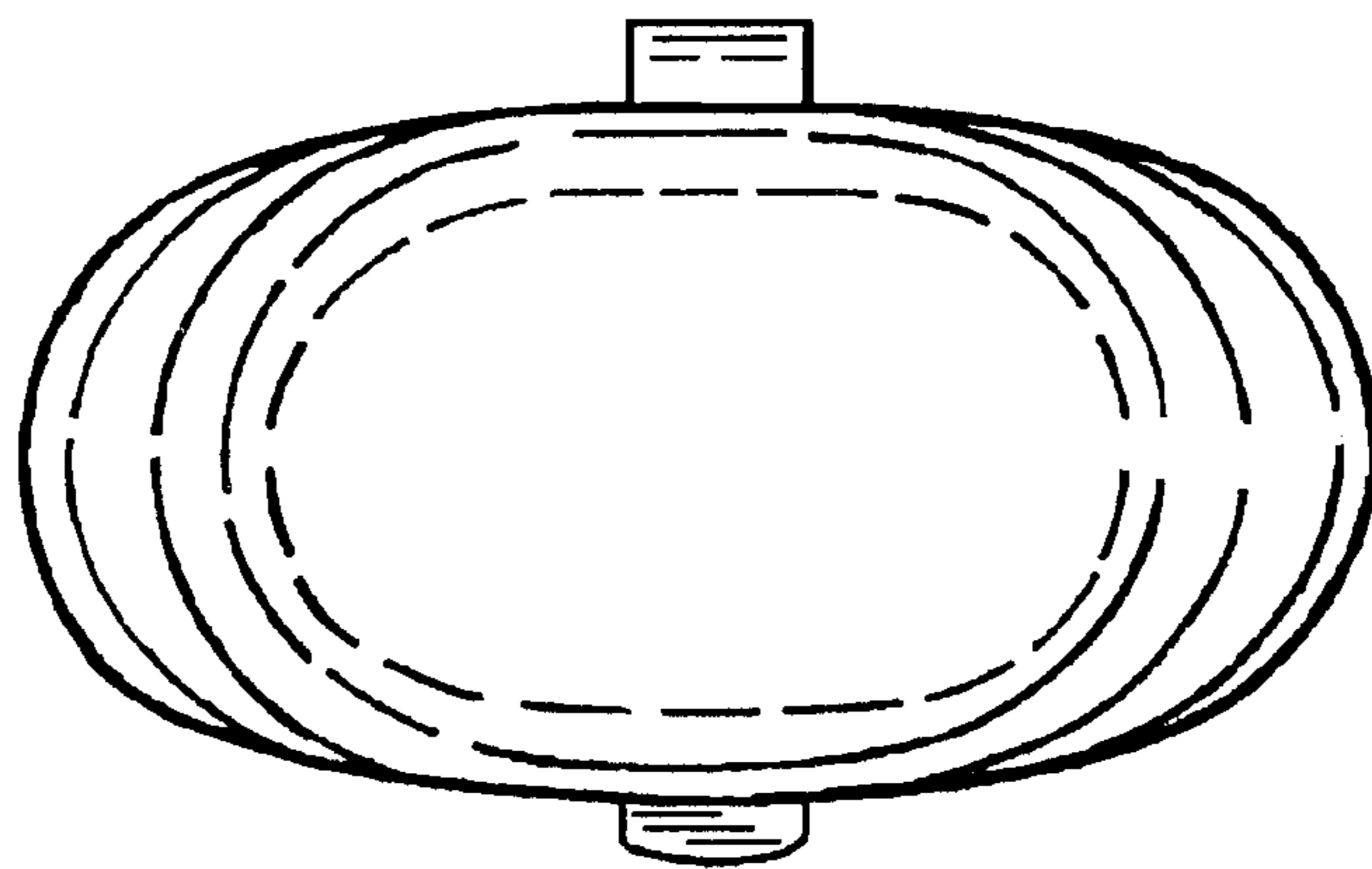


FIG. 5