

US00D509431S

(12) **United States Design Patent**
Hierzer et al.

(10) **Patent No.: US D509,431 S**

(45) **Date of Patent: ** Sep. 13, 2005**

(54) **CLOSURE**

D469,012 S * 1/2003 Lee D9/434
6,688,501 B2 * 2/2004 DeGroot et al. 222/556

(75) Inventors: **Valentin Hierzer**, Arlington Heights, IL
(US); **Rick Gaiser**, Burlington, WI
(US)

FOREIGN PATENT DOCUMENTS

WO WO 99/29585 6/1999

(73) Assignee: **Crown Packaging Technology, Inc.**,
Alsip, IL (US)

* cited by examiner

(**) Term: **14 Years**

Primary Examiner—Robert M. Spear

Assistant Examiner—Susan Bennett Hattan

(21) Appl. No.: **29/208,055**

(74) *Attorney, Agent, or Firm*—Knoble Yoshida &
Dunleavy, LLC

(22) Filed: **Jun. 23, 2004**

(57) **CLAIM**

(51) **LOC (8) Cl.** **09-07**

The ornamental design for a “closure,” as shown and described.

(52) **U.S. Cl.** **D9/447**

(58) **Field of Search** D9/759, 751, 741,
D9/739, 737, 515, 499, 454, 453, 434,
446–450, 439–440, 435, 436; D7/398, 392;
383/80; 222/575, 566, 556, 553, 544–546,
491; 215/237

DESCRIPTION

(56) **References Cited**

U.S. PATENT DOCUMENTS

3,251,509 A * 5/1966 Foster 222/556
4,223,177 A * 9/1980 Nakamura 174/52.3
D280,606 S * 9/1985 Kennedy et al. D9/449
D369,109 S * 4/1996 Proshan D9/447
5,579,957 A 12/1996 Gentile et al.
D410,388 S * 6/1999 Fisher et al. D9/449
D424,440 S * 5/2000 Wilkinson et al. D9/446

FIG. 1 is a perspective view showing our new design;

FIG. 2 is a first side elevational view;

FIG. 3 is a second side elevational view;

FIG. 4 is a top plan view;

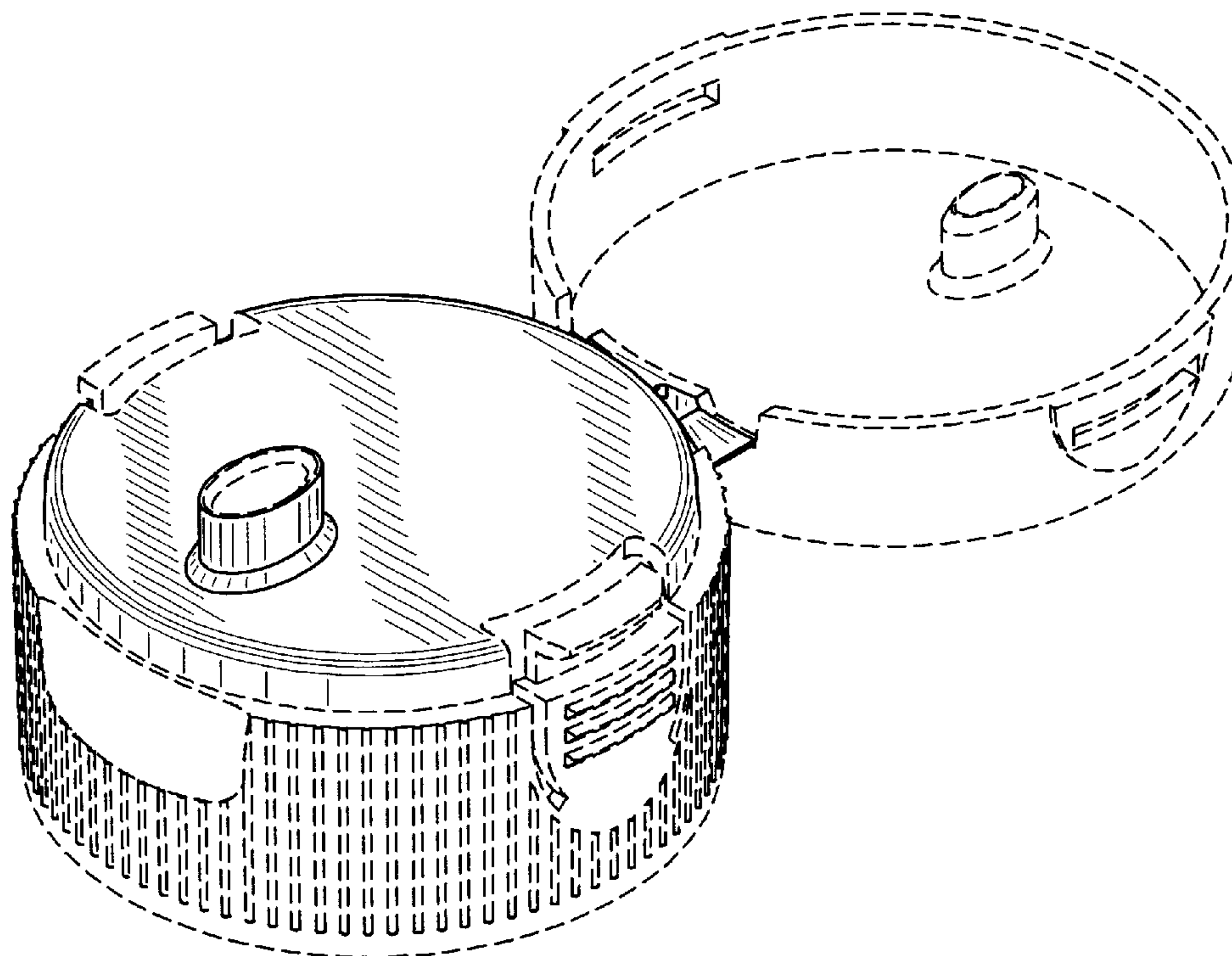
FIG. 5 is a bottom plan view;

FIG. 6 is a front elevational view showing a portion of the design; and,

FIG. 7 is a rear elevational view showing a portion of the design.

The broken lines in the drawings depict probable environment only and form no part of the claimed design.

1 Claim, 6 Drawing Sheets



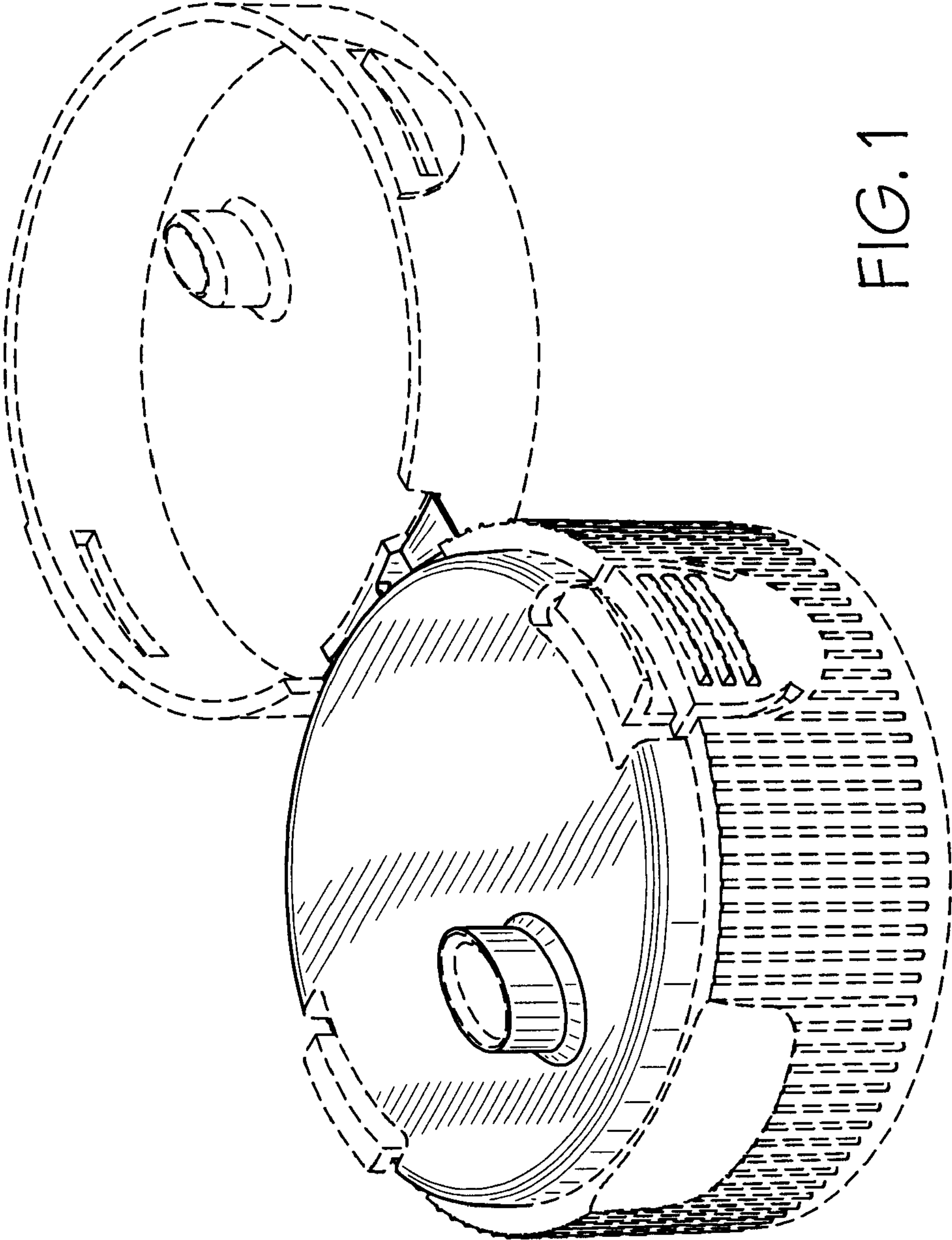


FIG. 1

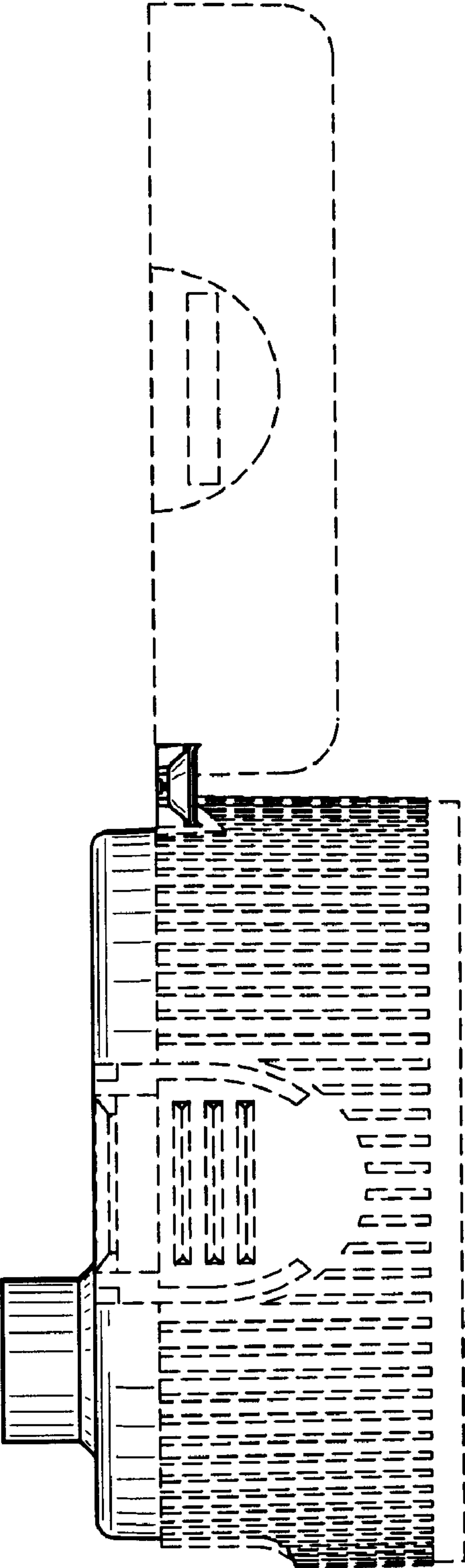


FIG. 2

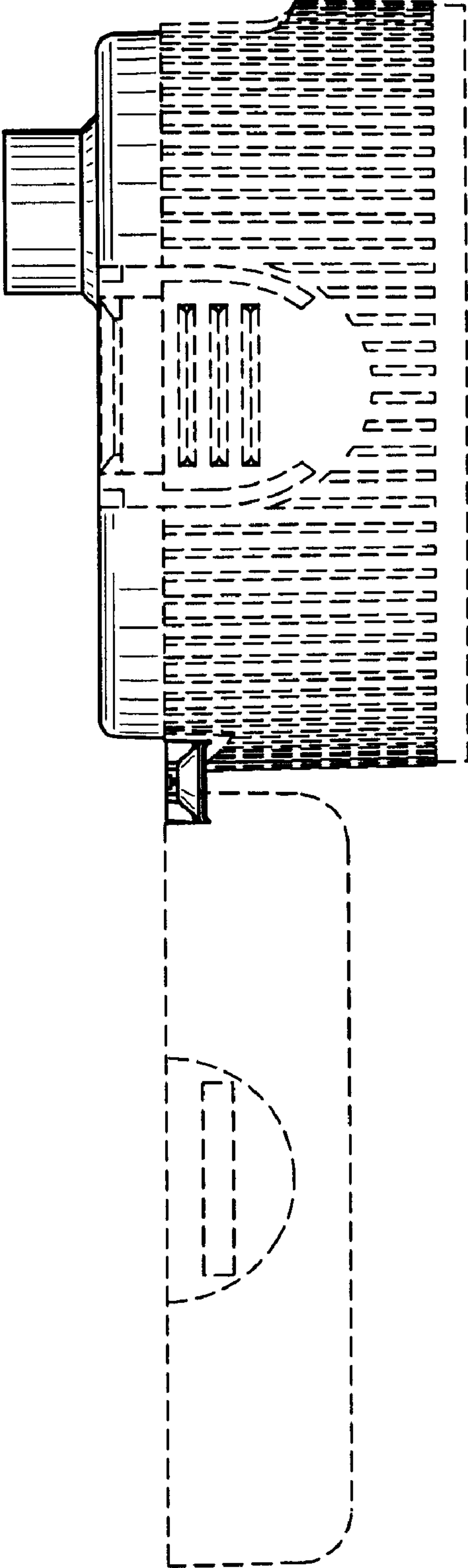


FIG. 3

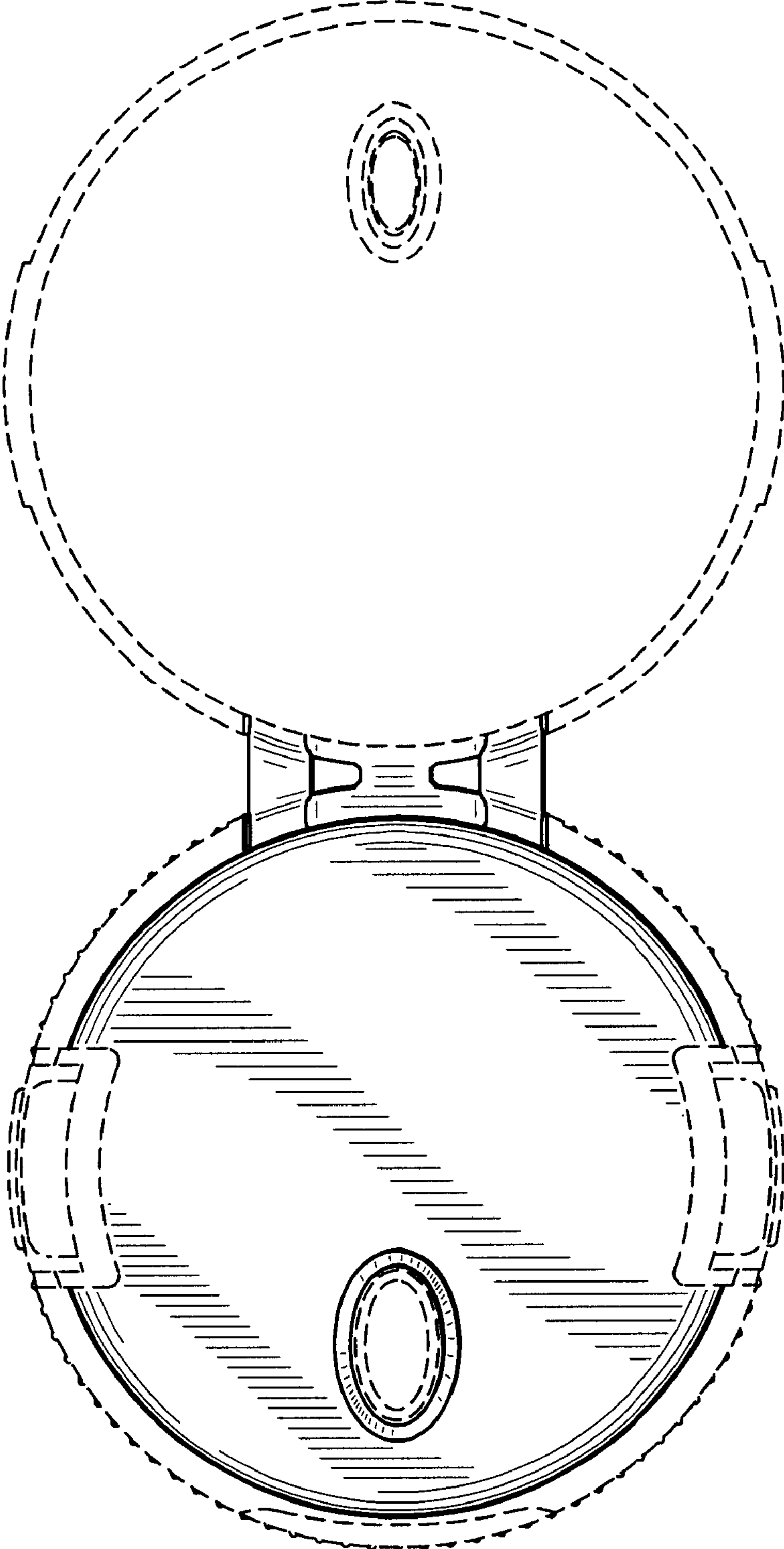


FIG. 4

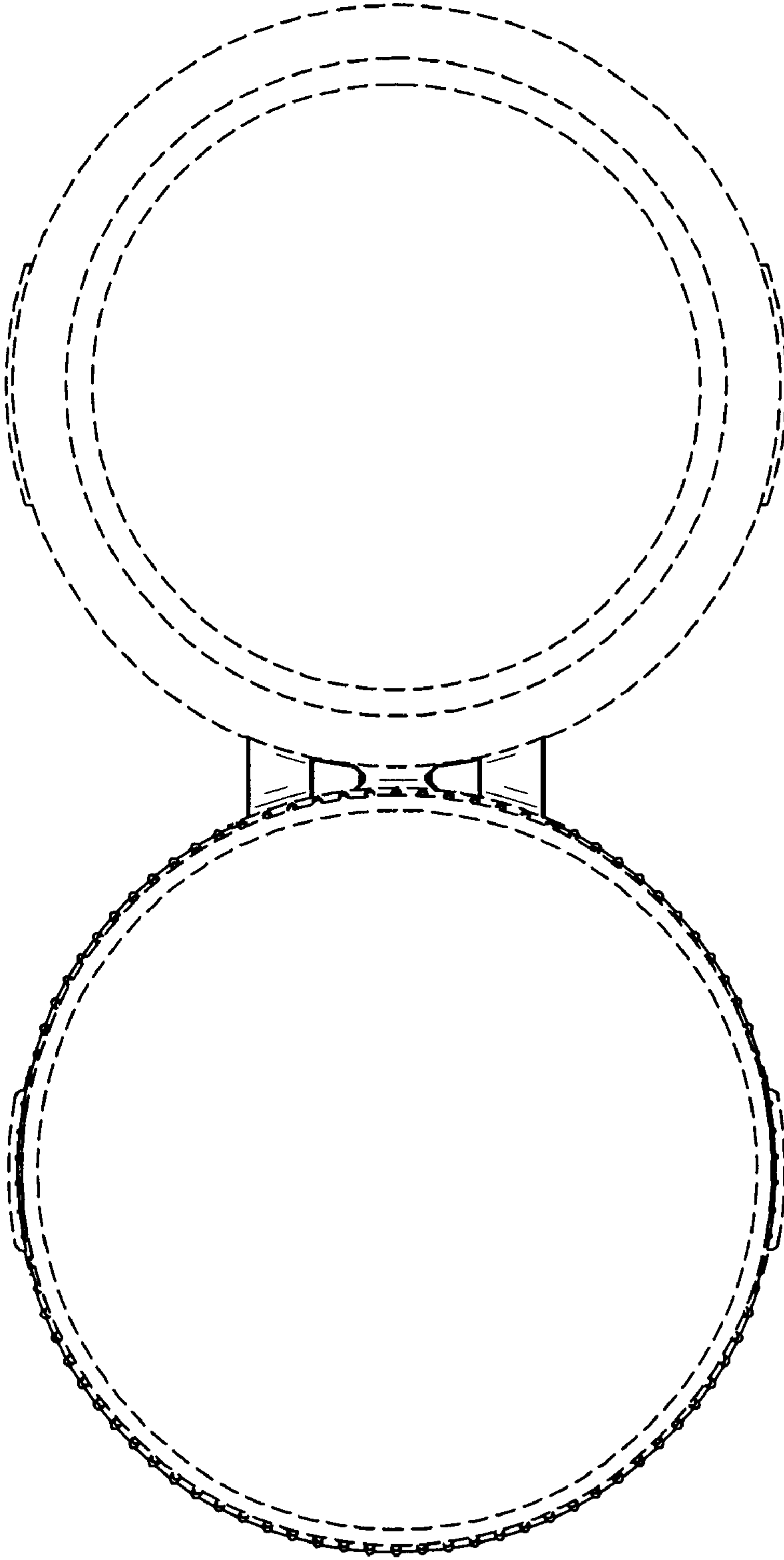


FIG. 5

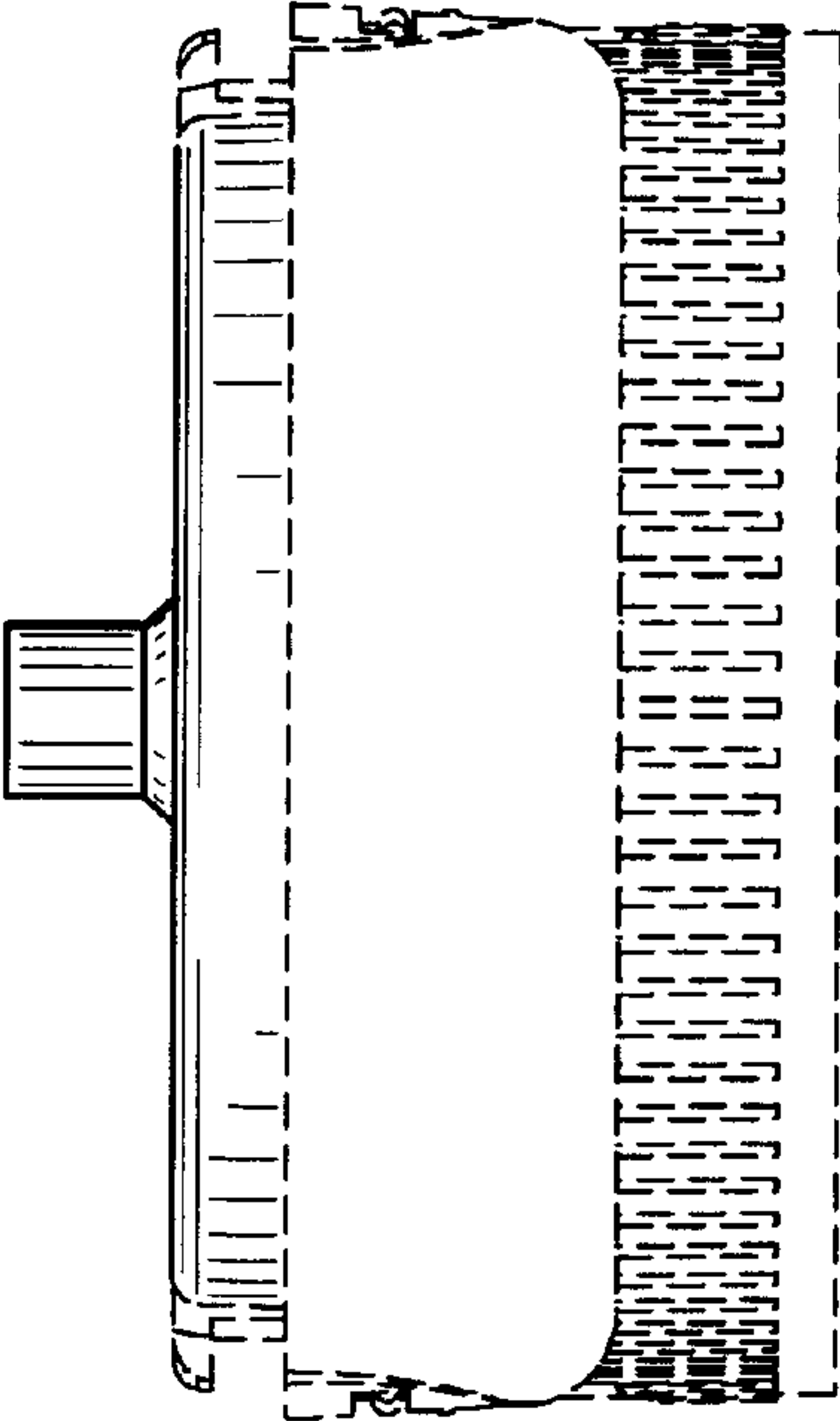


FIG. 7

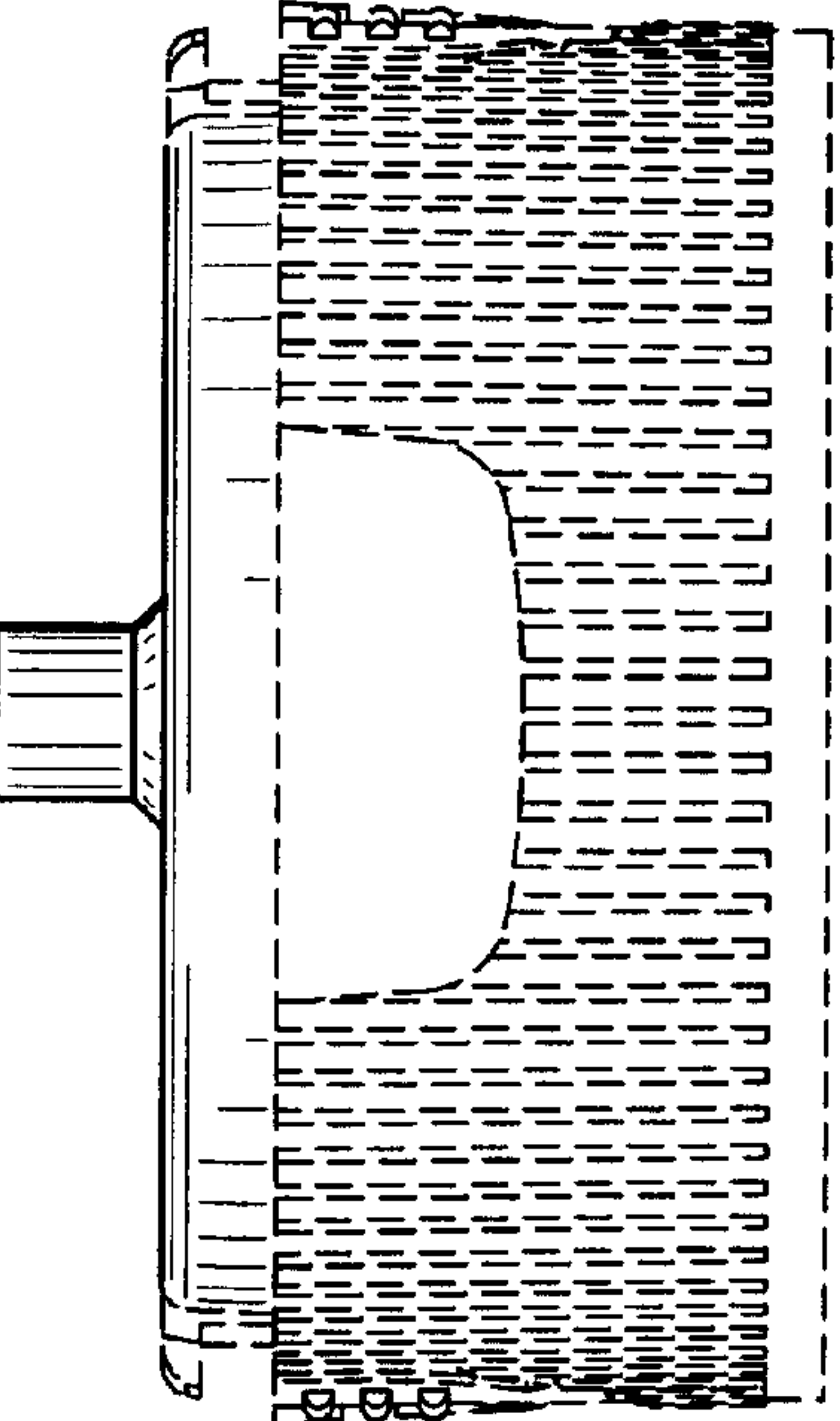


FIG. 6