

US00D509430S

(12) **United States Design Patent**
Hierzer et al.

(10) **Patent No.: US D509,430 S**

(45) **Date of Patent: ** Sep. 13, 2005**

(54) **CLOSURE**

(75) Inventors: **Valentin Hierzer**, Arlington Heights, IL
(US); **Rick Gaiser**, Burlington, WI
(US)

(73) Assignee: **Crown Packaging Technology, Inc.**,
Alsip, IL (US)

(**) Term: **14 Years**

(21) Appl. No.: **29/208,047**

(22) Filed: **Jun. 23, 2004**

(51) **LOC (8) Cl.** **09-07**

(52) **U.S. Cl.** **D9/447**

(58) **Field of Search** D9/759, 751, 741,
D9/739, 737, 515, 499, 454, 453, 434,
446-450, 439-440, 435, 436; D7/398, 392;
383/80; 222/575, 566, 556, 553, 544-546,
491; 215/237

(56) **References Cited**

U.S. PATENT DOCUMENTS

3,212,665 A	*	10/1965	Duncan	D9/447
3,255,937 A	*	6/1966	Jarrett	222/575
4,438,294 A	*	3/1984	Meltsch et al.	174/88 R
D301,690 S	*	6/1989	Mobberley	D9/454
D354,224 S	*	1/1995	Norton et al.	D9/447
D354,225 S	*	1/1995	Norton et al.	D9/447
5,579,957 A		12/1996	Gentile et al.		
D385,791 S	*	11/1997	Forsyth et al.	D9/447

5,823,387 A	*	10/1998	Manadanas et al.	222/575
5,943,836 A	*	8/1999	Kassardjian	52/301
6,164,503 A	*	12/2000	Forsyth et al.	222/556
D490,311 S	*	5/2004	Timm	D9/434

FOREIGN PATENT DOCUMENTS

WO WO 99/29585 6/1999

* cited by examiner

Primary Examiner—Robert M. Spear

Assistant Examiner—Susan Bennett Hattan

(74) *Attorney, Agent, or Firm*—Knoble Yoshida &
Dunleavy, LLC

(57) **CLAIM**

The ornamental design for a “closure,” as shown and described.

DESCRIPTION

FIG. 1 is a perspective view showing our new design;

FIG. 2 is a first side elevational view;

FIG. 3 is a second side elevational view;

FIG. 4 is a top plan view;

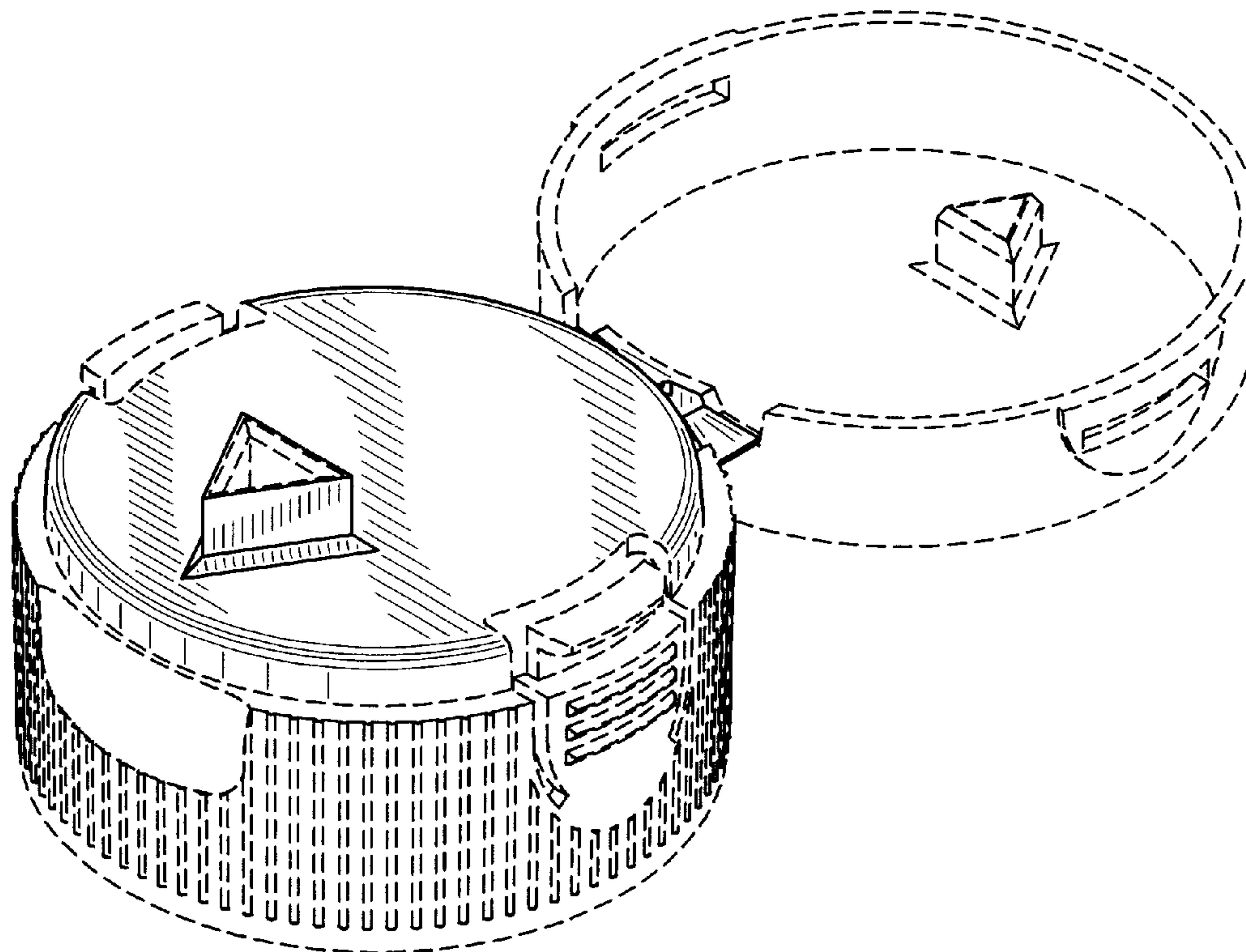
FIG. 5 is a bottom plan view;

FIG. 6 is a front elevational view showing a portion of the design; and,

FIG. 7 is a rear elevational view showing a portion of the design.

The broken lines in the drawings depict probable environment only and form no part of the claimed design.

1 Claim, 6 Drawing Sheets



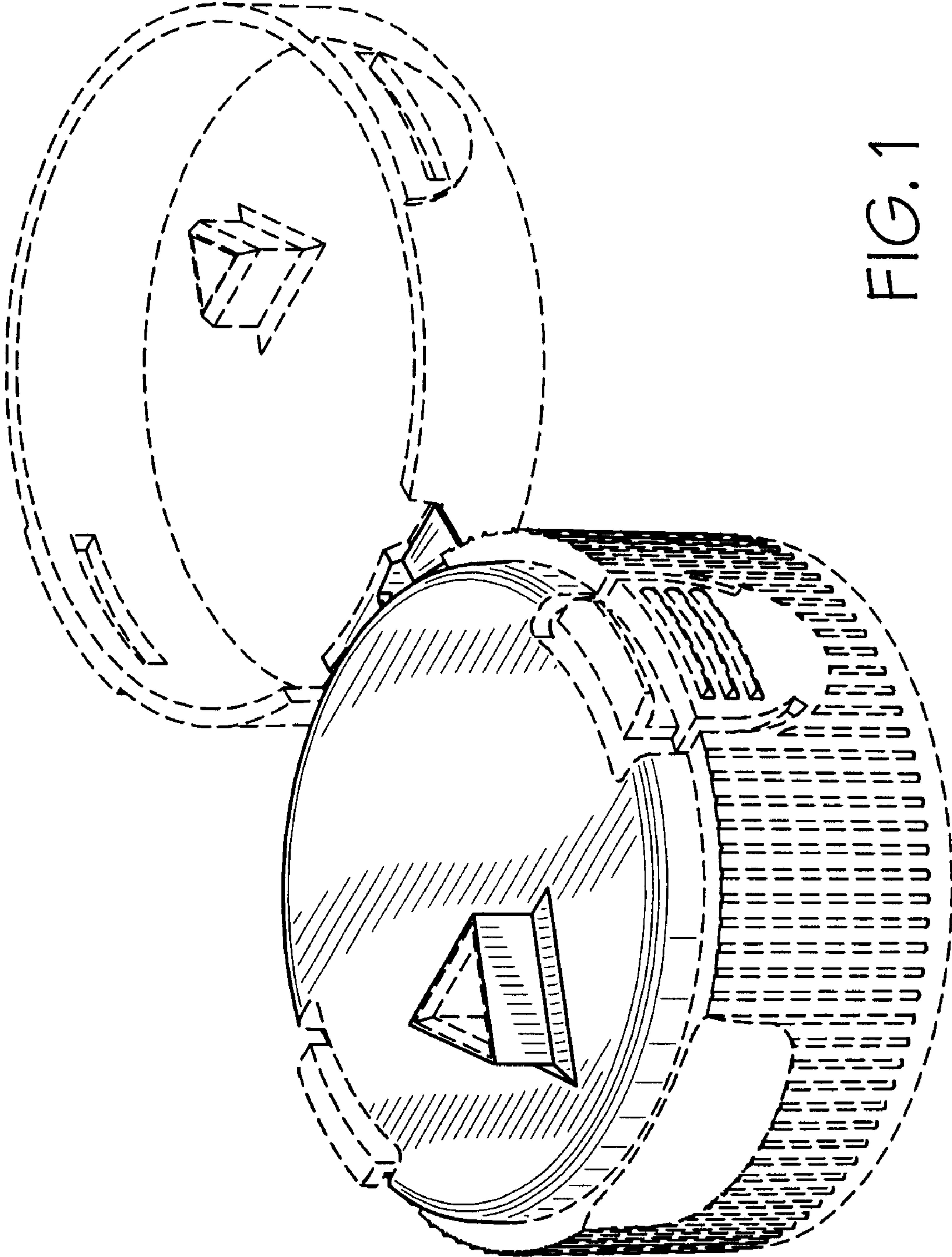


FIG. 1

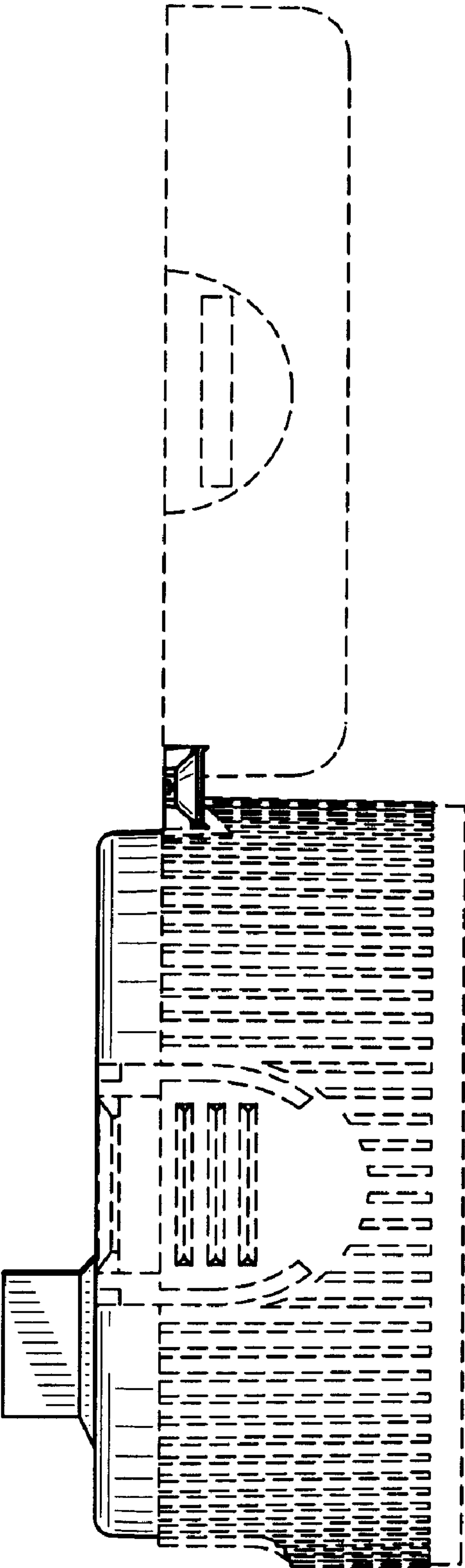


FIG. 2

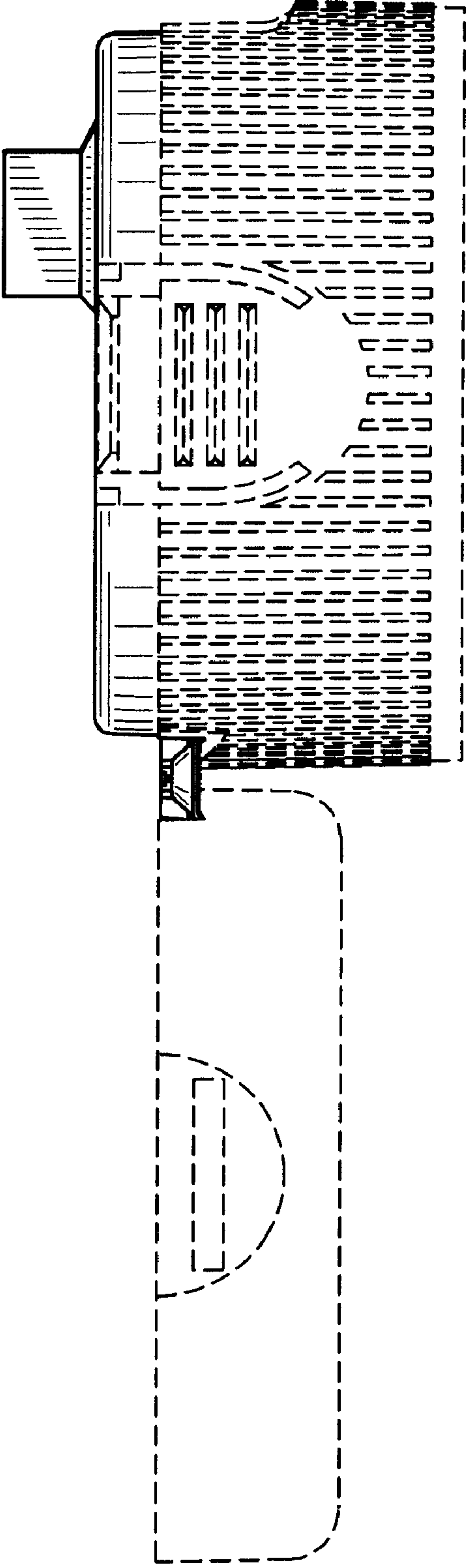


FIG. 3

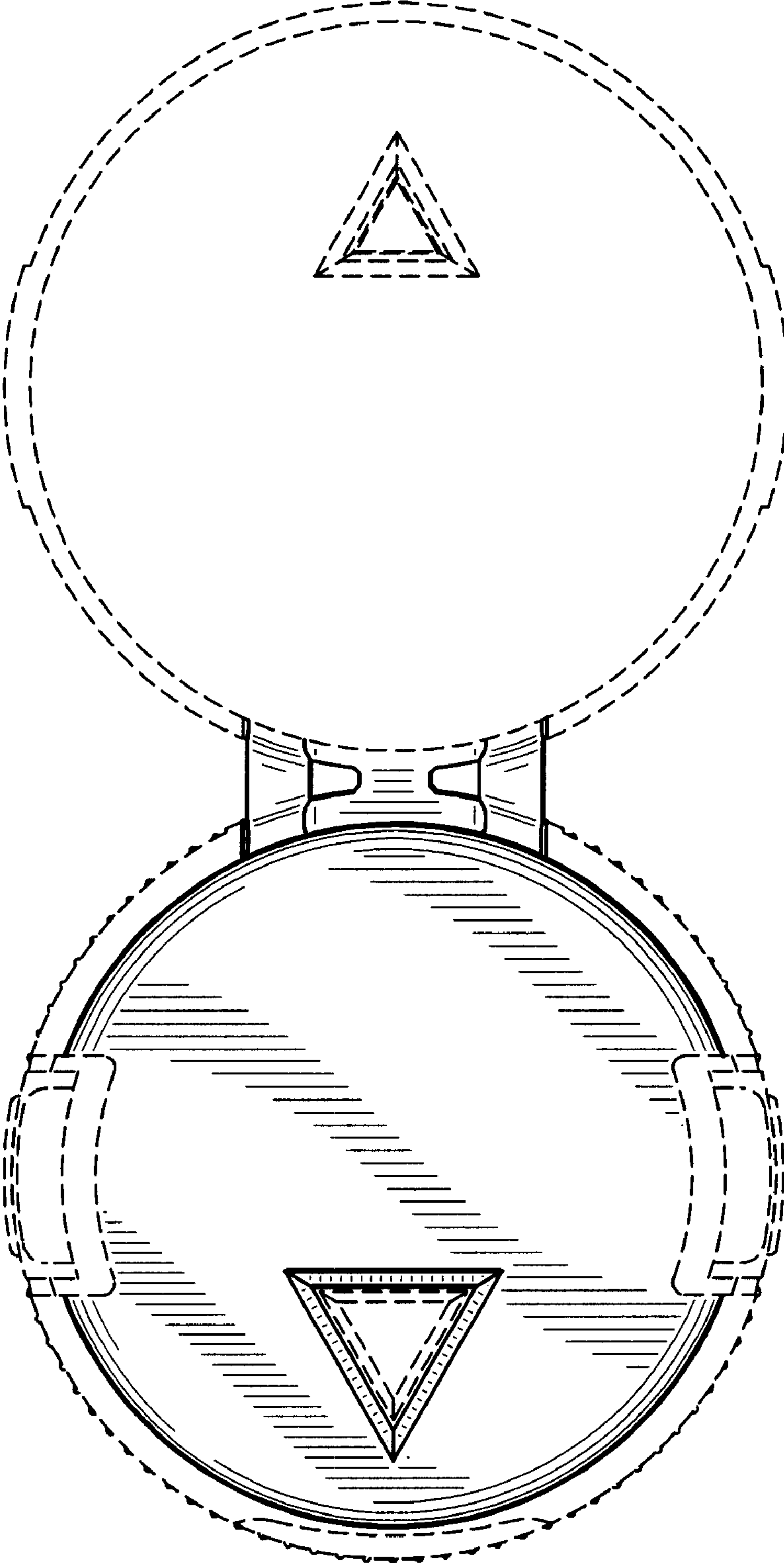


FIG. 4

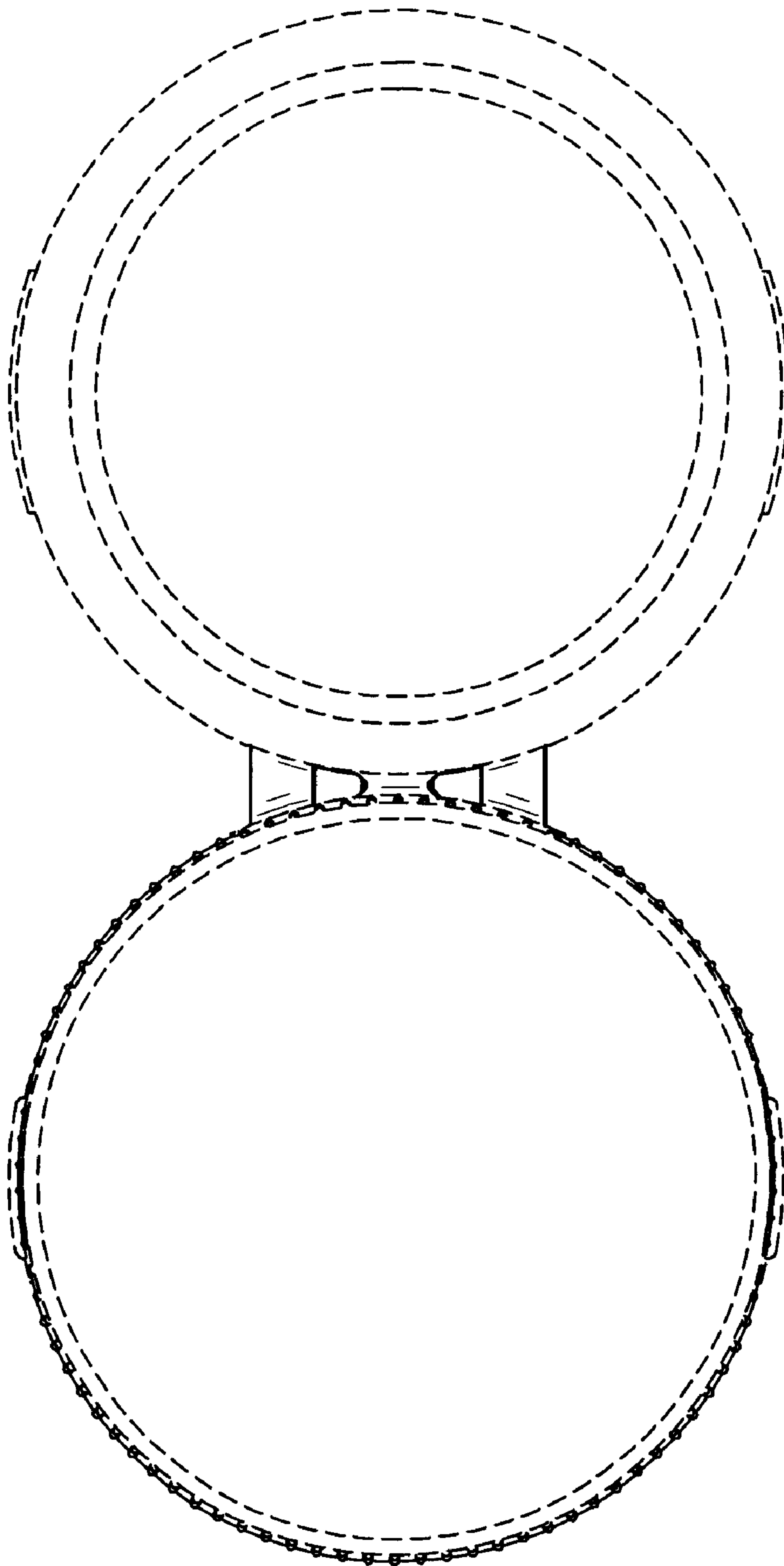


FIG. 5

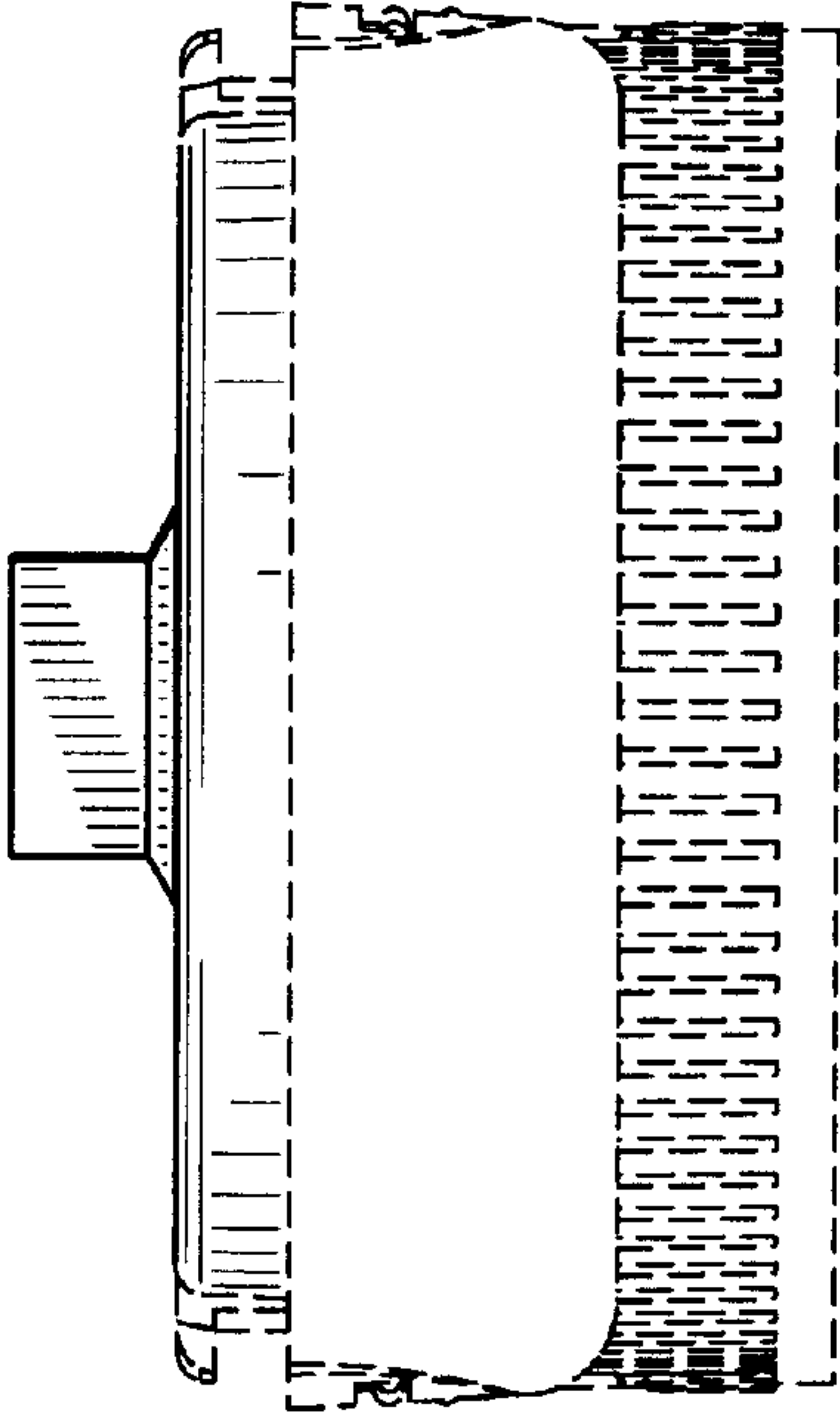


FIG. 7

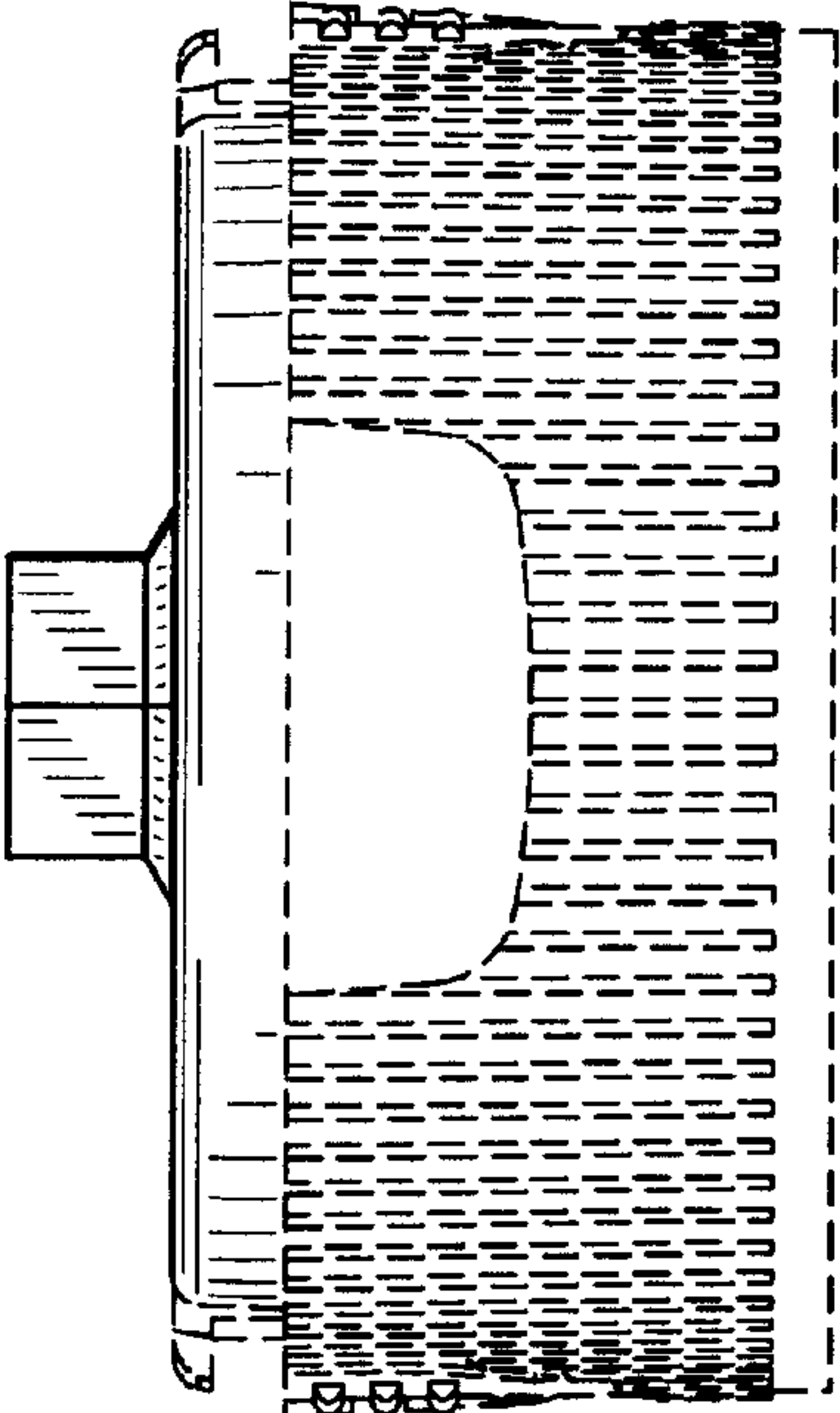


FIG. 6