

US00D509426S

(12) **United States Design Patent** (10) **Patent No.:** **US D509,426 S**
Samz et al. (45) **Date of Patent:** **** *Sep. 13, 2005**

(54) **INTEGRALLY-FORMED CLOSURE FOR A CONTAINER**
(75) Inventors: **John B. Samz**, Union Grove, WI (US);
William C. Vogel, Milwaukee, WI (US)
(73) Assignee: **Gateway Plastics, Inc.**, Mequon, WI (US)

2,108,063 A 2/1938 Hothersall
D110,872 S 8/1938 Lewis
2,177,589 A 10/1939 Jacker
2,276,635 A 3/1942 Weber
2,388,738 A 11/1945 Gudheim

(Continued)

FOREIGN PATENT DOCUMENTS

(*) Notice: This patent is subject to a terminal disclaimer.
(**) Term: **14 Years**

EP 0 631 942 A1 1/1995
FR 1153553 5/1958
GB 2120219 11/1983

OTHER PUBLICATIONS

(21) Appl. No.: **29/170,214**
(22) Filed: **Nov. 1, 2002**

Cap of a type understood to be commercially available from Weatherchem Corporation (six photographs; one sheet).
Cap of a type understood to be commercially available from Weatherchem Corporation (seven photographs; one sheet).
Cap of a type understood to be commercially available from Kraft Foods North America, Inc. (six photographs; one sheet).

(Continued)

Related U.S. Application Data

(62) Division of application No. 10/234,441, filed on Sep. 3, 2002, which is a division of application No. 09/663,874, filed on Sep. 15, 2000, now Pat. No. 6,460,718, which is a continuation-in-part of application No. 09/374,976, filed on Aug. 16, 1999, now Pat. No. 6,250,517, which is a continuation of application No. 08/959,399, filed on Oct. 28, 1997, now Pat. No. 5,971,231.

Primary Examiner—Louis S. Zarfaz
Assistant Examiner—Gregory Andoll
(74) *Attorney, Agent, or Firm*—Foley & Lardner LLP

(51) **LOC (8) Cl.** **09-07**
(52) **U.S. Cl.** **D9/447; D4/435; D4/449**
(58) **Field of Search** D9/435, 438, 447,
D9/449, 454; D7/300.1, 591, 596, 629,
630; 215/235, 237; 220/259, 339; 222/546,
480, 565, 566, 517

(57) **CLAIM**

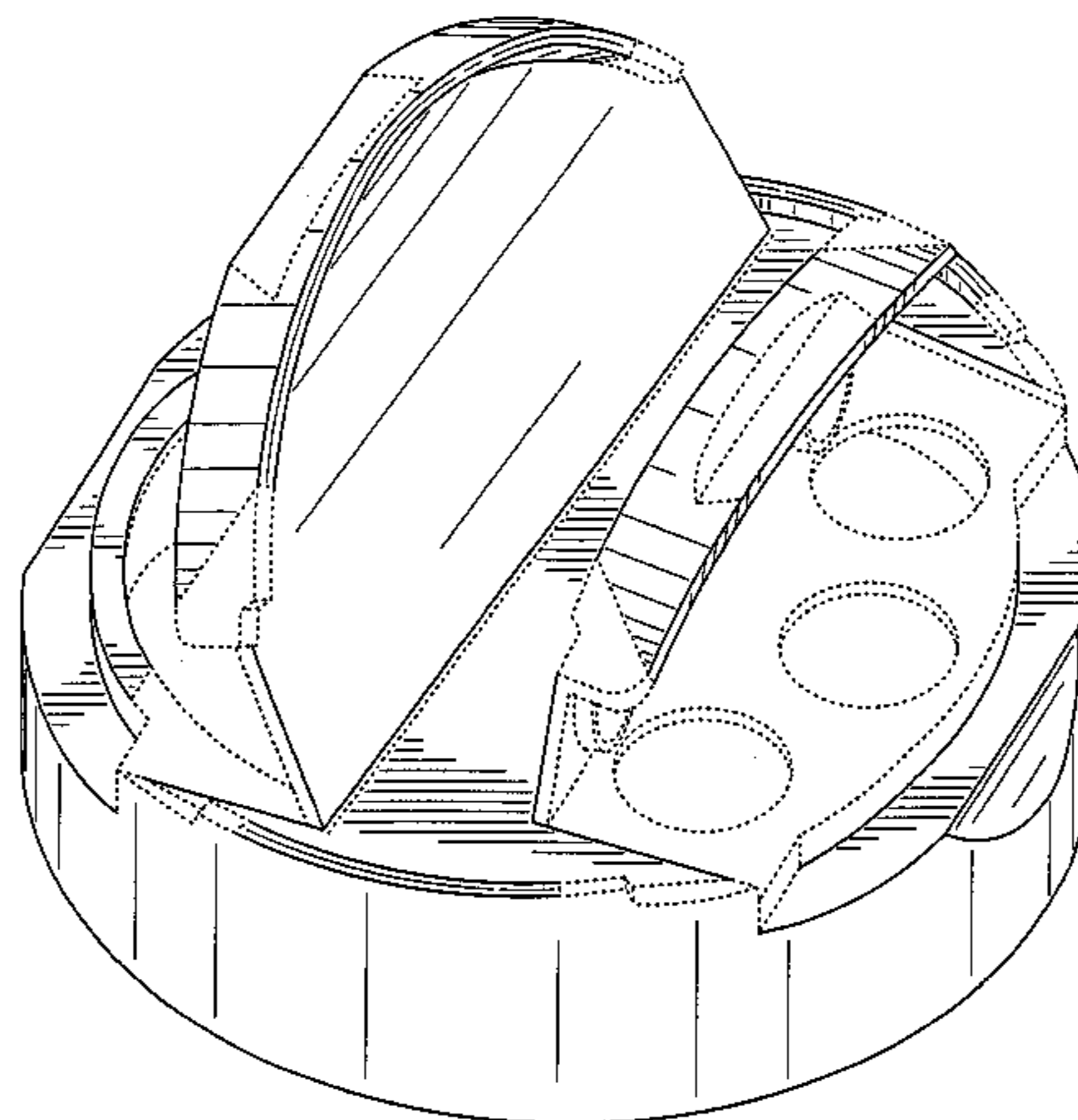
We claim the ornamental design for an integrally-formed closure for a container, as shown and described.

DESCRIPTION

FIG. 1 is a perspective view of the integrally-formed closure for a container in an open position.
FIG. 2 is a top view of the integrally-formed closure for a container in an open position.
FIG. 3 is a side elevation view of the integrally-formed closure for a container in an open position; and,
FIG. 4 is a side elevation view of the integrally-formed closure for a container in a closed position.
The broken line disclosure is for illustrative purposes only and forms no part of the claimed design.

(56) **References Cited**
U.S. PATENT DOCUMENTS
181,615 A 8/1876 Albertson
199,896 A 2/1878 Burger
785,116 A 3/1905 Perry
847,726 A 3/1907 Brannon
893,469 A 7/1908 Essmuller
947,025 A 1/1910 Pearl et al.
1,330,365 A 2/1920 Alexander
1,773,553 A 8/1930 Taylor et al.
2,094,600 A 10/1937 Hothersall

1 Claim, 3 Drawing Sheets



US D509,426 S

Page 2

U.S. PATENT DOCUMENTS							
2,562,647	A	7/1951	Shaver	D247,475	S	3/1978	Newman
2,576,416	A	11/1951	Randlett	4,082,201	A	4/1978	Bittel
2,625,306	A	1/1953	Murphy	D249,023	S	8/1978	Ames
2,690,861	A	10/1954	Tupper	4,106,672	A	8/1978	Tecco et al.
2,780,395	A	2/1957	Schlabach et al.	4,120,432	A	10/1978	Fuchs
2,817,451	A	12/1957	Giles et al.	4,144,985	A	3/1979	Kinslow
2,826,343	A	3/1958	Albiani	4,155,481	A	5/1979	Takahashi et al.
2,849,164	A	8/1958	Weisgerber	4,163,496	A	8/1979	Dogliotti
2,851,203	A	9/1958	Nowak	4,165,015	A	8/1979	Hasegawa
2,894,654	A	7/1959	Lohrer	4,170,315	A	10/1979	Dubach et al.
2,954,148	A	9/1960	Corrinet et al.	D255,326	S	6/1980	Pettengill
2,961,132	A	11/1960	Ankney	4,231,486	A	11/1980	Bock
2,961,133	A	11/1960	Ankney	4,234,099	A	11/1980	Tarro
2,971,681	A	2/1961	Galbierz	4,253,587	A	3/1981	Otterson
3,018,931	A	1/1962	Westgate	4,258,876	A	3/1981	Ljungcrantz
3,031,111	A	4/1962	Stull	4,267,937	A	5/1981	Piltz et al.
3,036,746	A	5/1962	Hagen	4,274,563	A	6/1981	Otterson
3,058,630	A	10/1962	Abt	4,280,636	A	7/1981	Lewis
3,059,816	A	10/1962	Goldstein	4,284,200	A	8/1981	Bush et al.
3,100,589	A	8/1963	Love, Jr.	4,291,818	A	9/1981	Nozawa et al.
3,113,693	A	12/1963	Stull	4,299,339	A	11/1981	Giroux et al.
3,117,701	A	1/1964	Stull	4,346,823	A	8/1982	Eppenbach
3,140,019	A	7/1964	Barr	D266,390	S	10/1982	Haner
3,143,256	A	8/1964	Lazure et al.	4,359,171	A	11/1982	Lewis
3,155,285	A	11/1964	Van Baam	4,361,250	A	11/1982	Foster
D200,024	S	1/1965	Lombardo	4,369,901	A	1/1983	Hidding
D200,270	S	2/1965	Waterman	4,414,705	A	11/1983	Ostrowsky
3,180,537	A	4/1965	Collins	D272,807	S	2/1984	Ruhl
3,181,746	A	5/1965	Tupper	4,442,950	A	4/1984	Wilson
3,203,571	A	8/1965	Plunkett	4,457,458	A	7/1984	Heinol
3,217,921	A	11/1965	Frehse	4,463,869	A	8/1984	Lewis
3,217,949	A	11/1965	Davis	4,467,938	A	8/1984	Allen
D204,509	S	4/1966	Waterman	D276,981	S	1/1985	Cleevely
3,262,606	A	7/1966	Waterman	4,494,679	A	1/1985	Cleevely
3,281,982	A	11/1966	Salisbury	4,500,016	A	2/1985	Funfstuck
3,322,308	A	5/1967	Foster	4,503,991	A	3/1985	Joyce
3,323,671	A	6/1967	Minarik, Jr. et al.	D278,602	S	4/1985	Rosenstein
3,351,242	A	11/1967	Lodding et al.	4,533,058	A	8/1985	Uhlig
3,370,757	A	2/1968	Foster	4,538,731	A	9/1985	Cillario
3,372,832	A	3/1968	Yeater et al.	4,541,541	A	9/1985	Hickman et al.
3,397,823	A	8/1968	Kirkpatrick	4,545,495	A	10/1985	Kinsley
3,412,890	A	11/1968	Rich	4,545,508	A	10/1985	Cribb, Jr. et al.
3,428,208	A	2/1969	Kosar	4,580,687	A	4/1986	Lewis
3,463,364	A	8/1969	Rehag	4,610,371	A	9/1986	Karkiewicz
3,469,732	A	9/1969	Foster	4,611,725	A	9/1986	Kacalief
3,486,665	A	12/1969	La Croce	4,621,744	A	11/1986	Foster
3,499,588	A	3/1970	Bartilson et al.	4,629,081	A	12/1986	McLaren
D218,289	S	8/1970	Posada	4,648,528	A	3/1987	LaBarge et al.
3,542,235	A	11/1970	Hidding	4,651,885	A	3/1987	Gach
3,563,426	A	2/1971	Bartilson	4,658,980	A	4/1987	Lindstrom
3,651,992	A	3/1972	Hazard	D291,411	S	8/1987	Crawford
3,659,756	A	5/1972	Lancaster	4,693,399	A	9/1987	Hickman et al.
3,675,812	A	7/1972	Foster	D292,491	S	10/1987	Ross et al.
3,741,377	A	6/1973	Krellen	4,714,181	A	12/1987	Kozlowski et al.
3,744,662	A	7/1973	Zundel	4,723,693	A	2/1988	DeCoster
3,782,583	A	1/1974	Abbey	4,726,091	A	2/1988	Joyce
3,788,510	A	1/1974	Collins	4,735,334	A	4/1988	Abbott
3,871,550	A	3/1975	Chiappe	4,739,906	A	4/1988	LoTurco
3,874,580	A	4/1975	Weatherhead, III	4,752,014	A	6/1988	House et al.
3,877,604	A	4/1975	Brown	4,778,071	A	10/1988	Fillmore
3,888,373	A	6/1975	Gach et al.	4,792,054	A	12/1988	Weidman
3,952,912	A	4/1976	Perry	4,793,501	A	12/1988	Beck
3,966,080	A	6/1976	Bittel	4,793,502	A	12/1988	Beck
4,022,352	A	5/1977	Pehr	4,823,995	A	4/1989	Lewis
4,029,033	A	6/1977	Kerwin et al.	4,838,441	A	6/1989	Chernack
4,029,202	A	6/1977	Lasich et al.	4,848,612	A	7/1989	Beck
4,030,630	A	6/1977	Yealy	4,854,473	A	8/1989	Dubach
D245,750	S	9/1977	Maclean	4,878,589	A	11/1989	Webster et al.
4,059,201	A	11/1977	Foster	4,881,668	A	11/1989	Kitterman et al.
4,069,942	A	1/1978	Marshall et al.	4,881,688	A	11/1989	Hankvist et al.
				D305,206	S	12/1989	Hickman et al.

US D509,426 S

D305,734 S	1/1990	Allen	5,680,968 A	10/1997	Moore
4,898,292 A	2/1990	VerWeyst et al.	D385,791 S	11/1997	Forsyth et al.
D306,563 S	3/1990	Johnson	5,743,444 A	4/1998	Beck et al.
D306,701 S	3/1990	Beck	5,762,216 A	6/1998	Takeuchi
4,927,065 A	5/1990	Beck	5,785,193 A	7/1998	Kobayashi et al.
4,934,590 A	6/1990	Robichaud et al.	5,799,838 A	9/1998	Miller
4,936,494 A	6/1990	Weidman	5,829,609 A	11/1998	Beck
4,938,390 A	7/1990	Markva	5,829,611 A	11/1998	Beck
4,940,167 A	7/1990	Fillmore et al.	5,842,592 A	12/1998	Beck
4,955,504 A	9/1990	Lesscher	5,865,353 A	2/1999	Baudin
4,955,513 A	9/1990	Bennett	5,875,907 A	3/1999	Lay
4,967,941 A	11/1990	Beck	D407,976 S	4/1999	Ekkert
4,971,213 A	11/1990	Ishinabe et al.	5,913,435 A	6/1999	Fuchs
4,984,716 A	1/1991	Beck	D413,064 S	8/1999	Bansal
4,993,606 A	2/1991	Bolen, Jr. et al.	D414,698 S	10/1999	Mogard et al.
5,007,555 A	4/1991	Beck	5,971,231 A	10/1999	Samz et al.
5,016,787 A	5/1991	Beck	5,975,368 A	11/1999	Wood
D318,778 S	8/1991	Fiore et al.	5,996,859 A	12/1999	Beck
D319,588 S	9/1991	Beck	D419,069 S	1/2000	Beck et al.
5,048,730 A	9/1991	Forsyth et al.	6,024,256 A	2/2000	Beck et al.
D320,739 S	10/1991	Camus	6,102,257 A	8/2000	Goyet
D320,746 S	10/1991	Bolen, Jr. et al.	D435,445 S	12/2000	Arai et al.
D321,137 S	10/1991	Hofmann et al.	6,158,632 A	12/2000	Ekkert
5,052,572 A	10/1991	Pherigo	6,164,503 A	12/2000	Forsyth et al.
D321,476 S	11/1991	Alcover	D436,040 S	1/2001	Warner et al.
5,067,624 A	11/1991	Thanisch	6,170,664 B1	1/2001	Dar
D323,461 S	1/1992	Beck	6,202,872 B1	3/2001	Smeyak et al.
D323,462 S	1/1992	Beck	D440,156 S	4/2001	Lonczak et al.
5,083,671 A	1/1992	Hayes	6,250,507 B1	6/2001	Ekkert
D324,175 S	2/1992	Beck	6,250,517 B1	6/2001	Samz et al.
5,085,331 A	2/1992	Groya et al.	6,283,317 B1	9/2001	Benoit gonin et al.
5,129,531 A	7/1992	Beck et al.	6,289,906 B1	9/2001	Vanden Dries et al.
5,129,533 A	7/1992	Loffler	6,296,130 B1	10/2001	Forsyth et al.
5,143,234 A	9/1992	Lohrman et al.	6,299,033 B1	10/2001	VerWeyst et al.
D331,877 S	12/1992	Robichaud et al.	6,308,870 B2	10/2001	Samz et al.
D331,878 S	12/1992	Forsyth	6,321,923 B1	11/2001	Wood
5,167,338 A	12/1992	Kick	6,325,231 B1	12/2001	Ketting et al.
5,197,634 A	3/1993	Beck	6,332,551 B1	12/2001	Copeland
5,211,301 A	5/1993	Groya et al.	D453,892 S	2/2002	Lindsay et al.
5,215,204 A	6/1993	Beck et al.	RE37,634 E	4/2002	Hickman et al.
5,219,100 A	6/1993	Beck et al.	6,382,476 B1	5/2002	Randall et al.
D339,065 S	9/1993	Forsyth et al.	6,405,885 B1	6/2002	Elliott
D340,187 S	10/1993	Forsyth	6,439,410 B1	8/2002	Dubach
D340,188 S	10/1993	Forsyth	6,460,712 B2	10/2002	Smith et al.
5,282,540 A	2/1994	Beck	6,460,718 B1	10/2002	Vogel
5,297,688 A	3/1994	Beck et al.	6,460,726 B1	10/2002	Hierzer et al.
5,305,931 A	4/1994	Martin et al.	6,464,113 B1	10/2002	Vogel
D346,958 S	5/1994	Olson	6,474,491 B1	11/2002	Benoit-Gonin et al.
5,314,093 A	5/1994	Gross et al.	6,477,743 B1	11/2002	Gross et al.
D347,974 S	6/1994	McBride	6,481,589 B2	11/2002	Blomdahl et al.
5,328,063 A	7/1994	Beck et al.	6,488,187 B2	12/2002	Sheffler et al.
5,330,082 A	7/1994	Forsyth	6,494,346 B2	12/2002	Gross et al.
5,339,993 A	8/1994	Groya et al.	D468,639 S	1/2003	Wennerstrom et al.
5,356,017 A	10/1994	Rohr et al.	6,508,373 B1	1/2003	Robinson
D355,121 S	2/1995	Kohl	6,510,971 B1	1/2003	Martin
5,423,442 A	6/1995	Nozawa et al.	6,575,323 B1	6/2003	Martin et al.
5,467,879 A	11/1995	Moore	D476,892 S	7/2003	Martin et al.
5,489,035 A	2/1996	Fuchs	2003/0111495 A1 *	6/2003	Parve et al.
5,494,200 A	2/1996	Sheffler et al.			
5,499,736 A	3/1996	Kohl			
5,507,419 A	4/1996	Martin et al.			
5,509,582 A	4/1996	Robbins, III			
5,511,679 A	4/1996	Beck			
5,542,579 A	8/1996	Robbins, III			
5,566,850 A	10/1996	Forsyth et al.			
5,579,957 A	12/1996	Gentile et al.			
5,588,546 A	12/1996	Farside			
5,601,213 A	2/1997	Daniello			
5,632,417 A	5/1997	Robbins, III et al.			
5,642,824 A	7/1997	Hess, III et al.			
5,667,089 A	9/1997	Moore			

OTHER PUBLICATIONS

Cap of a type understood to be commercially available and having two flaps with two dispensing openings (six photographs, one sheet).

Cap of a type understood to be commercially available from Kraft Foods North America, Inc. (fourteen photographs, two sheets).

Cap of a type understood to be commercially available from Kraft Foods North America, Inc. (ten photographs, one sheet).

Cap of a type understood to be commercially available from Nestle Purina Petcare Company (twelve photographs, two sheets).

Cap of a type understood to be commercially available from Resibel N.V. in or about 1996 and made available/obtained during discovery in *Gateway Plastics, Inc. v. Weatherchem Corp.*, Case No. 02-C-0870 (E.D. Wis.) (twelve photographs, two sheets).

Amended complaint, *Gateway Plastics, Inc. v. Weatherchem Corporation*, Case No. 02-C-0870 (E.D. Wis.), Dated Nov. 18, 2002, with legible of Exhibit D.

Answer and Counterclaim, *Gateway Plastics, Inc. v. Weatherchem Corporation*, Case No. 02-C-0870 (E.D. Wis.), Dated Dec. 5, 2002.

Amended Answer and Counterclaim, *Gateway Plastics, Inc. v. Weatherchem Corp.*, Case No. 02-C-0870 (E.D. Wis.); filed Sep. 2, 2003.

Brief in Support of Motion by Plaintiff Gateway Plastics, Inc. for a Preliminary Injunction, *Gateway Plastics, Inc. v. Weatherchem Corp.*, Case No. 02-C-0870 (E.D. Wis.); filed Dec. 19, 2003.

Weatherchem's Brief in Opposition to Gateway's Motion for Preliminary Injunction, *Gateway Plastics, Inc. v. Weatherchem Corp.*, Case No. 02-C-0870 (E.D. Wis.); filed Feb. 4, 2004.

Decision and Order, *Gateway Plastics, Inc. v. Weatherchem Corp.*, Case No. 02-C-0870 (E.D. Wis.); filed Dec. 17, 2003.

Weatherchem Exhibit Nos. WC 601-WC 648 and WC 651-WC 653B in Opposition to Preliminary Injunction, *Gateway Plastics, Inc. v. Weatherchem Corp.*, Case No. 02-C-0870 (E.D. Wis.); filed Feb. 4, 2004.

* cited by examiner

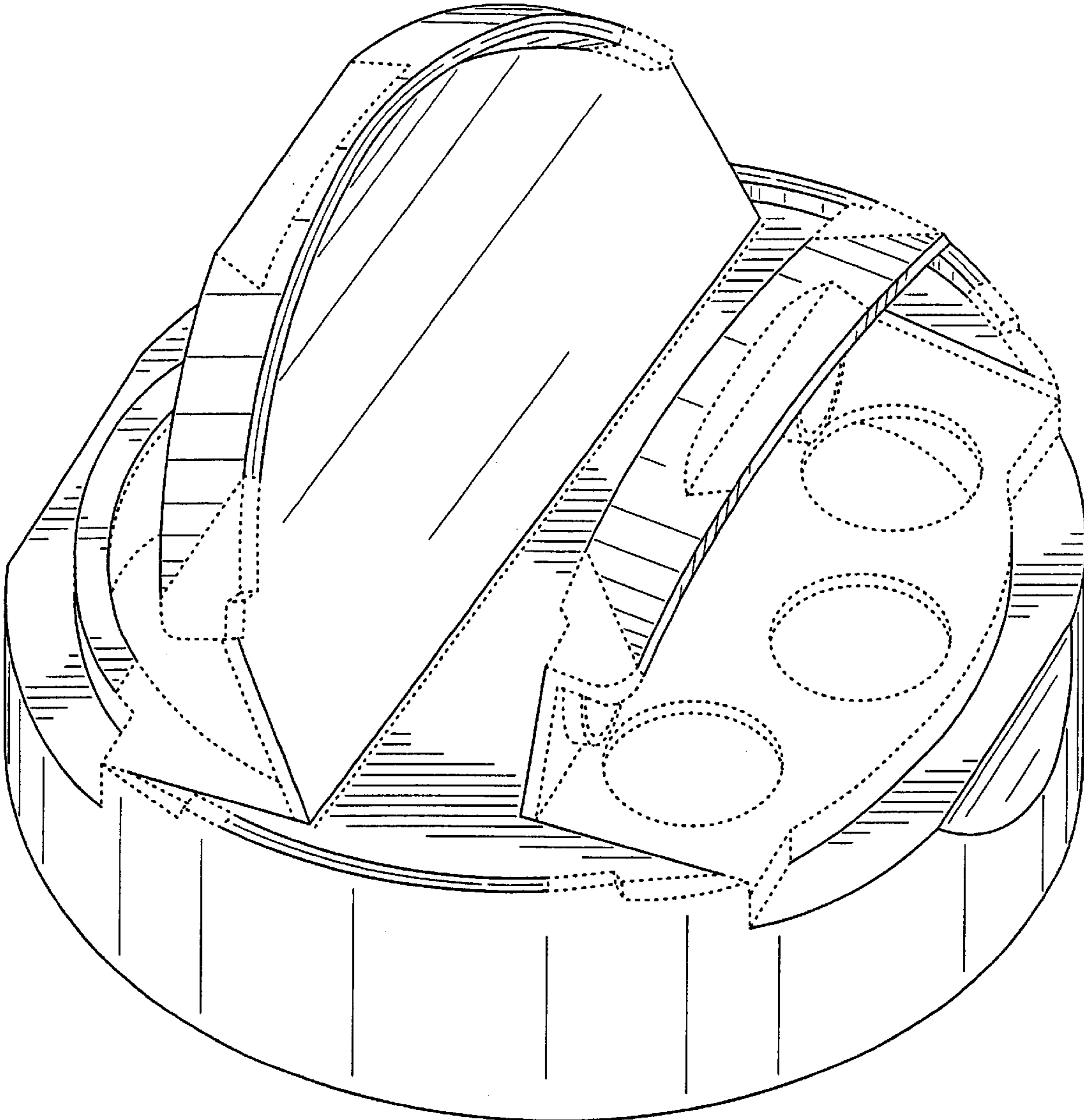


FIG. 1

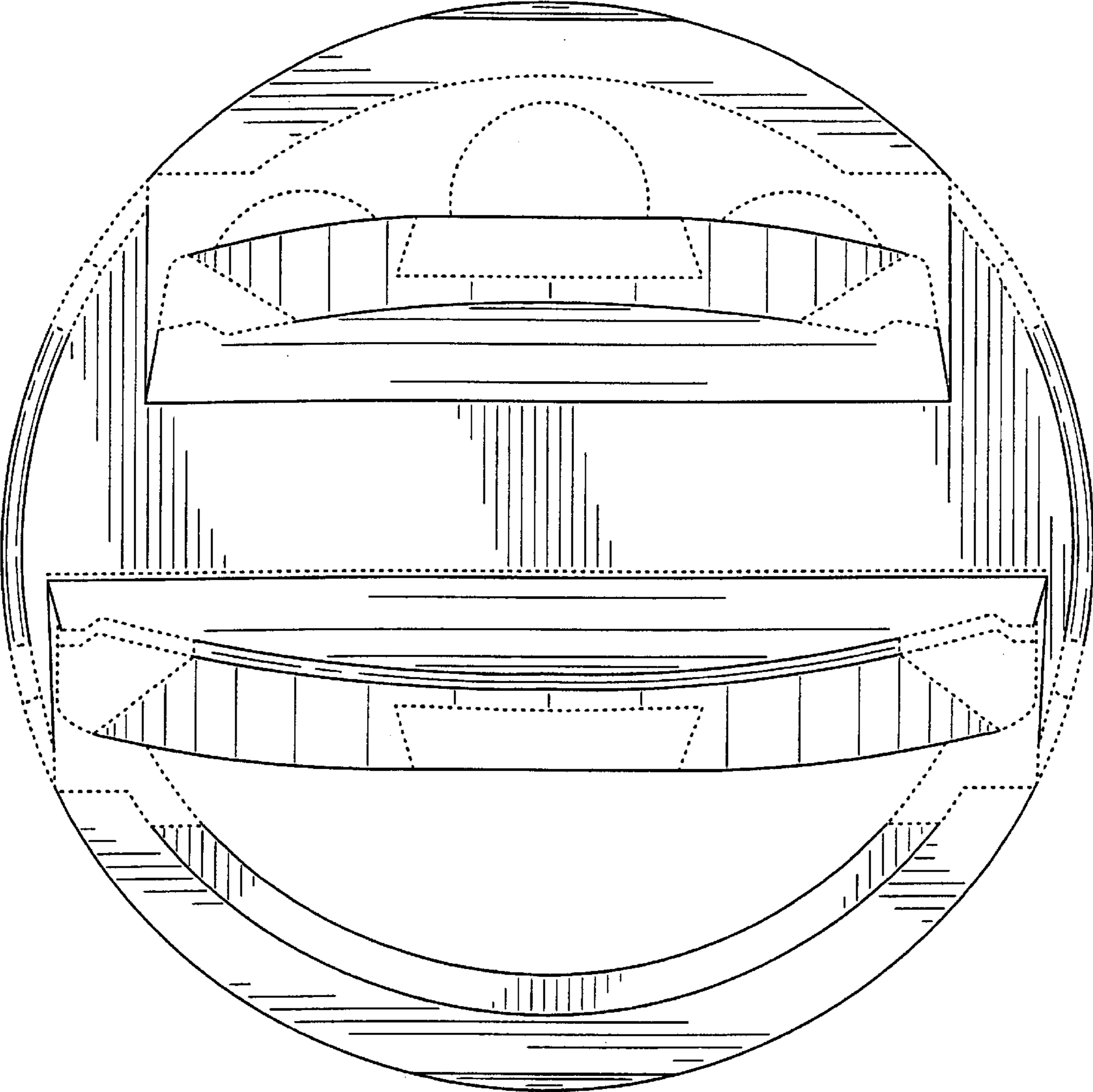


FIG. 2

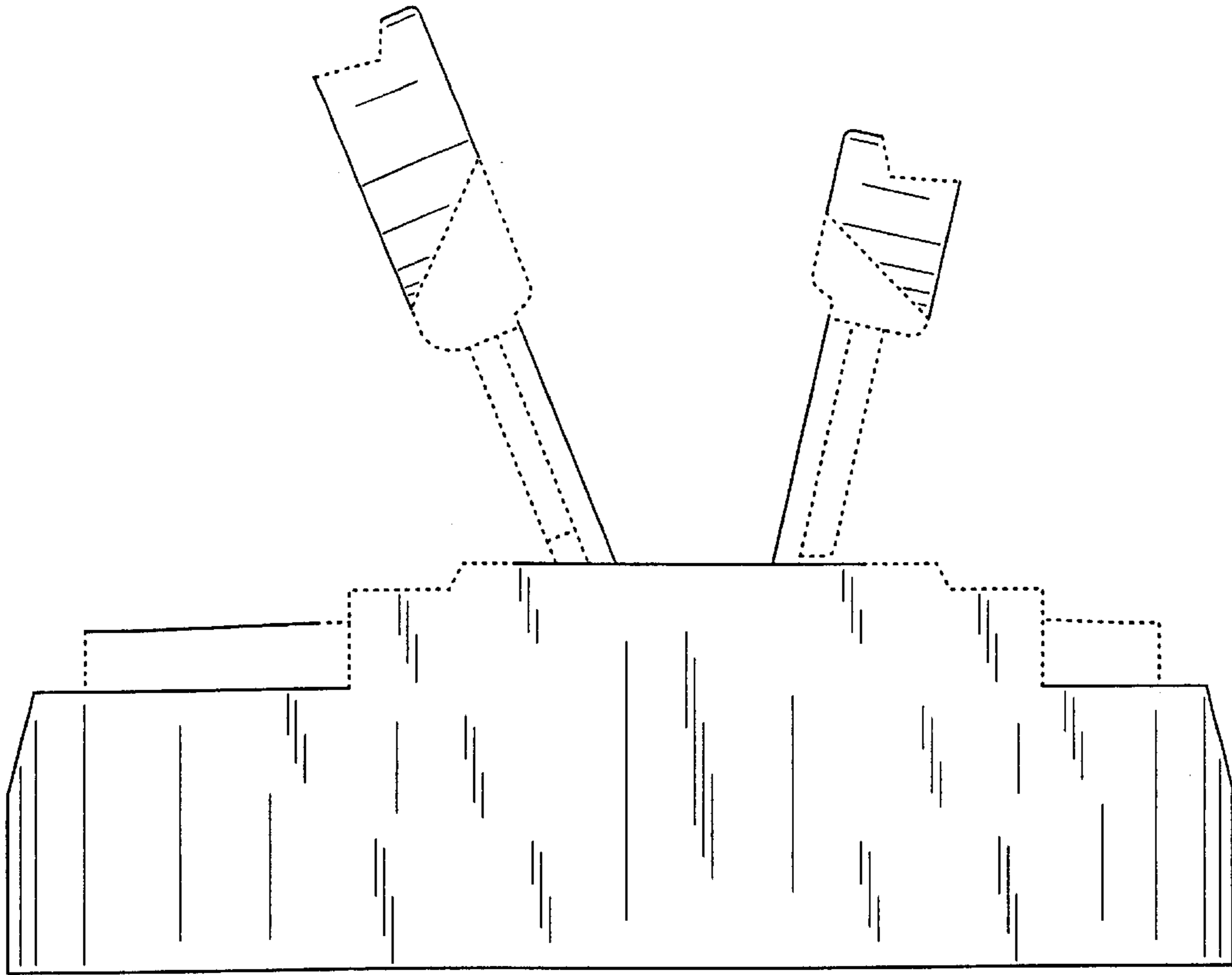


FIG. 3

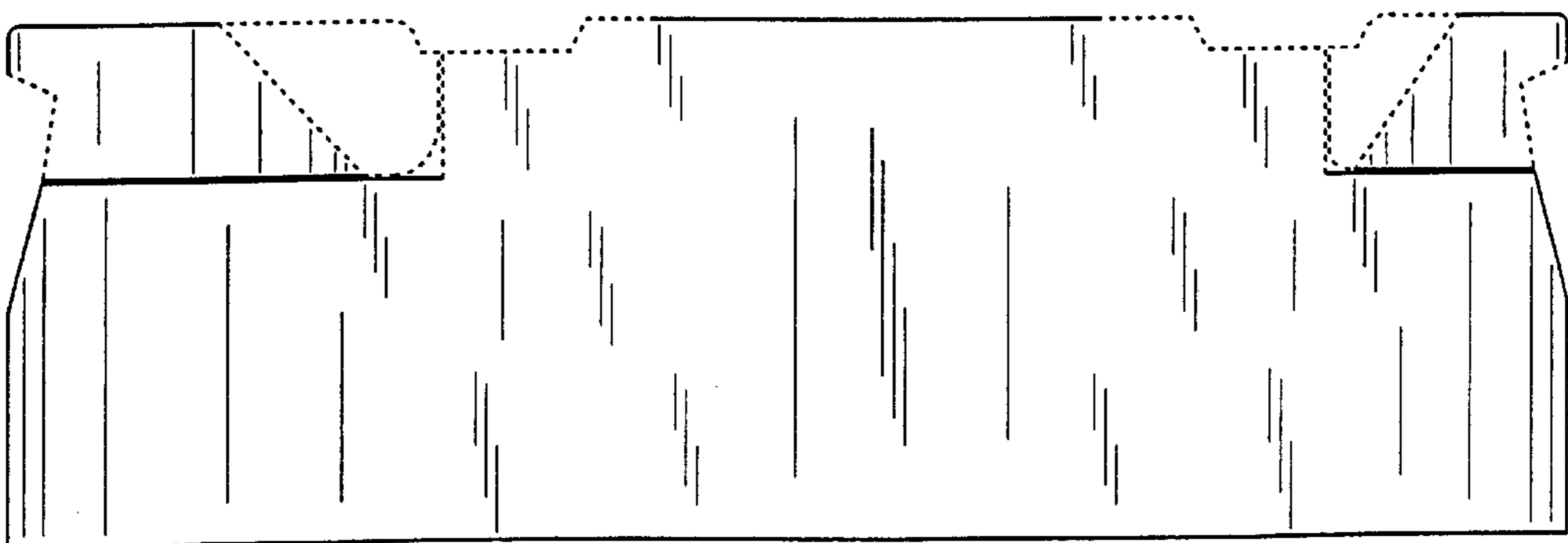


FIG. 4