

US00D509418S

(12) **United States Design Patent** (10) **Patent No.:** **US D509,418 S**
Leasure (45) **Date of Patent:** **** Sep. 13, 2005**

(54) **PNEUMATIC FASTENER**
 (75) **Inventor:** **Jeremy D. Leasure**, Jackson, TN (US)
 (73) **Assignee:** **Porter-Cable Corporation**, Jackson, TN (US)
 (**) **Term:** **14 Years**
 (21) **Appl. No.:** **29/196,743**
 (22) **Filed:** **Dec. 31, 2003**

Related U.S. Application Data

(63) Continuation-in-part of application No. 29/194,381, filed on Nov. 19, 2003, now Pat. No. Des. 498,127.
 (51) **LOC (8) Cl.** **08-05**
 (52) **U.S. Cl.** **D8/68**
 (58) **Field of Search** D8/14.1, 61, 62, D8/63, 64, 65, 66, 67, 68, 69, 70; 81/57.11, 429, 464, 465, 466, 469, 489; 173/13, 169, 178, 213, 217; 227/8, 114, 120, 130, 136, 142; 310/50; 408/20, 124, 125, 234, 241 R; 451/358

References Cited

U.S. PATENT DOCUMENTS

D316,022 S * 4/1991 Moraht D8/69
 D334,329 S * 3/1993 Ogawa et al. D8/68
 D336,026 S * 6/1993 Fujiwara D8/68
 D337,252 S * 7/1993 Tsuru et al. D8/69
 D338,818 S * 8/1993 Katsuba D8/62
 D358,749 S * 5/1995 Matsunaga et al. D8/69
 D377,592 S * 1/1997 Hattori D8/69
 D387,260 S * 12/1997 Hattori D8/69
 5,715,982 A * 2/1998 Adachi 227/8
 5,720,422 A * 2/1998 Ichikawa et al. 227/120
 D392,170 S * 3/1998 Hattori D8/68
 D402,873 S * 12/1998 Warner et al. D8/69
 5,842,625 A * 12/1998 Kimura 227/136
 5,878,936 A * 3/1999 Adachi et al. 227/130
 D410,182 S * 5/1999 Etter et al. D8/69
 D415,002 S * 10/1999 Rogers et al. D8/69
 D416,182 S * 11/1999 Kaiser et al. D8/69
 D420,878 S * 2/2000 Li D8/69

D435,205 S * 12/2000 Etter et al. D8/68
 6,161,744 A * 12/2000 Mukoyama et al. 227/120
 D435,769 S * 1/2001 Etter et al. D8/68
 D435,770 S * 1/2001 Arai D8/68
 D438,079 S * 2/2001 Hattori D8/69
 6,296,167 B1 * 10/2001 Jen 227/120
 D458,525 S * 6/2002 Buck D8/68
 D459,184 S * 6/2002 Buck D8/69
 D461,694 S * 8/2002 Buck D8/68
 6,431,428 B1 * 8/2002 Chen 227/120
 D462,884 S * 9/2002 Oh D8/69
 D466,781 S * 12/2002 Matsuoka et al. D8/69
 D474,386 S * 5/2003 Arai D8/68
 D475,597 S * 6/2003 Arai D8/68
 D477,514 S * 7/2003 Chen D8/68
 D477,762 S * 7/2003 Bor D8/68
 D477,976 S * 8/2003 Liu D8/68
 D478,490 S * 8/2003 Wu D8/68
 D486,048 S * 2/2004 Hattori D8/68
 D486,712 S * 2/2004 Yao D8/68
 D491,035 S * 6/2004 Buck D8/68
 D497,091 S * 10/2004 Leasure D8/68
 D499,321 S * 12/2004 Buck et al. D8/68
 D499,623 S * 12/2004 Buck D8/68
 D500,654 S * 1/2005 Leasure et al. D8/69
 2002/0104866 A1 * 8/2002 Miller et al. 227/8
 2003/0201300 A1 * 10/2003 Chen 227/120
 2003/0218044 A1 * 11/2003 Laubach et al. 227/120
 2004/0169057 A1 * 9/2004 Ronconi 227/120

* cited by examiner

Primary Examiner—Gary D. Watson
Assistant Examiner—T. Chase Nelson
 (74) *Attorney, Agent, or Firm*—Suiter West PC LLO

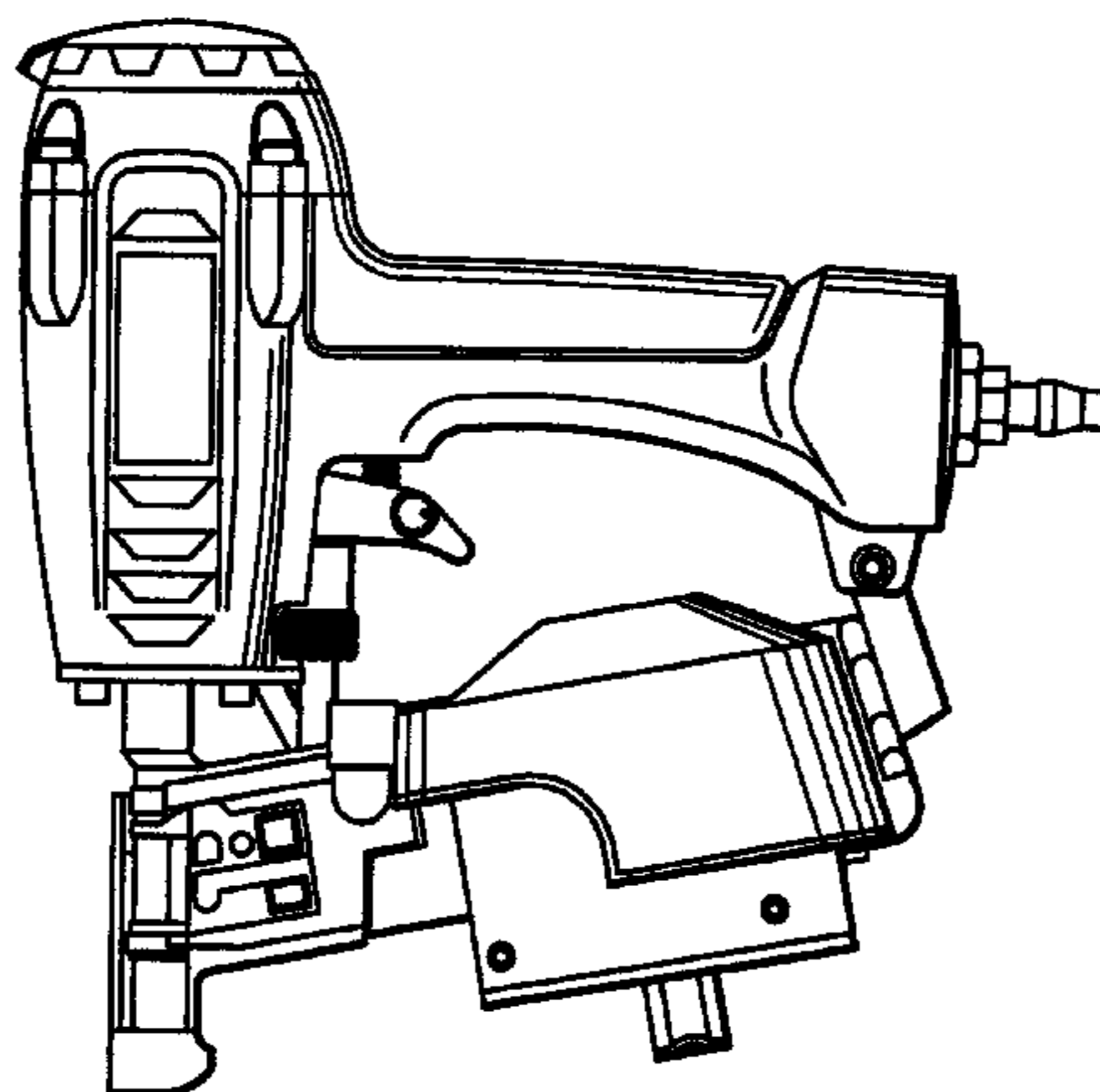
(57) **CLAIM**

I claim the ornamental design for a pneumatic fastener, as shown.

DESCRIPTION

FIG. 1 is a top plan view of a pneumatic fastener showing my new design;
 FIG. 2 is a front elevational view of FIG. 1;
 FIG. 3 is a left side elevational view of FIG. 1;
 FIG. 4 is a rear elevational view of FIG. 1;
 FIG. 5 is a right side elevational view of FIG. 1; and,
 FIG. 6 is a bottom plan view of FIG. 1.

1 Claim, 2 Drawing Sheets



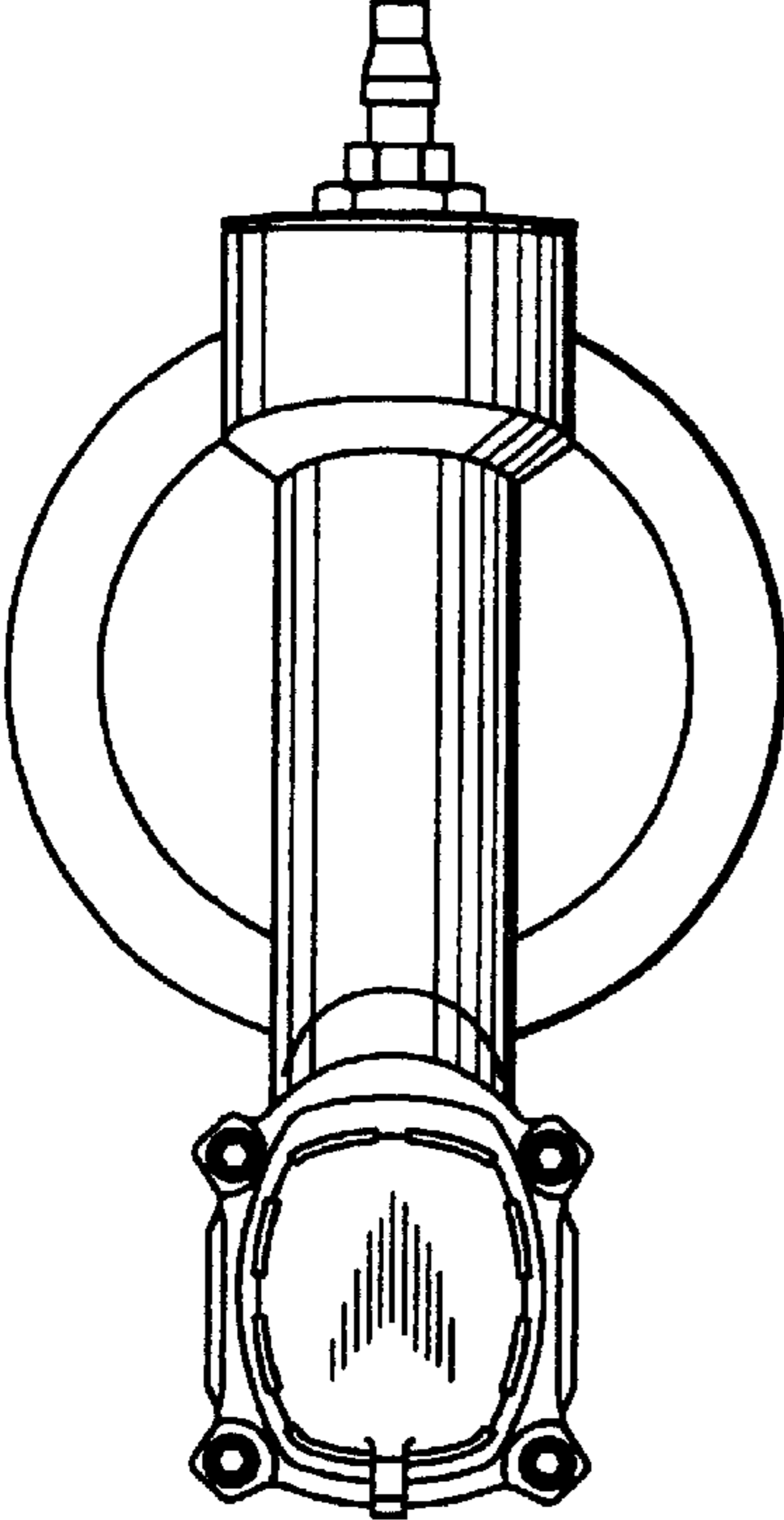


FIG. 1

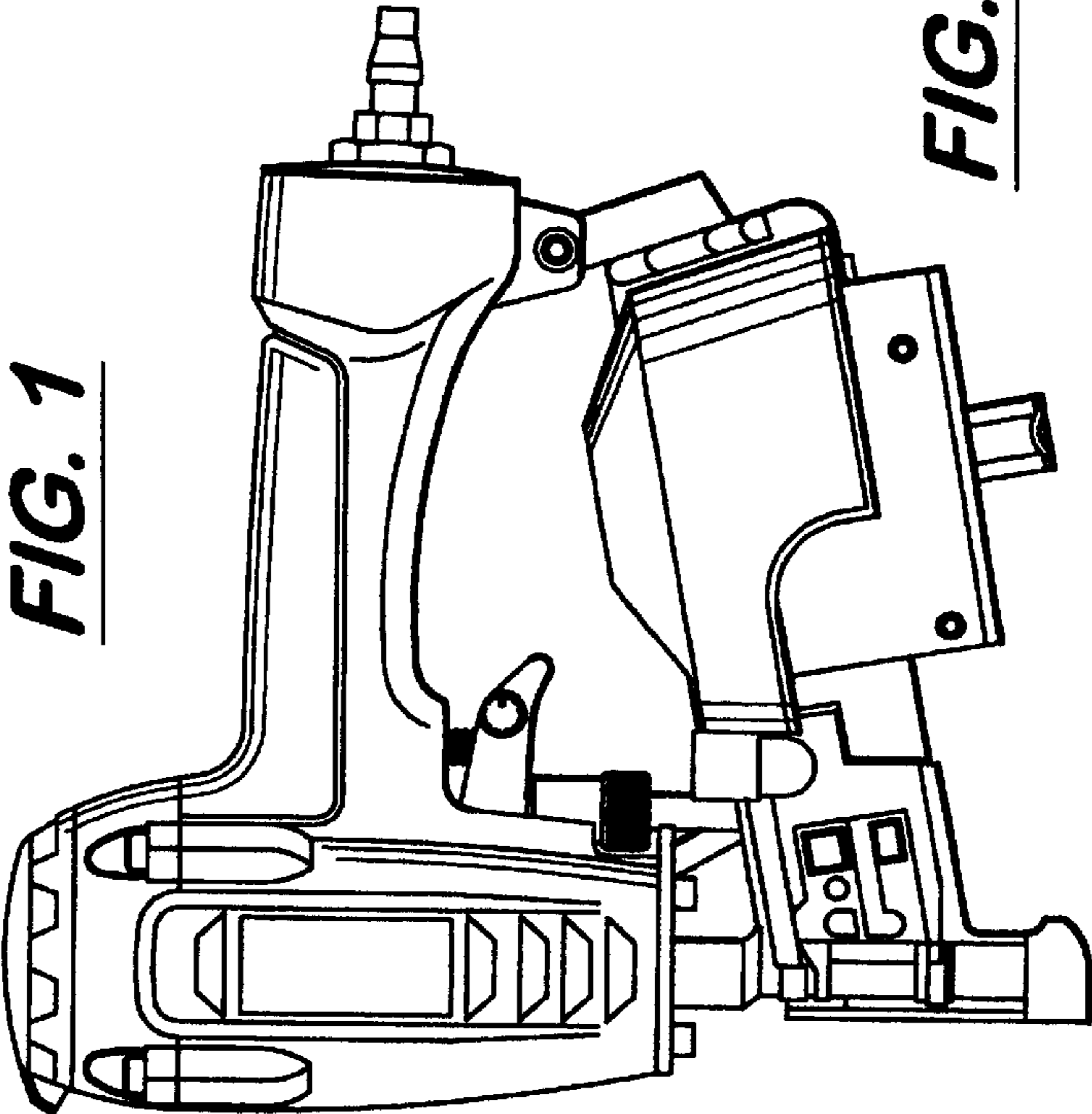


FIG. 3

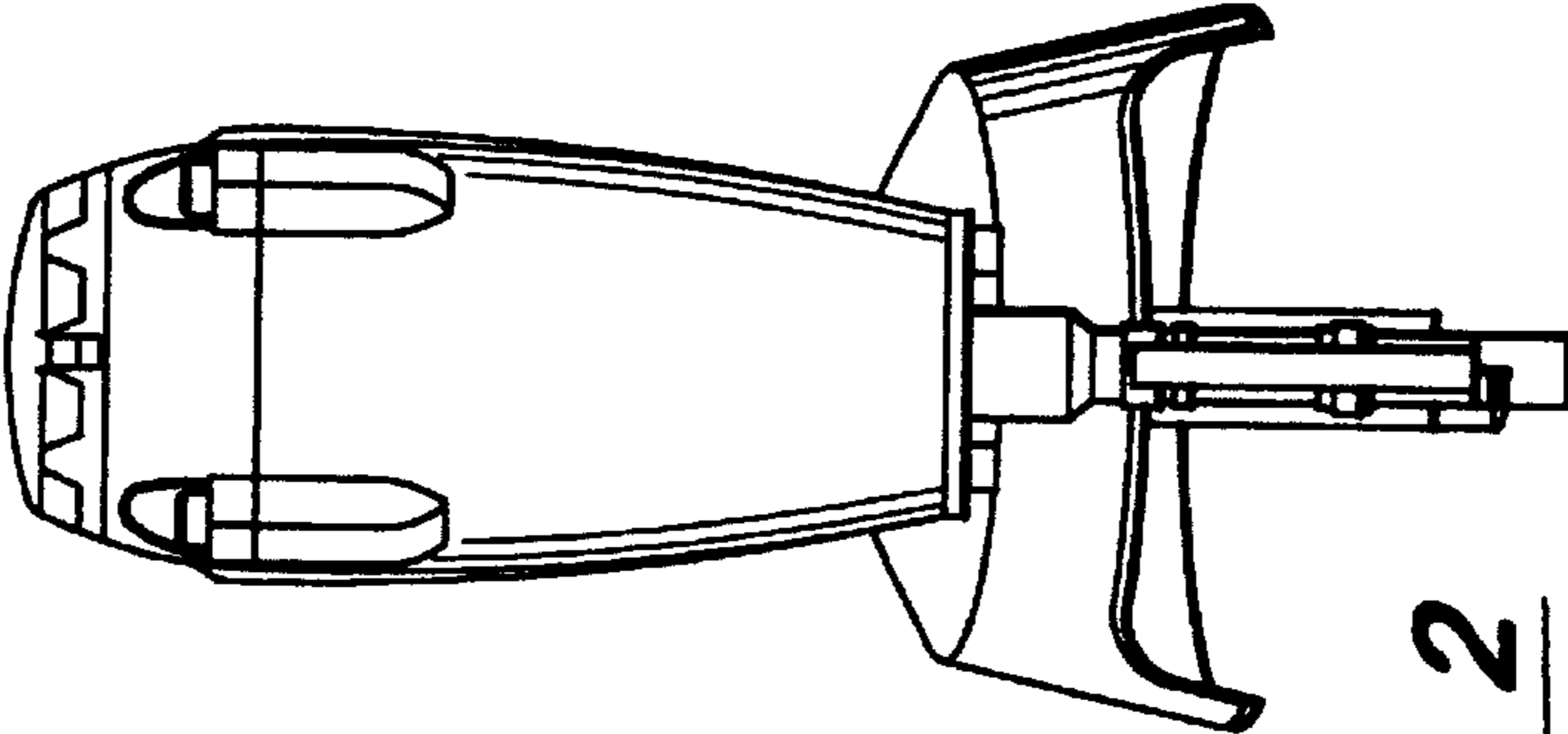


FIG. 2

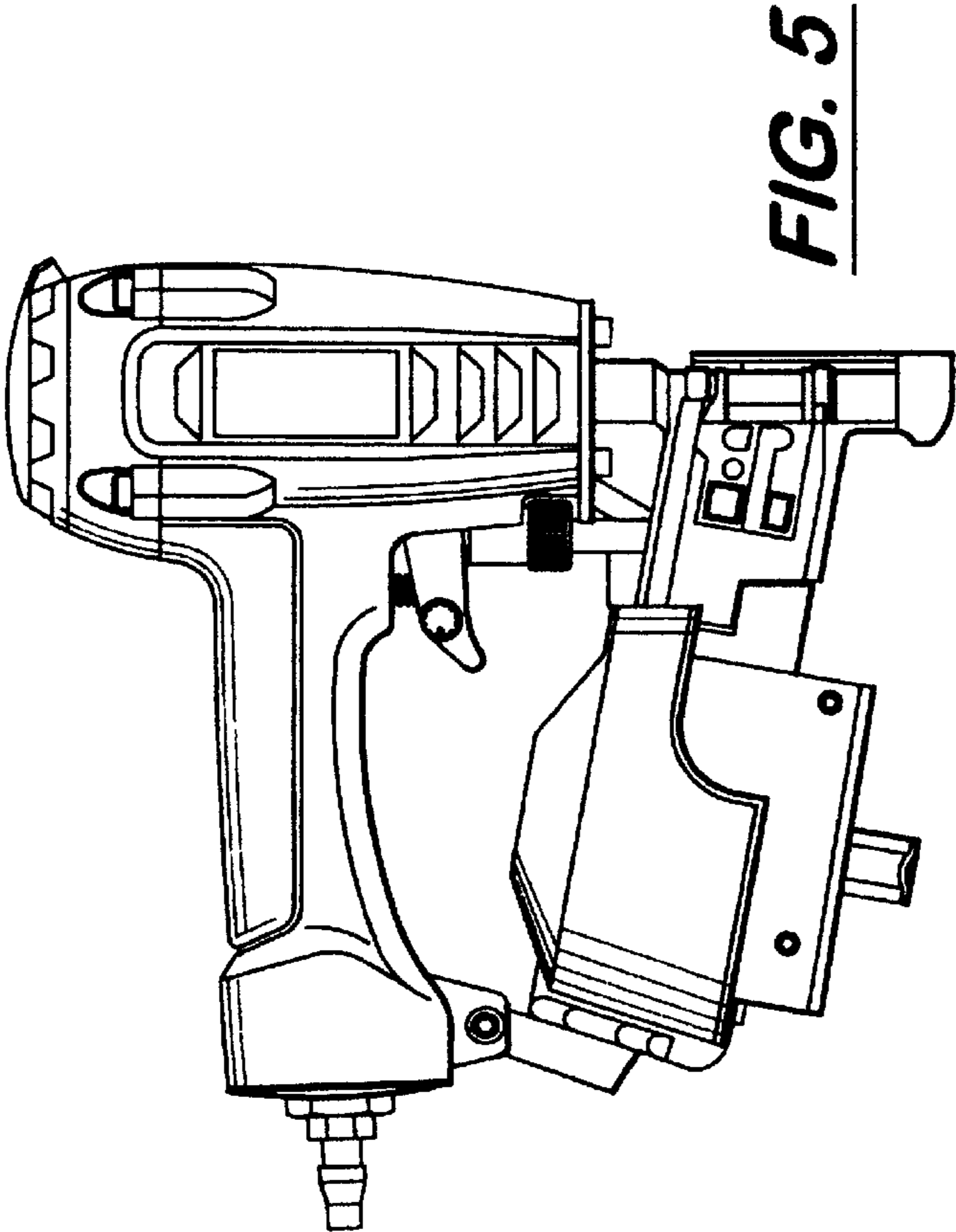


FIG. 5

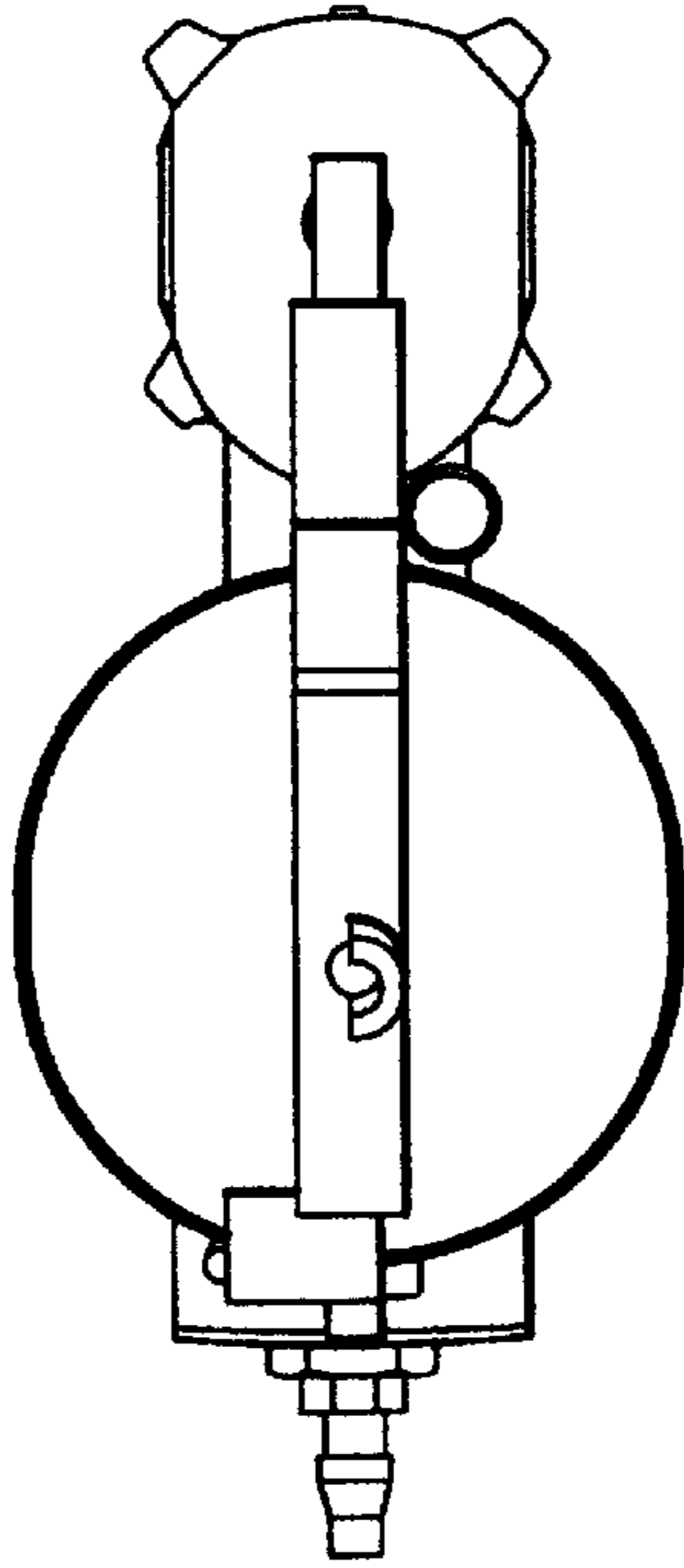


FIG. 6

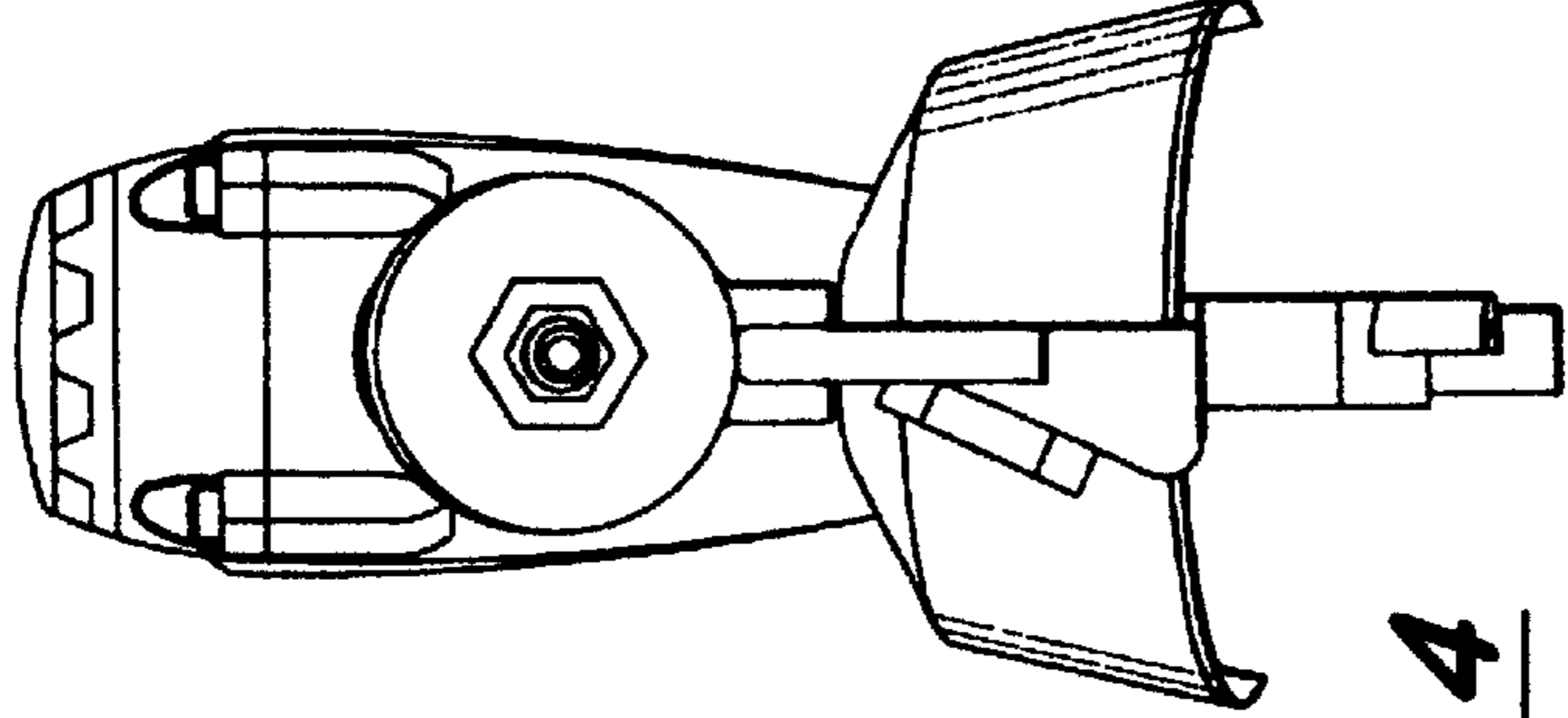


FIG. 4