

US00D509417S

(12) **United States Design Patent** (10) **Patent No.:** **US D509,417 S**
Wikle et al. (45) **Date of Patent:** **** Sep. 13, 2005**

(54) **SANDER**

(75) Inventors: **David L. Wikle**, York, PA (US); **Stuart J. Wright**, Timonium, MD (US)

(73) Assignee: **Black & Decker Inc.**, Newark, DE (US)

(**) Term: **14 Years**

(21) Appl. No.: **29/209,700**

(22) Filed: **Jul. 20, 2004**

(51) **LOC (8) Cl.** **08-01**

(52) **U.S. Cl.** **D8/62**

(58) **Field of Search** D8/61, 62, 67, D8/69; D32/15, 17, 19; 15/97.1; 173/170, 171; 310/50; 451/344, 351, 353, 354, 355, 356, 357, 358, 359, 451, 456

D497,297 S * 10/2004 Wacker et al. D8/62
D498,399 S * 11/2004 Wu D8/62
2003/0037691 A1 * 2/2003 Steele et al. 102/254
2005/0003748 A1 * 1/2005 Dutterer et al. 451/357

OTHER PUBLICATIONS

Web Image of Ridgid Model R2600, 2 pages.
Web Image of Bosch Model 1295D, 3 pages.
Web Image of Bosch Model 1295DVS, 2 pages.
Web Image of Makita Model BO5010, 2 pages.
Web Image of Makita Model BO5012K, 2 pages.
Web Image of Milwaukee Model 6018-6, 2 pages.
Web Image of Porter-Cable Model 334, 2 pages.

* cited by examiner

Primary Examiner—Joel A. Sincavage
Assistant Examiner—Elizabeth Albert
(74) *Attorney, Agent, or Firm*—Michael P. Leary; Charles F. Yocum; Adan Ayala

(56) **References Cited**

U.S. PATENT DOCUMENTS

D310,007 S	8/1990	Saito et al.	
D317,244 S	6/1991	Bunyea	
D323,963 S	2/1992	Bunyea	
D326,398 S	5/1992	Fushiya et al.	
D329,362 S	* 9/1992	Saito et al.	D8/62
D345,089 S	3/1994	Kikuchi et al.	
D352,437 S	11/1994	Chunn et al.	
D376,304 S	12/1996	Clowers et al.	
D386,376 S	* 11/1997	Kaneko et al.	D8/62
D392,861 S	3/1998	Gildersleeve et al.	
D408,245 S	4/1999	Evans et al.	
D448,262 S	9/2001	Huen	
D468,178 S	1/2003	Wright et al.	
D468,608 S	1/2003	Wacker et al.	
D476,543 S	7/2003	Wu	
D478,488 S	8/2003	Bruno et al.	

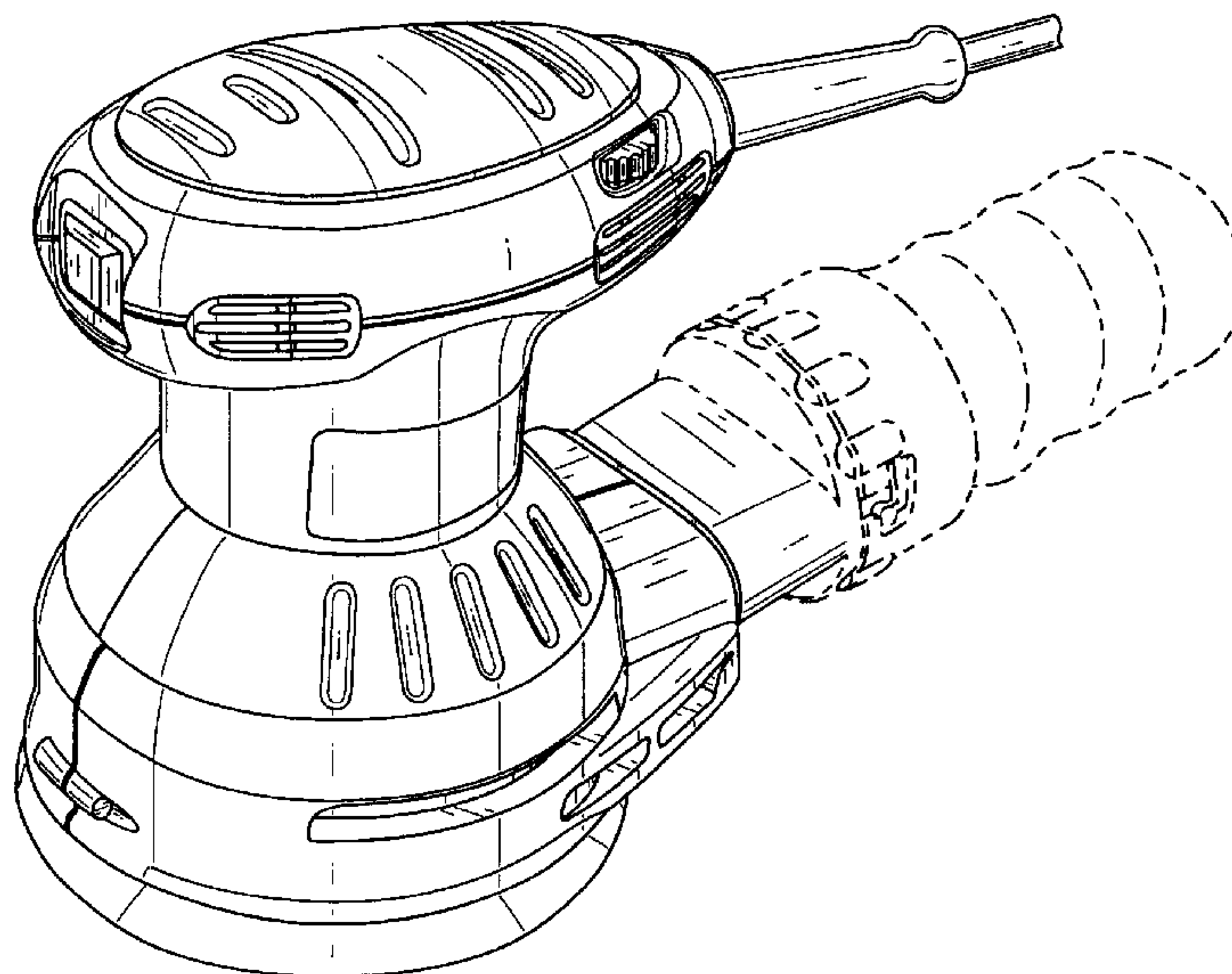
(57) **CLAIM**

The ornamental design for a sander, as shown and described.

DESCRIPTION

FIG. 1 is a perspective view of a sander showing our new design.
FIG. 2 is a front view of the sander shown in FIG. 1.
FIG. 3 is a rear view of the sander shown in FIG. 1.
FIG. 4 is a right side view of the sander shown in FIG. 1.
FIG. 5 is a left side view of the sander shown in FIG. 1.
FIG. 6 is a top view of the sander shown in FIG. 1; and,
FIG. 7 is a bottom view of the sander shown in FIG. 1.
The broken lines are included for the purpose of illustrating portions of the platen and dust box that form no part of the claimed design.

1 Claim, 7 Drawing Sheets



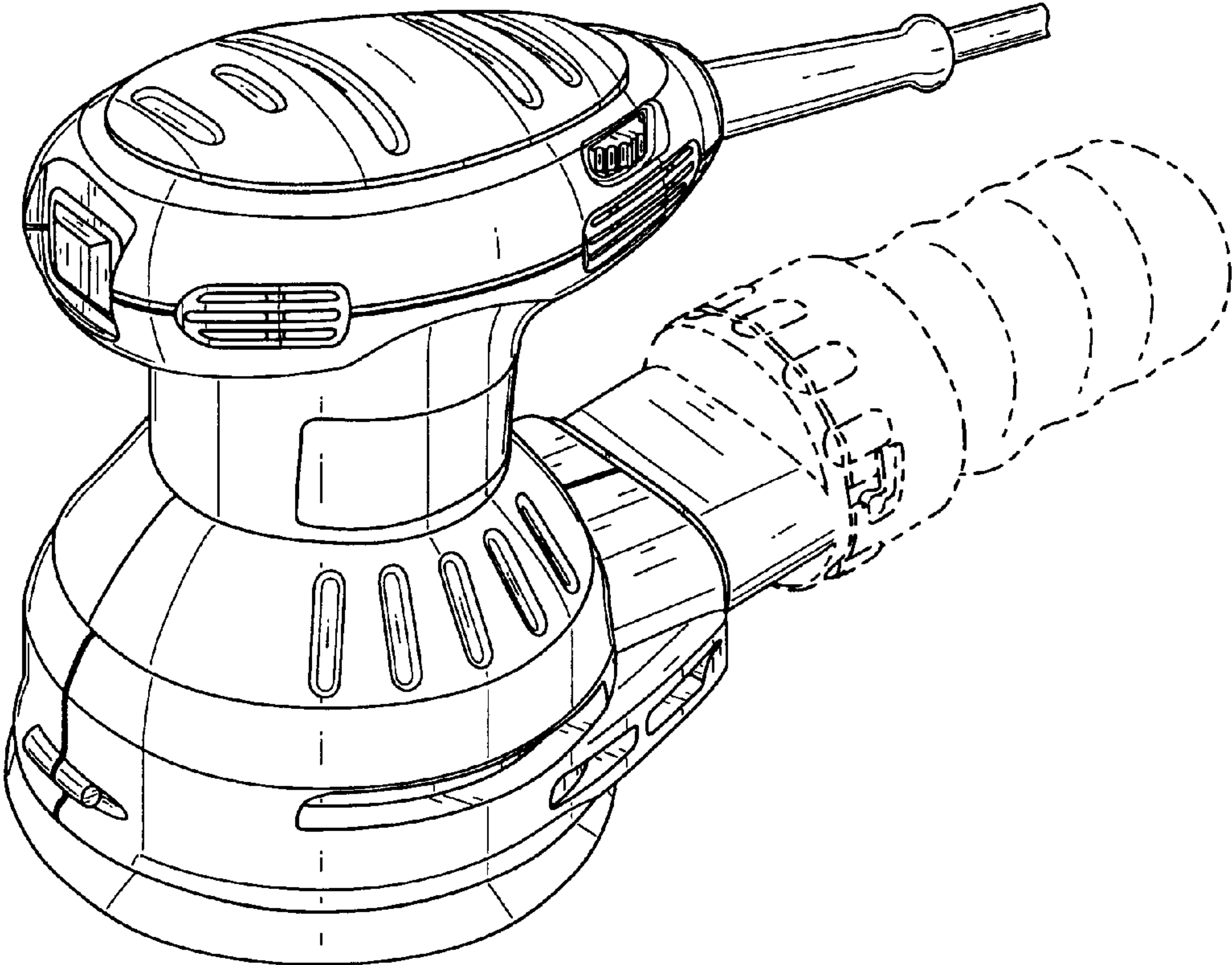


FIG. 1

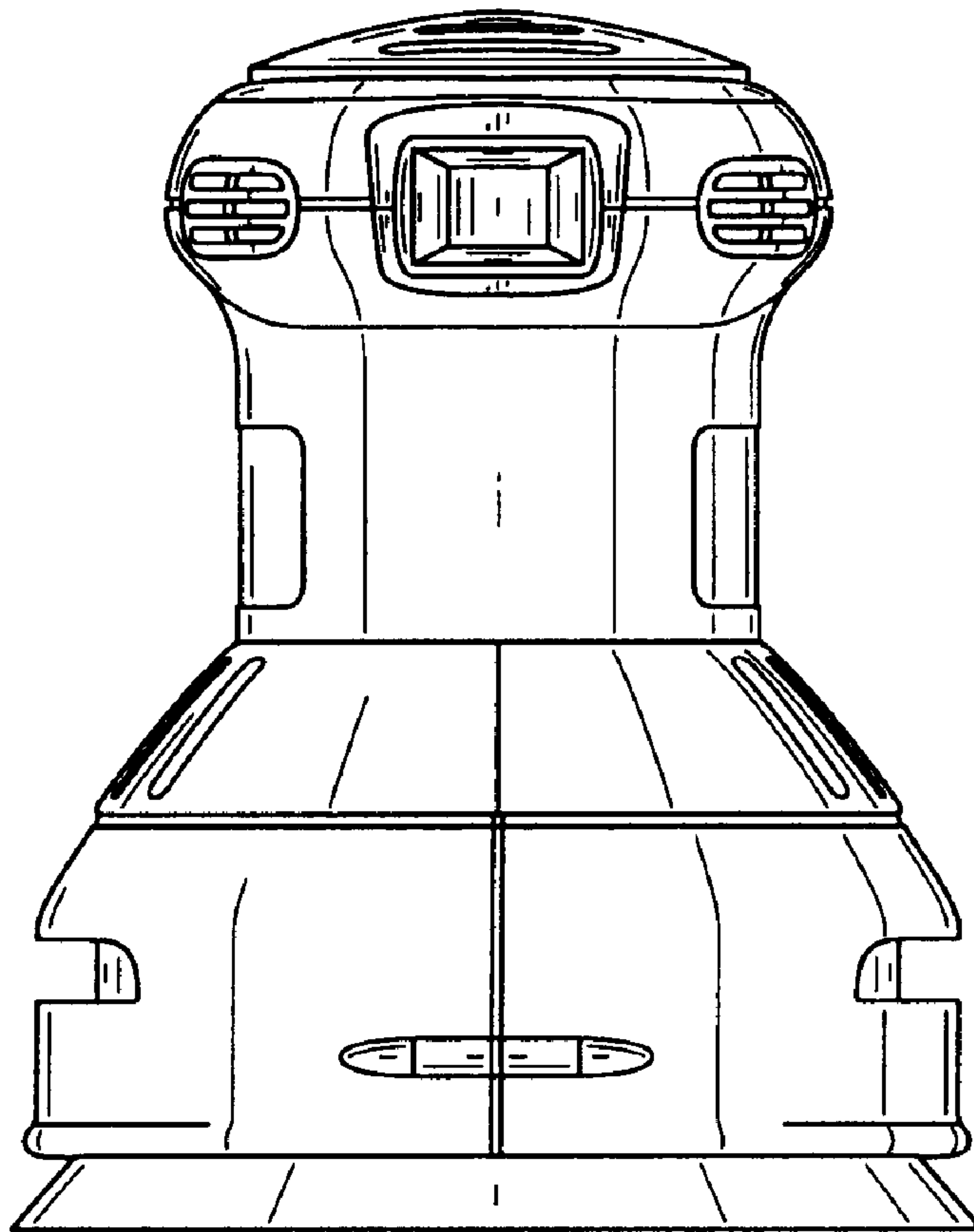


FIG. 2

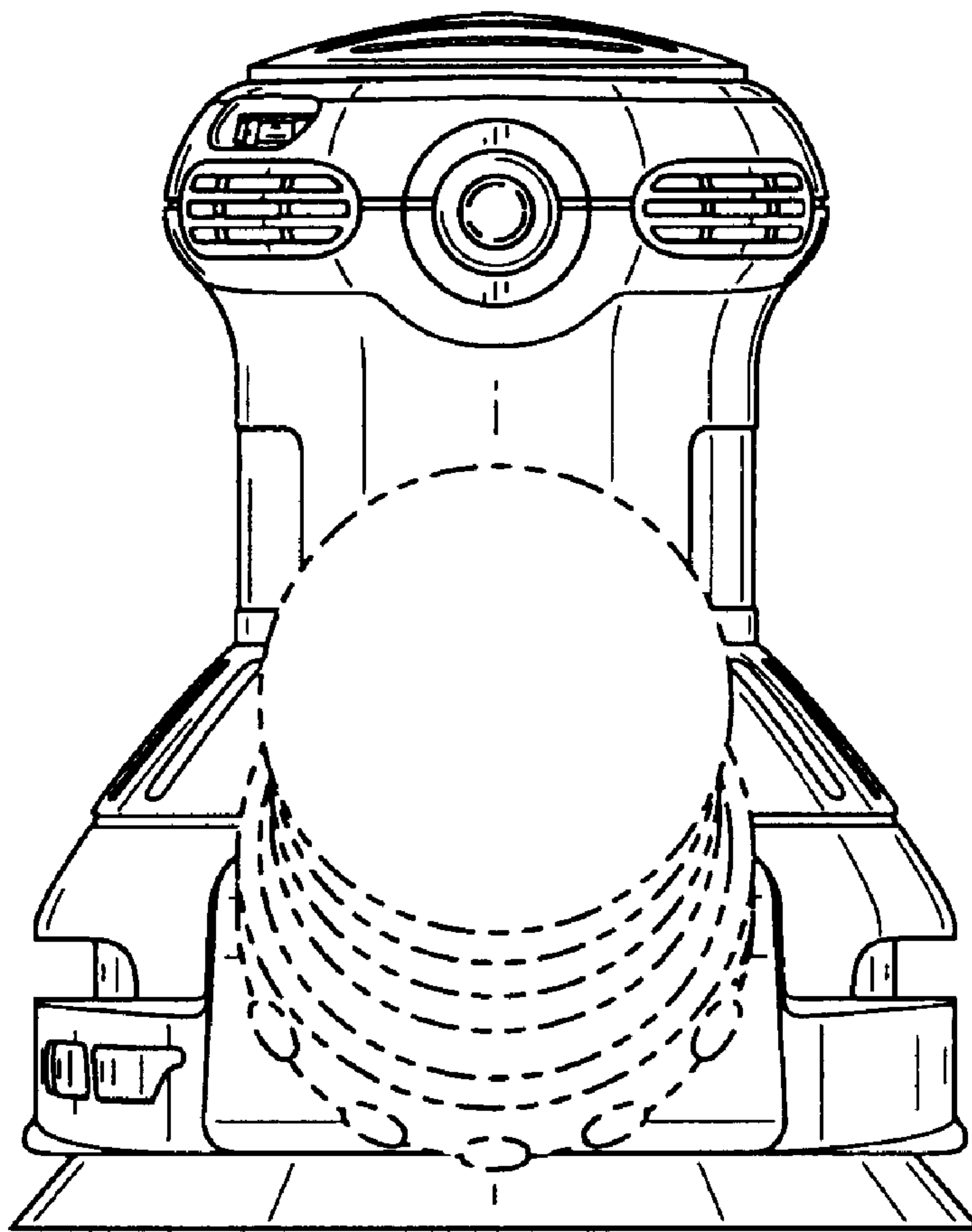


FIG. 3

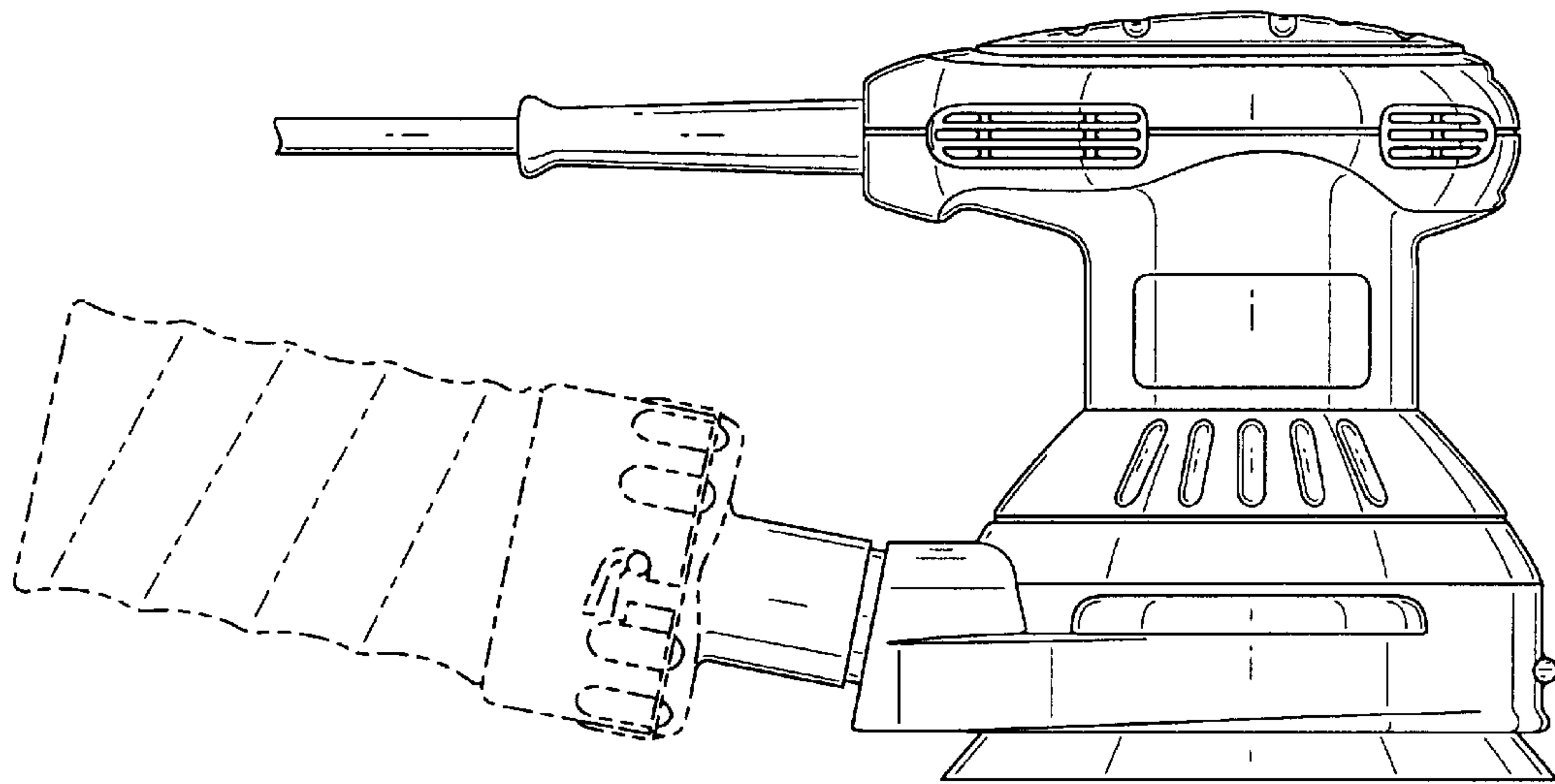


FIG. 4

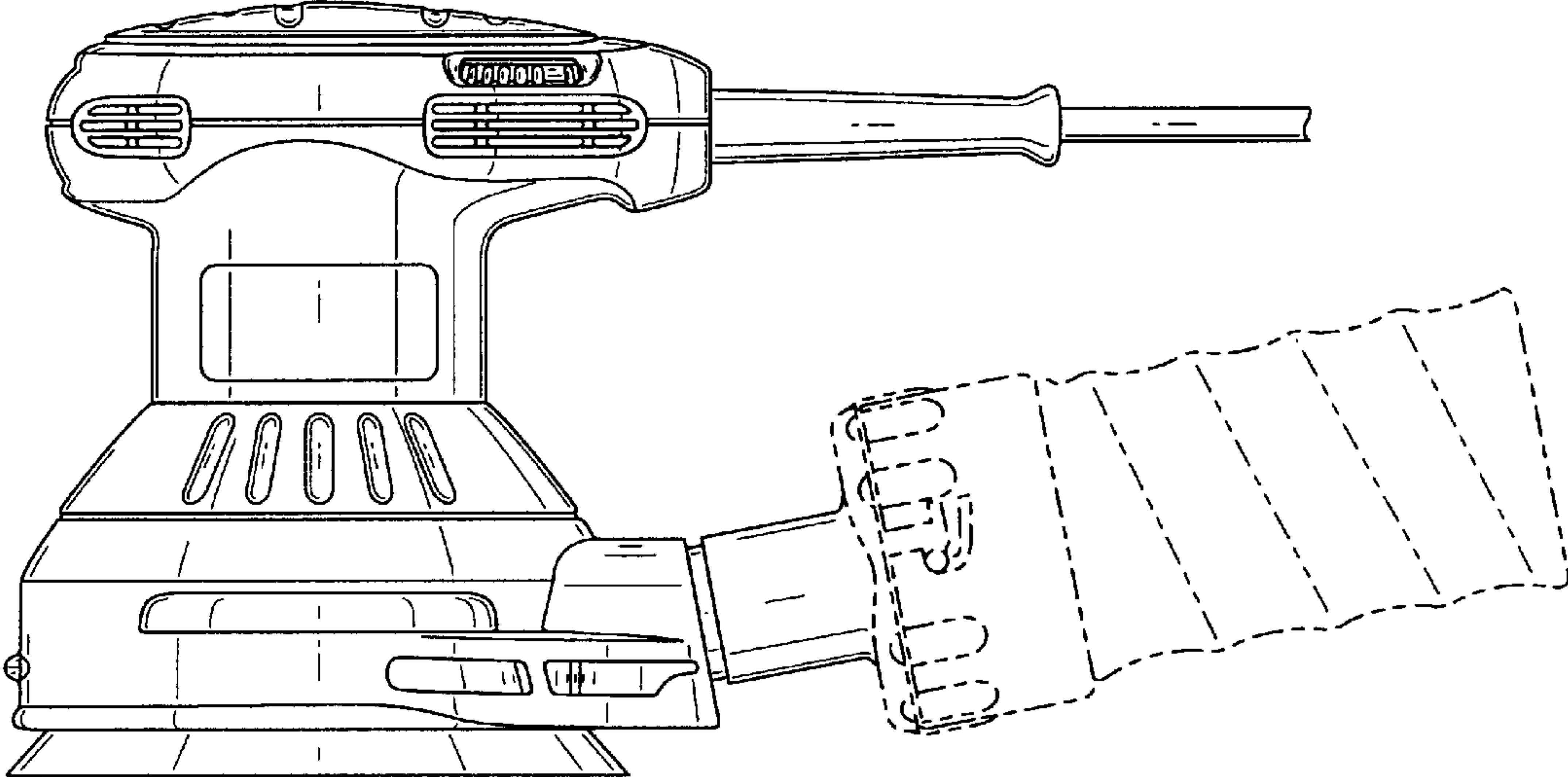


FIG. 5

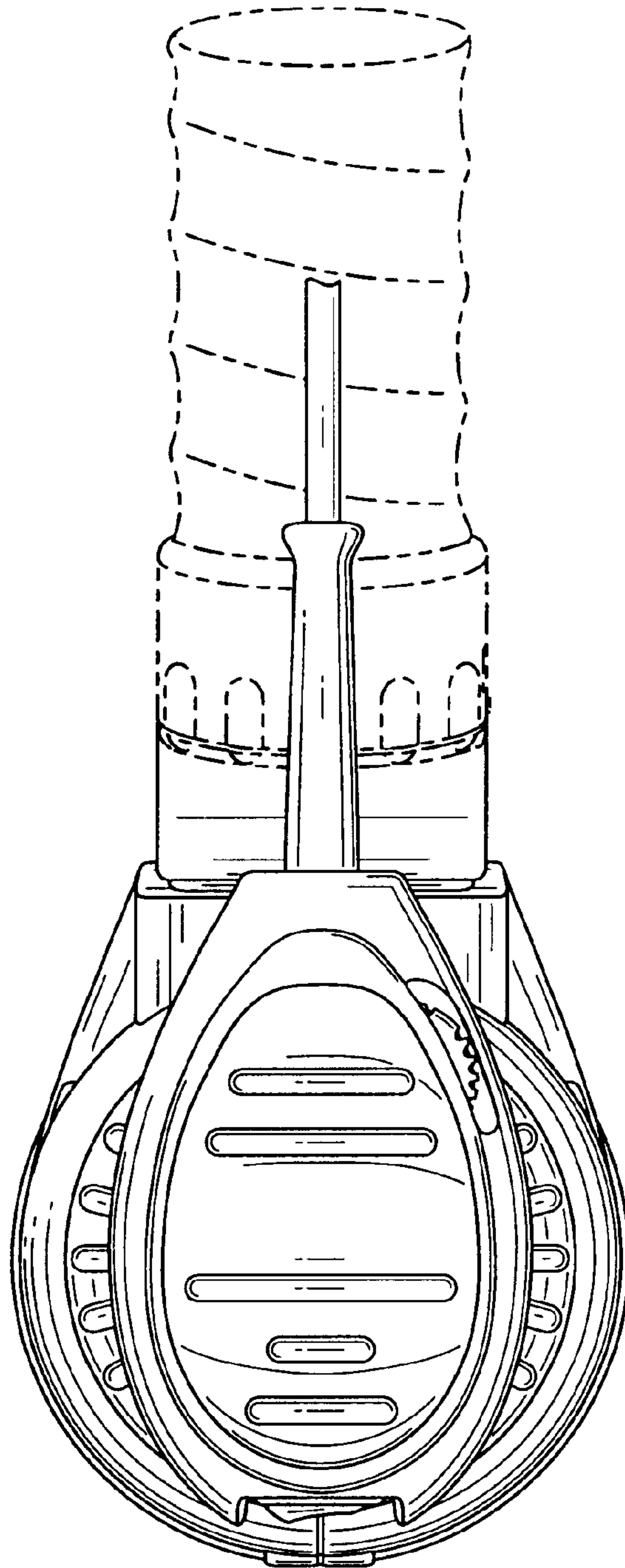


FIG. 6

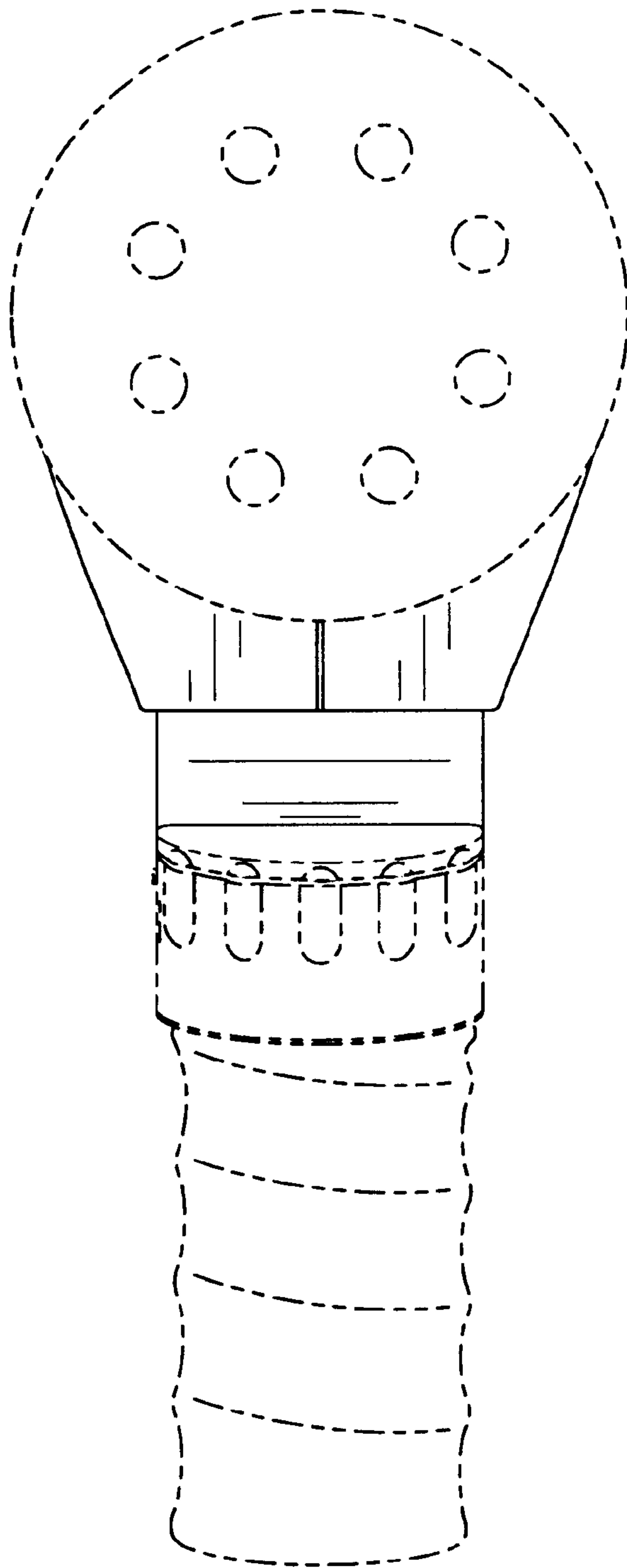


FIG. 7