

US00D509415S

(12) **United States Design Patent** (10) **Patent No.:** **US D509,415 S**  
**Crites et al.** (45) **Date of Patent:** **\*\* Sep. 13, 2005**

(54) **PICK-UP RAKE**

(76) Inventors: **Clark Crites**, 2622 Rinconia, Los Angeles, CA (US) 96068; **Dan Hurt**, 701 A. Jefferson Ave. SW., Watertown, NJ (US) 55388

(\*\*) **Term:** **14 Years**

(21) **Appl. No.:** **29/222,671**

(22) **Filed:** **Feb. 1, 2005**

**Related U.S. Application Data**

(63) Continuation of application No. 11/028,424, filed on Jan. 3, 2005.

(51) **LOC (8) Cl.** ..... **08-01**

(52) **U.S. Cl.** ..... **D8/13**

(58) **Field of Search** ..... D8/13; 56/400.01, 56/400.04, 400.07, 400.16, 400.12, 400.17, 400.21

(56) **References Cited**

**U.S. PATENT DOCUMENTS**

- 599,368 A 2/1898 Starkwether
- 603,071 A 4/1898 Ake
- 1,050,685 A 1/1913 Peacock
- 1,424,291 A 8/1922 Frank
- 1,715,613 A 6/1929 McFadden
- 2,504,943 A 4/1950 Zifferer
- 2,746,234 A 5/1956 Utley
- 3,095,682 A 7/1963 Pasquine
- 3,105,348 A 10/1963 Vosbikian et al.
- 3,264,809 A 8/1966 Jackson
- 3,601,966 A 8/1971 Kerry
- D225,958 S \* 1/1973 Gibbs ..... D8/13
- 3,733,636 A 5/1973 Osadsky
- 4,018,038 A 4/1977 Sipe
- 4,143,899 A 3/1979 Wetherall et al.
- 4,185,448 A 1/1980 Blanco
- 4,292,794 A 10/1981 Gascon
- D263,367 S \* 3/1982 Fodor et al. .... D8/13
- 4,378,671 A 4/1983 Gascon

- 4,545,189 A 10/1985 Nelson
- 4,730,864 A 3/1988 Sample
- 4,741,149 A 5/1988 vom Braucke et al.
- D296,510 S 7/1988 Cohen
- 4,930,824 A 6/1990 Matthews et al.
- D311,310 S \* 10/1990 Clivio ..... D8/13
- 5,022,221 A \* 6/1991 Bonnes et al. .... 56/400.17
- 5,058,370 A 10/1991 Russell
- 5,303,536 A 4/1994 Tolliver
- 5,513,883 A 5/1996 Segla
- 5,564,266 A 10/1996 Laughlin
- 5,765,351 A 6/1998 Frankhouser
- 6,151,878 A 11/2000 Kalavitis
- 6,502,381 B2 1/2003 Crites
- D474,948 S \* 5/2003 Crites ..... D8/13

**FOREIGN PATENT DOCUMENTS**

- WO WO 94/07353 4/1994
- WO WO 95/31890 11/1995
- WO WO 00/57687 10/2000

\* cited by examiner

*Primary Examiner*—Holly Baynham

(74) *Attorney, Agent, or Firm*—Eric Karich

(57) **CLAIM**

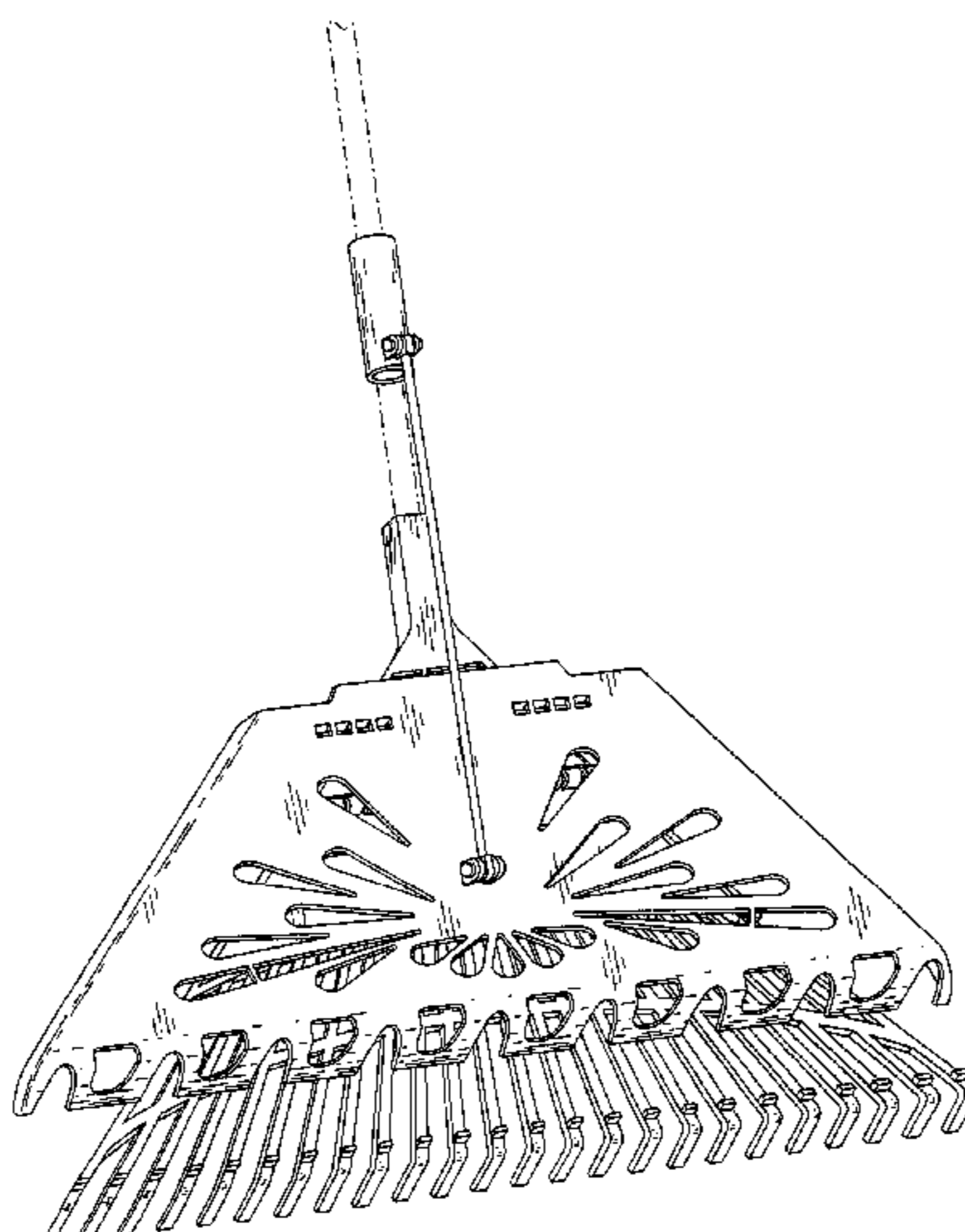
The ornamental design for a “pick-up rake,” as shown and described.

**DESCRIPTION**

FIG. 1 is a perspective view of a pick-up rake, showing my new design;  
 FIG. 2 is a front elevational view thereof;  
 FIG. 3 is a rear elevational view thereof;  
 FIG. 4 is a right side elevational view thereof, the left side elevational view being a mirror image thereof;  
 FIG. 5 is a top plan view thereof; and,  
 FIG. 6 is a bottom plan view thereof.

The broken line showing of a partial rake shaft is for illustrative purposes only and forms no part of the claimed design.

**1 Claim, 5 Drawing Sheets**



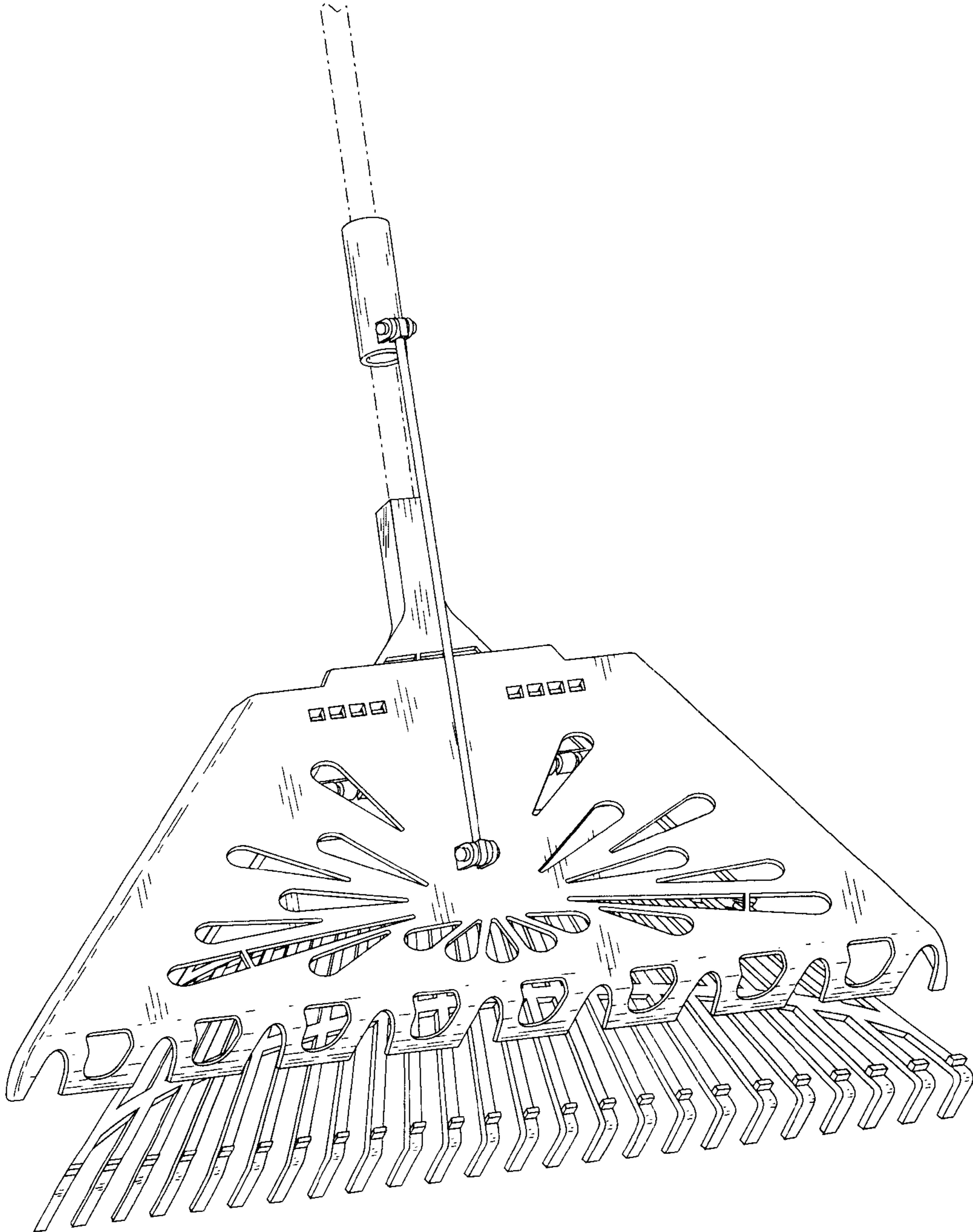


Fig. 1

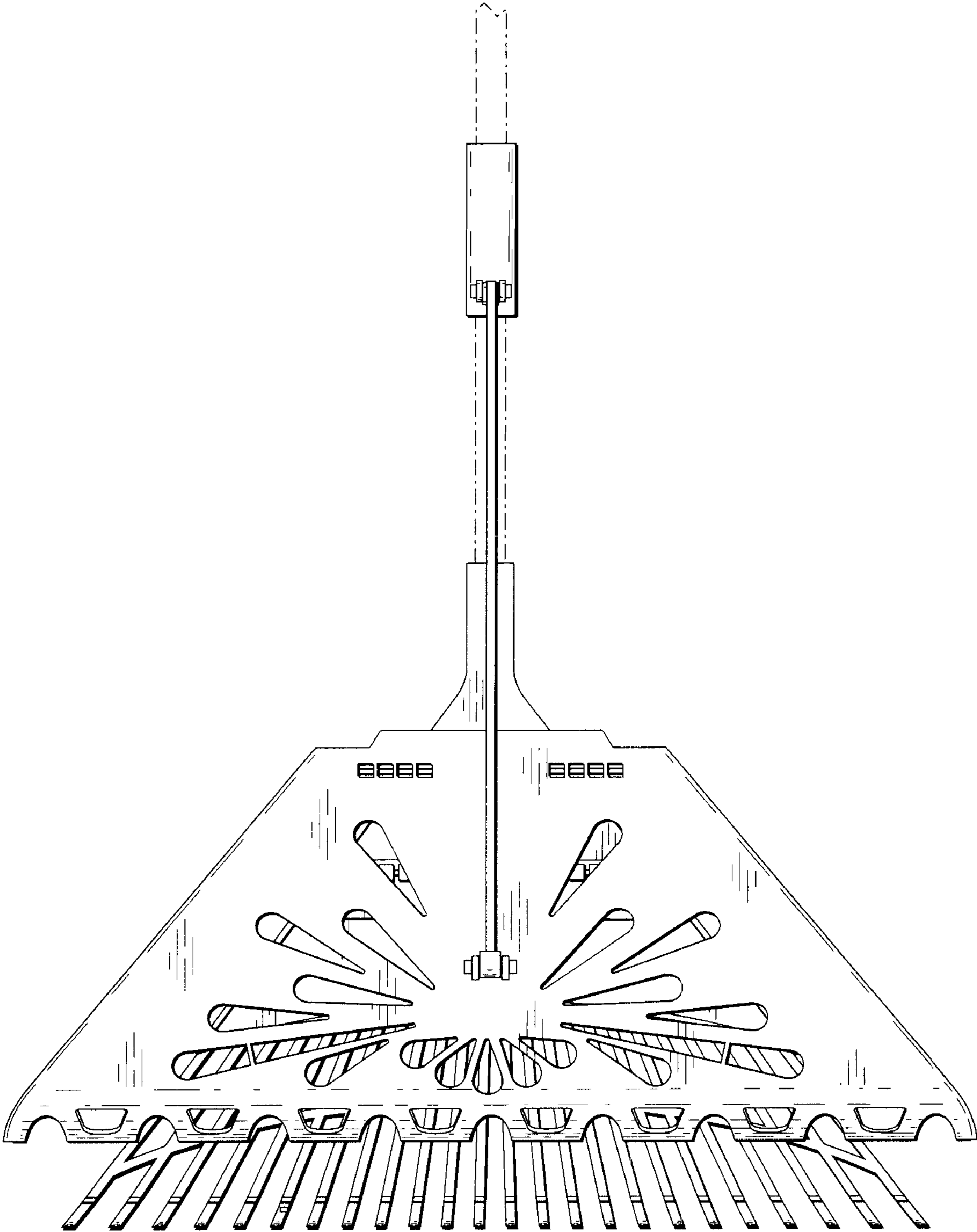
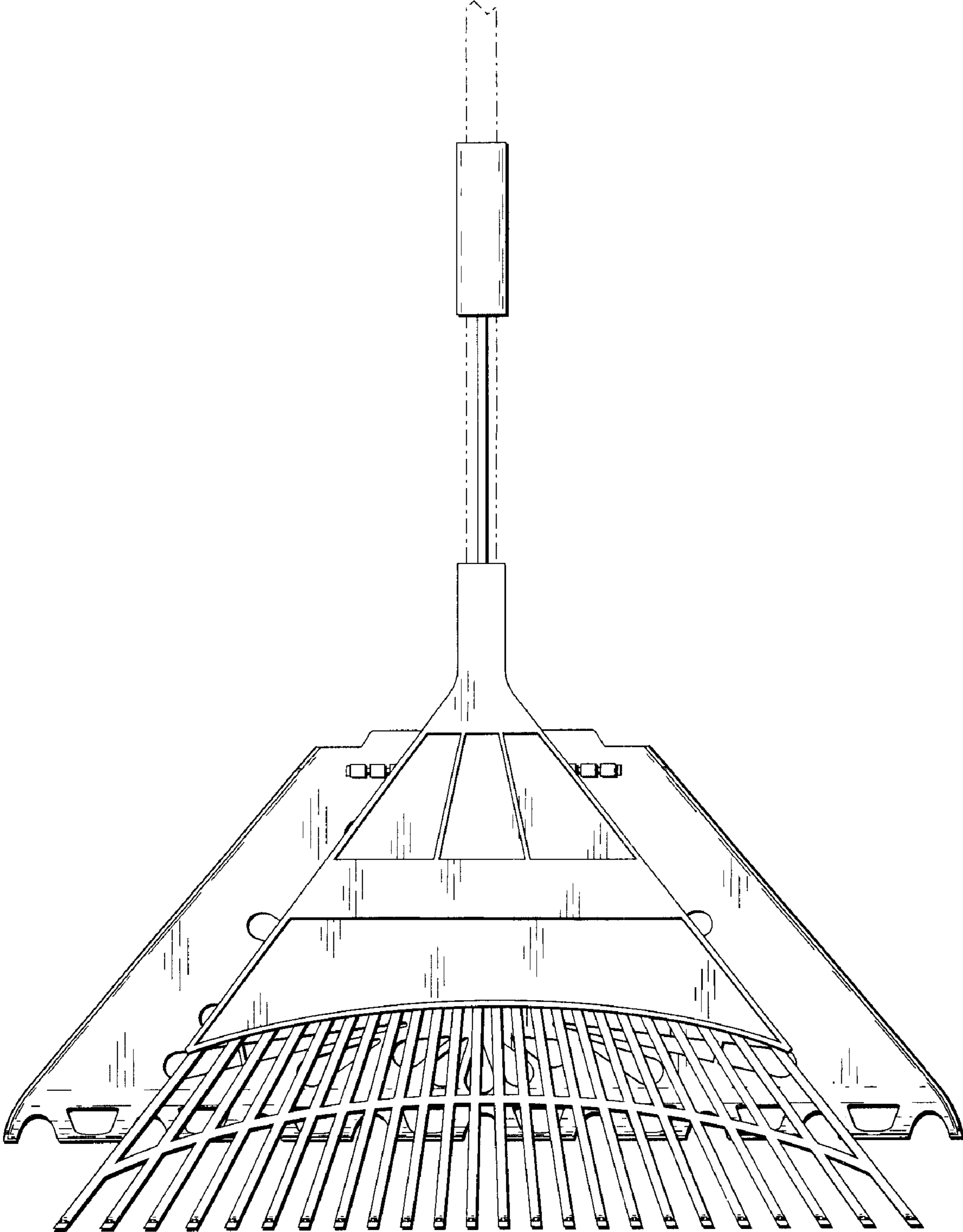
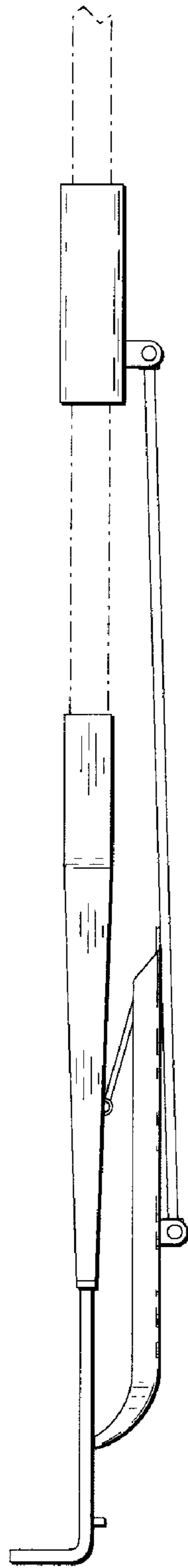


Fig. 2

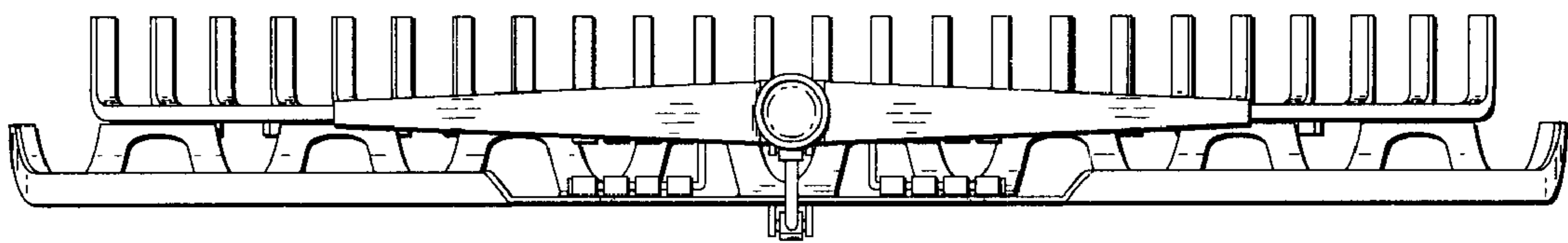


*Fig. 3*

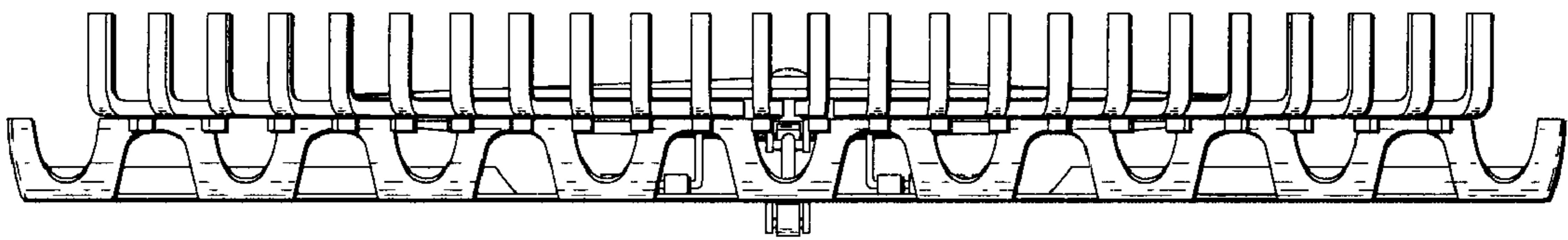




*Fig. 4*



*Fig. 5*



*Fig. 6*