

US00D509412S

(12) **United States Design Patent**
Lee

(10) **Patent No.: US D509,412 S**
(45) **Date of Patent: ** Sep. 13, 2005**

(54) **NUTCRACKER**

D454,036 S * 3/2002 Tse D7/680
D461,377 S * 8/2002 Law D7/680

(75) Inventor: **Shek Tang Lee, Tsuen Wan (HK)**

* cited by examiner

(73) Assignee: **Best Luck Technology Development Limited, Hong Kong (HK)**

Primary Examiner—Terry A. Wallace
(74) *Attorney, Agent, or Firm*—Egbert Law Office

(**) Term: **14 Years**

(57) **CLAIM**

(21) Appl. No.: **29/209,041**

I claim the ornamental design for a nutcracker, as shown and described.

(22) Filed: **Jul. 9, 2004**

(30) **Foreign Application Priority Data**

Jan. 14, 2004 (HK) 0410116

DESCRIPTION

(51) **LOC (8) Cl.** **07-06**

FIG. 1 is a side view of the nutcracker showing my design.

(52) **U.S. Cl.** **D7/680**

FIG. 2 is a top plan view thereof;

(58) **Field of Search** D7/680, 686, 687,

FIG. 3 is a bottom view thereof;

D7/665, 666; D8/57; 30/120.1–120.5; 99/568–582;
100/234

FIG. 4 is an end view thereof;

FIG. 5 is an opposite end view thereof;

FIG. 6 is an opposite side view thereof; and,

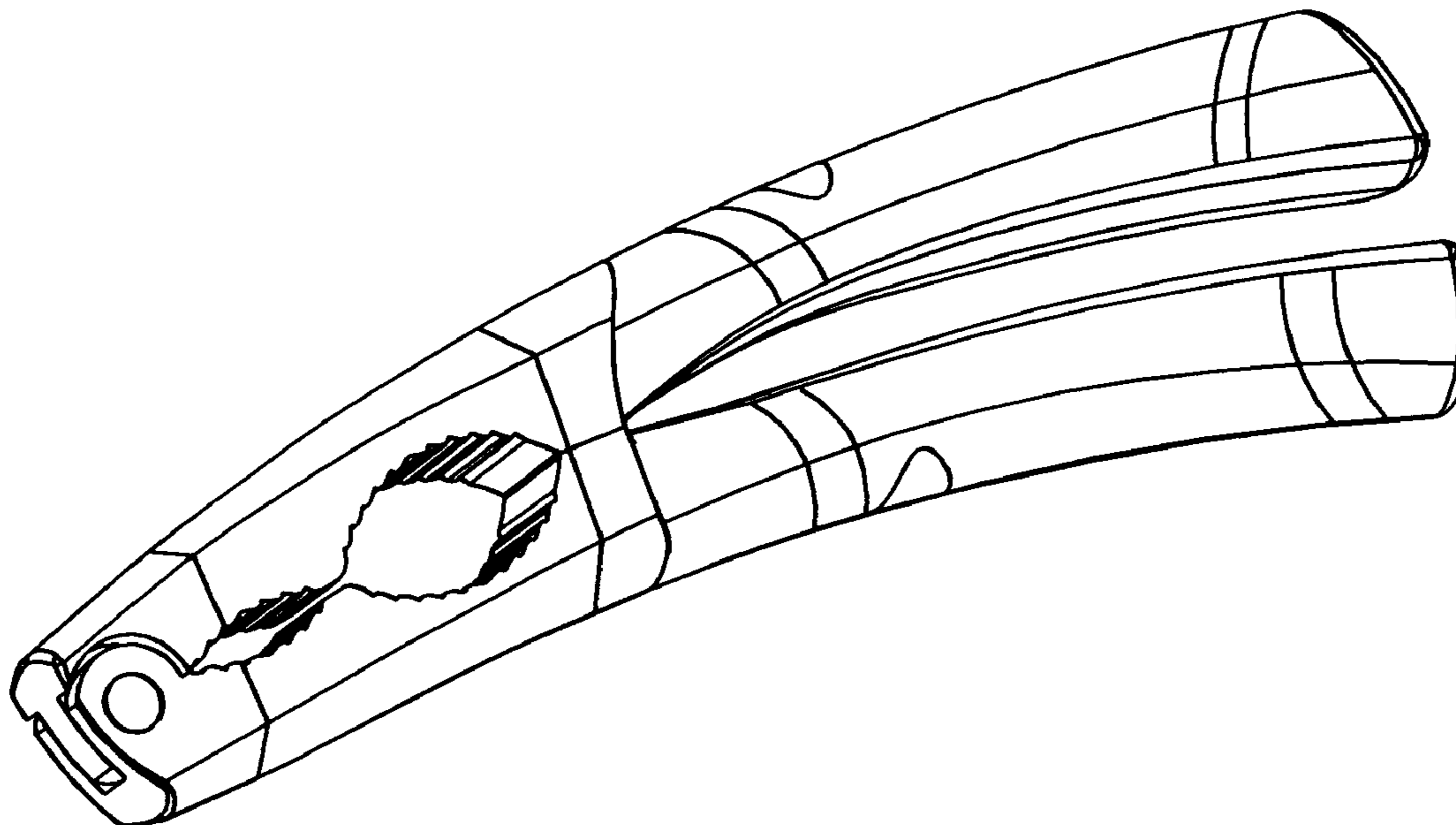
FIG. 7 is a perspective view thereof.

(56) **References Cited**

U.S. PATENT DOCUMENTS

508,355 A * 11/1893 Streeter 30/120.3

1 Claim, 7 Drawing Sheets



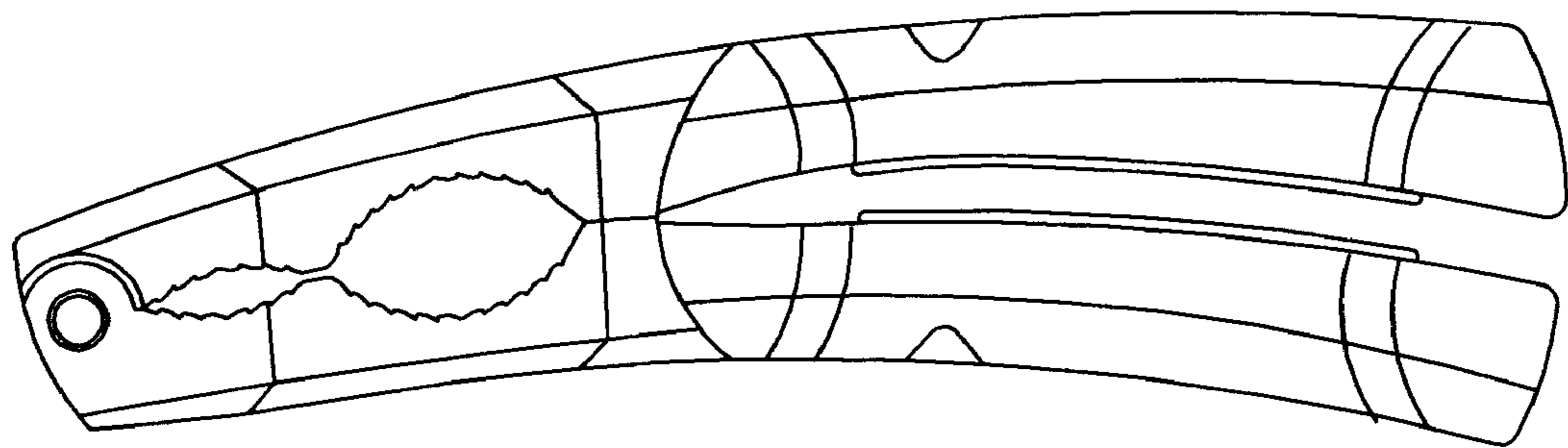


FIG. 1

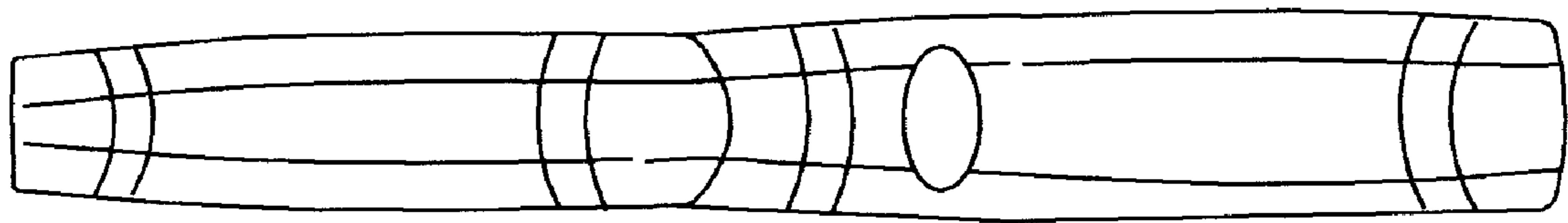


FIG. 2

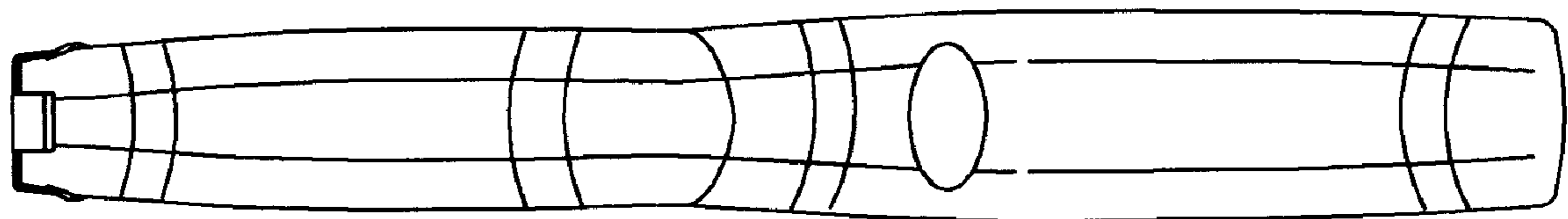


FIG. 3

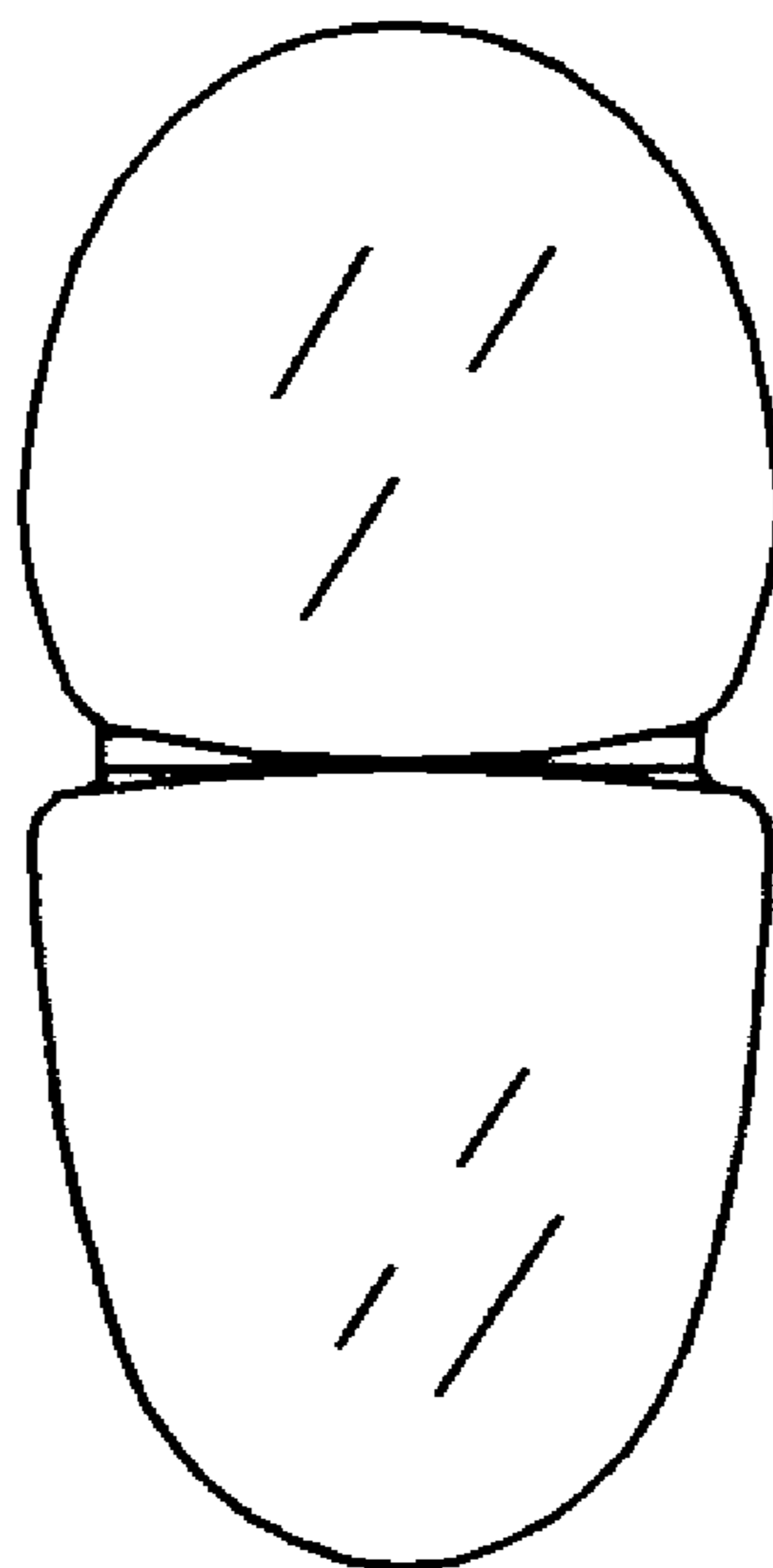


FIG. 4

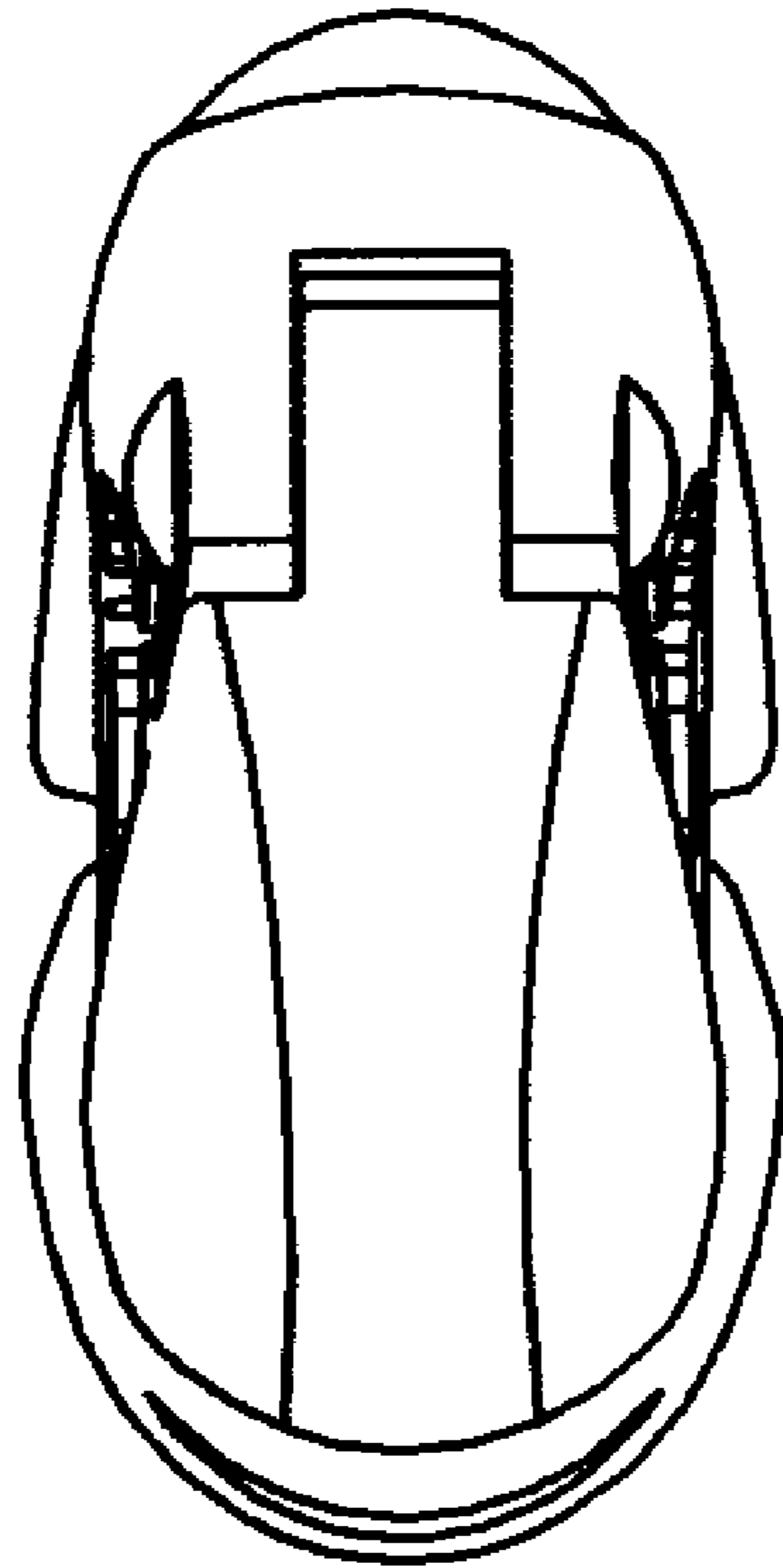


FIG. 5

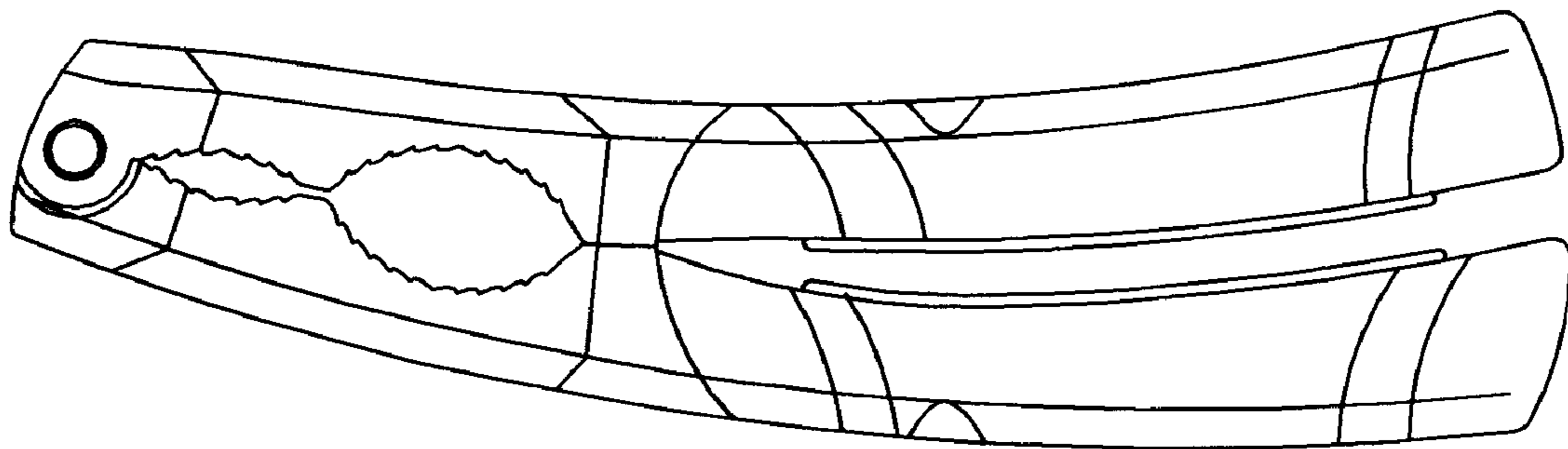


FIG. 6

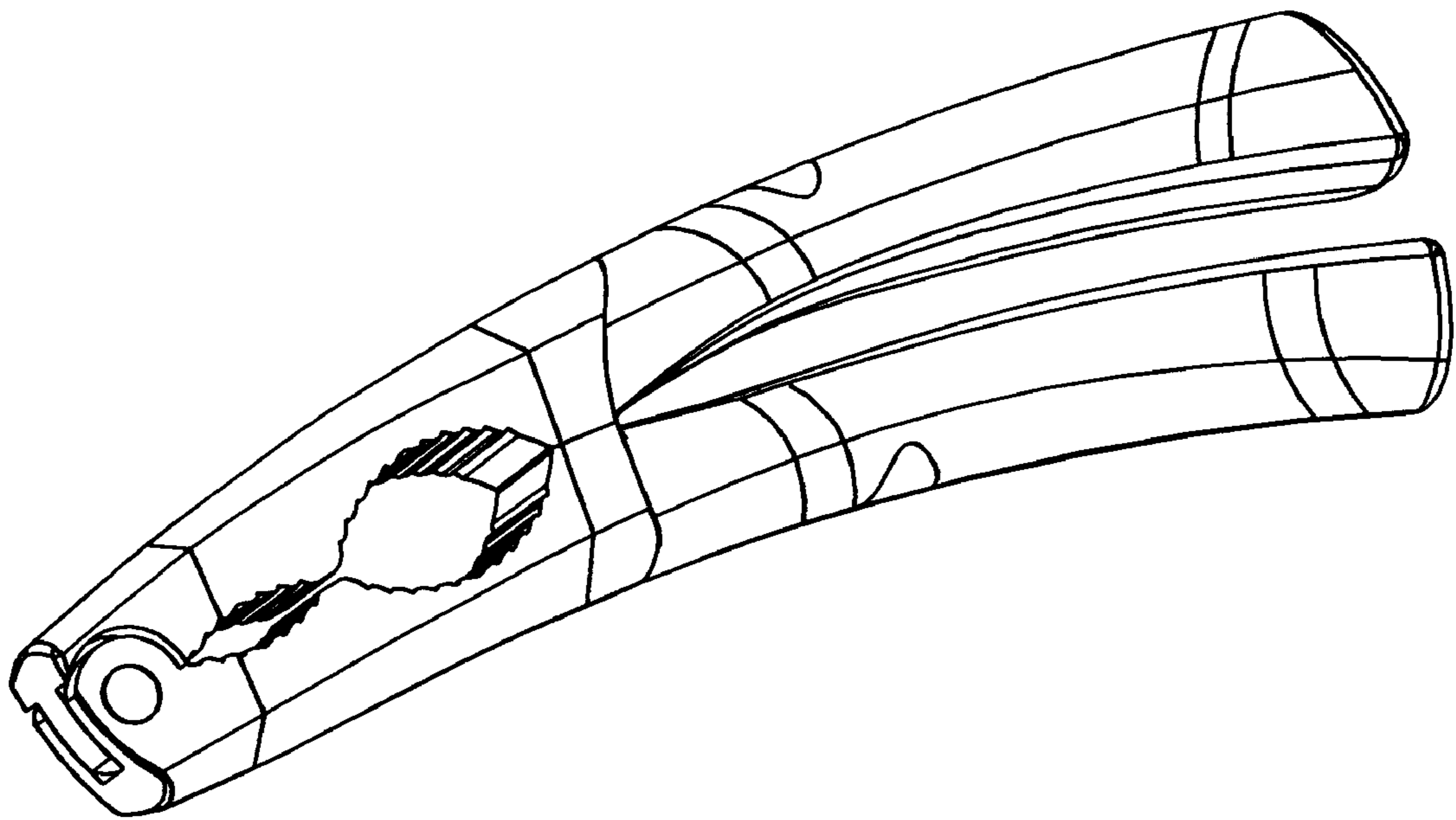


FIG. 7