

US00D509408S

(12) **United States Design Patent**  
Ward et al.

(10) **Patent No.:** US D509,408 S  
(45) **Date of Patent:** \*\* Sep. 13, 2005

(54) **CONTAINER**

(75) Inventors: **Evan T. Ward**, Chicago, IL (US);  
**Donald J. Nole**, Chicago, IL (US)

(73) Assignee: **Ignite Design LLC**, Chicago, IL (US)

(\*\*) Term: **14 Years**

(21) Appl. No.: **29/189,218**

(22) Filed: **Aug. 29, 2003**

(51) **LOC (8) Cl.** ..... **07-01**

(52) **U.S. Cl.** ..... **D7/523; D7/536; D7/510**

(58) **Field of Search** ..... D7/510, 511, 530,  
D7/531, 523, 536, 396.2, 533; D9/563,  
564, 549, 537, 500, 502, 513, 511, 530;  
220/592.2, 23.83, 769, 710; 215/12.1, 13.1,  
388

(56) **References Cited**

**U.S. PATENT DOCUMENTS**

|             |           |             |              |
|-------------|-----------|-------------|--------------|
| D179,880 S  | 3/1957    | Bramming    |              |
| 4,488,660 A | 12/1984   | Murakami    |              |
| D286,967 S  | 12/1986   | Appel       |              |
| D332,373 S  | * 1/1993  | Kahl        | ..... D7/510 |
| D362,156 S  | * 9/1995  | Goto et al. | ..... D7/511 |
| D368,629 S  | 4/1996    | Verbovszky  |              |
| 5,518,143 A | 5/1996    | Iodice      |              |
| D371,936 S  | * 7/1996  | Goto et al. | ..... D7/523 |
| 5,875,941 A | 3/1999    | Hsu         |              |
| D408,689 S  | 4/1999    | Kato        |              |
| D417,590 S  | 12/1999   | Kato        |              |
| D422,179 S  | * 4/2000  | Stephenson  | ..... D7/510 |
| D425,758 S  | 5/2000    | Freed       |              |
| 6,119,888 A | 9/2000    | Goto et al. |              |
| D435,195 S  | * 12/2000 | Joergensen  | ..... D7/536 |
| D438,757 S  | * 3/2001  | Joergensen  | ..... D7/510 |

|              |           |               |              |
|--------------|-----------|---------------|--------------|
| D443,796 S   | * 6/2001  | Lin           | ..... D7/510 |
| D454,471 S   | 3/2002    | Goto et al.   |              |
| D457,034 S   | * 5/2002  | Bodum         | ..... D7/510 |
| D457,783 S   | * 5/2002  | Bodum         | ..... D7/511 |
| 6,401,964 B1 | 6/2002    | Goto et al.   |              |
| D464,849 S   | * 10/2002 | Norris et al. | ..... D7/523 |
| D475,891 S   | * 6/2003  | Bin           | ..... D7/510 |
| D479,437 S   | * 9/2003  | Gluck         | ..... D7/523 |
| D482,933 S   | * 12/2003 | Norris et al. | ..... D7/533 |
| D492,157 S   | * 6/2004  | Bodum         | ..... D7/510 |

\* cited by examiner

*Primary Examiner*—M. N. Pandozzi

(74) *Attorney, Agent, or Firm*—Olson & Hierl, Ltd.

(57) **CLAIM**

The ornamental design for a container, as shown.

**DESCRIPTION**

FIG. 1 is a perspective view of a container showing our new design;

FIG. 2 is a side elevational view of one side of the FIG. 1 design, the lid and the handle being shown in phantom;

FIG. 3 is a side elevational view of the opposite side of the FIG. 1 design, the lid and the handle being shown in phantom;

FIG. 4 is a top plan view of the FIG. 1 design, the handle being shown in phantom;

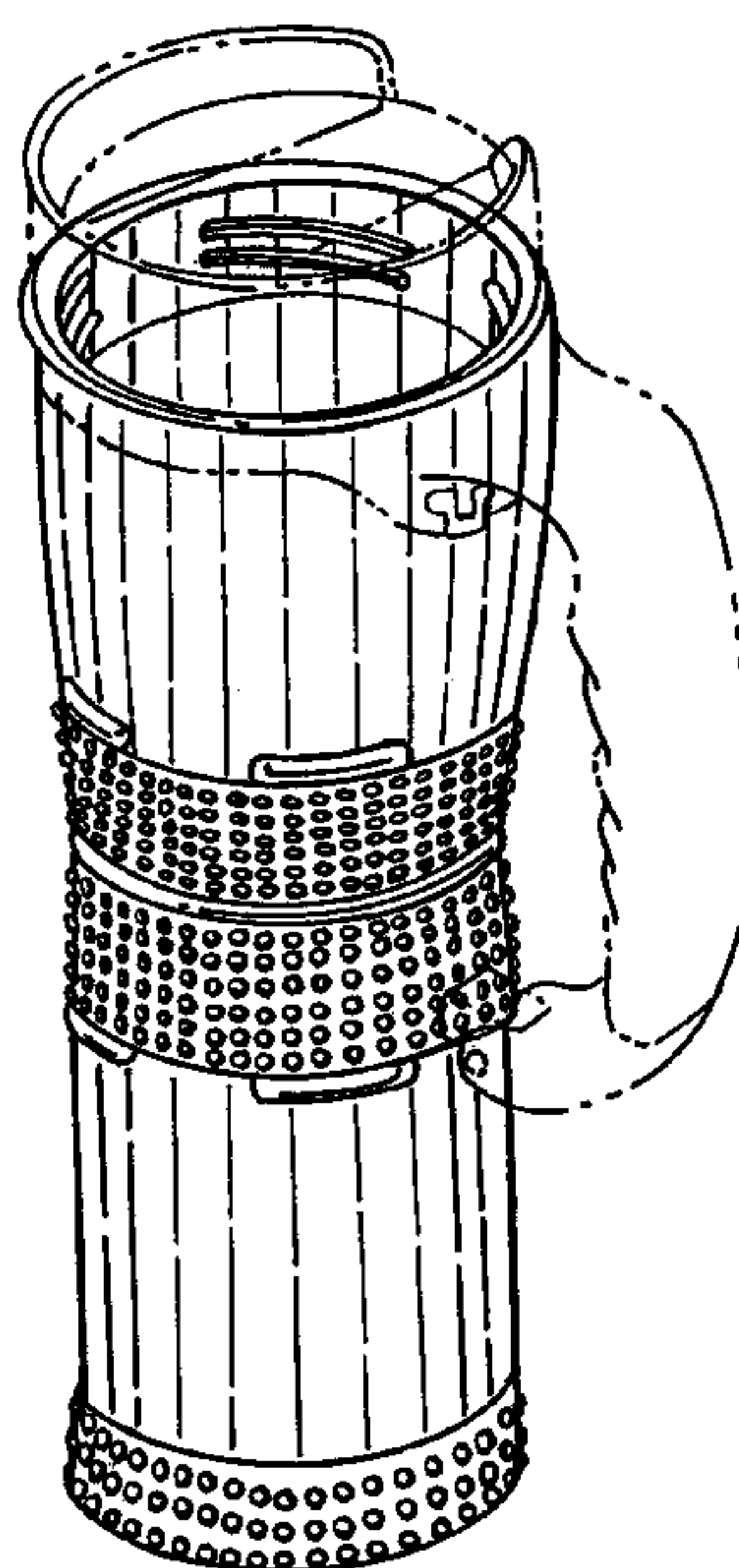
FIG. 5 is a bottom plan view of the FIG. 1 design, the handle being shown in phantom;

FIG. 6 is a back end elevational view of the FIG. 1 design, the lid being shown in phantom; and,

FIG. 7 is a front end elevational view of the FIG. 1 design, the lid and the handle being shown in phantom.

The broken lines in the drawings are for illustrative purposes only and form no part of the claimed design.

**1 Claim, 2 Drawing Sheets**



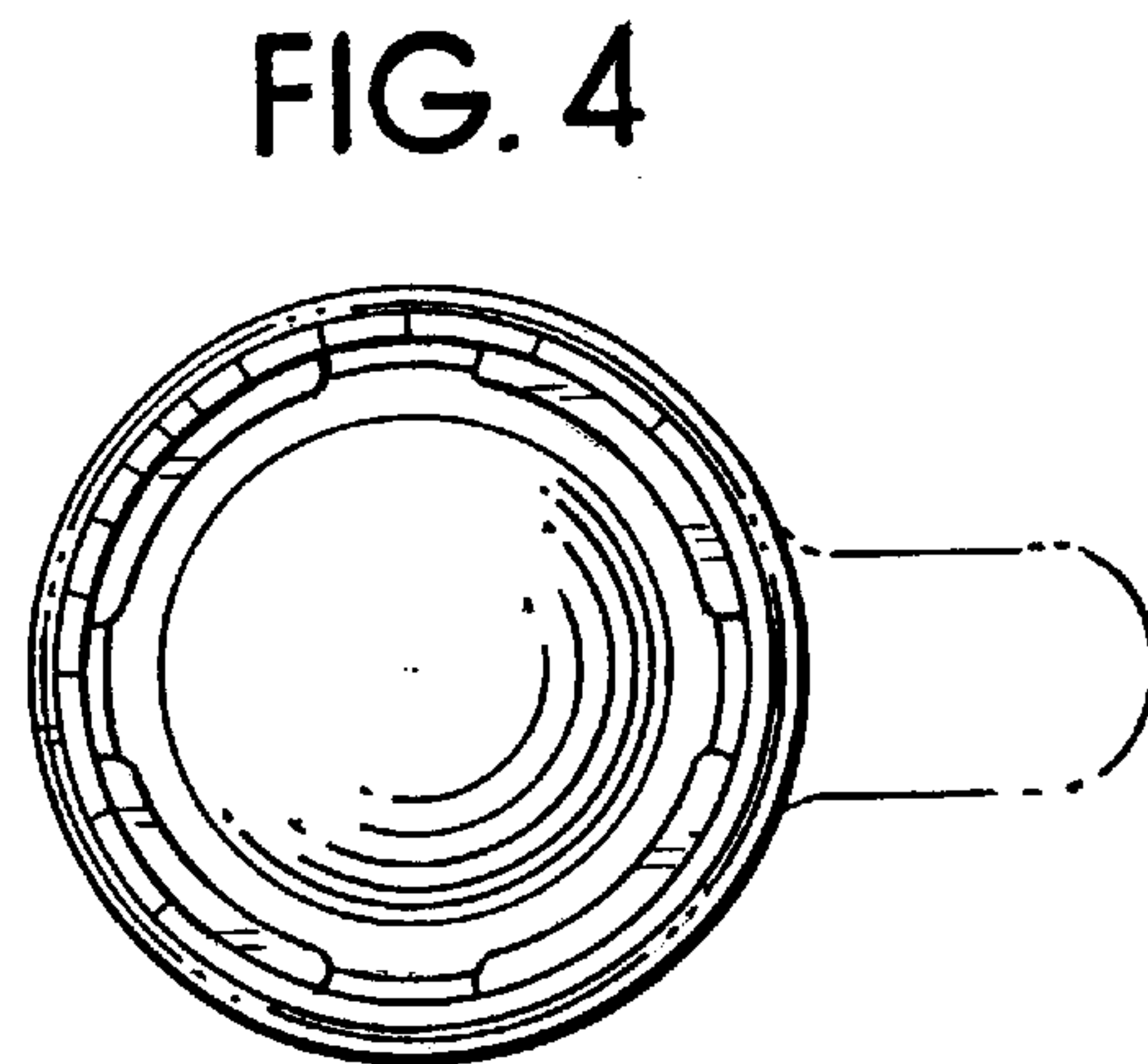
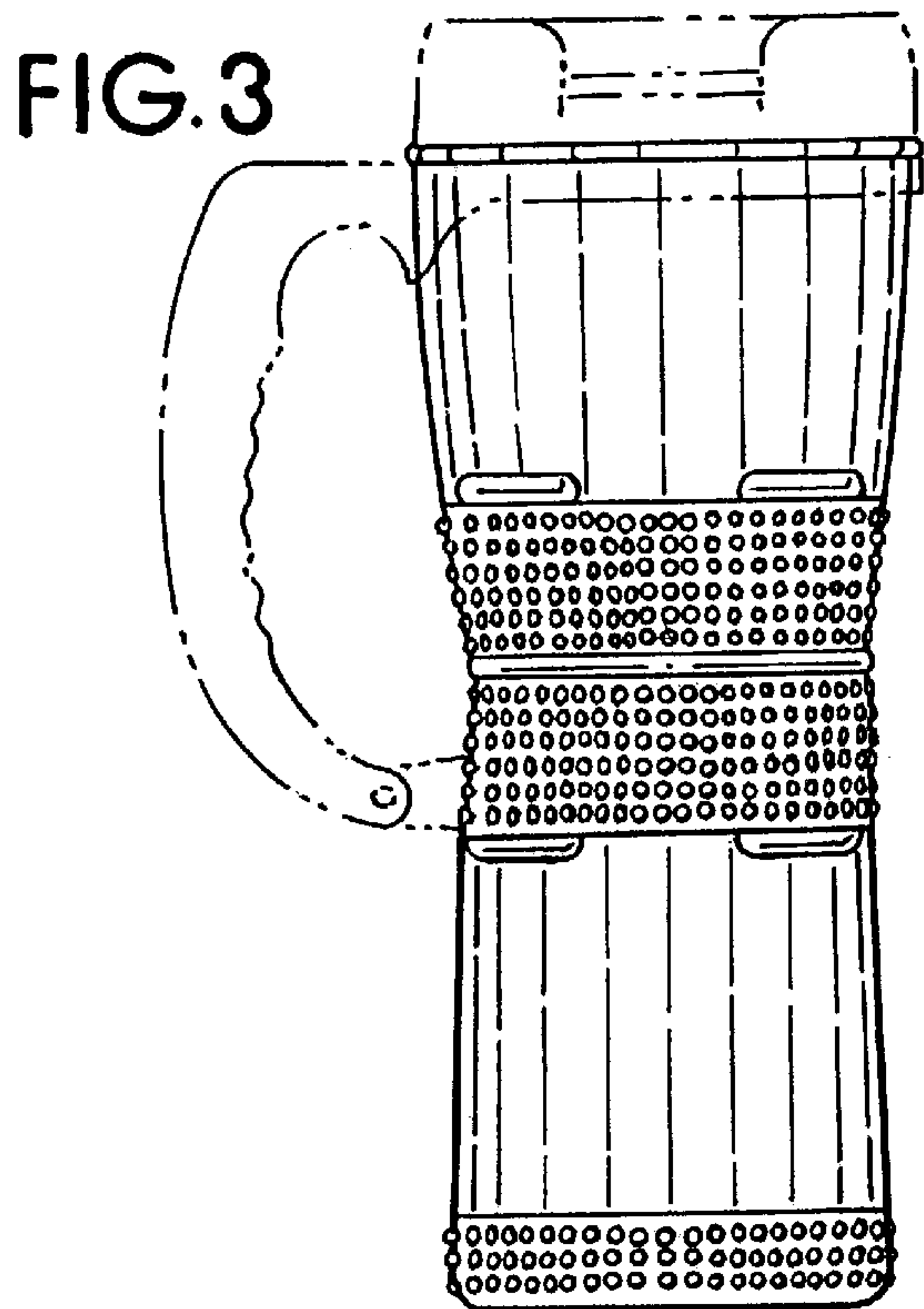
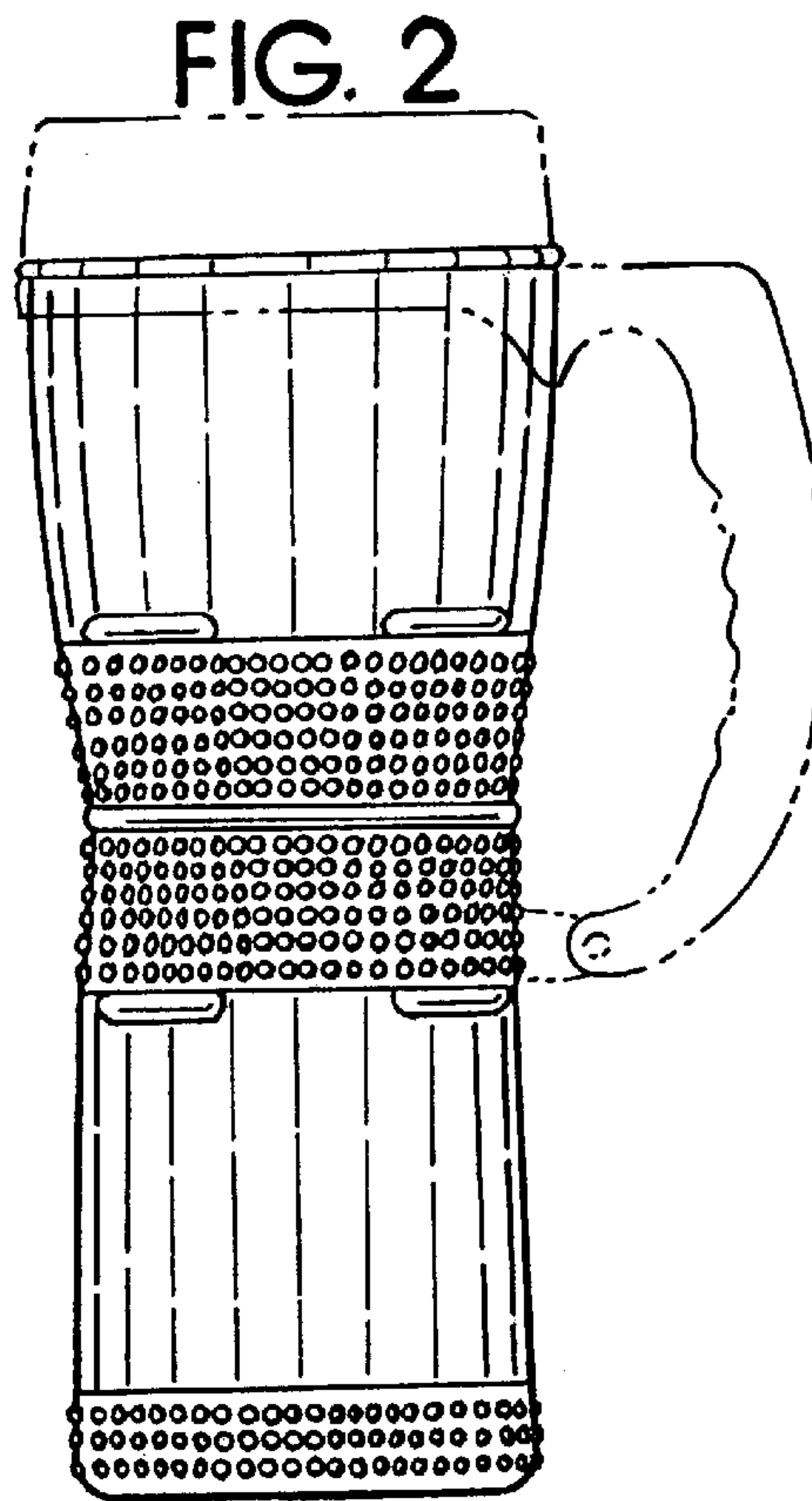
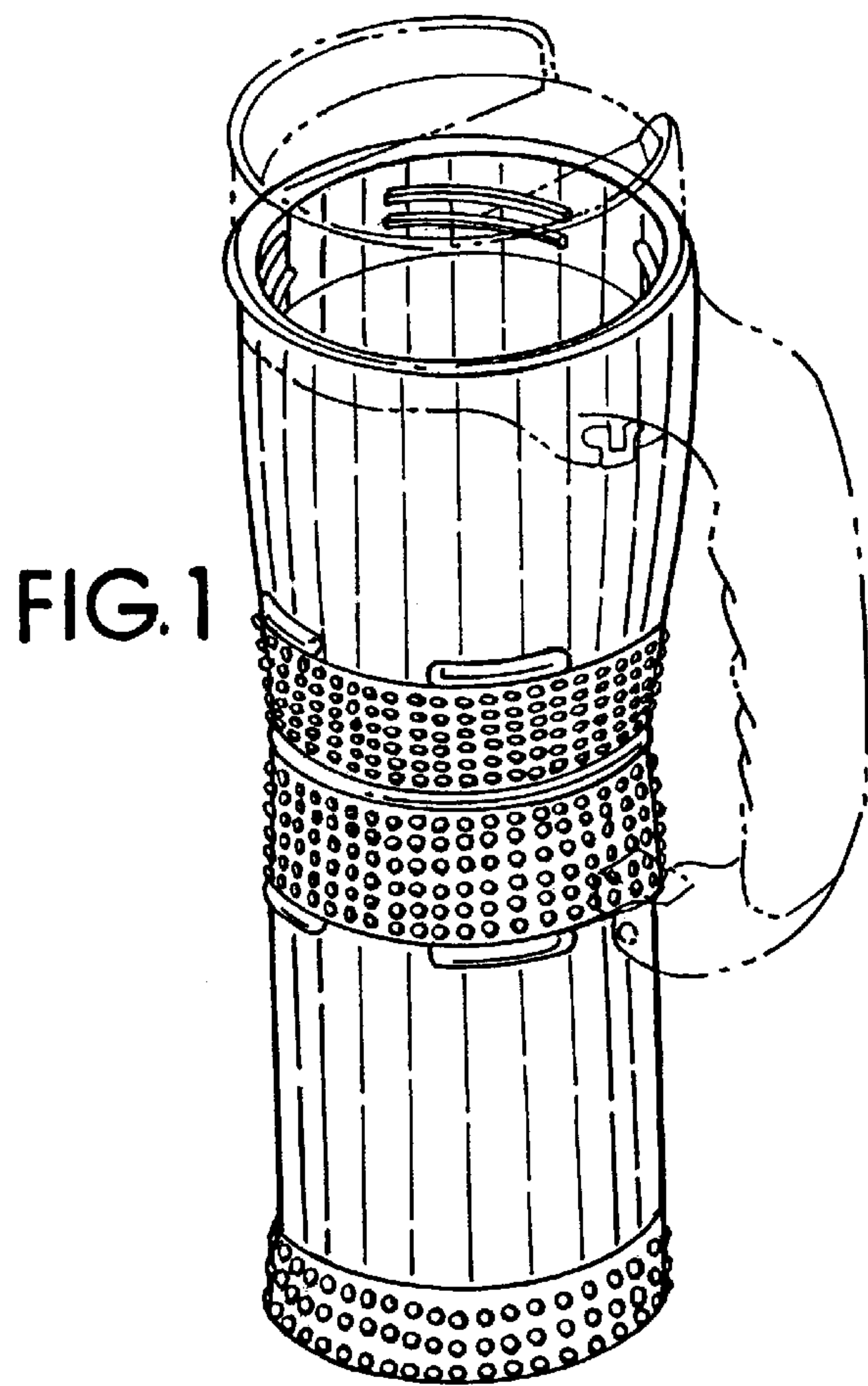


FIG. 5

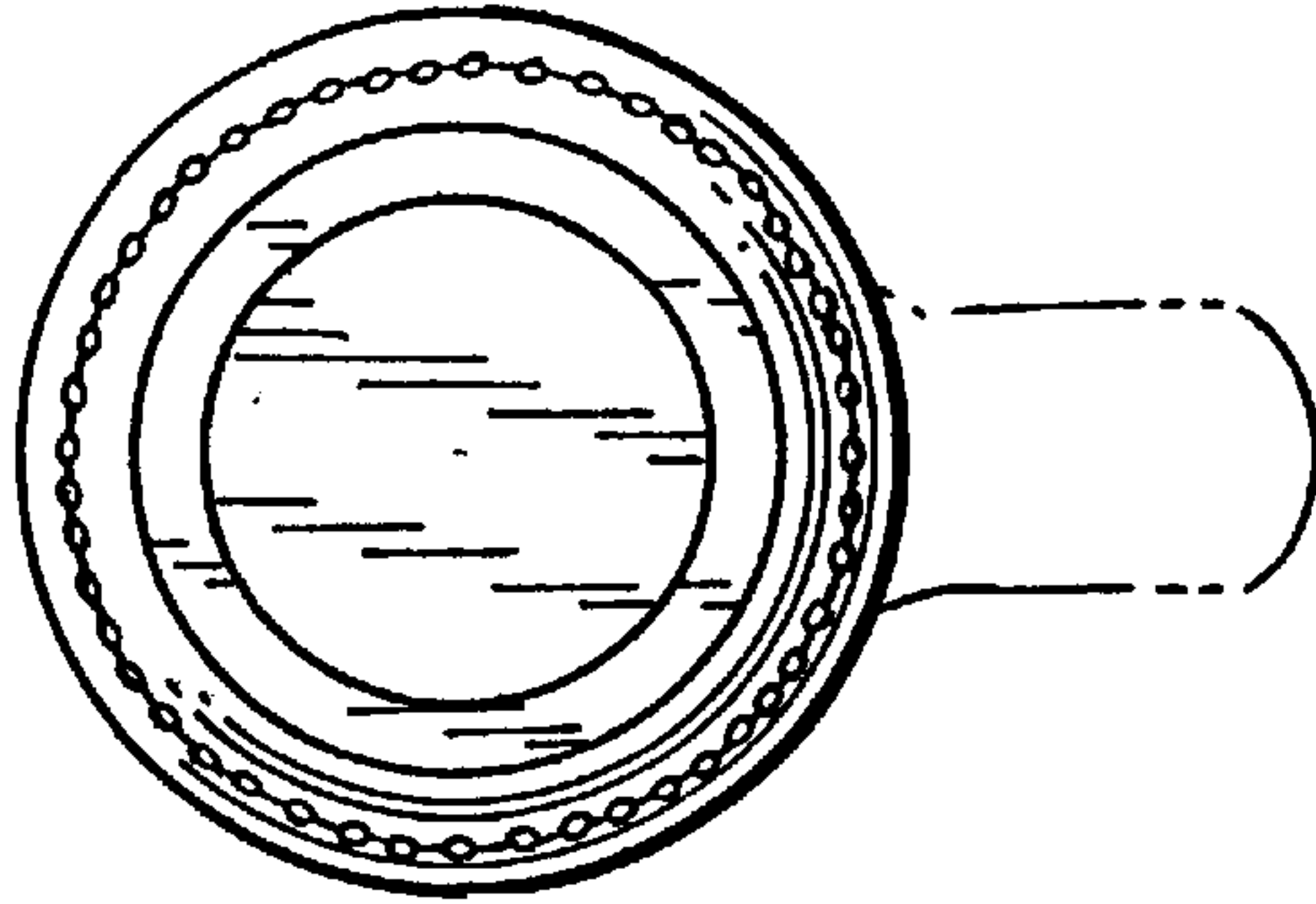


FIG. 6

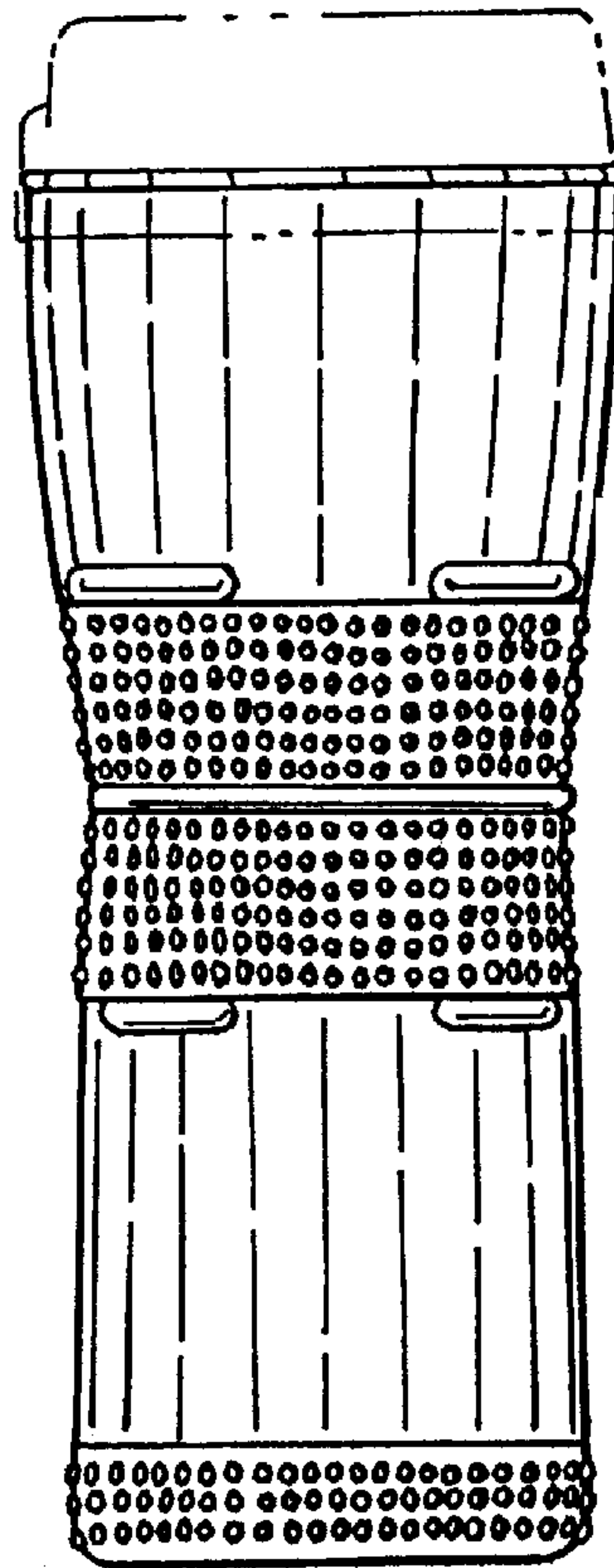


FIG. 7

