

US00D509407S

(12) **United States Design Patent**
Fife

(10) **Patent No.:** **US D509,407 S**

(45) **Date of Patent:** **** Sep. 13, 2005**

(54) **ROUND TACO DISH**

D363,413 S * 10/1995 Smith D7/504
D374,151 S * 10/1996 Malvasio D7/504

(75) **Inventor:** **Christopher G. Fife**, 2723 S. Queen St., Suite 94, York, PA (US) 17403

* cited by examiner

(73) **Assignee:** **Christopher G. Fife**, York, PA (US)

Primary Examiner—Terry A. Wallace
(74) *Attorney, Agent, or Firm*—Varndell & Varndell

(**) **Term:** **14 Years**

(57) **CLAIM**

(21) **Appl. No.:** **29/208,013**

The ornamental design for a round taco dish, as shown.

(22) **Filed:** **Jun. 24, 2004**

DESCRIPTION

(51) **LOC (8) Cl.** **07-01**

(52) **U.S. Cl.** **D7/504; D7/555**

(58) **Field of Search** D7/504, 550.1, D7/553.1-557; 211/10, 11, 13.1, 60.1, 70.1; 220/574-575; 248/174, 176.1; 99/426; 206/562-564

FIG. 1 is a side perspective view of a round taco dish showing my new design;

FIG. 2 is a top elevational view thereof;

FIG. 3 is a front elevational view thereof;

FIG. 4 is a side elevational view thereof; and,

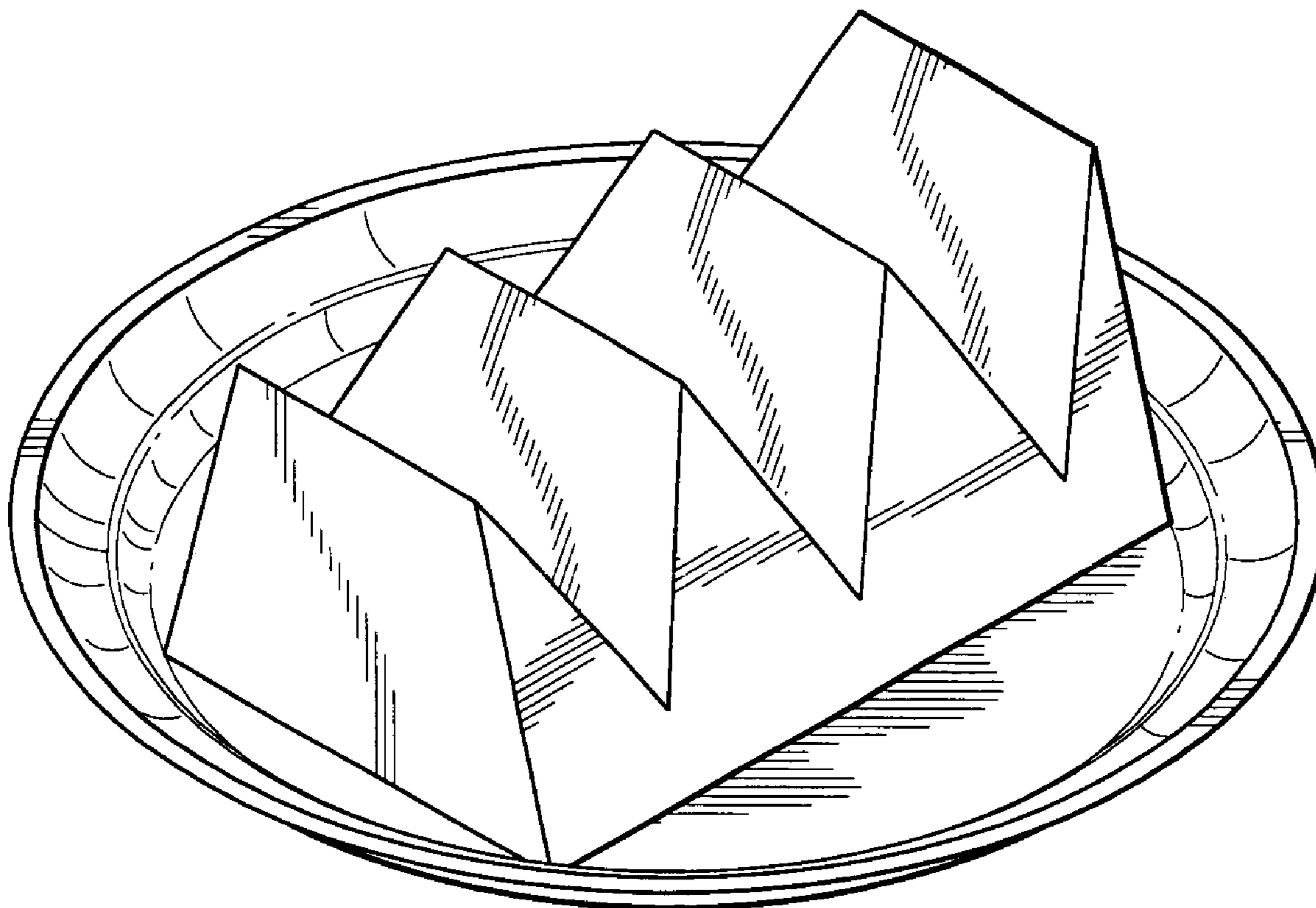
FIG. 5 is a bottom elevational view thereof.

(56) **References Cited**

U.S. PATENT DOCUMENTS

D266,816 S * 11/1982 Schupp D7/555

1 Claim, 2 Drawing Sheets



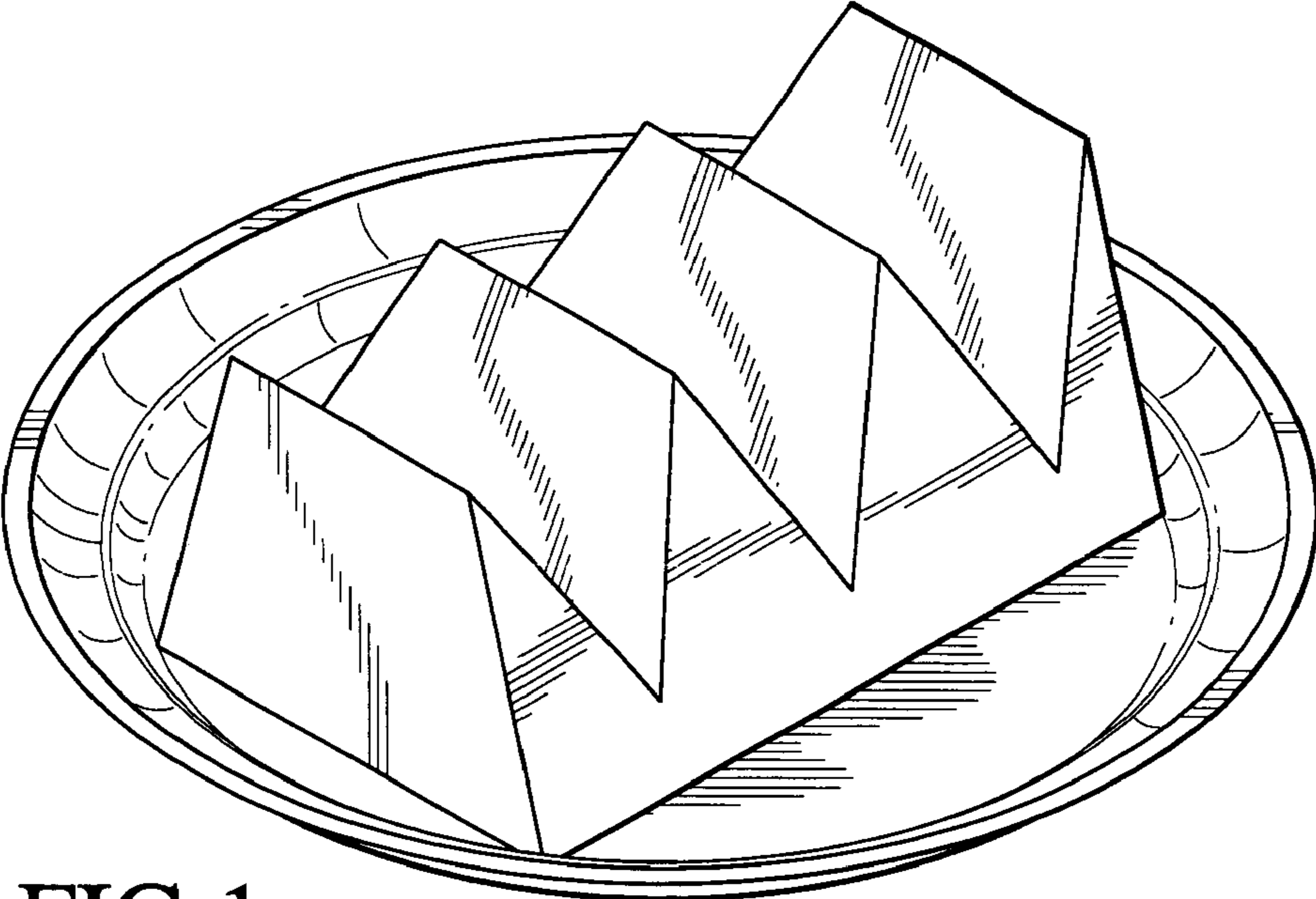


FIG. 1

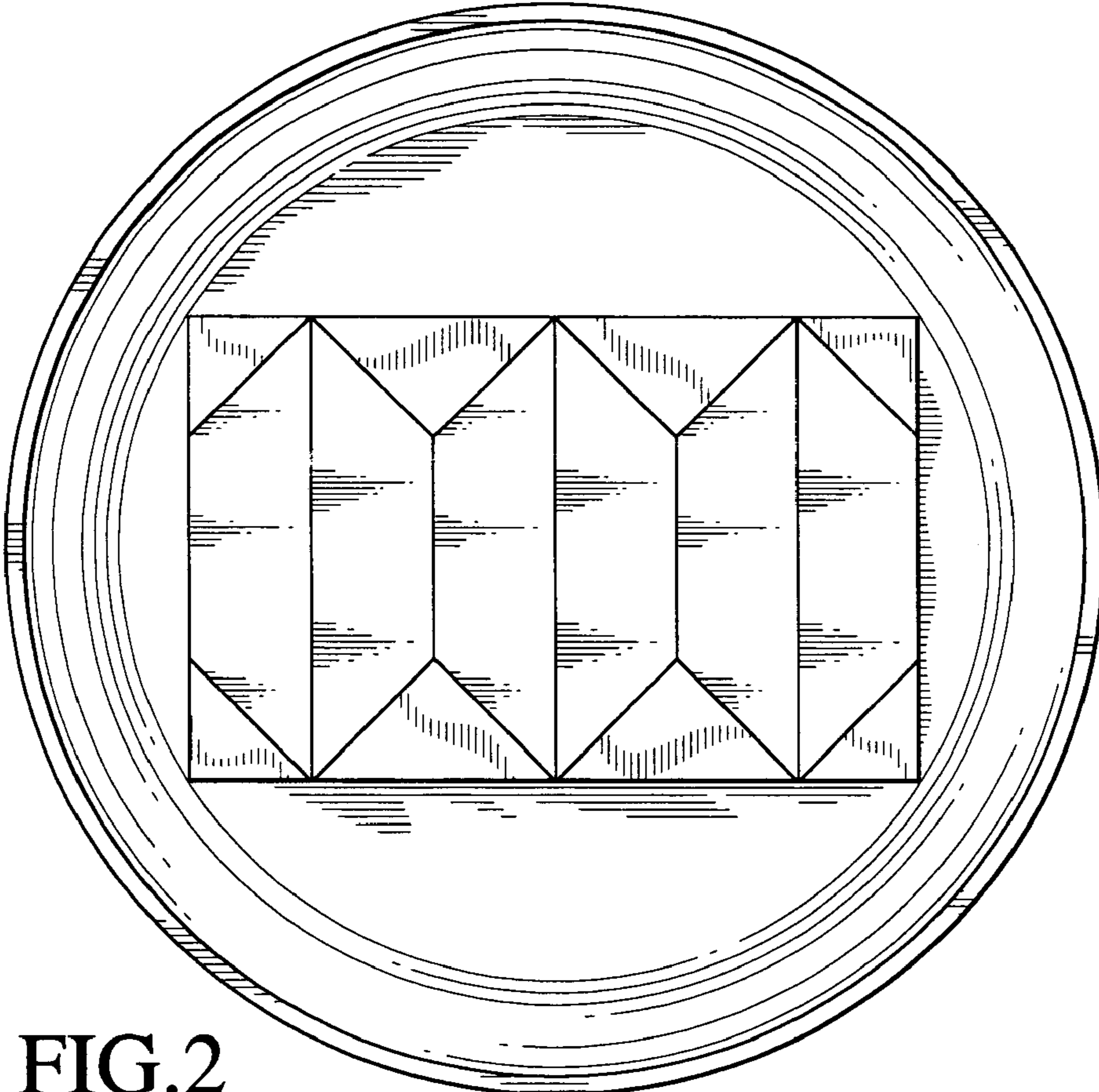


FIG. 2

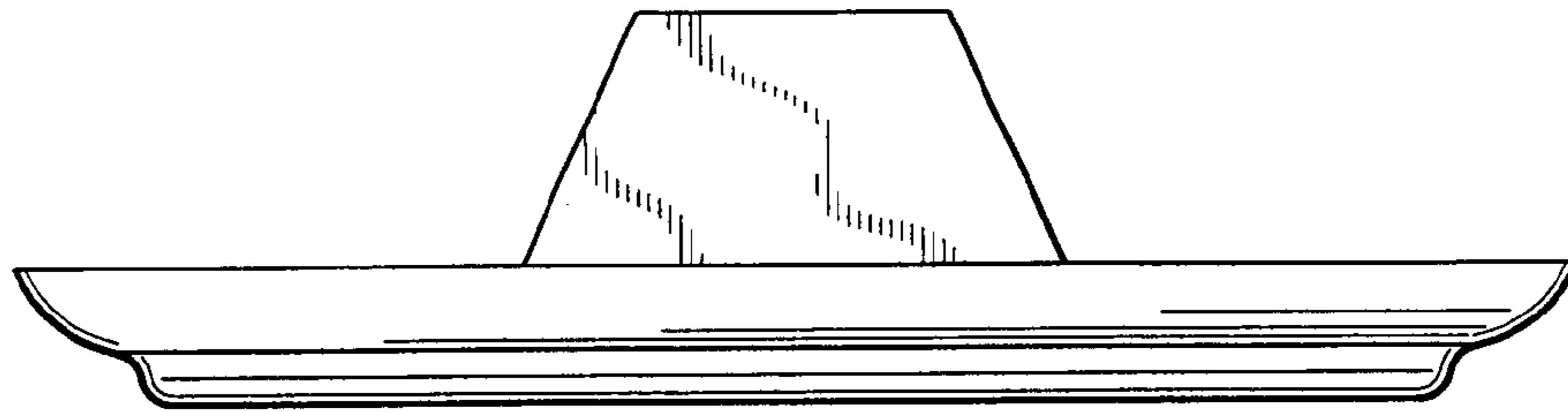


FIG. 3

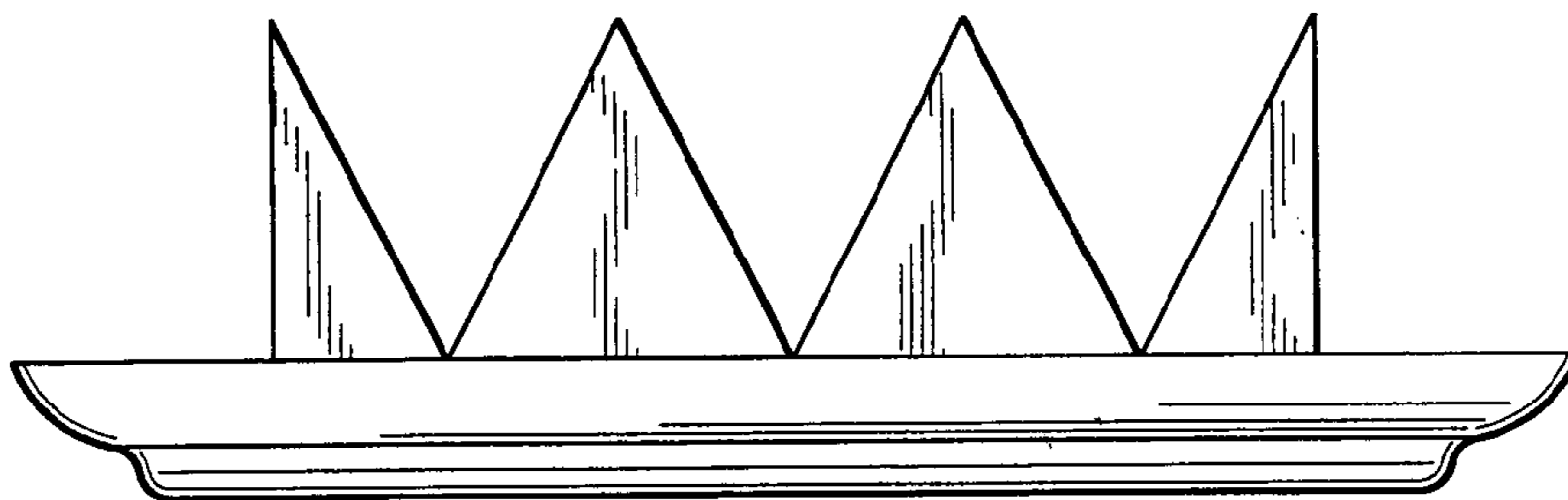


FIG. 4

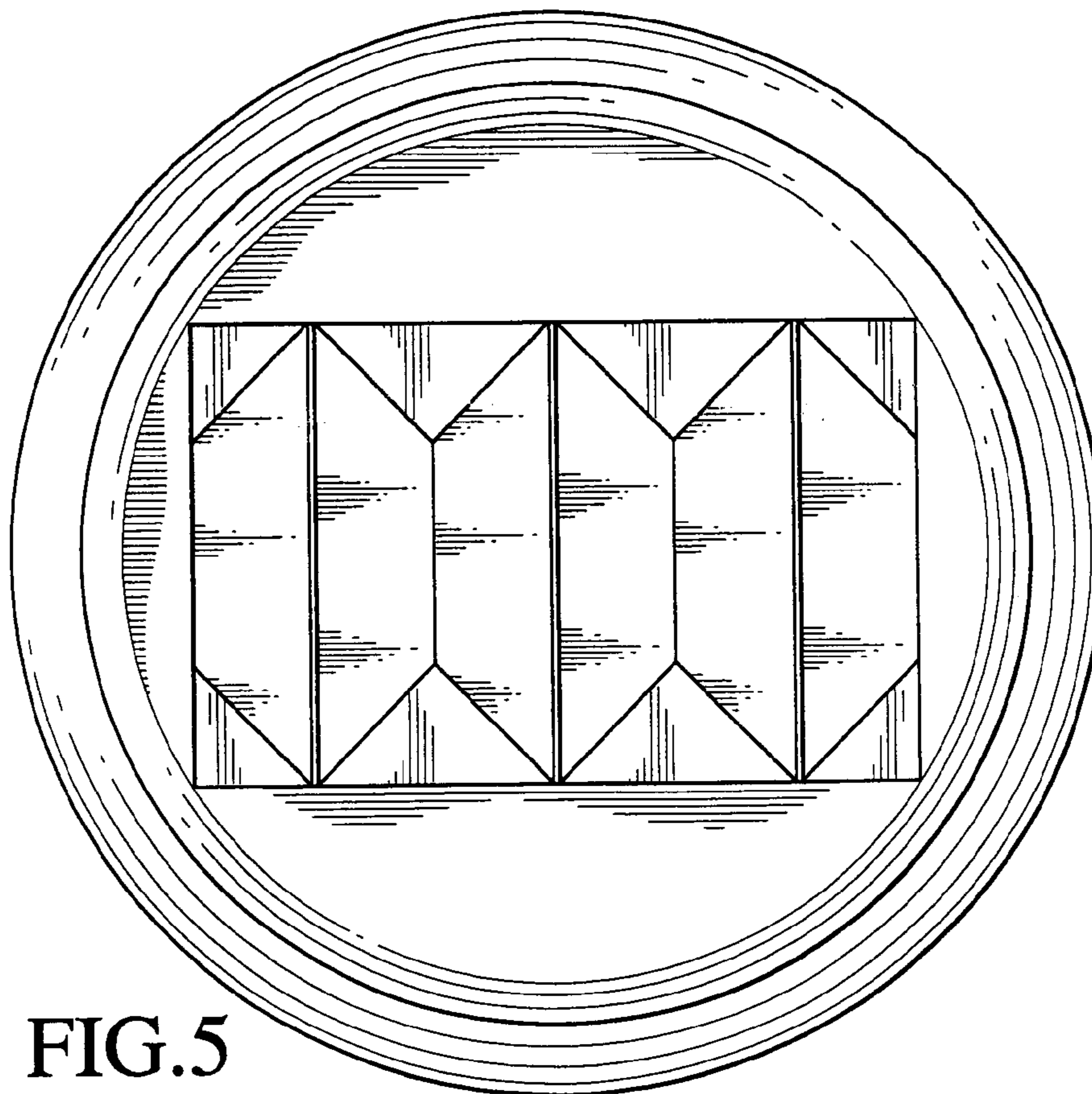


FIG. 5