

US00D509406S

(12) **United States Design Patent** (10) **Patent No.:** **US D509,406 S**  
**Freese et al.** (45) **Date of Patent:** **\*\* Sep. 13, 2005**

(54) **OVEN RACK**

(75) Inventors: **T. Brent Freese**, Newton, IA (US);  
**Gary B. Jackovin**, Ankeny, IA (US);  
**Isaac P. Sargunam**, Cleveland, TN  
(US)

(73) Assignee: **Maytag Corporation**, Newton, IA (US)

(\*\*) Term: **14 Years**

(21) Appl. No.: **29/201,675**

(22) Filed: **Mar. 19, 2004**

(51) **LOC (8) Cl.** ..... **07-02**

(52) **U.S. Cl.** ..... **D7/409**

(58) **Field of Search** ..... D7/323, 388, 402,  
D7/407-409; 126/1 R, 24, 25 R, 29, 332,  
337 R, 339; 211/134, 153, 181.1; 312/410;  
99/426

(56) **References Cited**

**U.S. PATENT DOCUMENTS**

1,343,818 A	6/1920	Grammich	211/153
1,350,330 A	8/1920	Partonnar	126/338
1,544,920 A	7/1925	Manley et al.	312/183
1,925,371 A	9/1933	Charter	211/153
2,169,904 A	8/1939	Schweller	374/141
2,205,064 A *	6/1940	Irwin	D7/409
2,429,025 A *	10/1947	Kerber et al.	99/426
3,536,000 A *	10/1970	Whitehill	D7/409
3,791,371 A	2/1974	Oatley	126/339
3,977,389 A *	8/1976	Ondrasik, II	126/337 R
D251,106 S *	2/1979	Petursson	D7/409
D291,646 S *	9/1987	Koziol	D7/409
5,272,317 A *	12/1993	Ryu	219/403
D346,531 S *	5/1994	Stephen et al.	D7/409
6,030,059 A	2/2000	Stravitz	312/9.47
D426,749 S *	6/2000	Barnes et al.	D7/409

D427,487 S *	7/2000	Holbrook	D7/409
6,112,916 A	9/2000	Barnes et al.	211/153
6,148,813 A	11/2000	Barnes et al.	126/339
6,205,997 B1	3/2001	Bartley	126/337 R
D442,432 S	5/2001	Bartley	D7/409
D444,997 S	7/2001	Bartley	D7/409
D445,302 S	7/2001	Bartley	D7/409
D448,617 S *	10/2001	Bartley	D7/409
D454,470 S *	3/2002	Bartley	D7/409
D457,394 S *	5/2002	Bartley	D7/409
6,644,302 B1 *	11/2003	Bartley	126/337 R
2004/0094143 A1 *	5/2004	Bartley	126/337 R

\* cited by examiner

*Primary Examiner*—Caron D. Veynar

*Assistant Examiner*—Vy Nguyen

(74) *Attorney, Agent, or Firm*—Diederiks & Whitelaw,  
PLC; Allan P. Orsund

(57) **CLAIM**

The ornamental design for an oven rack, as shown and described.

**DESCRIPTION**

FIG. 1 is a top right perspective view of an oven rack showing our new design;

FIG. 2 is a front elevational view of the oven rack of the invention;

FIG. 3 is a right side elevational view of the oven rack of FIG. 1, with a left side view being a mirror image thereof;

FIG. 4 is a rear elevational view of the oven rack of FIG. 1;

FIG. 5 is top plan view of the oven rack of FIG. 1; and,

FIG. 6 is a bottom plan view of the oven rack of FIG. 1.

The broken lines in FIG. 1 showing lateral rail extensions are for illustrative purposes only and form no part of the claimed invention.

**1 Claim, 4 Drawing Sheets**

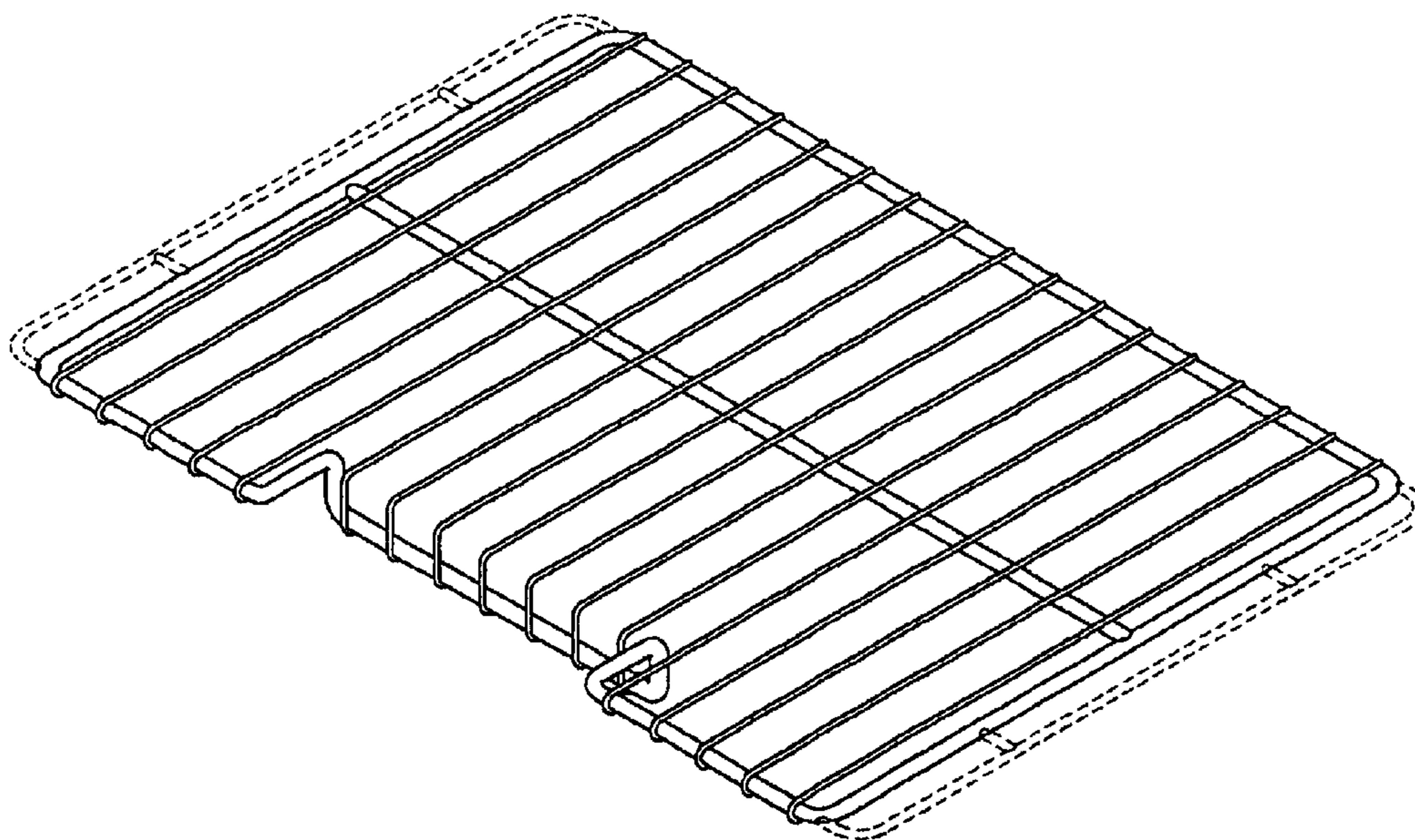
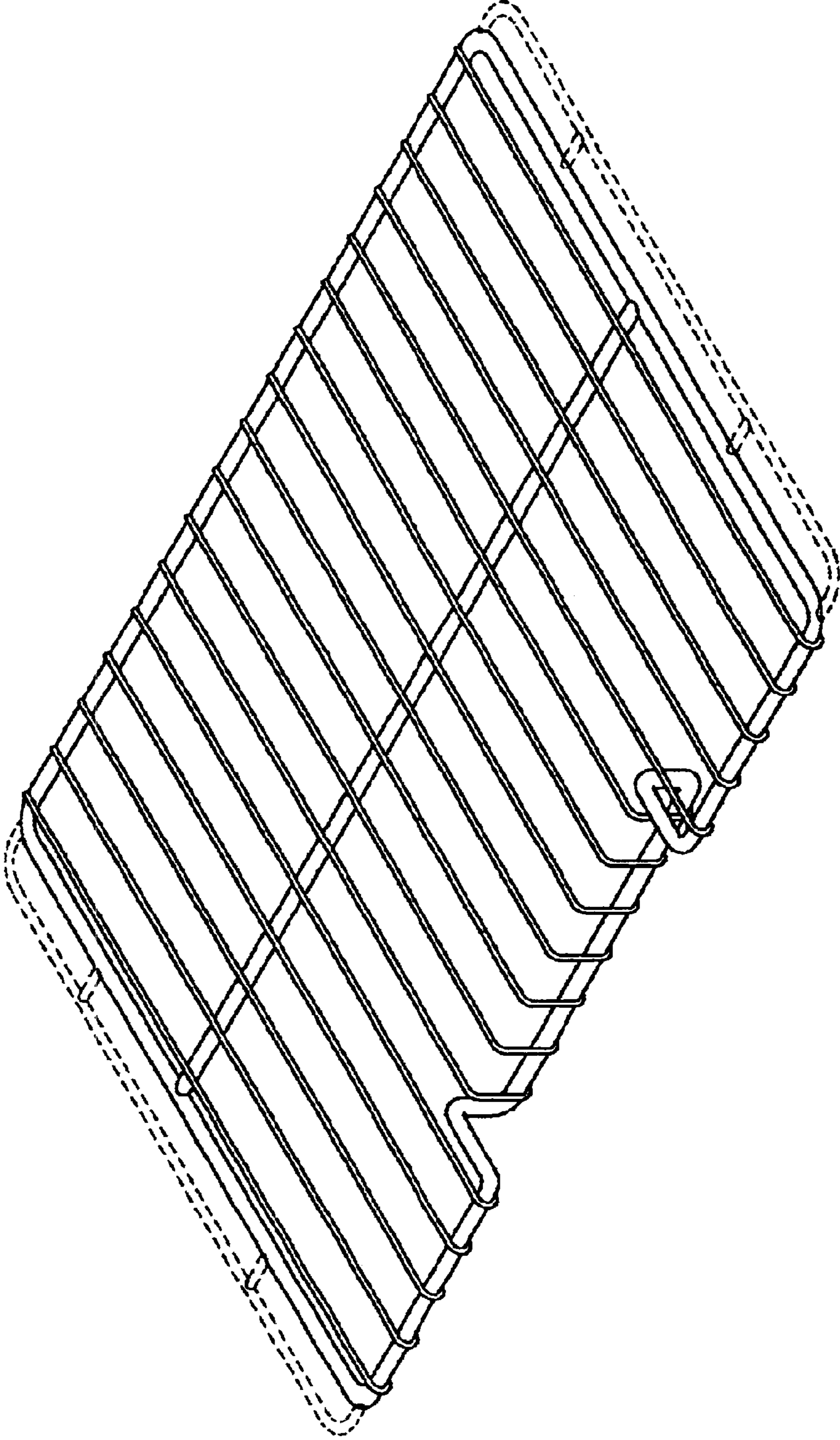
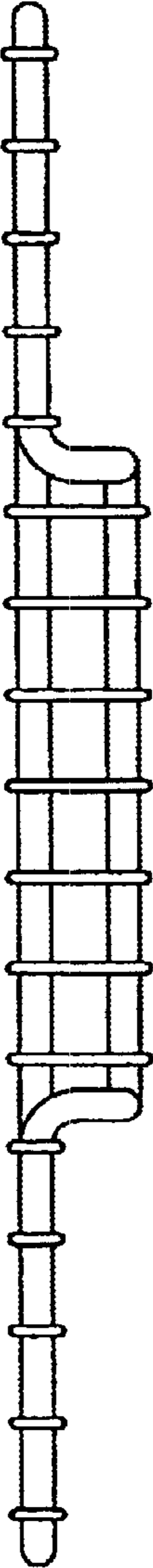


FIG. 1



*FIG. 2*



*FIG. 3*



*FIG. 4*

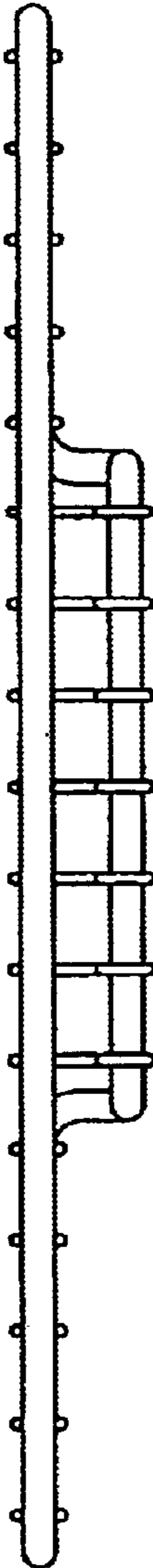


FIG. 5

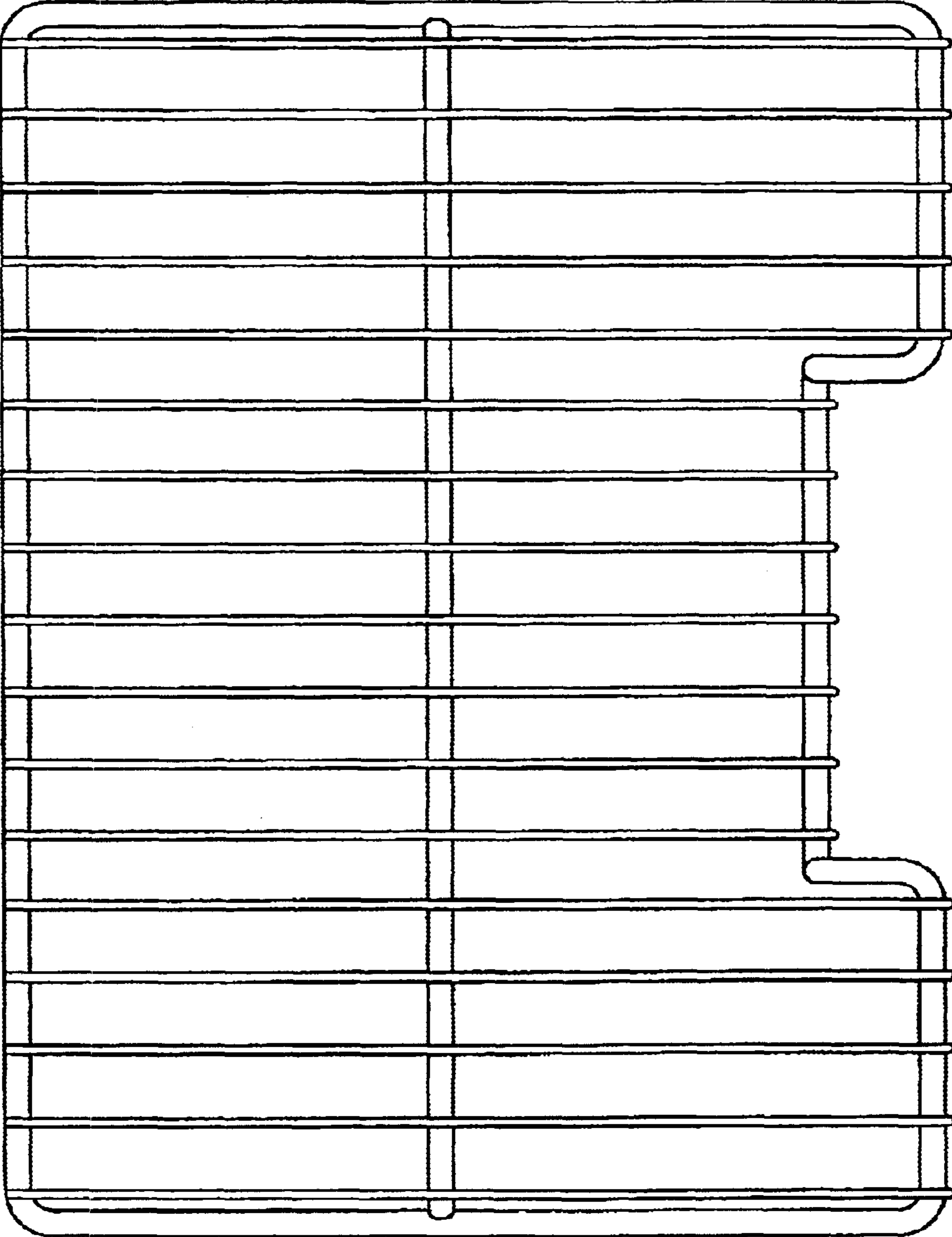


FIG. 6

