



US00D509404S

(12) **United States Design Patent** (10) **Patent No.:** **US D509,404 S**  
**Boyle et al.** (45) **Date of Patent:** **\*\* Sep. 13, 2005**

(54) **LEVER FOR A TOASTER**

(75) Inventors: **Kenneth Boyle**, Newton, IA (US);  
**Doug Drenten**, Ankeny, IA (US);  
**Robert Brueckner**, Johnston, IA (US);  
**Gary Petersen**, Grinnell, IA (US);  
**Kristi Lafrenz**, Newton, IA (US);  
**Keith Gausmann**, Westerville, OH  
(US); **Jeffrey T. DeBord**, Worthington,  
OH (US); **Michael T. Kopczewski**,  
Grove City, OH (US); **Sally Stark**,  
Westerville, OH (US); **Paul Hsu**,  
Powell, OH (US)

(73) Assignee: **Maytag Corporation**, Newton, IA (US)

(\*\*) Term: **14 Years**

(21) Appl. No.: **29/201,730**

(22) Filed: **Mar. 19, 2004**

(51) **LOC (8) Cl.** ..... **07-02**

(52) **U.S. Cl.** ..... **D7/390**

(58) **Field of Search** ..... D7/323, 328-330,  
D7/385, 390; 99/331, 332, 357, 375, 385;  
219/388, 405, 450.1; D21/525; D8/107,  
300, 307, 310; 16/110.1, 430, 431

(56) **References Cited**

**U.S. PATENT DOCUMENTS**

5,299,497 A 4/1994 Dias  
D367,990 S 3/1996 Roze  
D396,165 S \* 7/1998 Pena Angarita ..... D7/330

D425,358 S \* 5/2000 Hughes ..... D7/330  
D431,147 S 9/2000 Lin  
D432,892 S \* 10/2000 Nakatani et al. .... D8/307  
D438,383 S 3/2001 Doat  
D445,663 S 7/2001 Chen  
D472,421 S \* 4/2003 To ..... D7/330  
D478,268 S \* 8/2003 Trazzi ..... D8/307  
D483,643 S 12/2003 Chien

\* cited by examiner

*Primary Examiner*—Caron D. Veynar  
(74) *Attorney, Agent, or Firm*—Brian J. Laurenzo; Jason M.  
Hunt; Michael C. Gilchrist

(57) **CLAIM**

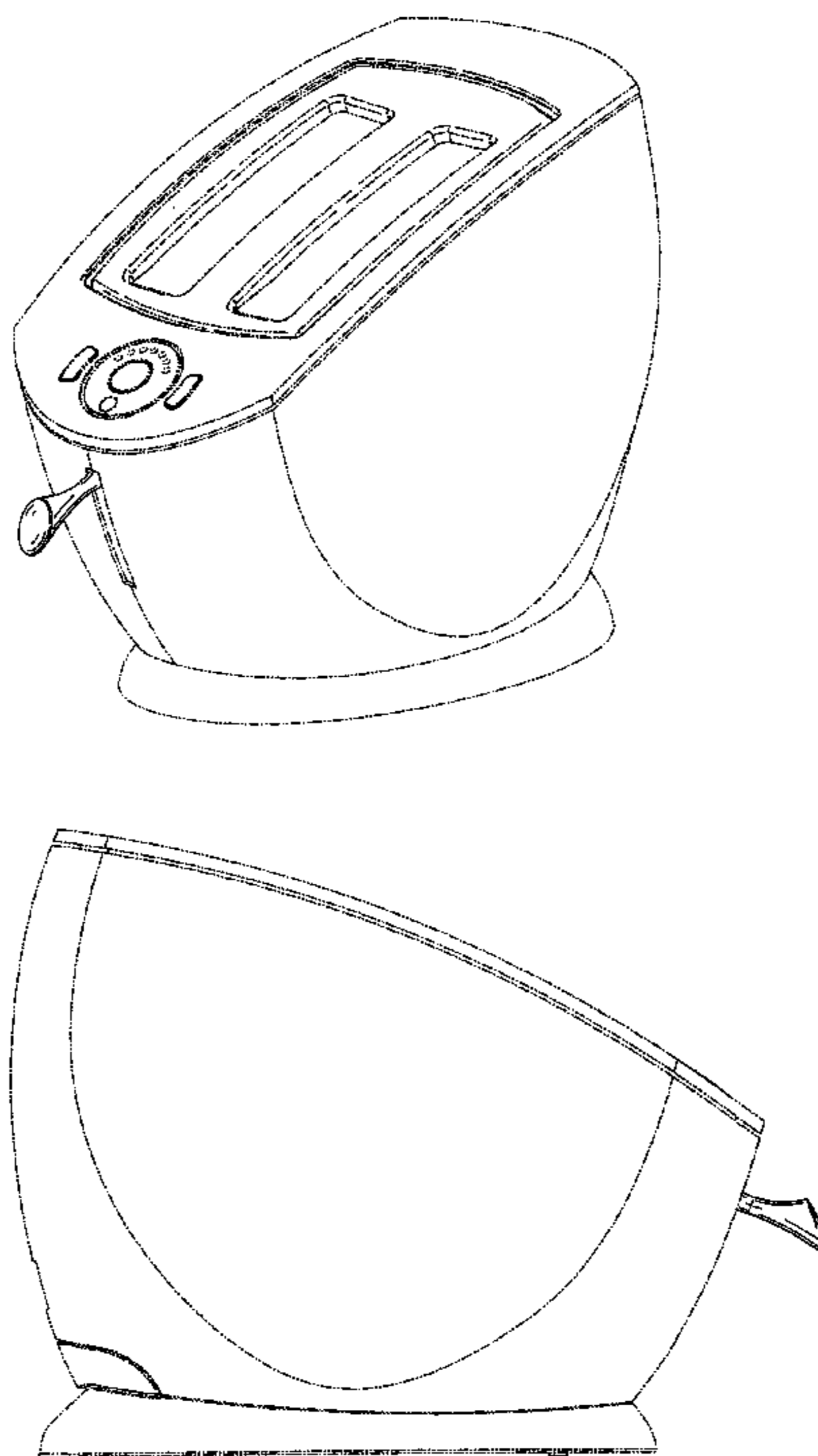
The ornamental design for a lever for a toaster, as shown and described.

**DESCRIPTION**

FIG. 1 is an isometric view of a lever for a toaster according to the present invention;  
FIG. 2 is a front elevation view of the lever of FIG. 1;  
FIG. 3 is left side elevation view of the lever of FIG. 1;  
FIG. 4 is a top plan view of the lever of FIG. 1; and,  
FIG. 5 is a bottom plan view of the lever of FIG. 1.  
The right side elevation view of the lever is a mirror image of the left side elevation view shown in FIG. 3, and is therefore not shown.

The broken lines in the Drawings are for illustrative purposes only in order to show the environment in which the design is associated and form no part of the claimed design.

**1 Claim, 5 Drawing Sheets**



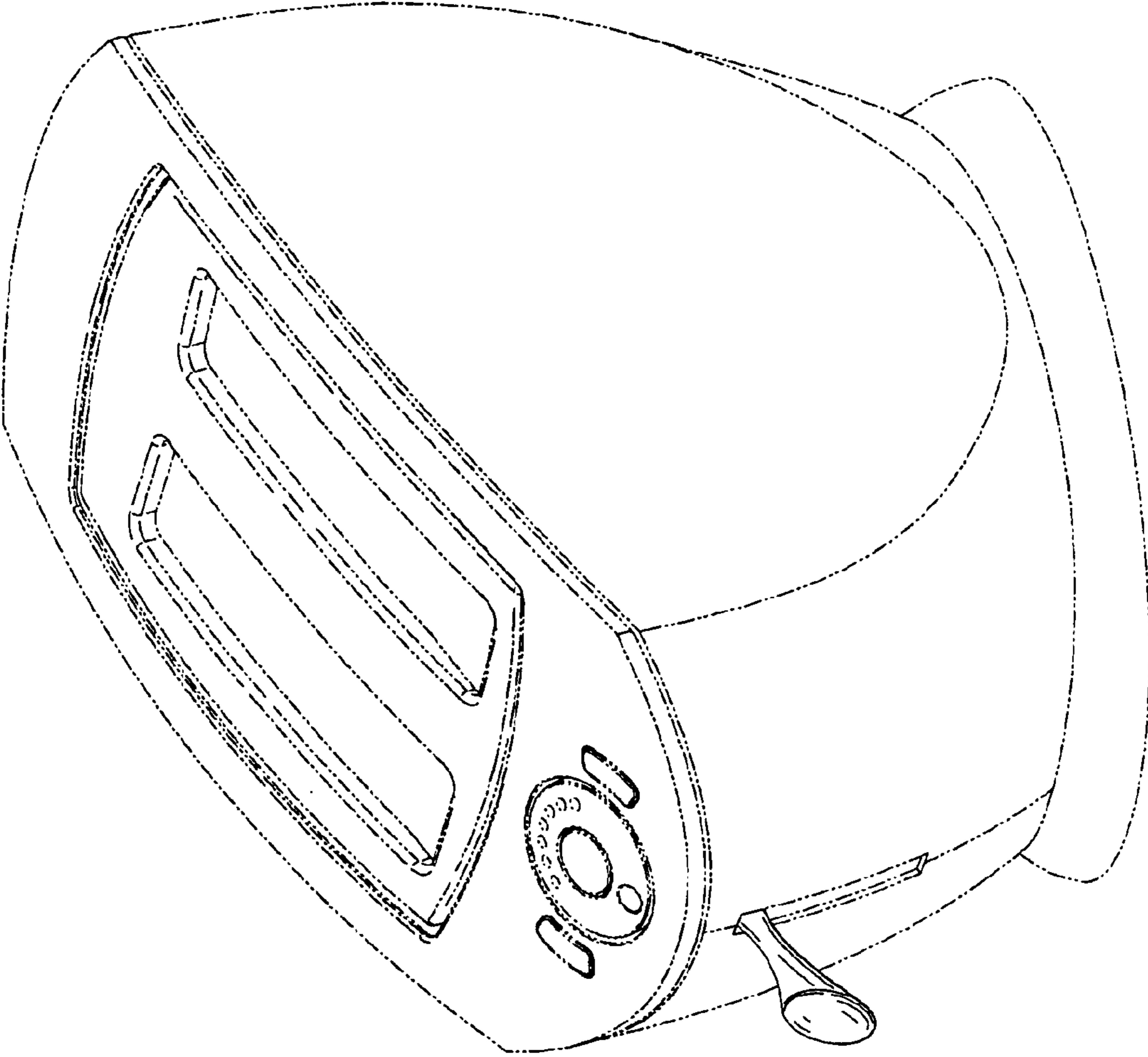


FIG. 1

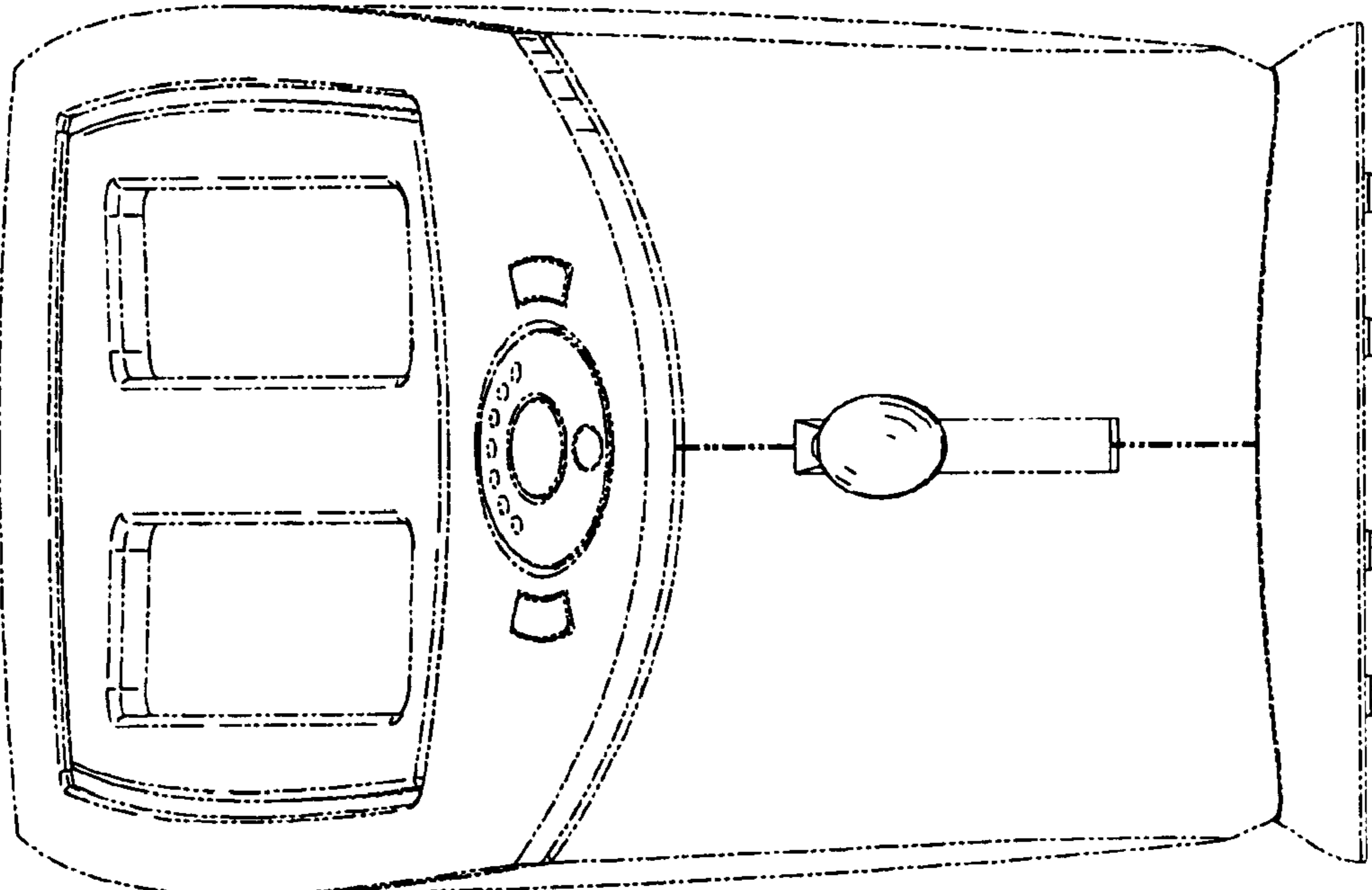


FIG. 2

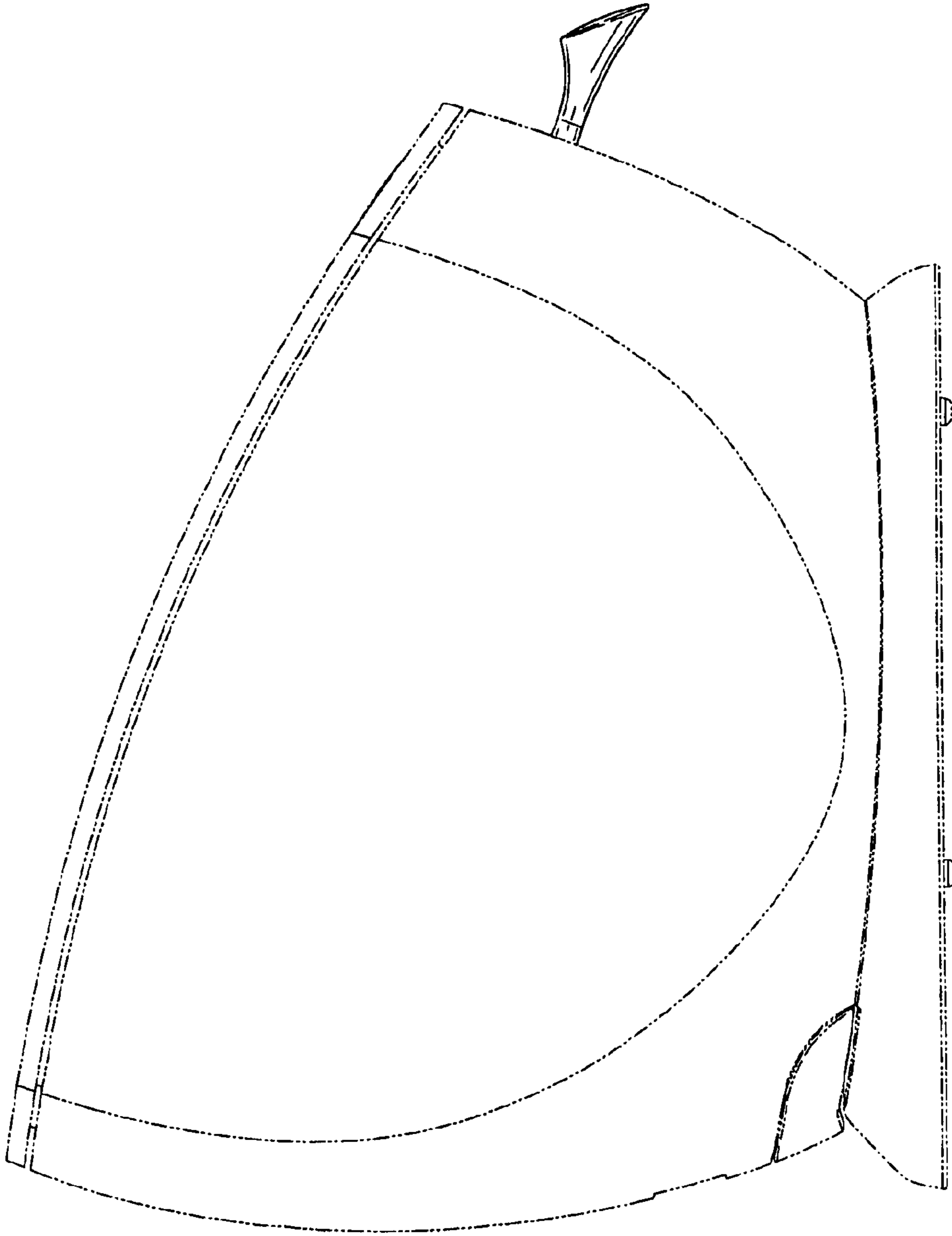


FIG. 3

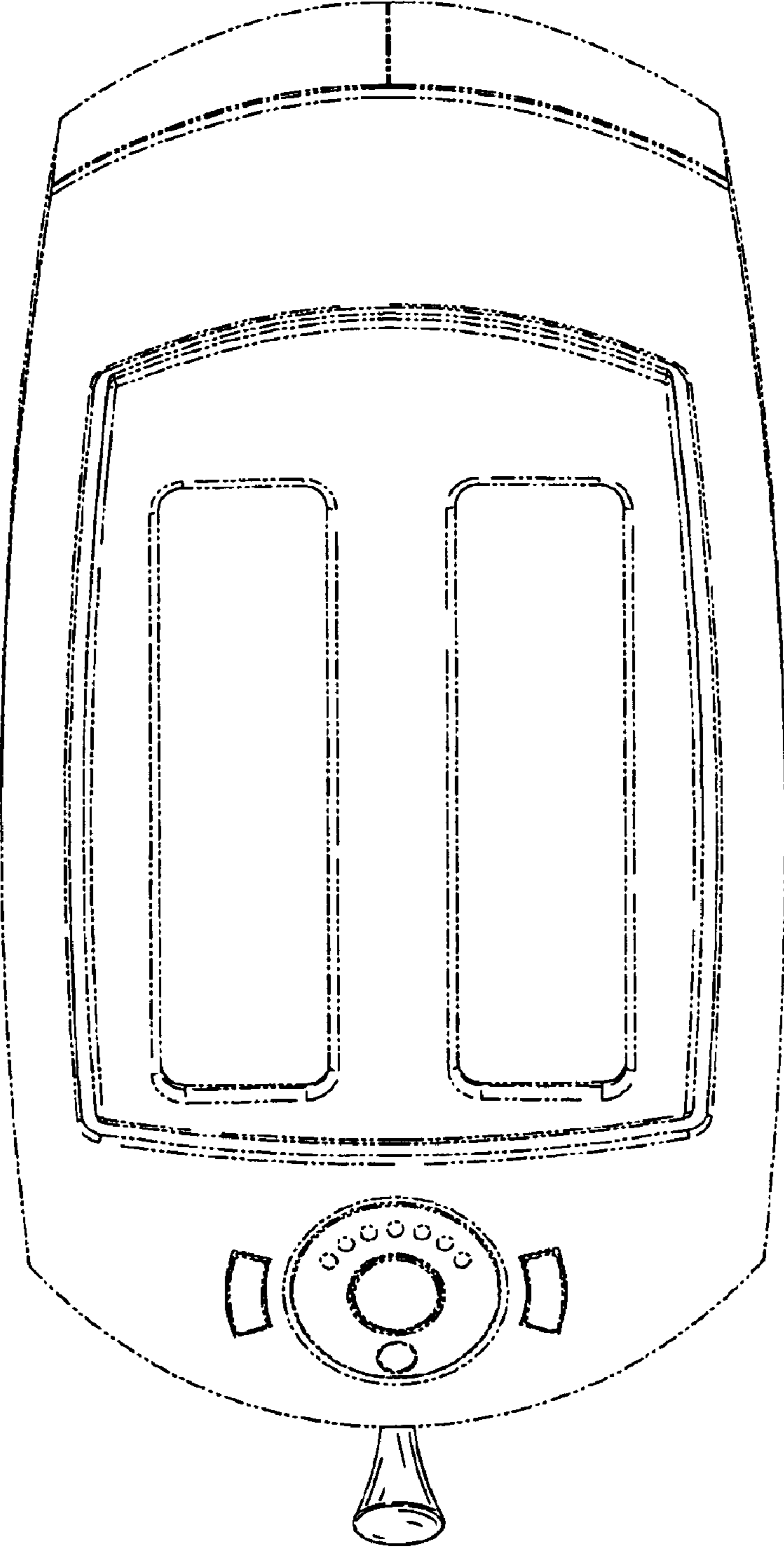


FIG. 4

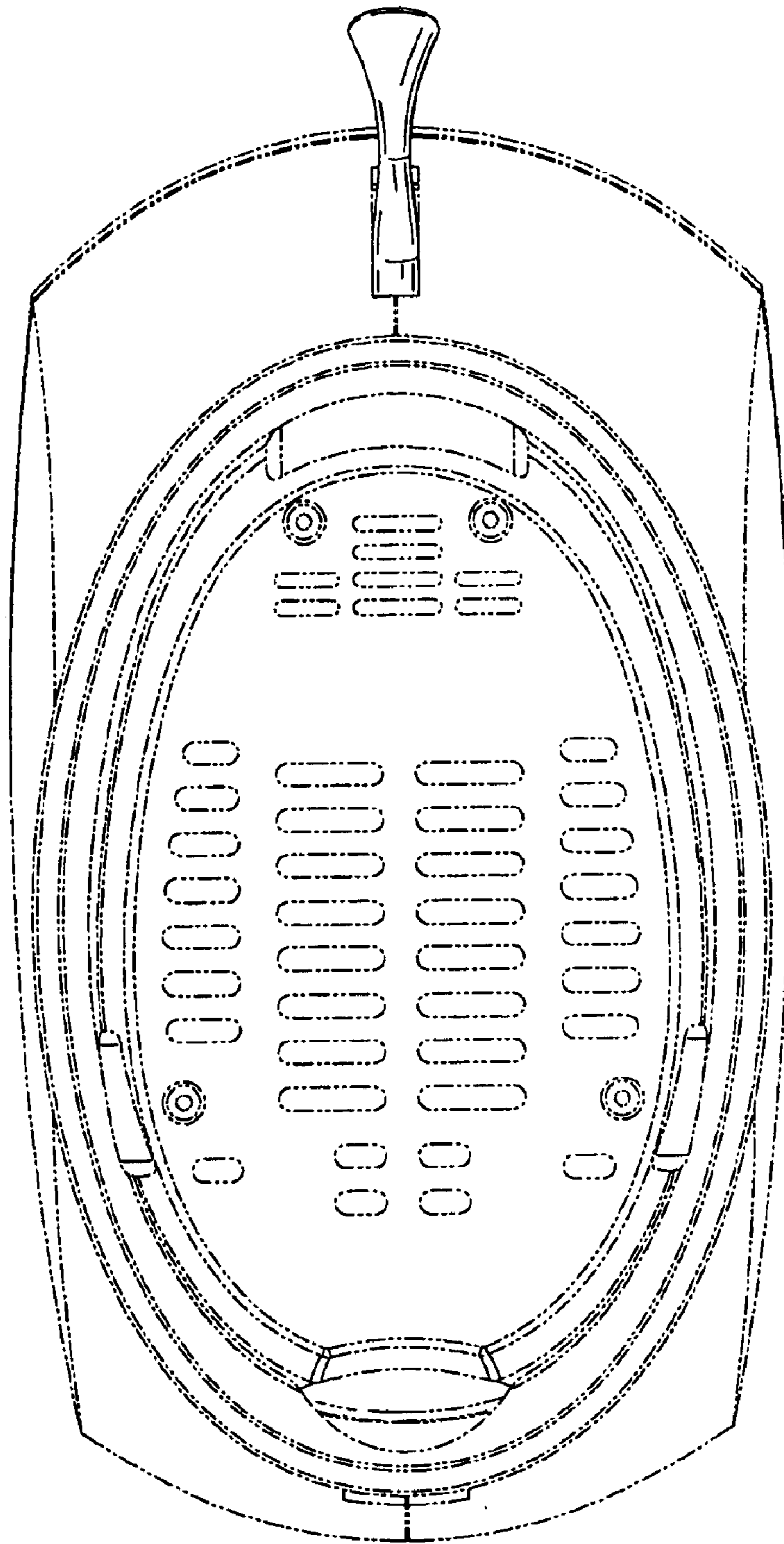


FIG. 5