

US00D509403S

(12) **United States Design Patent**
Raydo

(10) **Patent No.:** **US D509,403 S**

(45) **Date of Patent:** **** Sep. 13, 2005**

(54) **MELTING POT**

(75) **Inventor:** **Lawrence Joseph Raydo, Jasper, TN (US)**

(73) **Assignee:** **Lodge Manufacturing Company, South Pittsburg, TN (US)**

(**) **Term:** **14 Years**

(21) **Appl. No.:** **29/212,921**

(22) **Filed:** **Sep. 8, 2004**

(51) **LOC (8) Cl.** **07-02**

(52) **U.S. Cl.** **D7/361**

(58) **Field of Search** D7/323, 354, 359, D7/361, 667; D10/46.2; 220/573.1; 222/189.07, 572

(56) **References Cited**

U.S. PATENT DOCUMENTS

- D330,863 S * 11/1992 Green D10/46.2
- 5,388,732 A * 2/1995 Greger 222/572
- D394,217 S * 5/1998 Laib D10/46.2

- D440,501 S * 4/2001 Dorion et al. D10/46.2
- D455,599 S * 4/2002 Cheng D7/354
- 6,520,383 B1 * 2/2003 Brest 222/189.07

* cited by examiner

Primary Examiner—Caron D. Veynar

Assistant Examiner—Vy Nguyen

(74) *Attorney, Agent, or Firm*—Kilpatrick Stockton LLP

(57) **CLAIM**

The ornamental design for a melting pot, as shown and described.

DESCRIPTION

FIG. 1 shows a perspective view of a melting pot according to the present invention.

FIG. 2 shows a front view of the melting pot of FIG. 1.

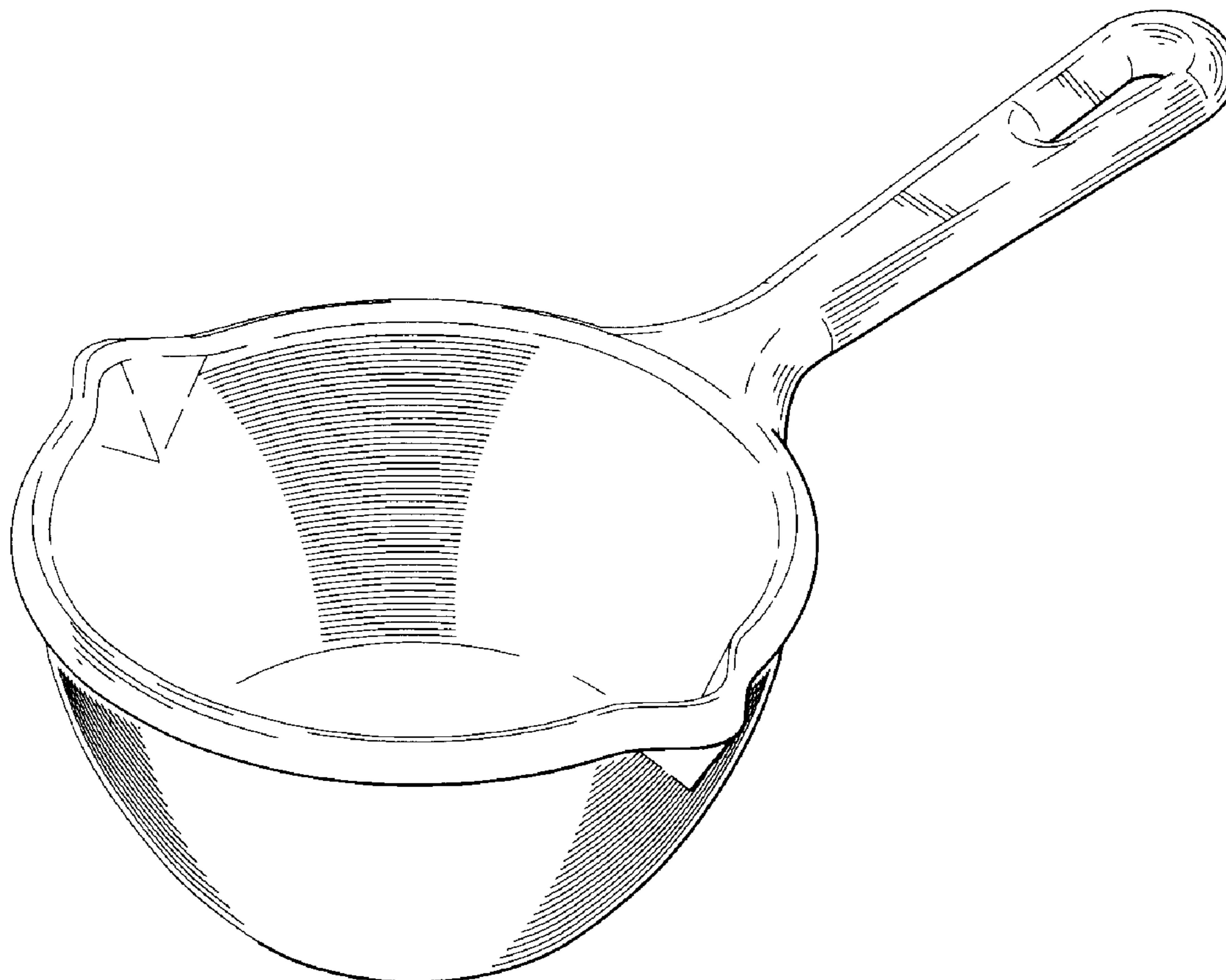
FIG. 3 shows a right side view of the melting pot of FIG. 1, the left side view being a mirror image of the right side view.

FIG. 4 shows a rear view of the melting pot of FIG. 1.

FIG. 5 shows a top view of the melting pot of FIG. 1; and,

FIG. 6 shows a bottom view of the melting pot of FIG. 1.

1 Claim, 4 Drawing Sheets



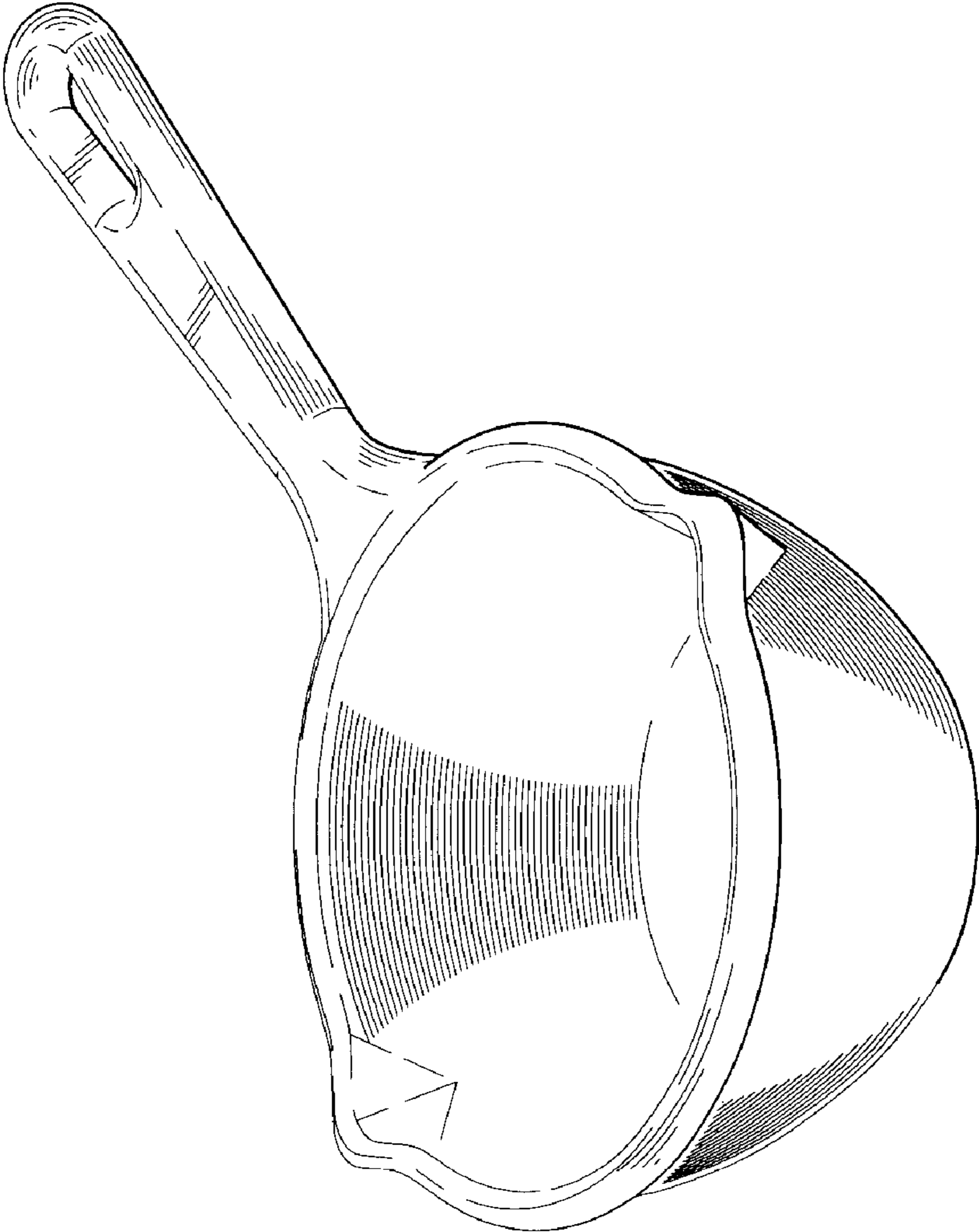


FIG. 1

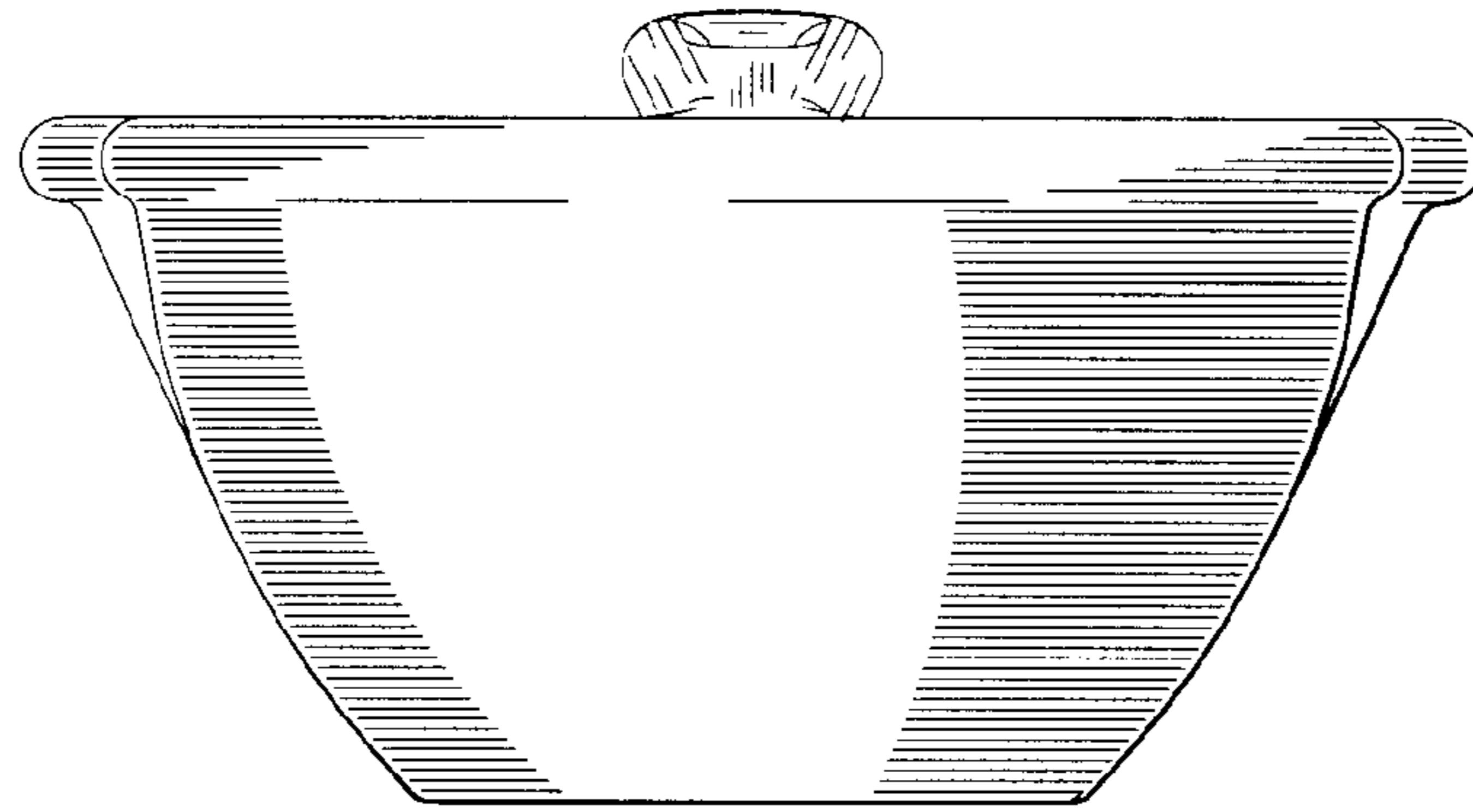


FIG. 2

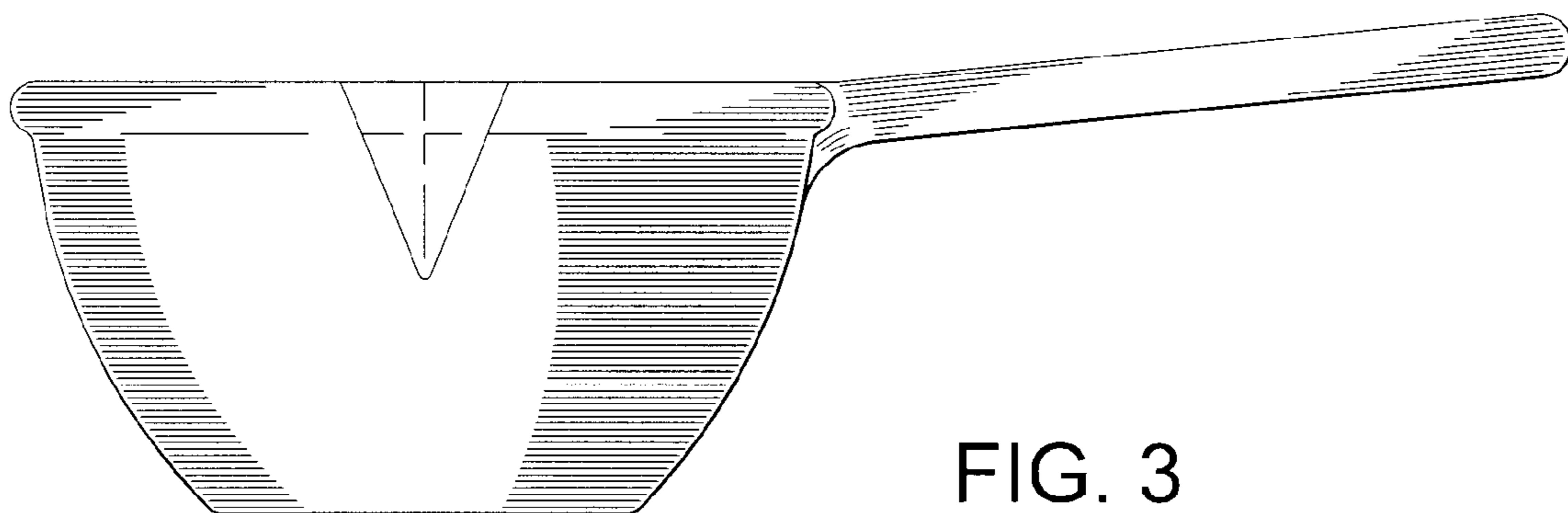


FIG. 3

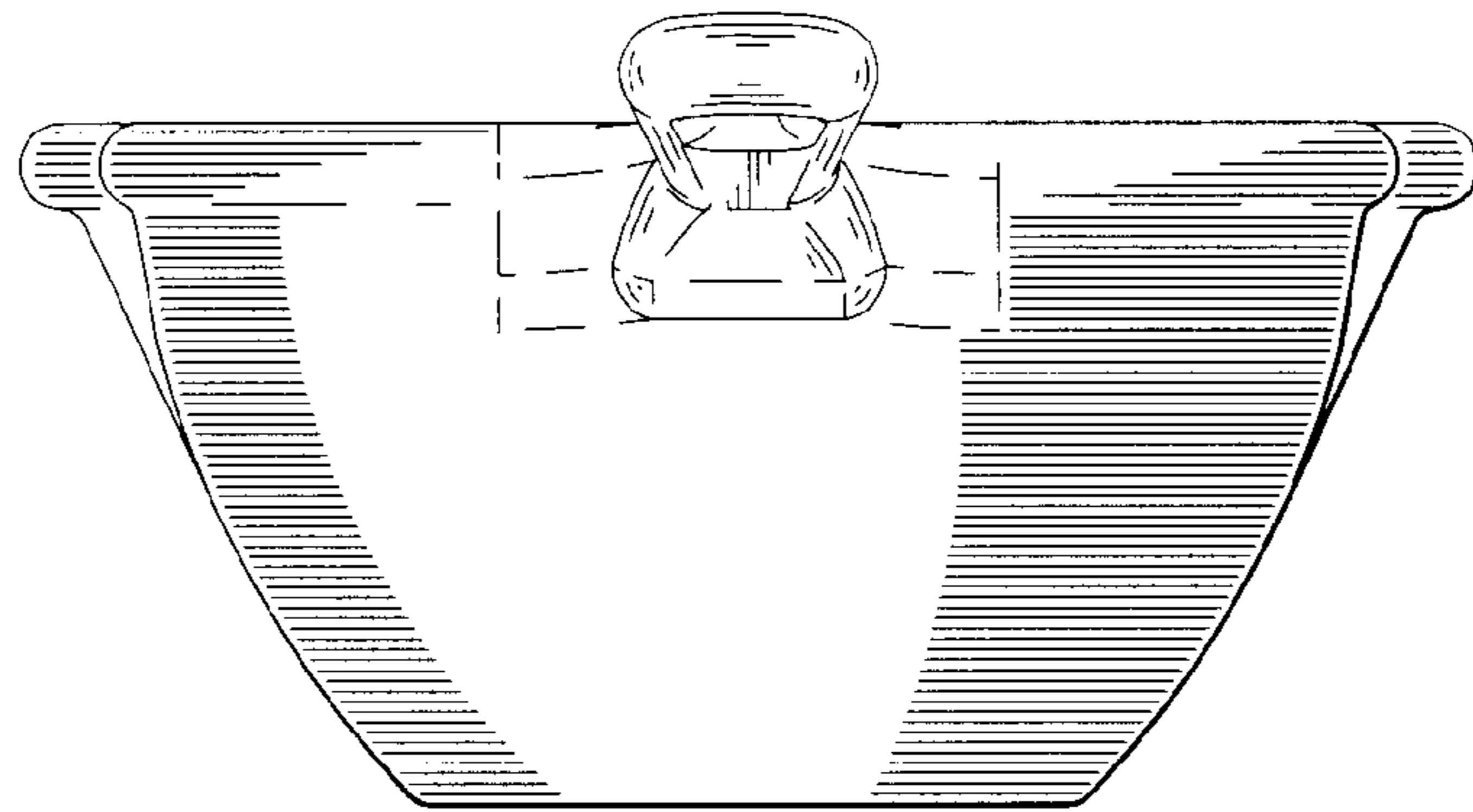


FIG. 4

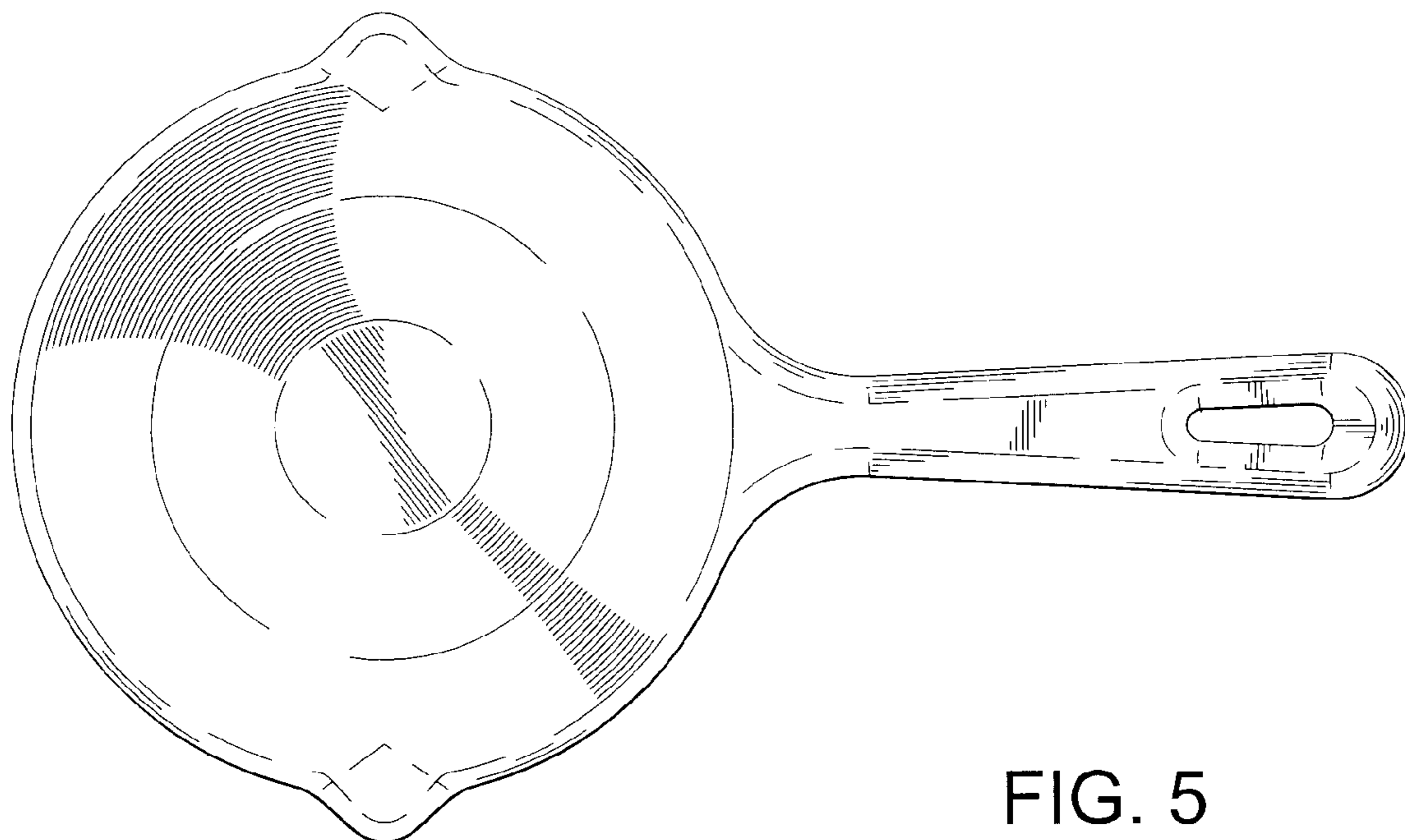


FIG. 5

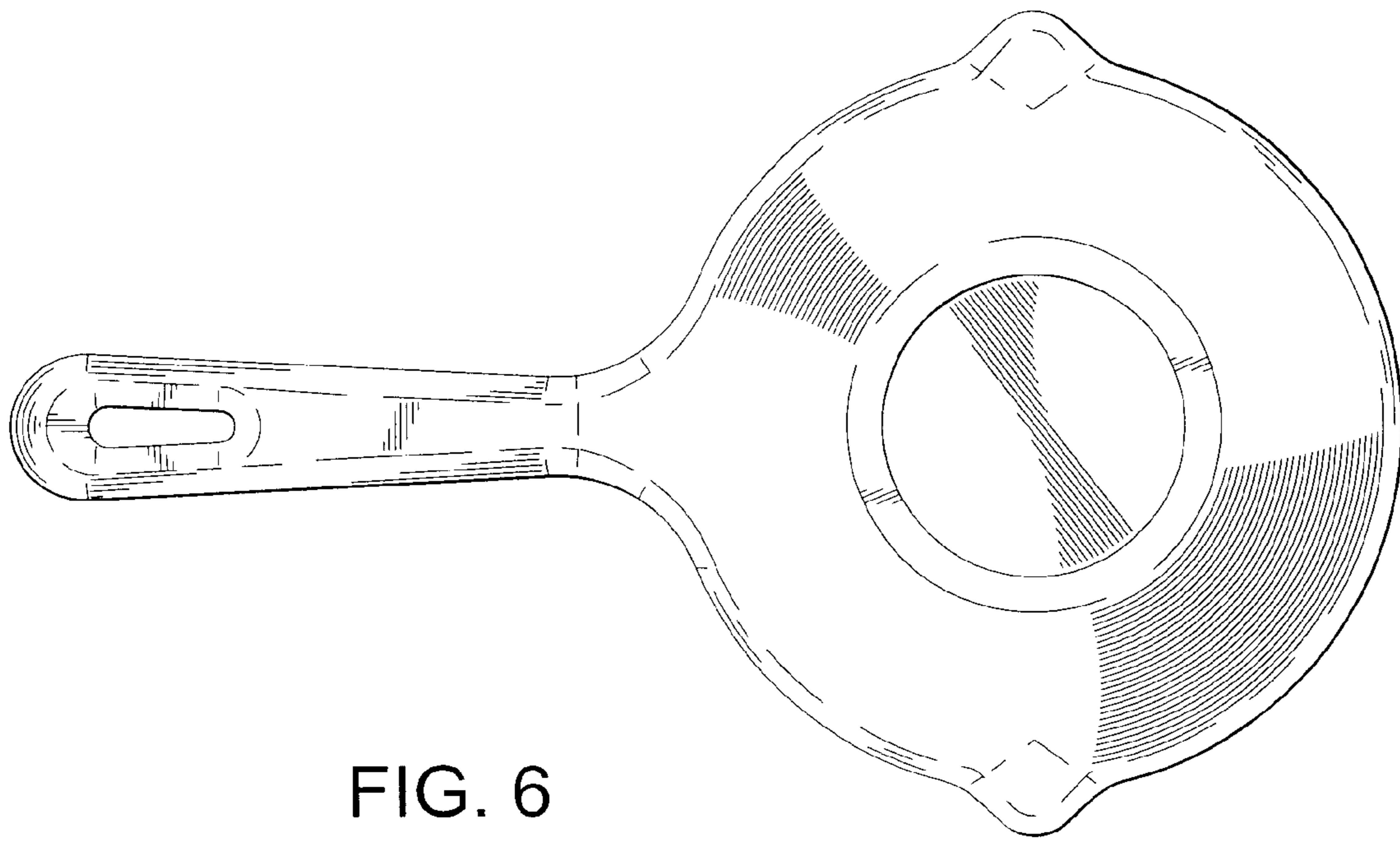


FIG. 6