

US00D509399S

(12) **United States Design Patent**
Kanza

(10) **Patent No.:** **US D509,399 S**

(45) **Date of Patent:** **** Sep. 13, 2005**

(54) **MICROWAVE OVEN**

(75) **Inventor:** **Akinobu Kanza, Kobe (JP)**

(73) **Assignee:** **Matsushita Electric Industrial Co., Ltd., Osaka (JP)**

(**) **Term:** **14 Years**

(21) **Appl. No.:** **29/201,136**

(22) **Filed:** **Mar. 10, 2004**

(51) **LOC (8) Cl.** **07-02**

(52) **U.S. Cl.** **D7/351**

(58) **Field of Search** D7/350.1, 350.3,
D7/350.4, 351, 402, 405-406; 126/273 A,
275 R, 275 E, 19 M, 21 R; 219/756-758;
99/DIG. 14

(56) **References Cited**

U.S. PATENT DOCUMENTS

D323,953 S	*	2/1992	Kubo et al.	D7/351
D341,289 S		11/1993	Choi		
D357,159 S	*	4/1995	Mitsui et al.	D7/351
D371,041 S		6/1996	Matoba et al.		
D373,925 S		9/1996	Kim		
D385,155 S	*	10/1997	Weiss et al.	D7/405
D394,583 S		5/1998	Asawa et al.		
D409,437 S		5/1999	Nakano et al.		
D413,482 S		9/1999	Sugimoto et al.		
D423,868 S		5/2000	Shoji et al.		
D425,750 S	*	5/2000	Koike	D7/351
D426,102 S		6/2000	Hamada et al.		
D429,945 S		8/2000	Noda et al.		
D435,389 S		12/2000	Konno et al.		
D435,754 S		1/2001	Ozaki et al.		
D435,999 S		1/2001	Noda et al.		
D436,493 S		1/2001	Ozaki		
D437,179 S		2/2001	Ozaki et al.		
D439,468 S		3/2001	Kim		
D439,794 S		4/2001	Paul		

D442,424 S	*	5/2001	Naganuma	D7/351
D442,820 S		5/2001	Kim		
D442,821 S	*	5/2001	Naganuma	D7/351
D452,410 S		12/2001	Ichimura		
D455,046 S	*	4/2002	Hwang	D7/405
D455,931 S		4/2002	Mimura et al.		
D455,932 S		4/2002	Noda et al.		
D462,869 S		9/2002	Konno et al.		
D468,577 S		1/2003	Kanza et al.		
D468,578 S	*	1/2003	Fukuda et al.	D7/351
D477,964 S		8/2003	Kanza		
D478,465 S		8/2003	Kanza		

OTHER PUBLICATIONS

Panasonic France's Website page for Microwave Oven (NN-L760W) Sep. 5, 2002.

Panasonic France's Website page for Microwave Oven (NN-A771S) Sep. 5, 2002.

Panasonic France's Website page for Microwave Oven (NN-A890W) Sep. 18, 2002.

* cited by examiner

Primary Examiner—Ruth McInroy

(74) *Attorney, Agent, or Firm*—Brinks Hofer Gilson & Lione

(57) **CLAIM**

The ornamental design for a microwave oven, as shown and described.

DESCRIPTION

FIG. 1 is a top perspective view of a microwave oven of the present invention;

FIG. 2 is a front view thereof;

FIG. 3 is a top view thereof;

FIG. 4 is a bottom view thereof;

FIG. 5 is a first side view thereof;

FIG. 6 is a second side view thereof; and,

FIG. 7 is a rear view thereof.

1 Claim, 4 Drawing Sheets

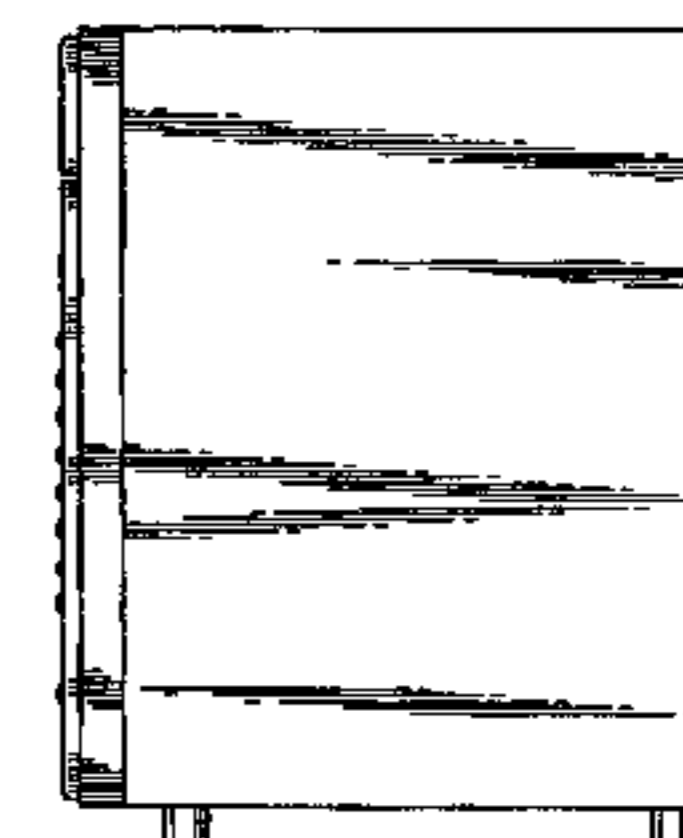
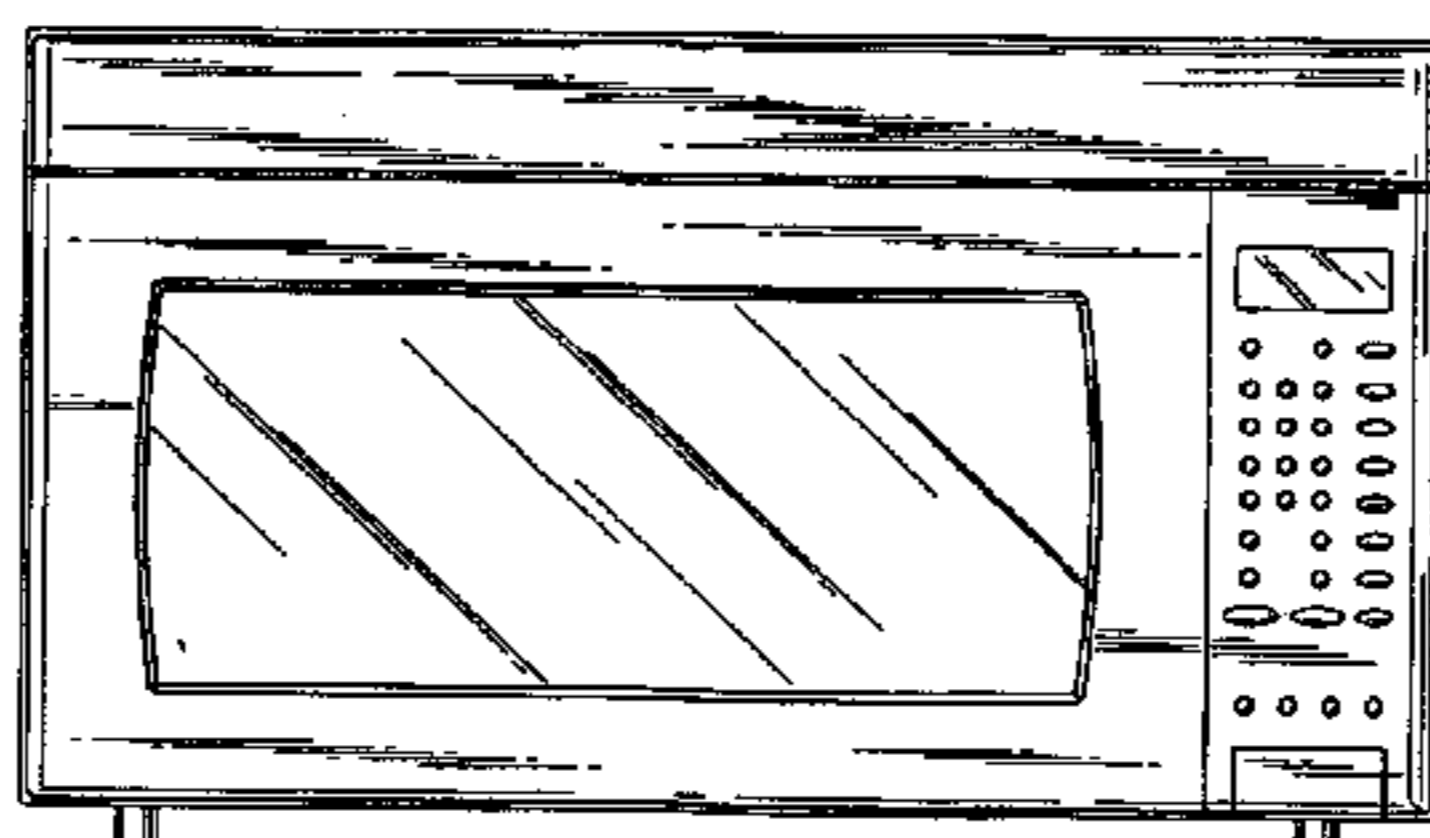
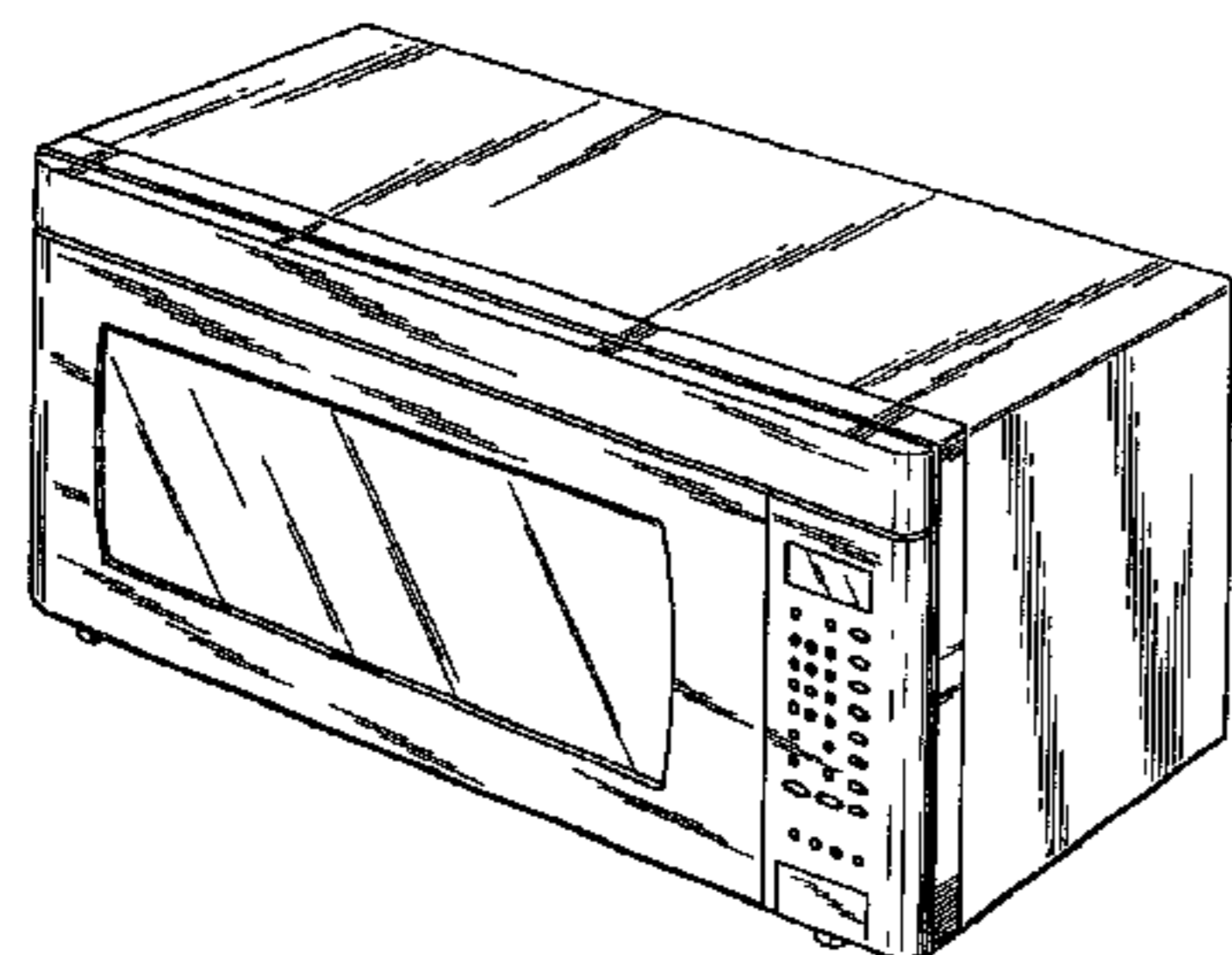


FIG. 1

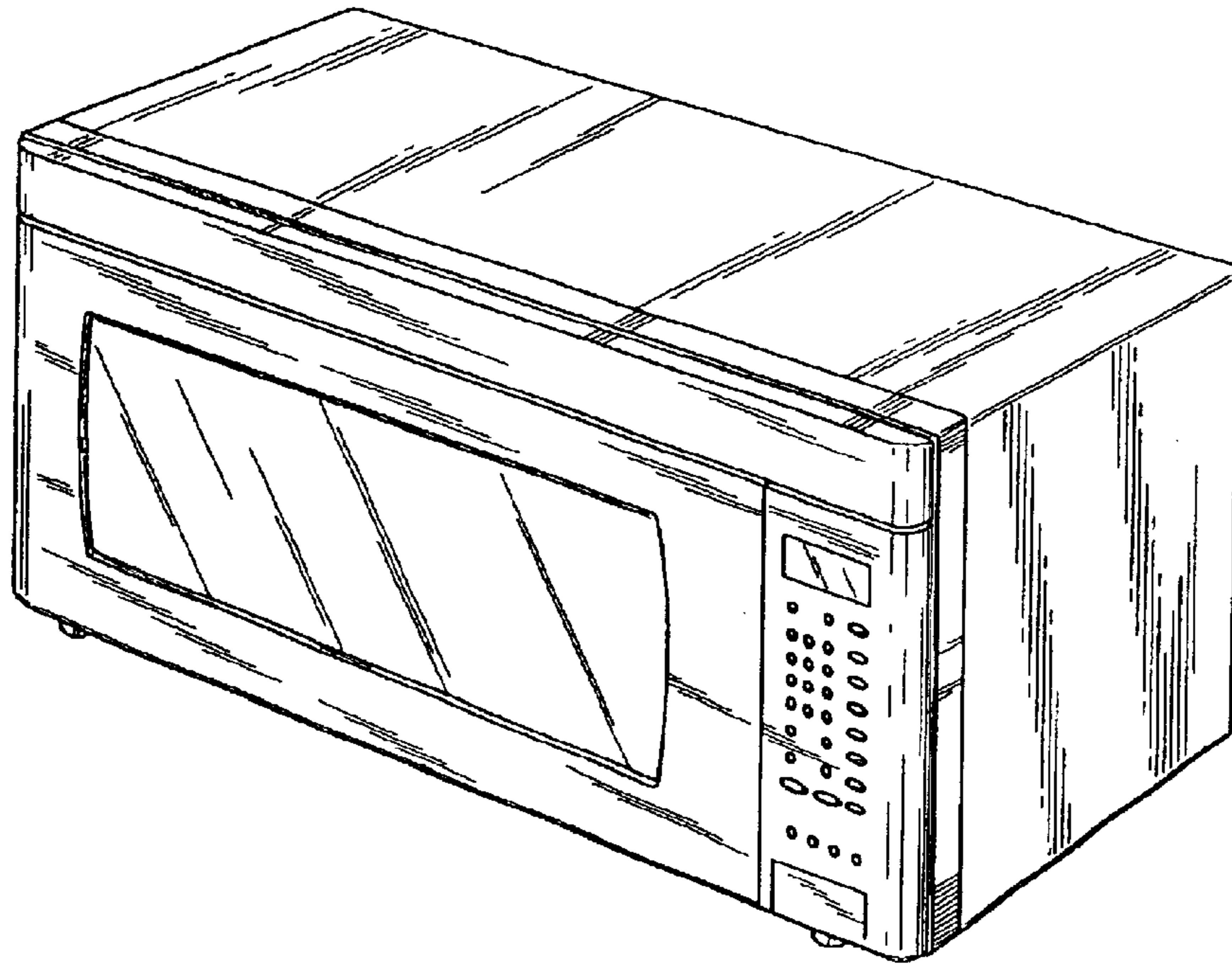


FIG. 2

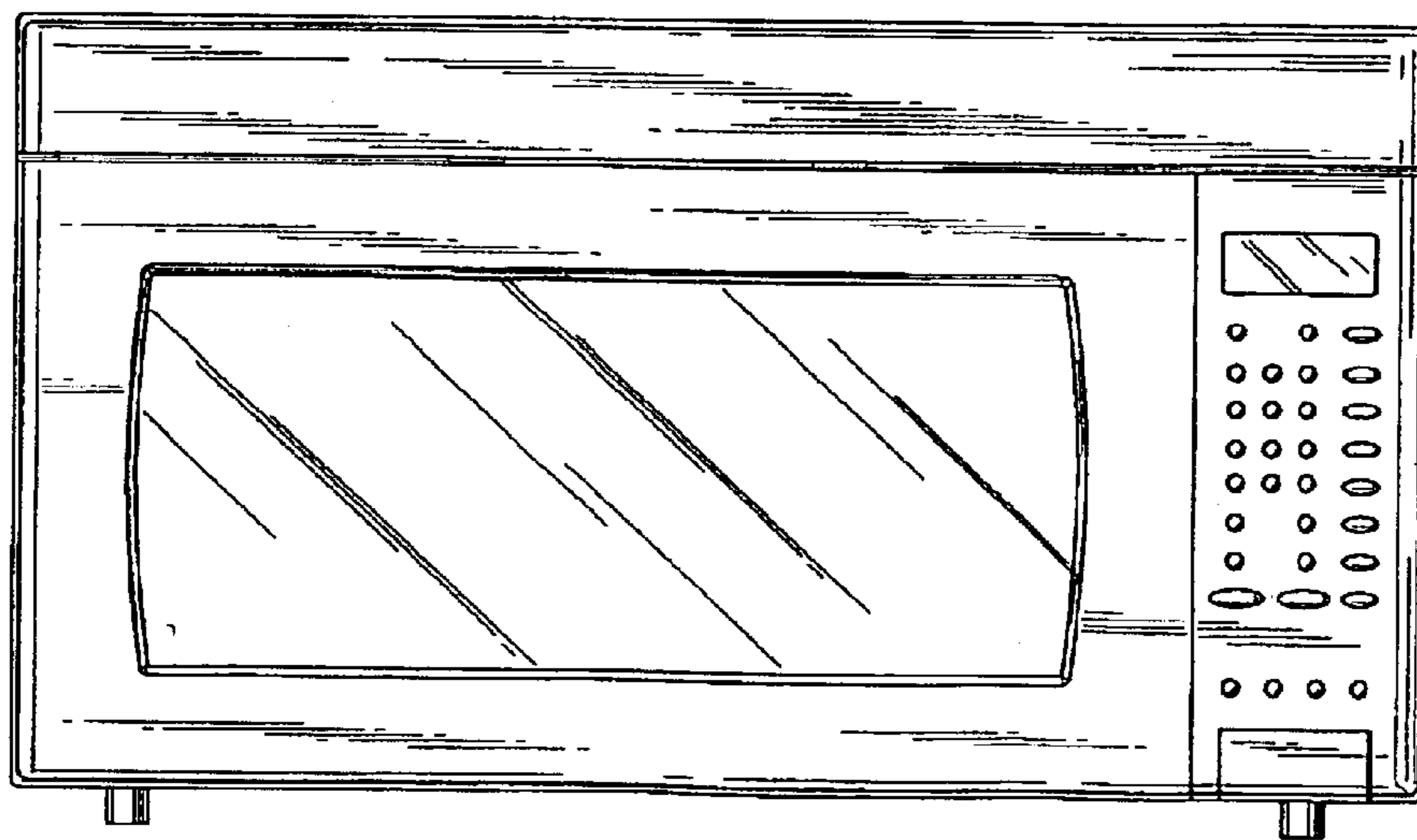


FIG. 3

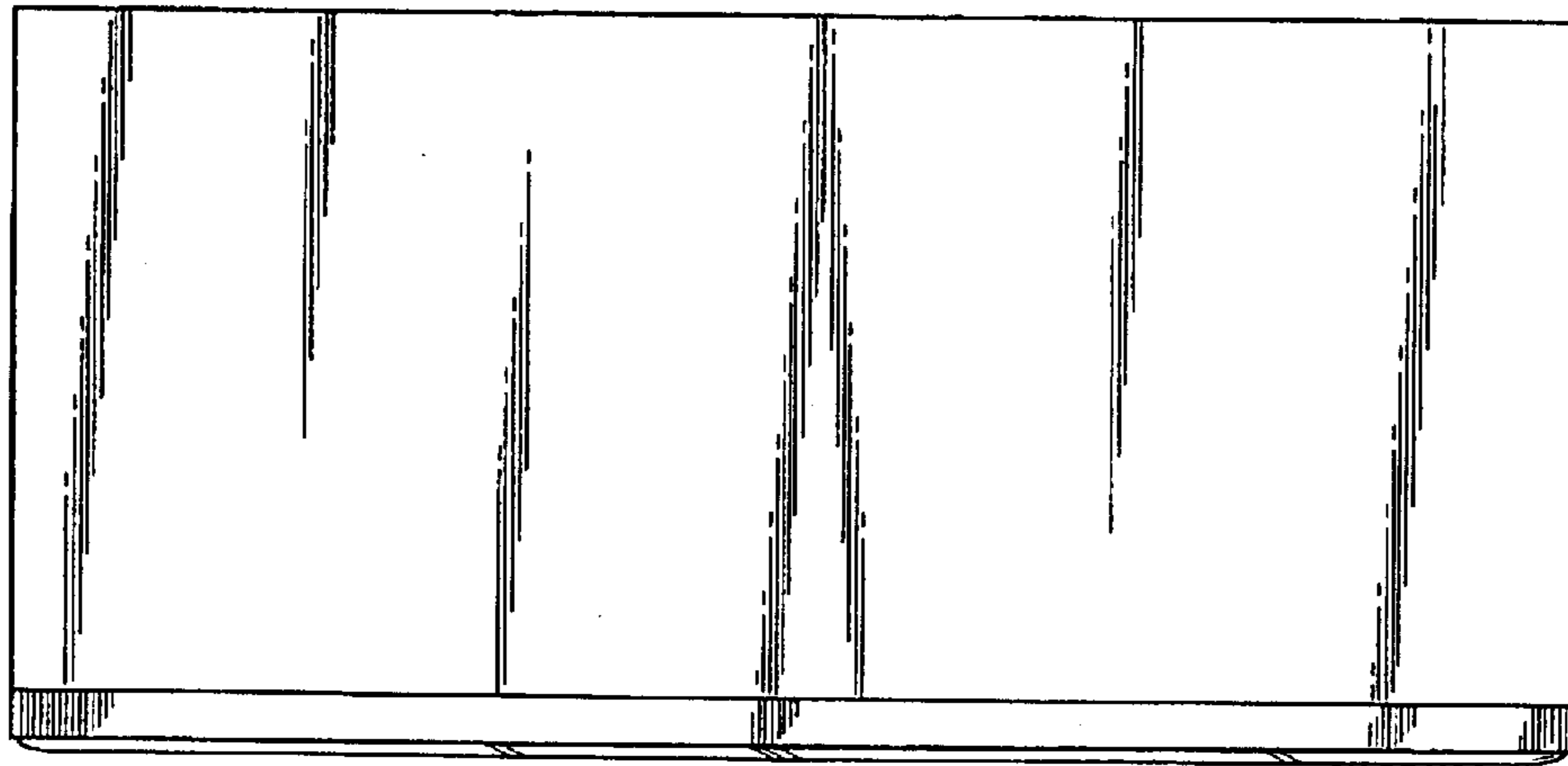


FIG. 4

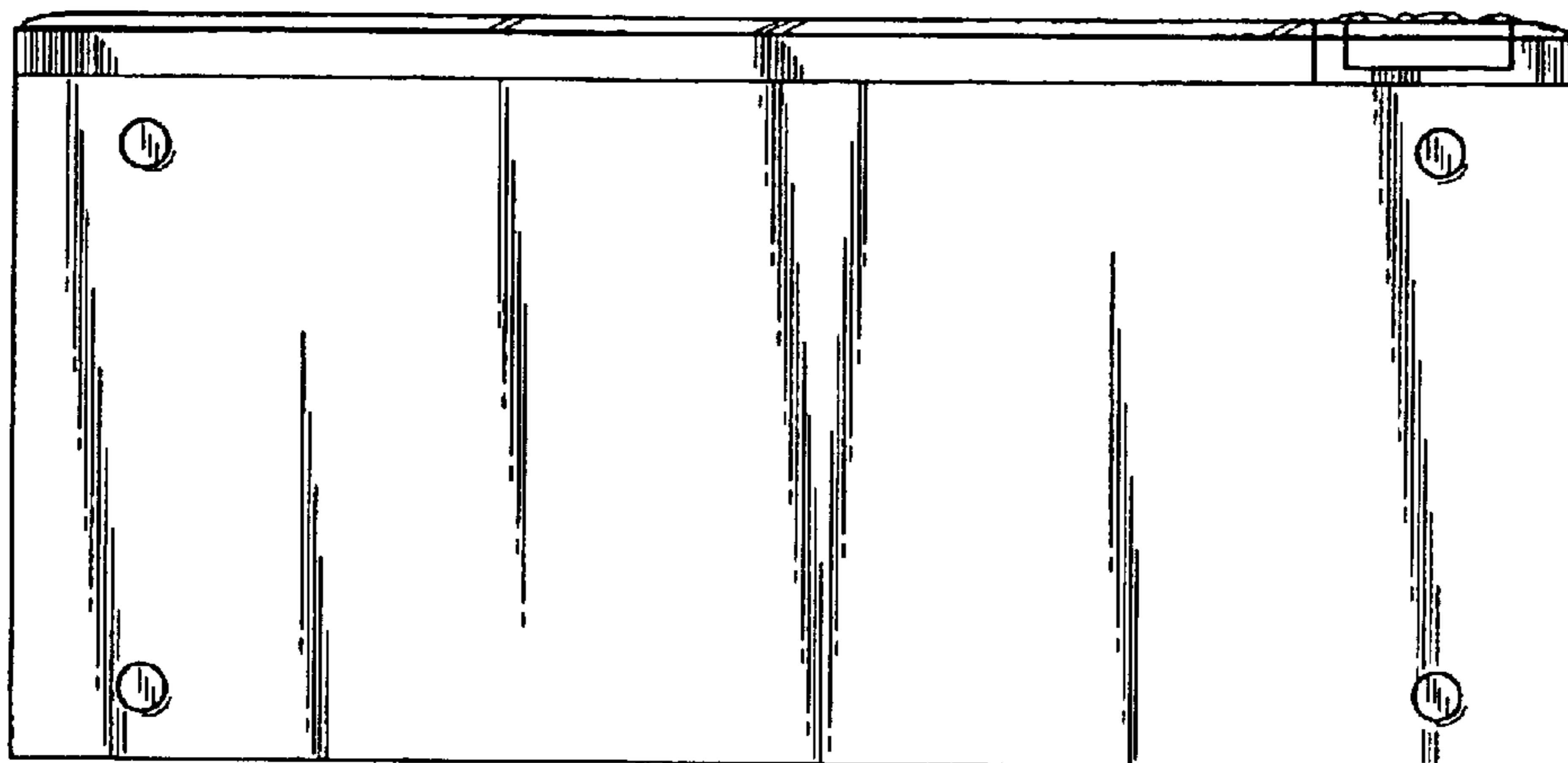


FIG. 5

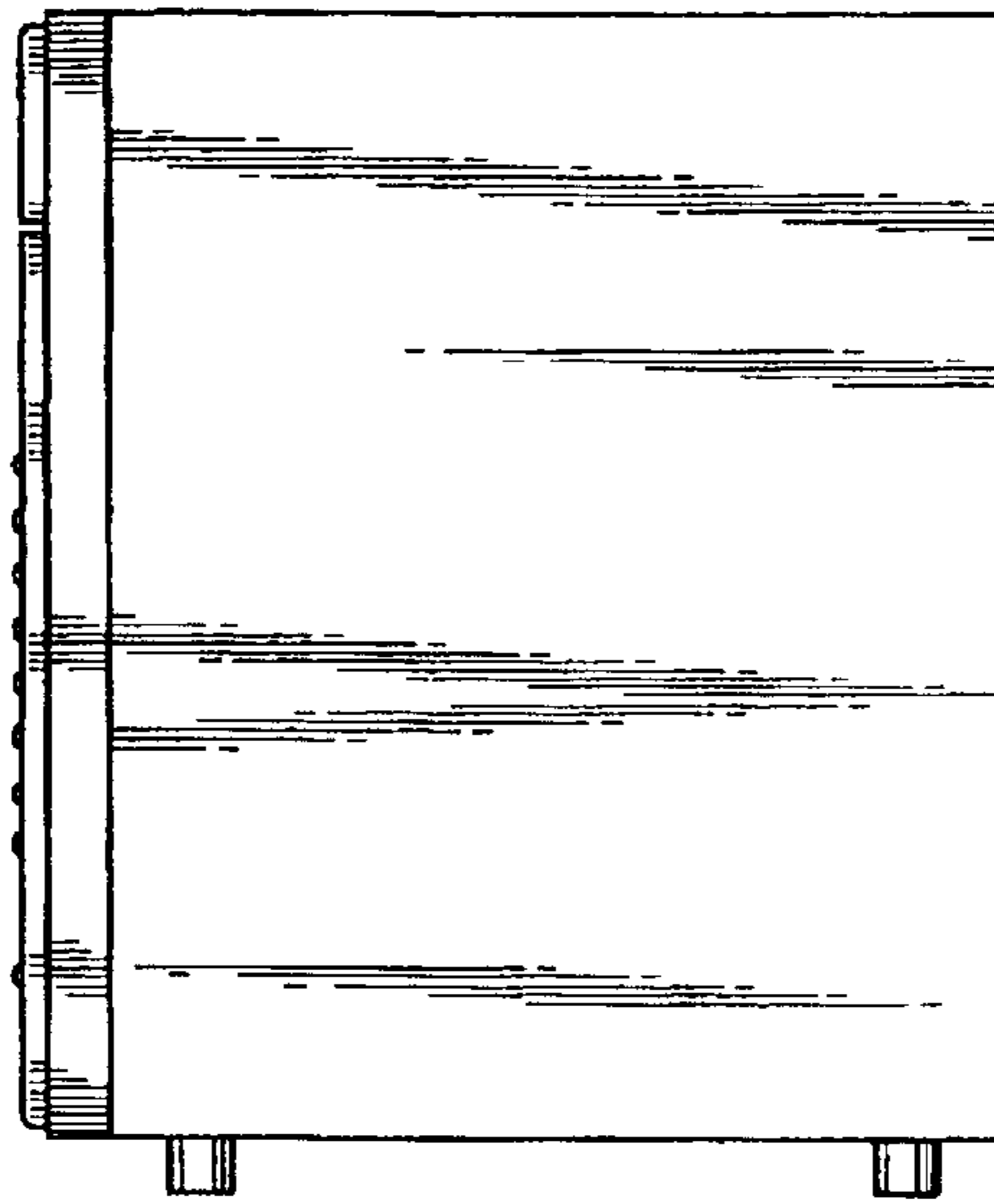


FIG. 6

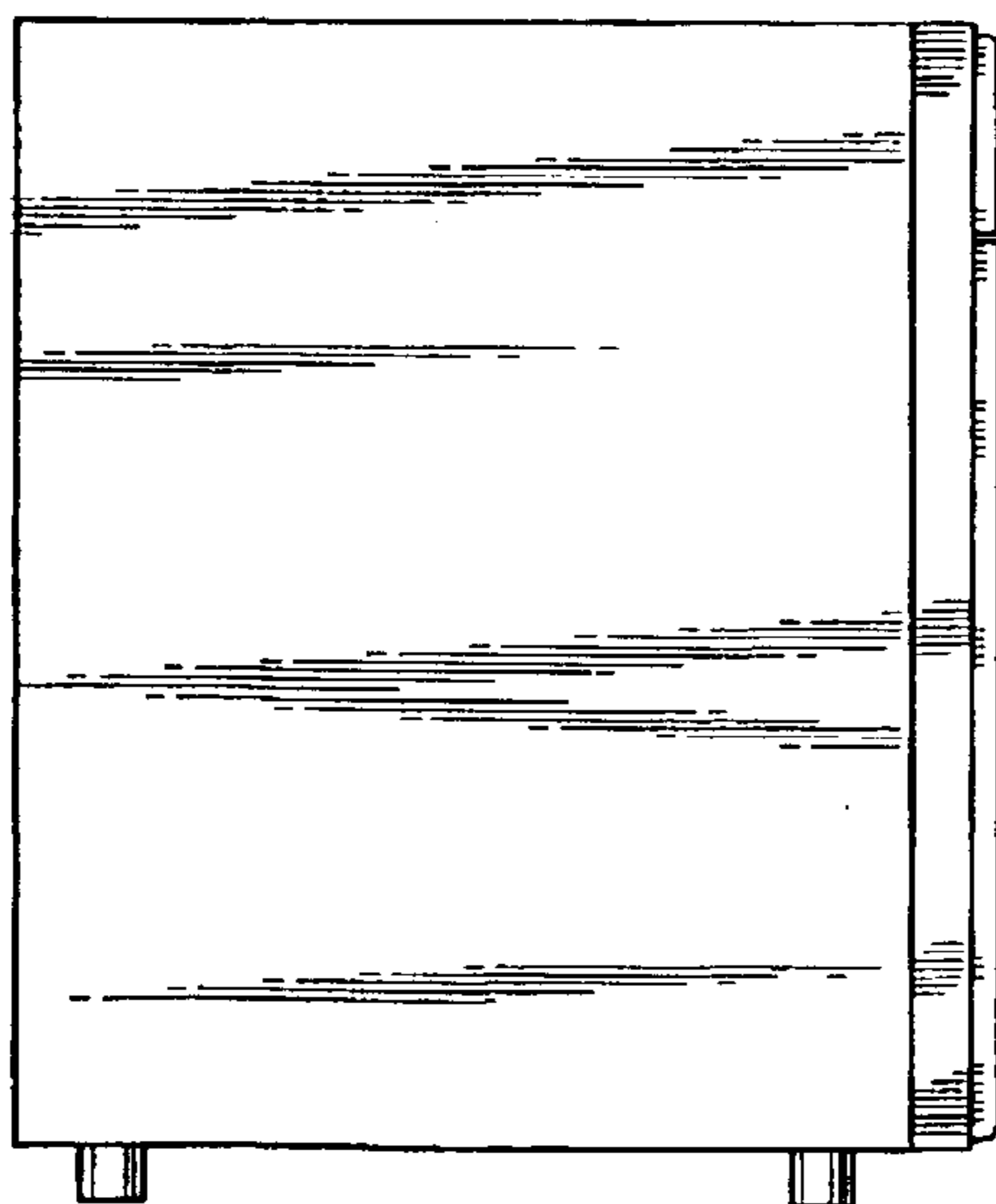


FIG. 7

