

US00D509398S

(12) **United States Design Patent**
Grcic

(10) **Patent No.:** **US D509,398 S**

(45) **Date of Patent:** **** Sep. 13, 2005**

(54) **TOASTER OVEN**

(75) **Inventor:** **Konstantin Grcic, Munich (DE)**

(73) **Assignee:** **SEB, Selongey (FR)**

(**) **Term:** **14 Years**

(21) **Appl. No.:** **29/199,747**

(22) **Filed:** **Feb. 20, 2004**

(30) **Foreign Application Priority Data**

Aug. 20, 2003 (FR) 03 4117

(51) **LOC (8) Cl.** **07-02**

(52) **U.S. Cl.** **D7/350.4**

(58) **Field of Search** D7/350.1, 350.3,
D7/350.4, 351, 402, 405-406; 126/273 A,
275 R, 275 E, 19 M, 21 R; 219/756-758;
99/DIG. 14

(56) **References Cited**

U.S. PATENT DOCUMENTS

D323,953 S	*	2/1992	Kubo et al.	D7/351
D381,862 S	*	8/1997	Noda et al.	D7/351
D411,074 S	*	6/1999	Sakai et al.	D7/351
D426,102 S	*	6/2000	Hamada et al.	D7/351

D435,389 S	*	12/2000	Konno et al.	D7/351
D435,999 S	*	1/2001	Noda et al.	D7/351
D442,821 S	*	5/2001	Naganuma	D7/351
D455,932 S	*	4/2002	Noda et al.	D7/351
D463,198 S	*	9/2002	Nishikawa	D7/351
D476,846 S	*	7/2003	Piret	D7/351
D477,964 S	*	8/2003	Kanza	D7/351
D478,465 S	*	8/2003	Kanza	D7/351

* cited by examiner

Primary Examiner—Ruth McInroy

(74) *Attorney, Agent, or Firm*—Browdy and Neimark, P.L.L.C.

(57) **CLAIM**

The ornamental design for a toaster oven, as shown.

DESCRIPTION

FIG. 1 is a front view of a toaster oven in accordance with the present design;
FIG. 2 is a rear view thereof;
FIG. 3 is a left side view thereof;
FIG. 4 is a right side view thereof;
FIG. 5 is a top plan view thereof;
FIG. 6 is a bottom plan view thereof; and,
FIG. 7 is a perspective view thereof.

1 Claim, 7 Drawing Sheets

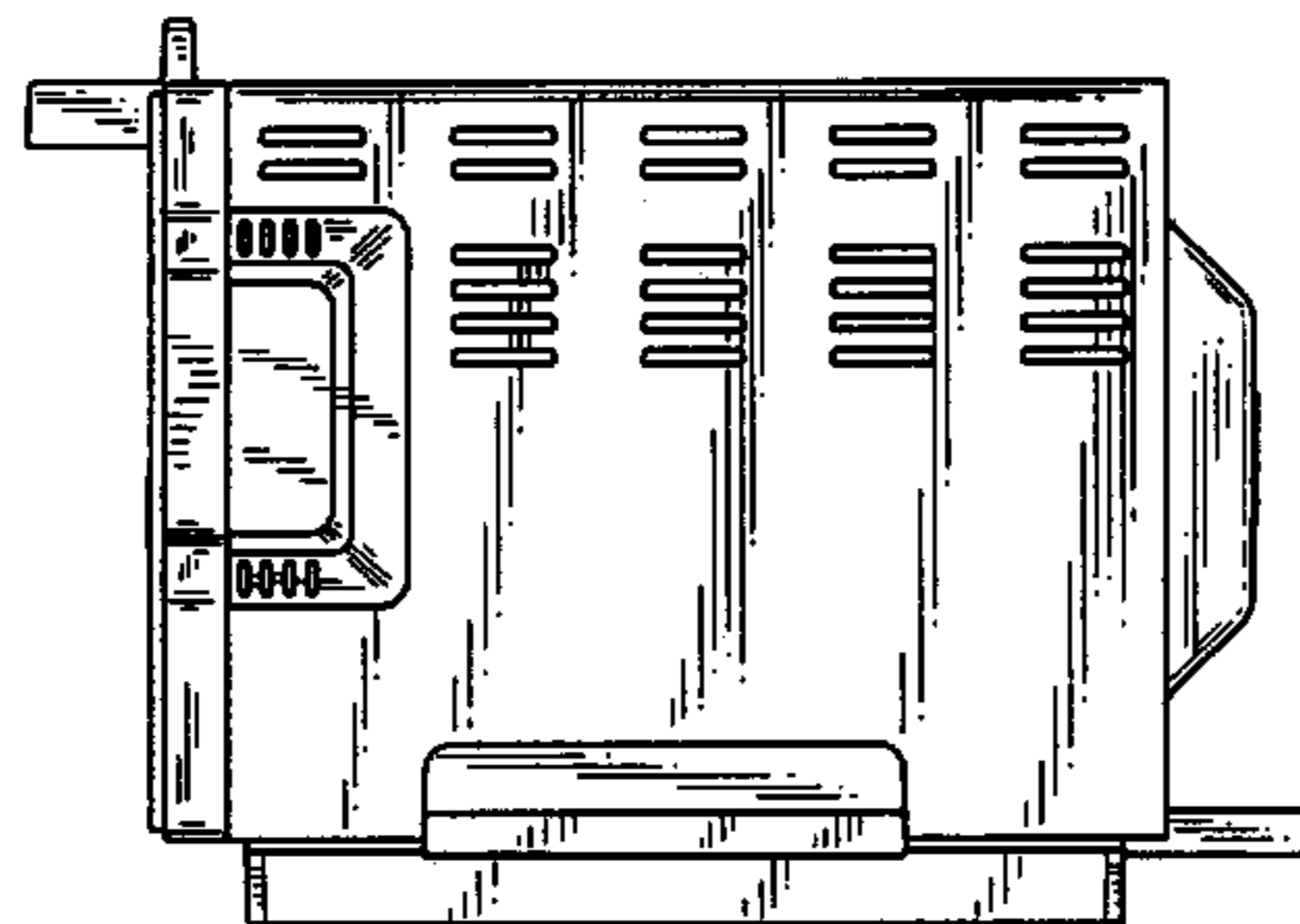
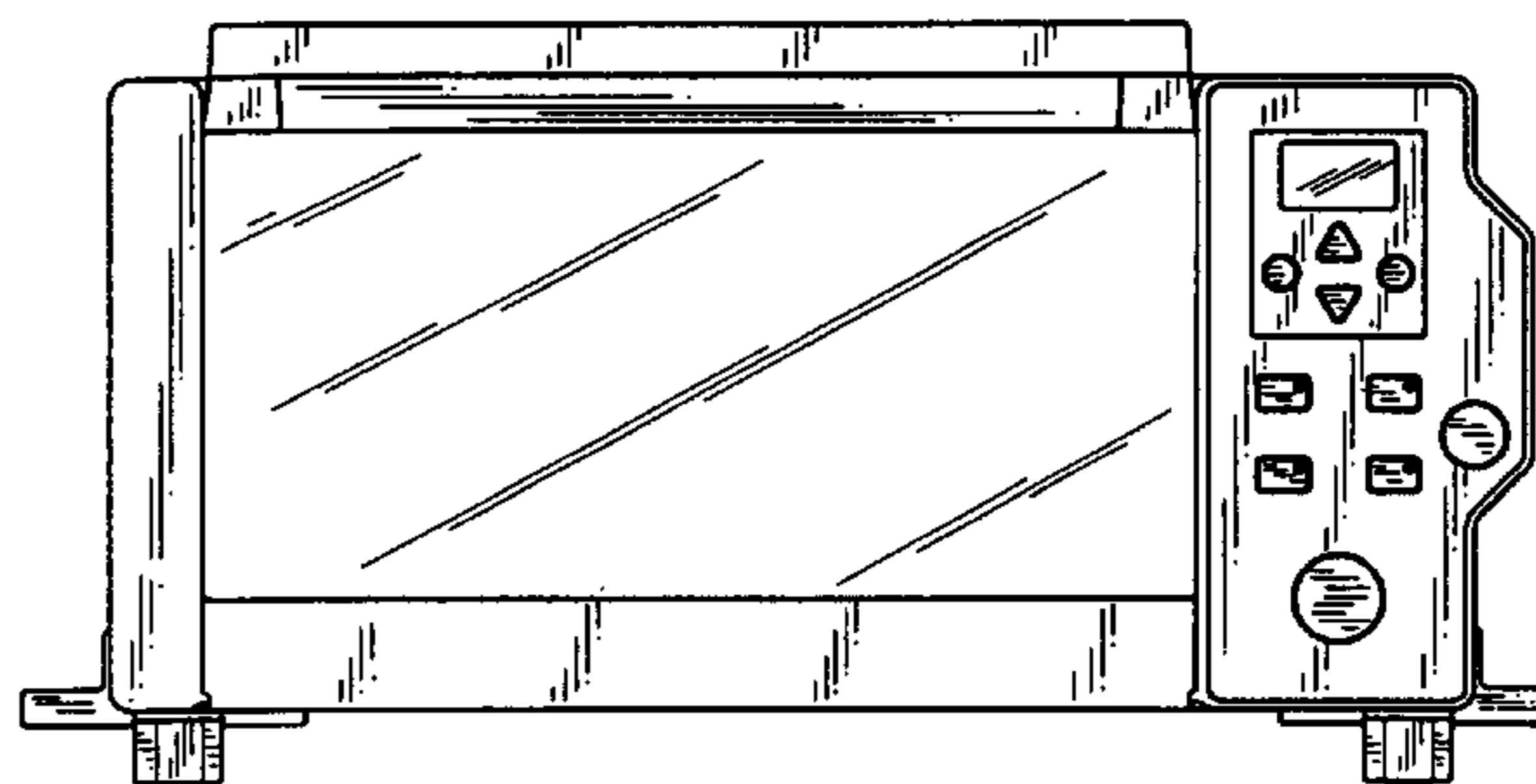
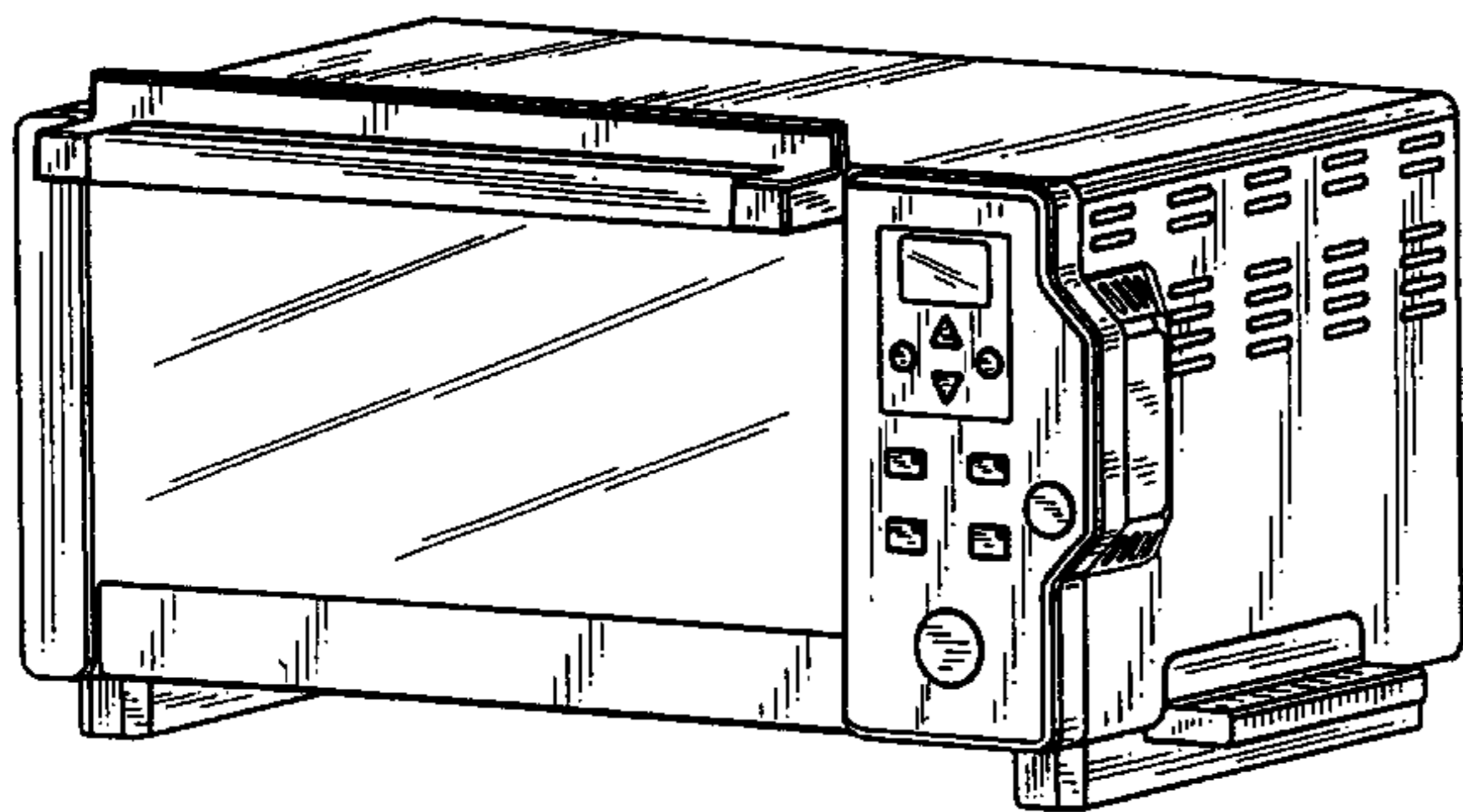


FIG. 1

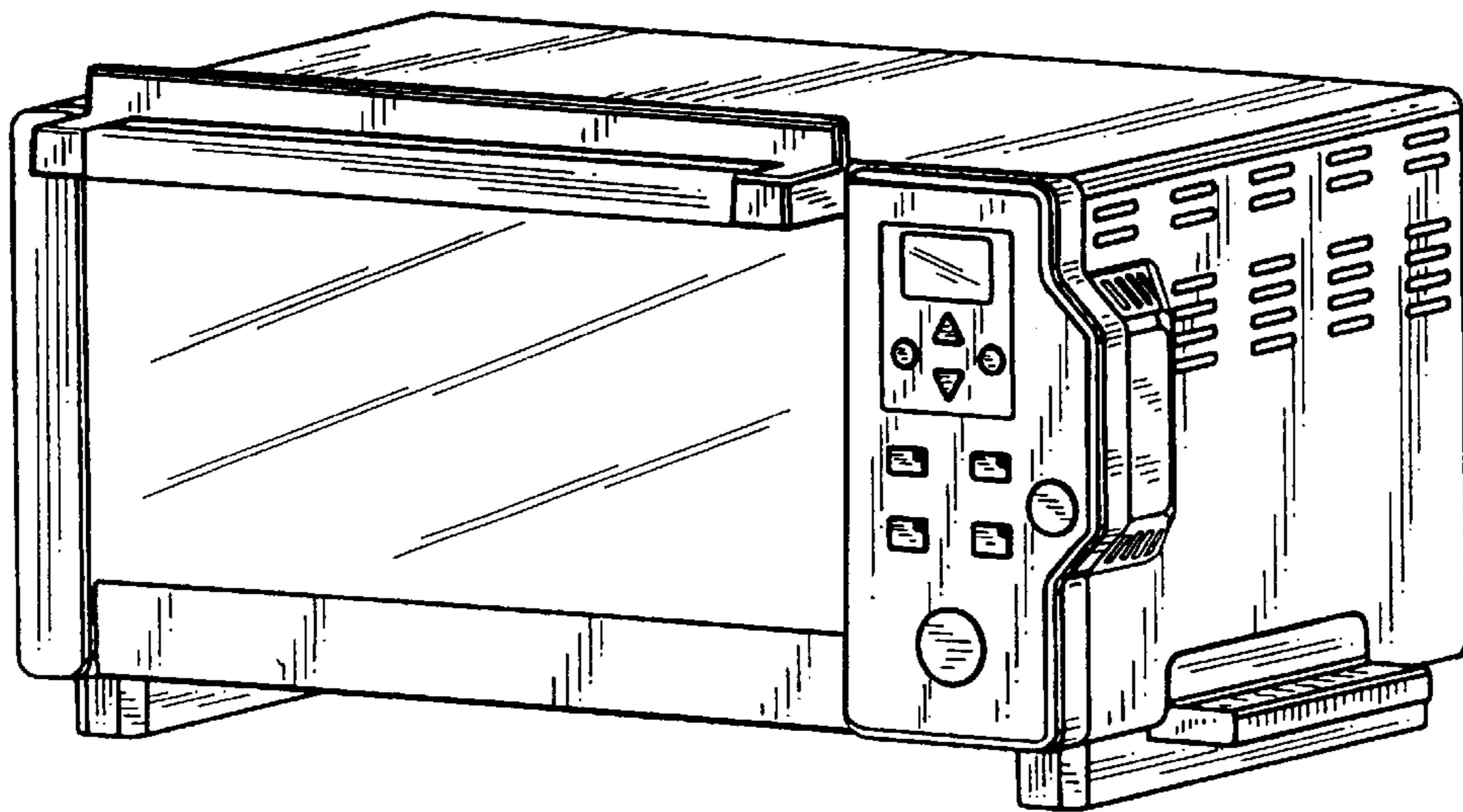


FIG. 2

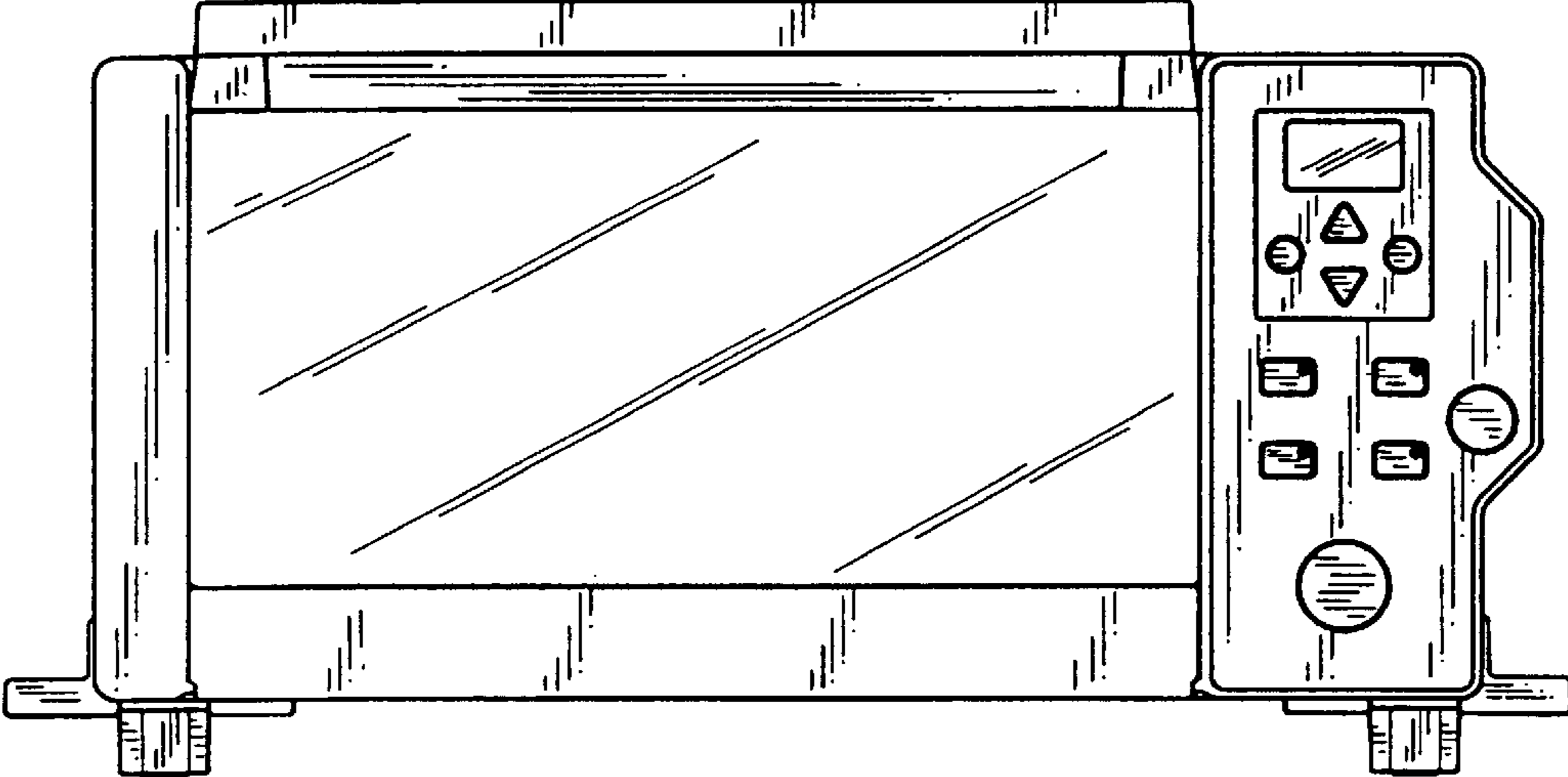


FIG. 3

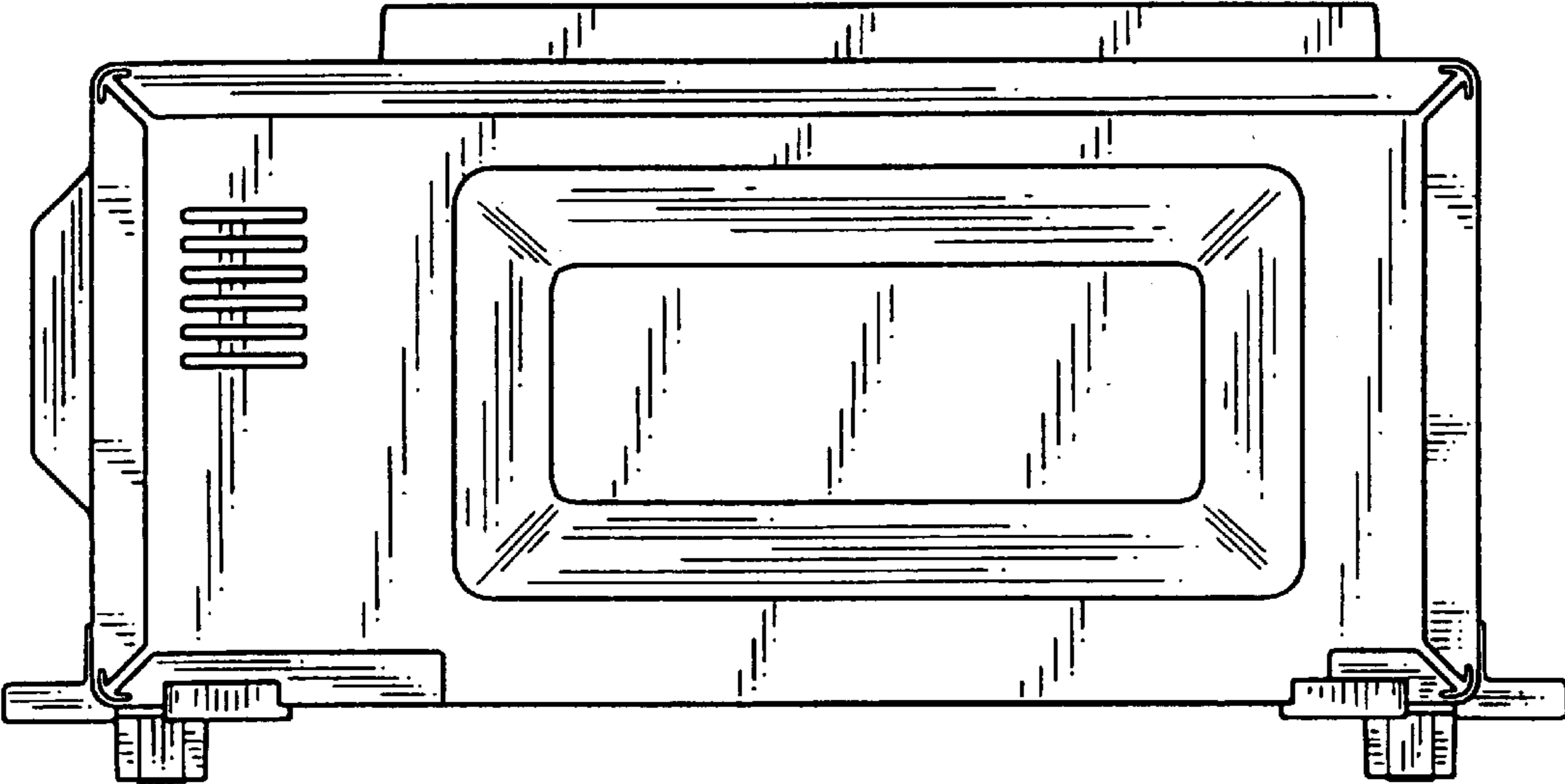


FIG. 4

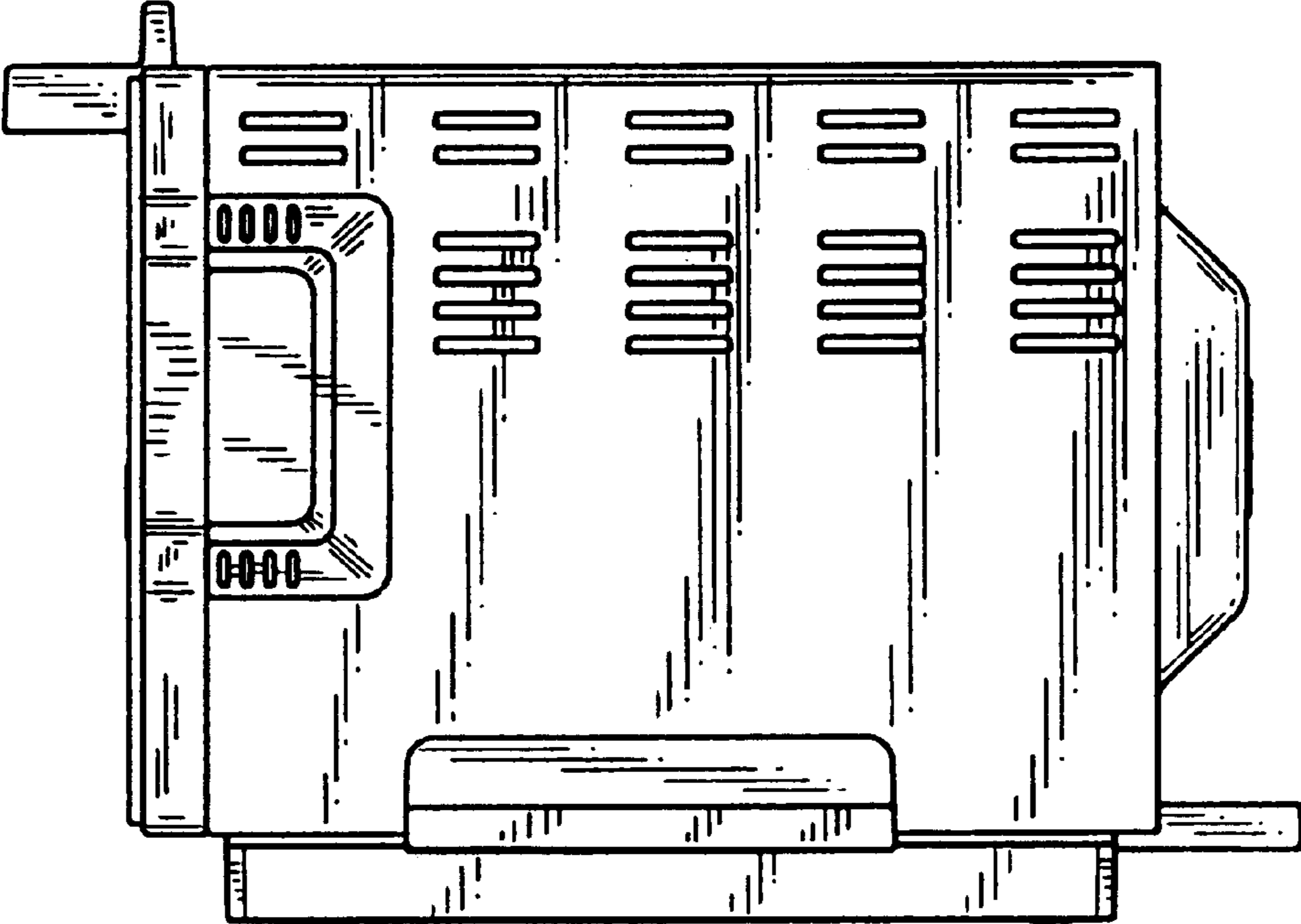


FIG. 5

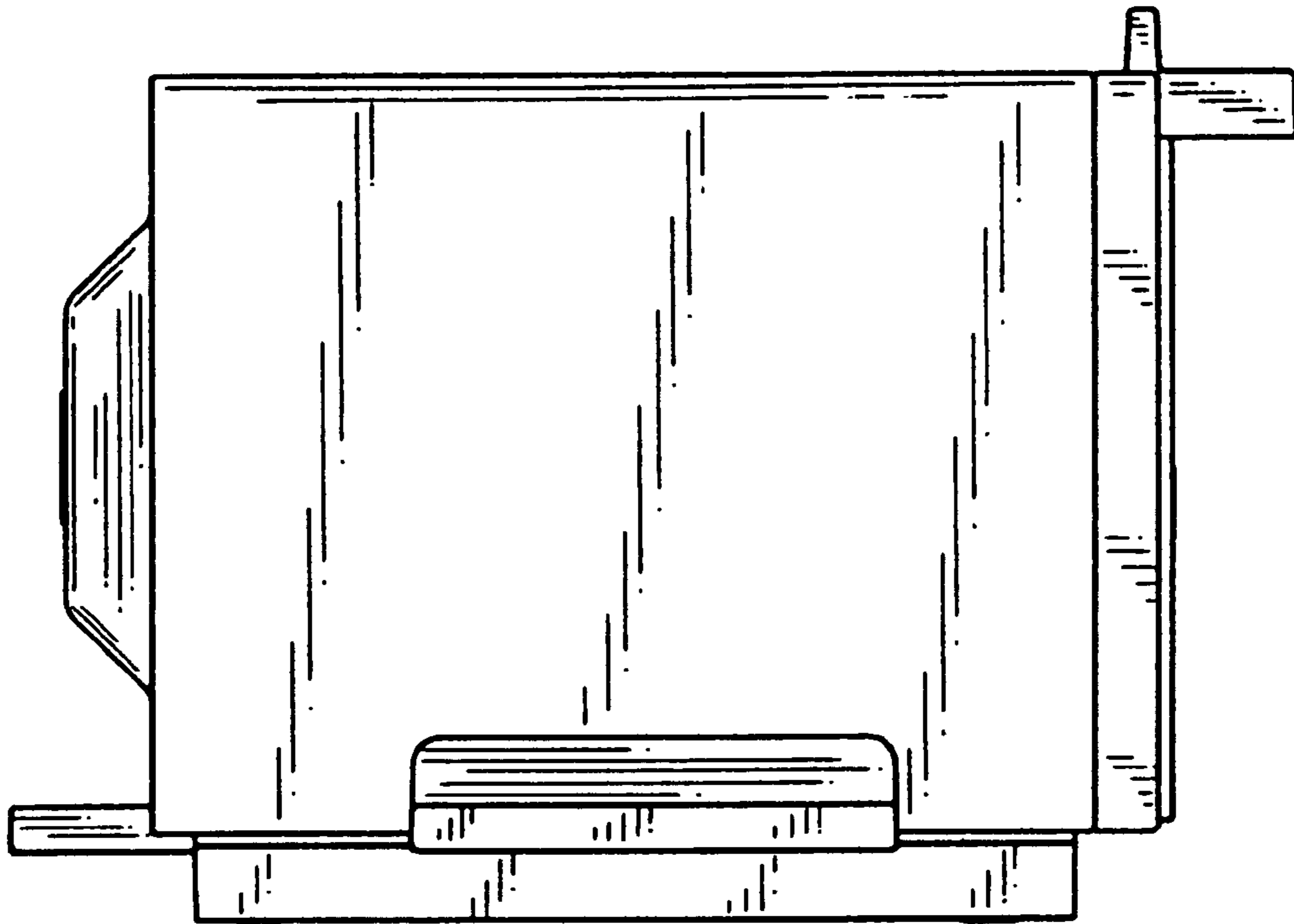


FIG. 6

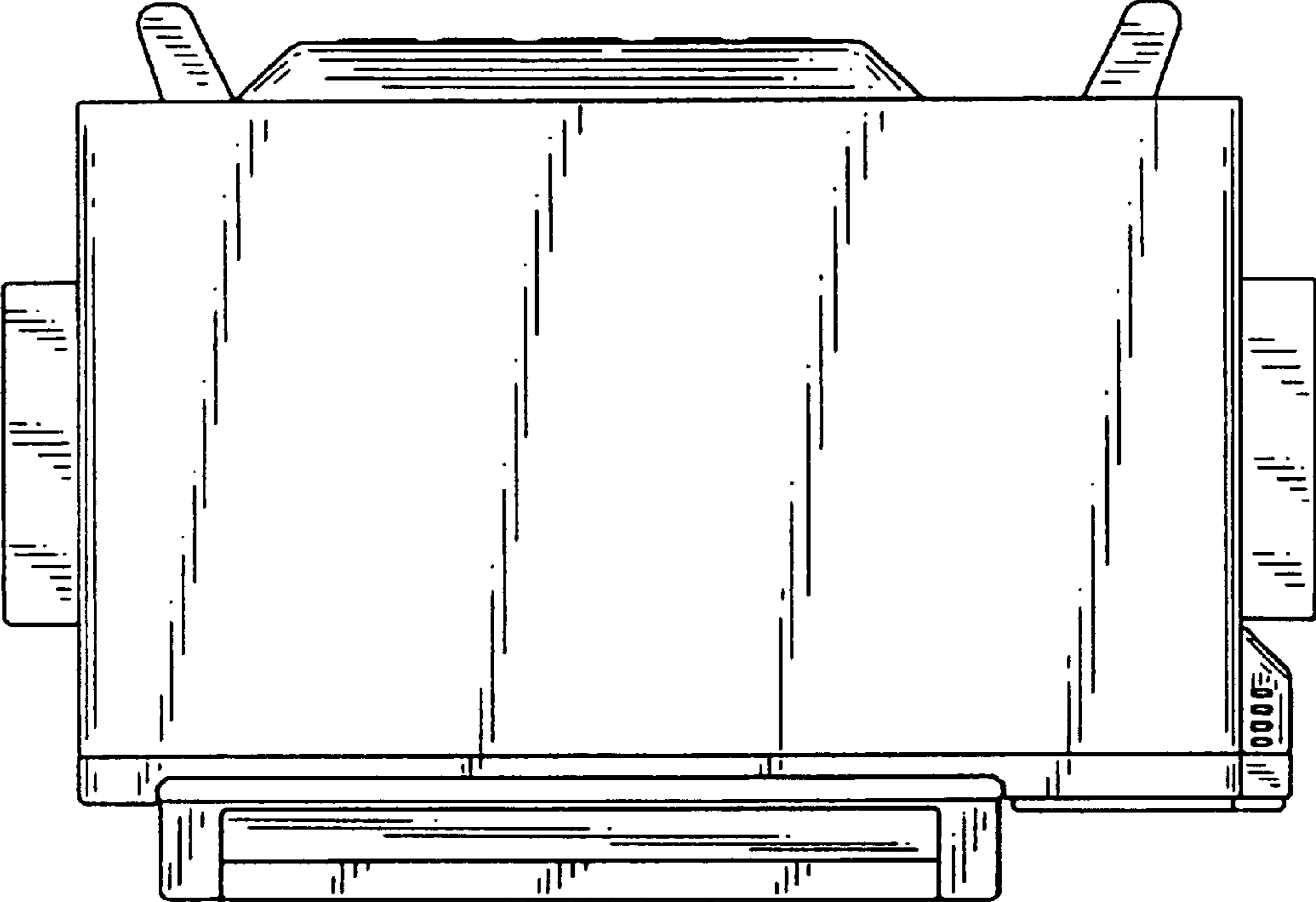


FIG. 7

