



US00D509397S

(12) **United States Design Patent**
Wong

(10) **Patent No.:** **US D509,397 S**

(45) **Date of Patent:** **** Sep. 13, 2005**

(54) **DISC STORAGE DEVICE**

(75) **Inventor:** **Kent Wong, Hong Kong (CN)**

(73) **Assignee:** **Sunhing Millenium Ltd., Kowloon (HK)**

(**) **Term:** **14 Years**

(21) **Appl. No.:** **29/215,986**

(22) **Filed:** **Oct. 28, 2004**

(51) **LOC (8) Cl.** **06-04**

(52) **U.S. Cl.** **D6/631**

(58) **Field of Search** D6/407, 629, 630,
D6/467, 468, 631, 632; 206/307.1, 308.1,
387.14; 211/40, 41.12; 312/9.1, 9.9, 9.47,
9.64

(56) **References Cited**

U.S. PATENT DOCUMENTS

5,101,972 A * 4/1992 Hunt et al. 206/308.1
D394,182 S * 5/1998 Woolrich D6/632

D450,519 S * 11/2001 Chung et al. D6/630
6,386,655 B1 * 5/2002 Hung et al. 312/9.42
D497,063 S * 10/2004 Dardashti D6/479
6,811,040 B2 * 11/2004 Payne et al. 211/41.18

* cited by examiner

Primary Examiner—Cathron C. Brooks

(74) *Attorney, Agent, or Firm*—Burns, Doane, Swecker & Mathis, LLP

(57) **CLAIM**

The ornamental design for a “disc storage device”, as shown and described.

DESCRIPTION

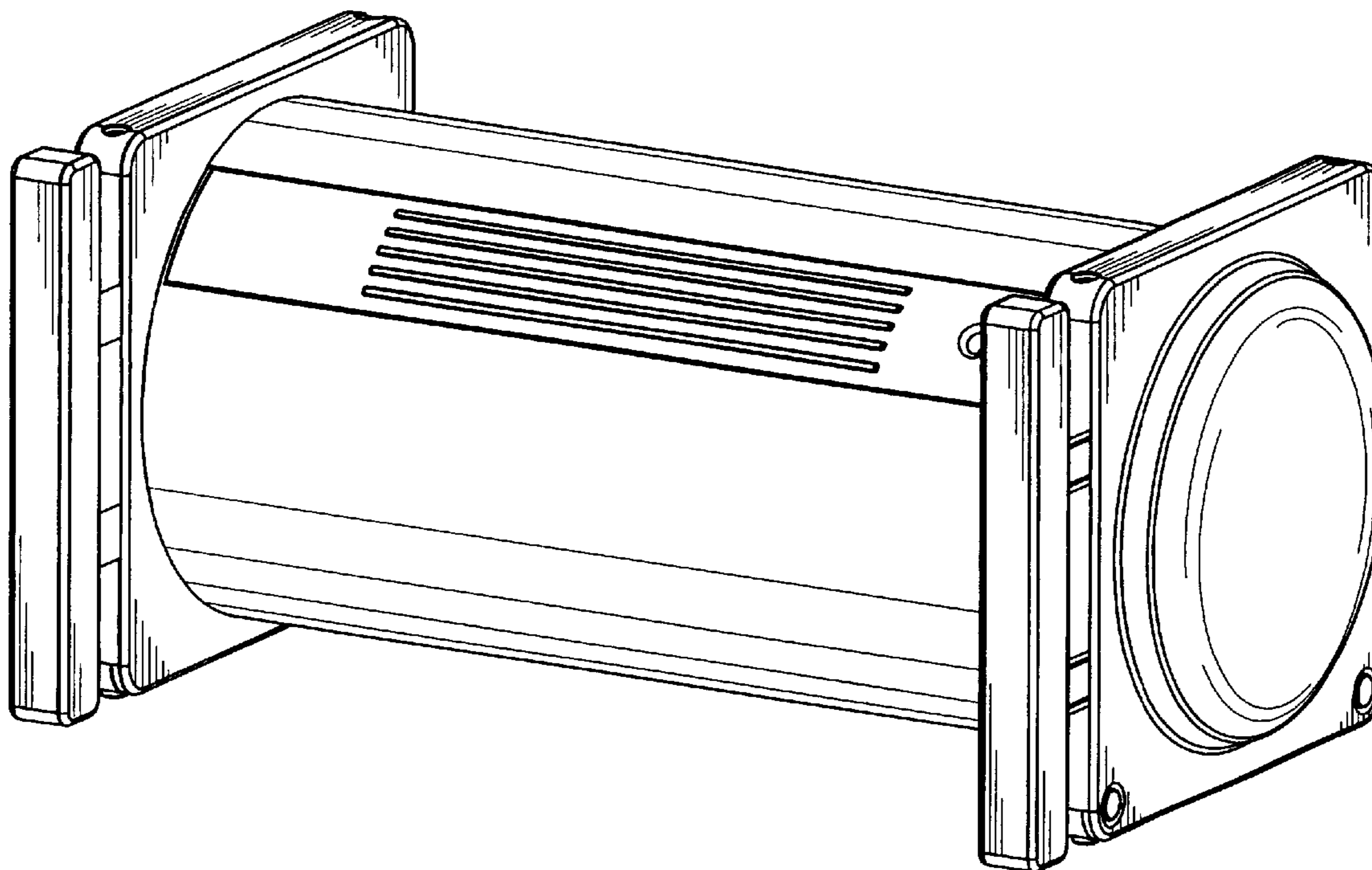
FIG. 1 is a front view of a “disc storage device” showing my design;

FIG. 2 is a left side view thereof, the right side view being a mirror image;

FIG. 3 is a top view thereof; and,

FIG. 4 is a perspective view thereof.

1 Claim, 2 Drawing Sheets



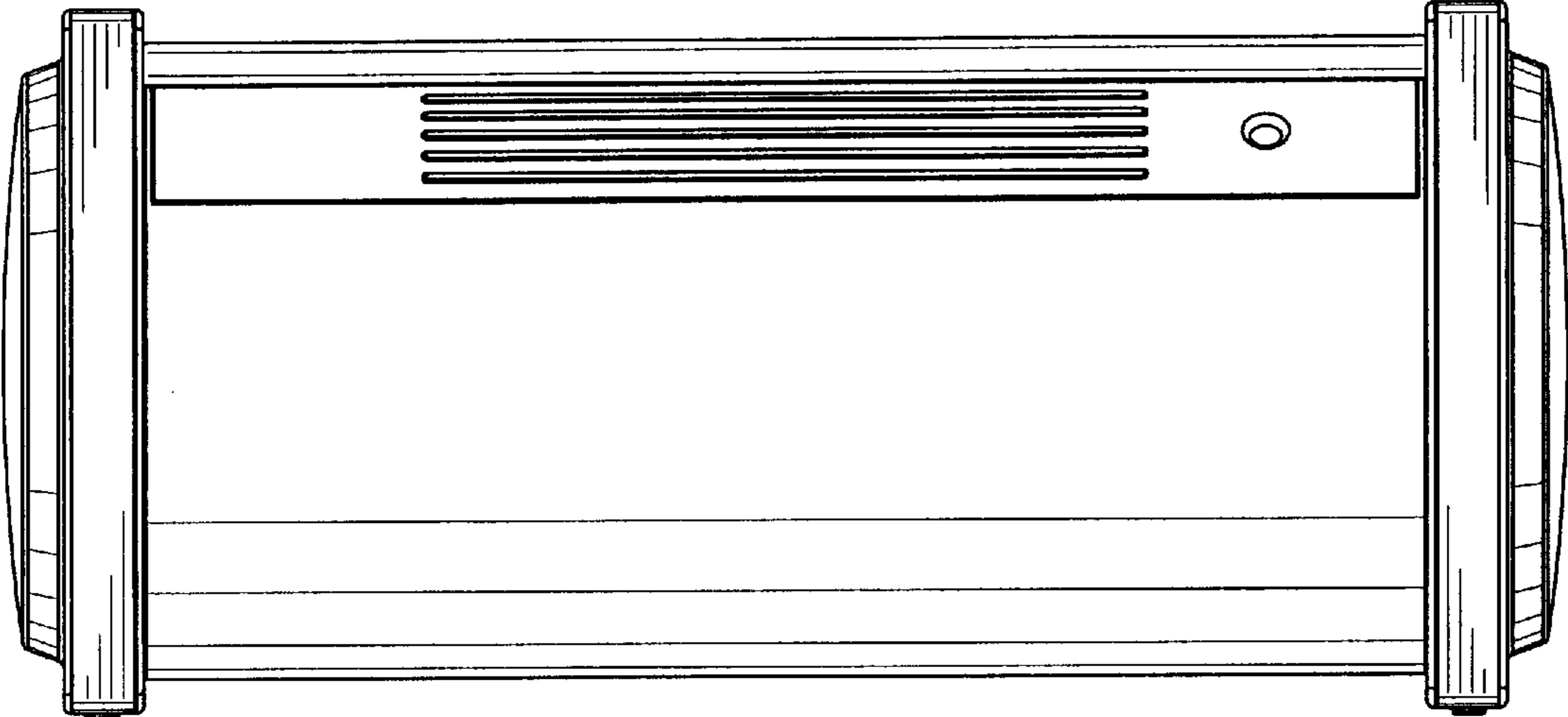


Fig. 1

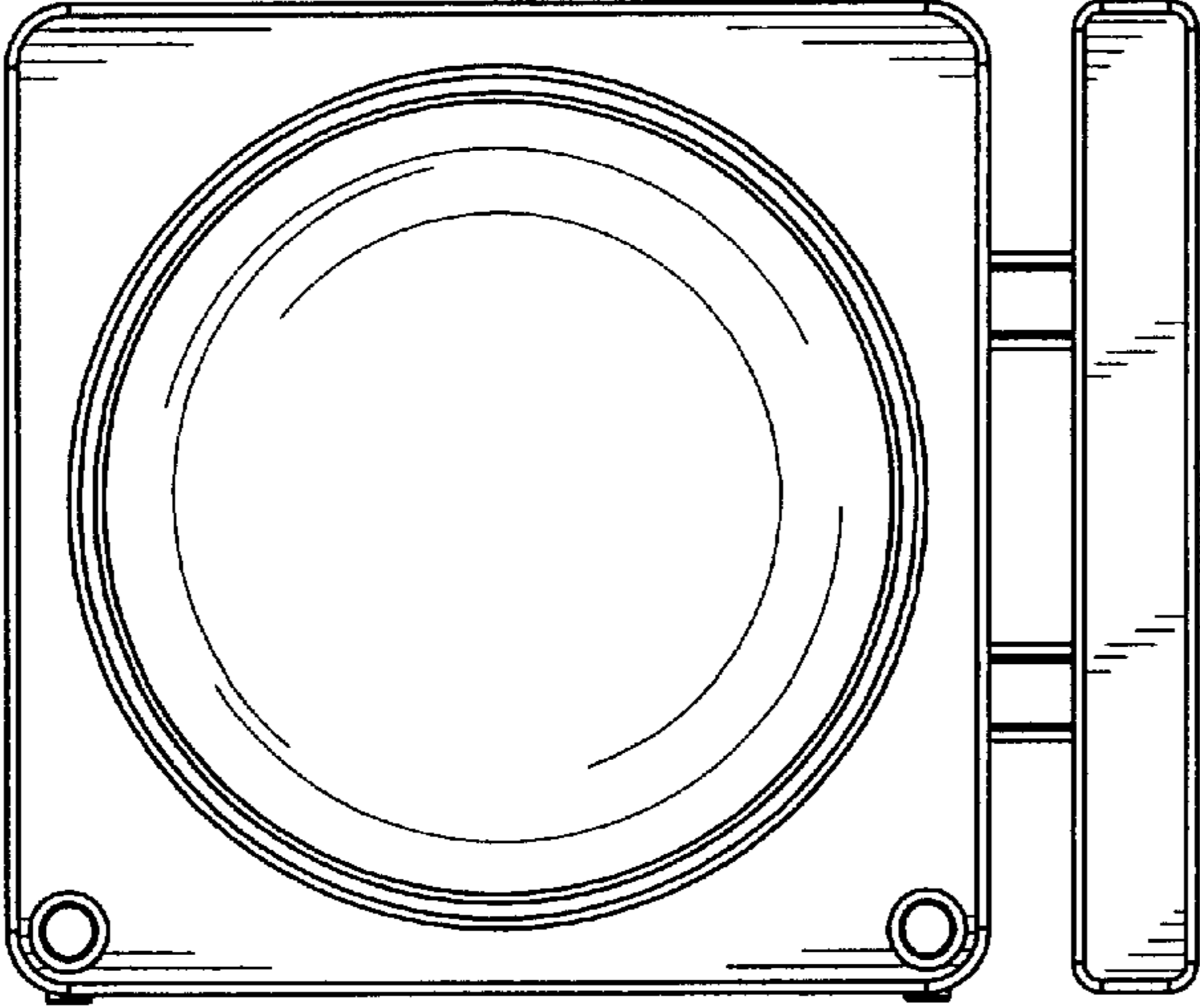


Fig. 2

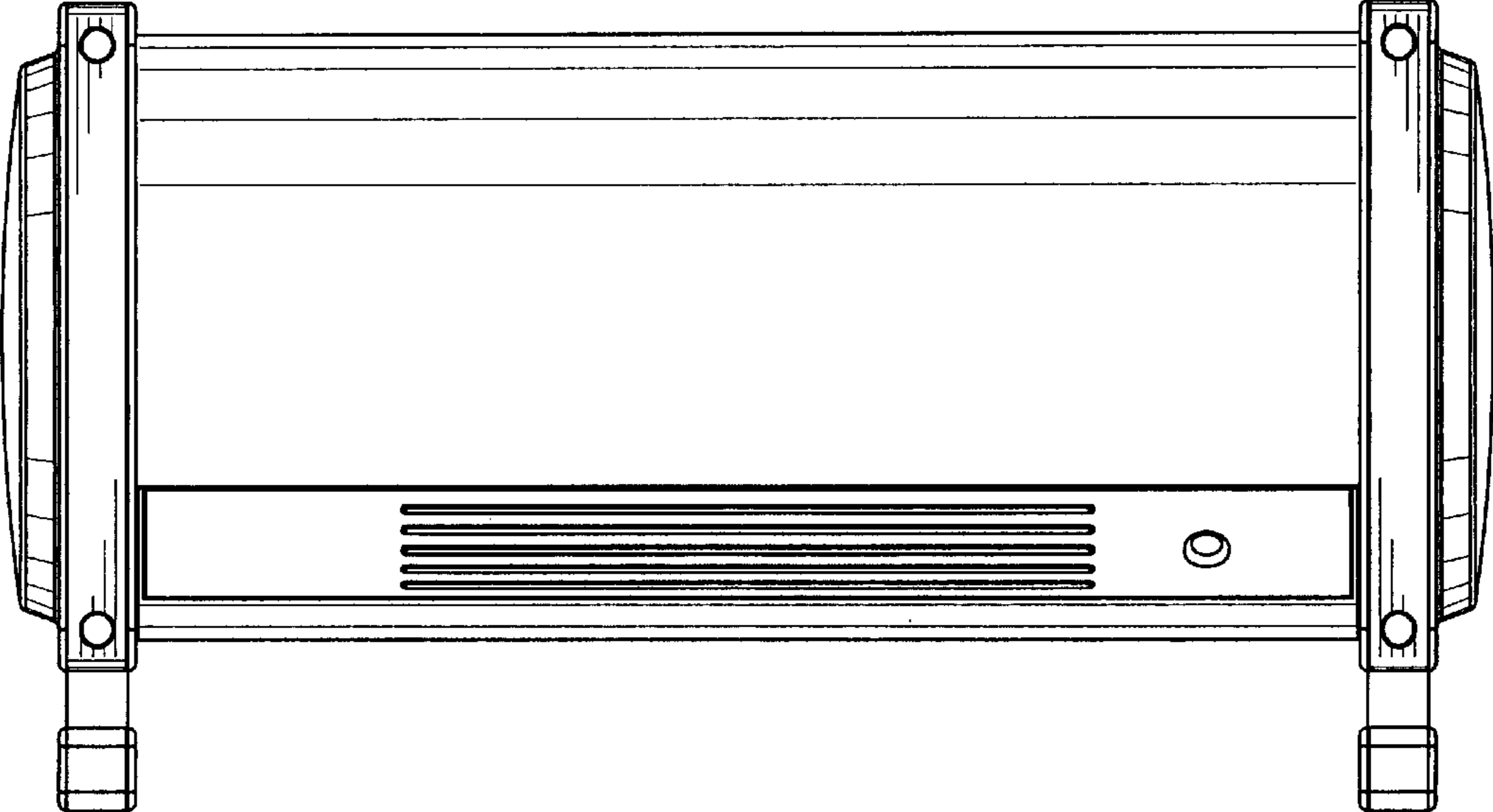


Fig. 3

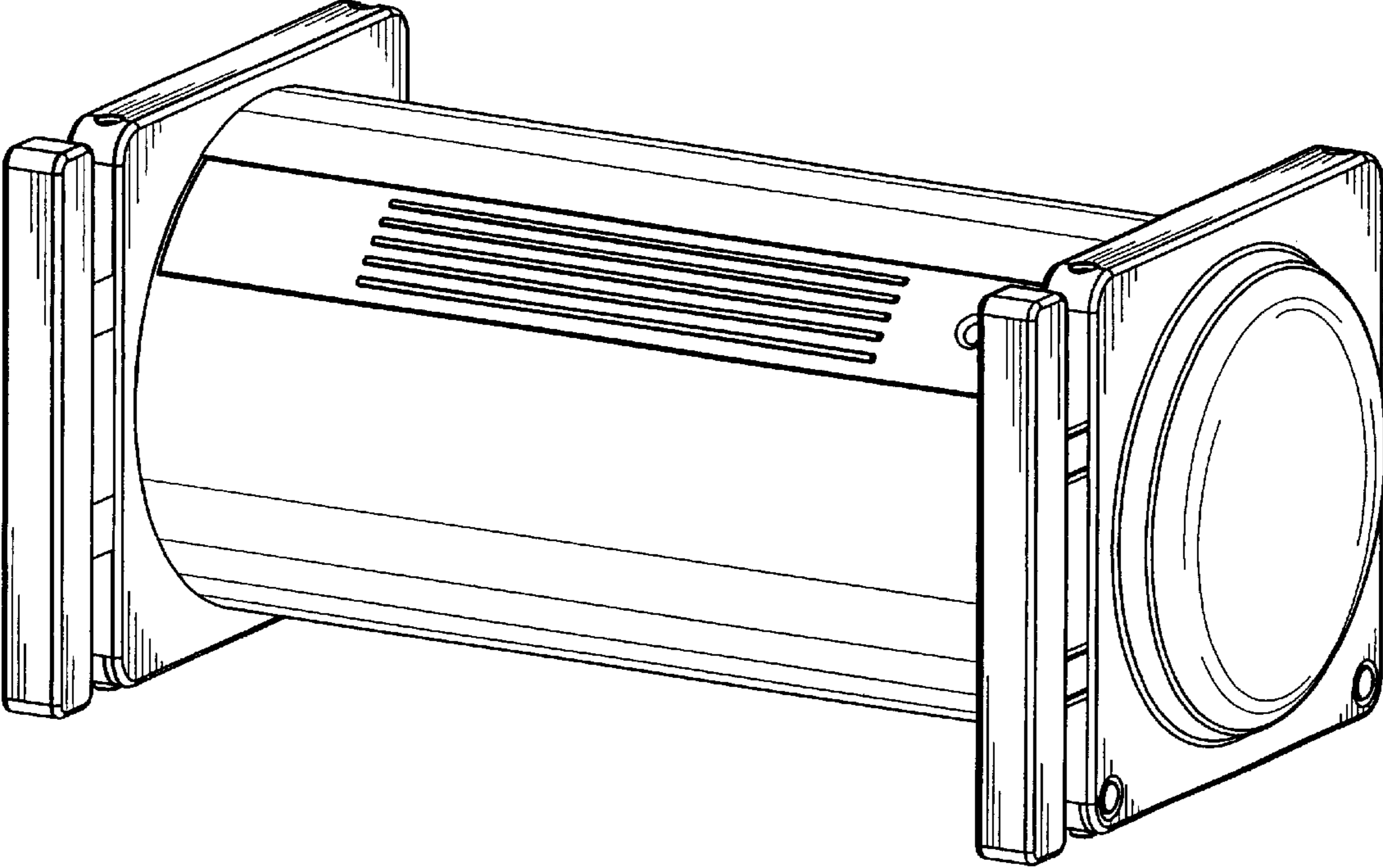


Fig. 4