

US00D509393S

(12) **United States Design Patent** (10) **Patent No.:** **US D509,393 S**
Winig et al. (45) **Date of Patent:** **** Sep. 13, 2005**

(54) **SHELF**

(75) Inventors: **Alan Winig**, Wynnewood, PA (US);
Richard Winig, Villanova, PA (US);
James Eldon, Barto, PA (US); **Lea Bogdan**, Philadelphia, PA (US)

(73) Assignee: **SS3 Storage Systems, LLC**,
Wilmington, DE (US)

(**) Term: **14 Years**

(21) Appl. No.: **29/192,164**

(22) Filed: **Oct. 20, 2003**

(51) **LOC (8) Cl.** **06-04**

(52) **U.S. Cl.** **D6/574**

(58) **Field of Search** D6/553, 567, 552,
D6/572, 574; 211/70.6, 70.7, 65-66, 68;
D3/228

D299,687 S * 2/1989 Handler et al. D6/574
D301,000 S * 5/1989 Christiansen D6/574
4,905,951 A 3/1990 Putness
4,936,565 A 6/1990 Fredrickson
D312,936 S * 12/1990 Lim D6/552
5,005,710 A 4/1991 Hofer
5,201,430 A 4/1993 Artzer
5,224,609 A 7/1993 Bauer et al.
5,337,987 A 8/1994 Sawatsky
5,482,168 A 1/1996 Welch et al.
5,515,969 A 5/1996 Schonenbach
5,573,111 A 11/1996 Gordon et al.
D385,140 S * 10/1997 Whitehead et al. D6/574
5,690,684 A 11/1997 Andrews et al.
5,706,936 A 1/1998 Bernstein
5,711,419 A 1/1998 Beales et al.
5,711,435 A 1/1998 Morison et al.
D392,144 S * 3/1998 Vogler D6/574
5,738,228 A 4/1998 Bittinger
D394,775 S * 6/1998 Anderson et al. D6/574
5,855,274 A 1/1999 Piao
5,909,936 A 6/1999 Daniels et al.
5,915,307 A 6/1999 Tisbo et al.
5,915,572 A 6/1999 Hancock
5,970,663 A 10/1999 McDonough
6,000,912 A 12/1999 Takada et al.

(56) **References Cited**

U.S. PATENT DOCUMENTS

1,958,772 A 5/1934 Stewart
1,992,857 A 2/1935 Breedlove
2,121,307 A 6/1938 Swift
2,785,919 A 3/1957 Grondzik
2,887,802 A 5/1959 Burmeister
2,956,687 A 10/1960 Robichaud
2,995,256 A 8/1961 Schoenfisch
3,063,569 A 11/1962 Huber
3,565,020 A 2/1971 Schier et al.
4,325,484 A 4/1982 Berry
4,340,144 A 7/1982 Cousins
4,407,476 A 10/1983 Bohannan
4,439,884 A 4/1984 Giorni
4,450,961 A 5/1984 Bies et al.
4,500,943 A 2/1985 Greene
4,508,301 A 4/1985 Nicholson et al.
4,516,681 A 5/1985 Jahel
4,597,496 A 7/1986 Kaplan
4,619,428 A 10/1986 Bailey
4,632,256 A 12/1986 Gambello
4,720,069 A 1/1988 Bessinger
4,771,897 A 9/1988 Ho

(Continued)

Primary Examiner—Brian N Vinson
(74) *Attorney, Agent, or Firm*—Duane Morris LLP

(57) **CLAIM**

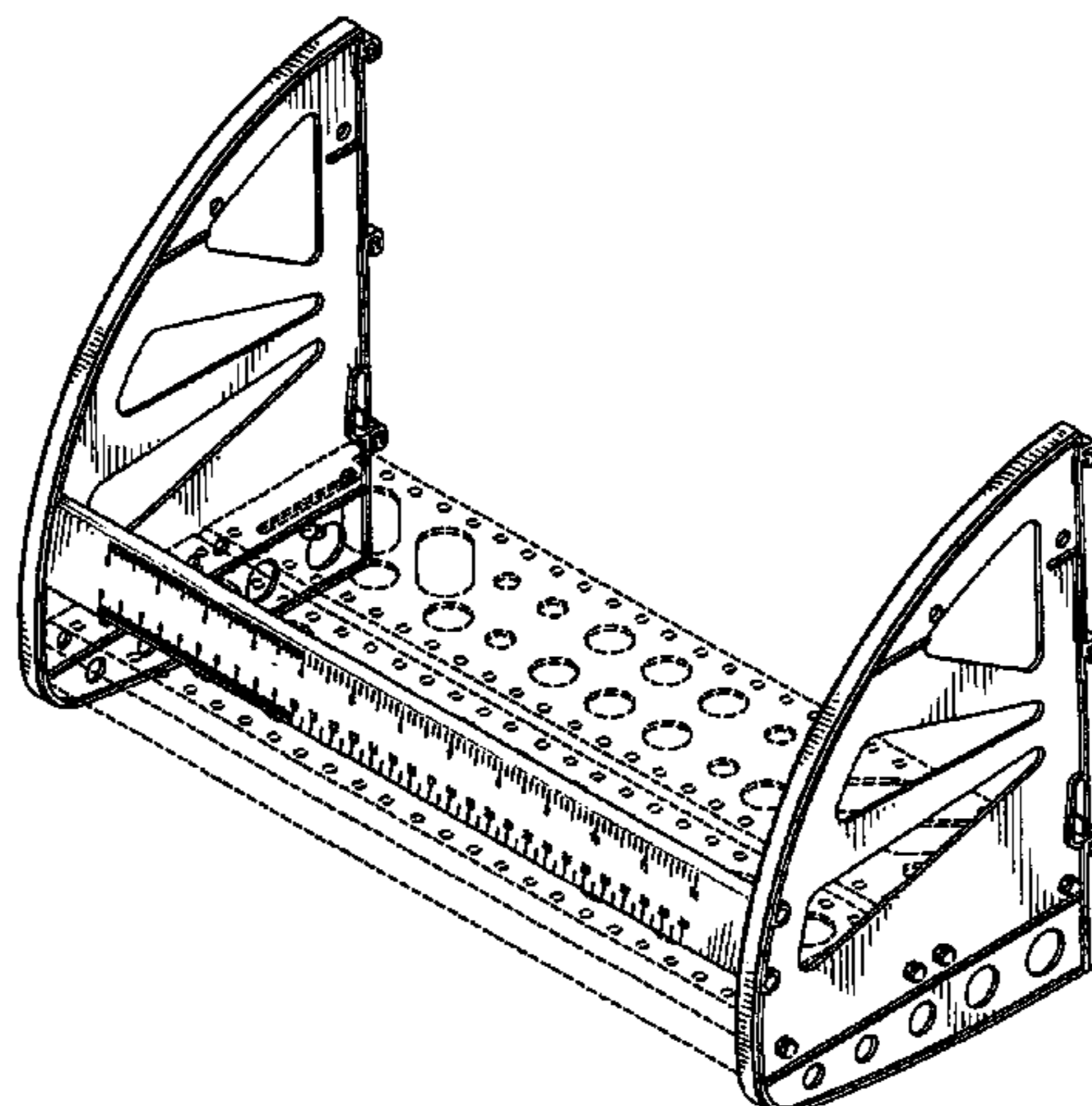
The ornamental design for a shelf, as shown and described.

DESCRIPTION

FIG. 1 is a front perspective view of the shelf according to the invention;
FIG. 2 is a front elevational view of the shelf;
FIG. 3 is a back elevational view of the shelf;
FIG. 4 is a top view of the shelf;
FIG. 5 is a bottom view of the shelf; and,
FIG. 6 is an end view of the shelf.

The broken line showing of structure is for illustrative purposes only and forms no part of the claimed design.

1 Claim, 6 Drawing Sheets



US D509,393 S

Page 2

U.S. PATENT DOCUMENTS

6,019,331 A	2/2000	Hoogland et al.	6,273,277 B1	8/2001	Geldenhuis
6,050,426 A	4/2000	Leurdijk	6,299,001 B1	10/2001	Frolov et al.
6,070,747 A	6/2000	Shea	6,450,338 B1	9/2002	Chen
6,250,466 B1	6/2001	Ernst	6,481,583 B1	11/2002	Black et al.
6,257,425 B1	7/2001	Liu	6,491,267 B1	12/2002	Feldman
6,273,255 B1	8/2001	Rosler			

* cited by examiner

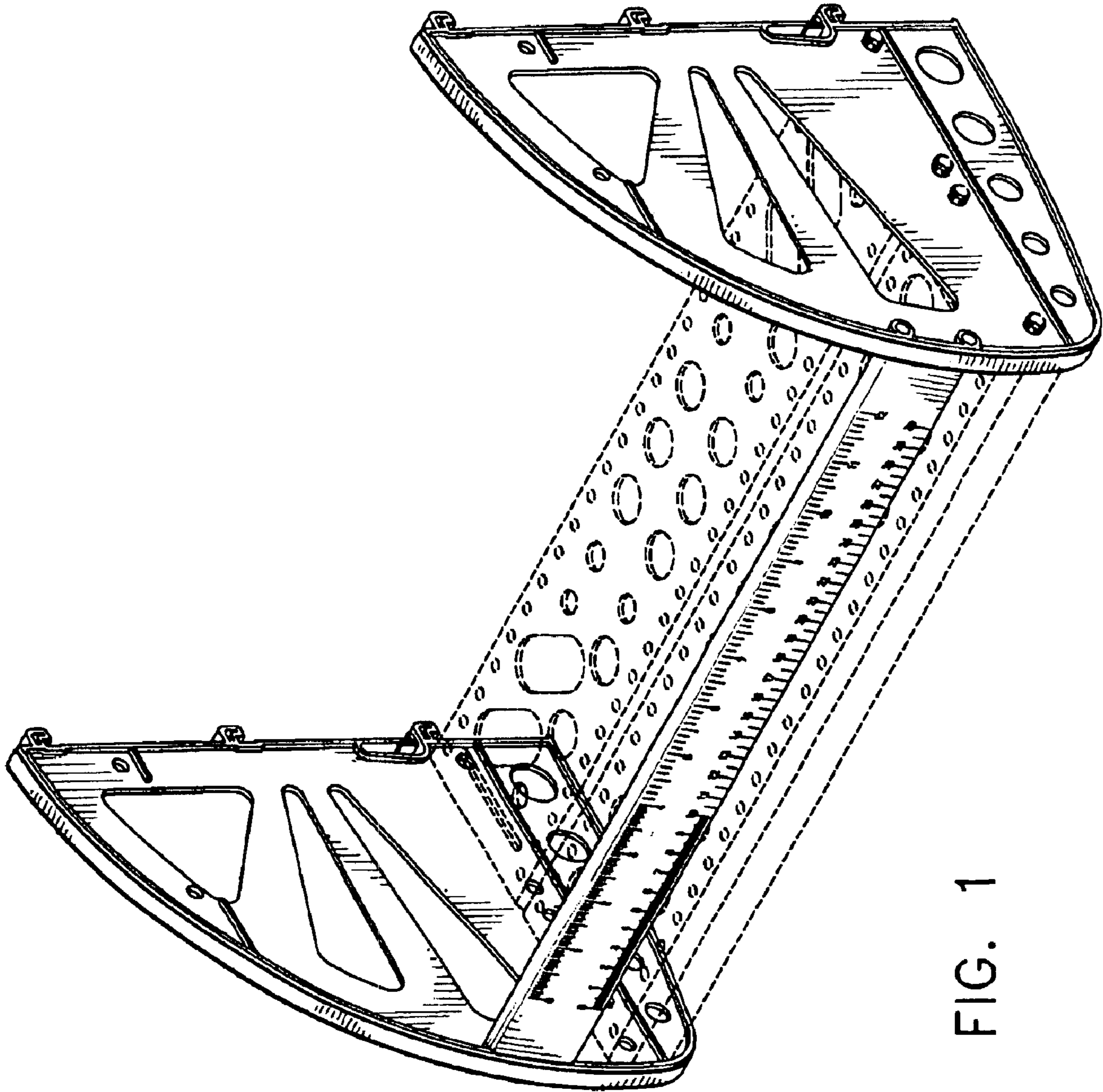


FIG. 1

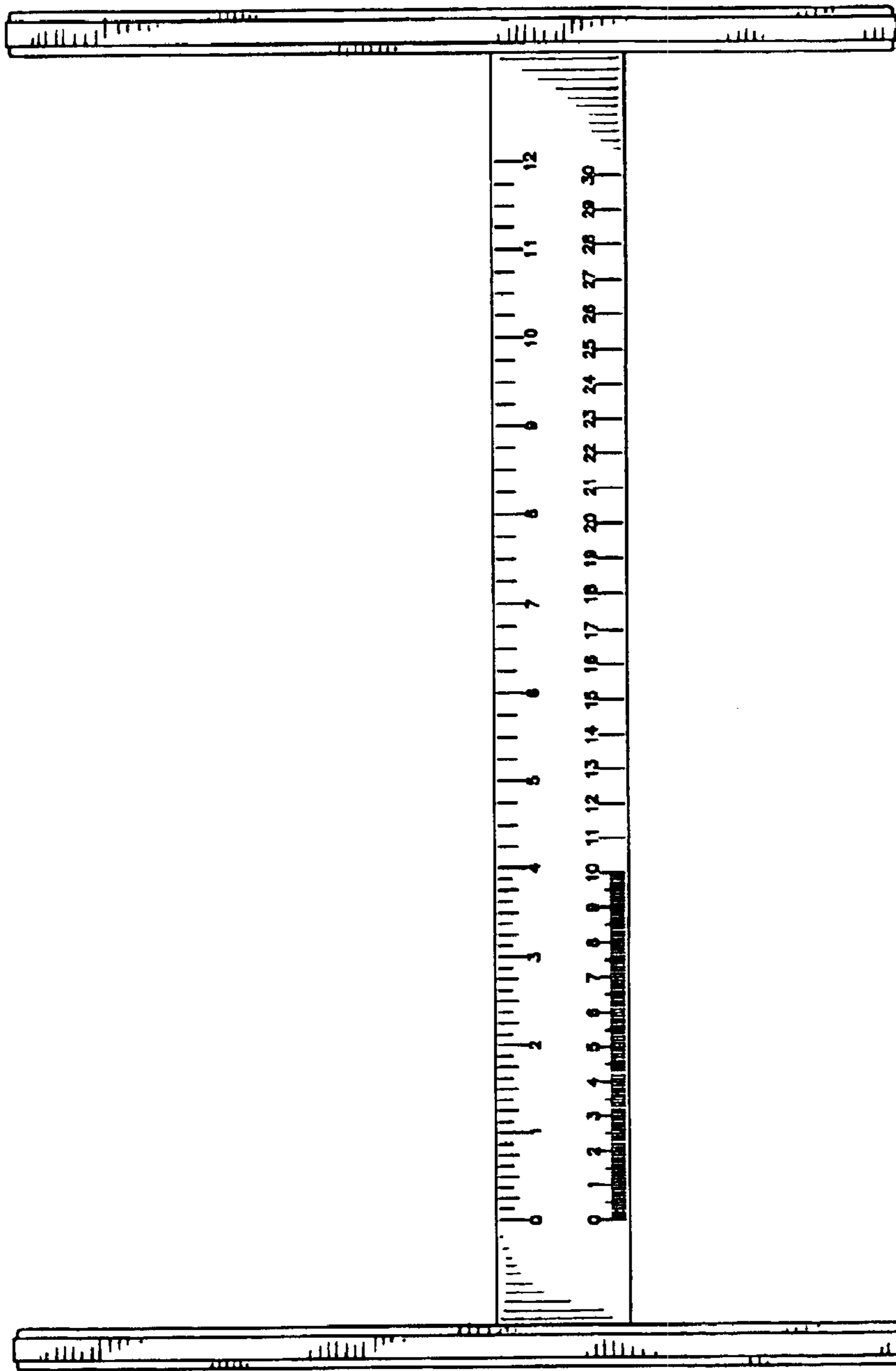


FIG. 2

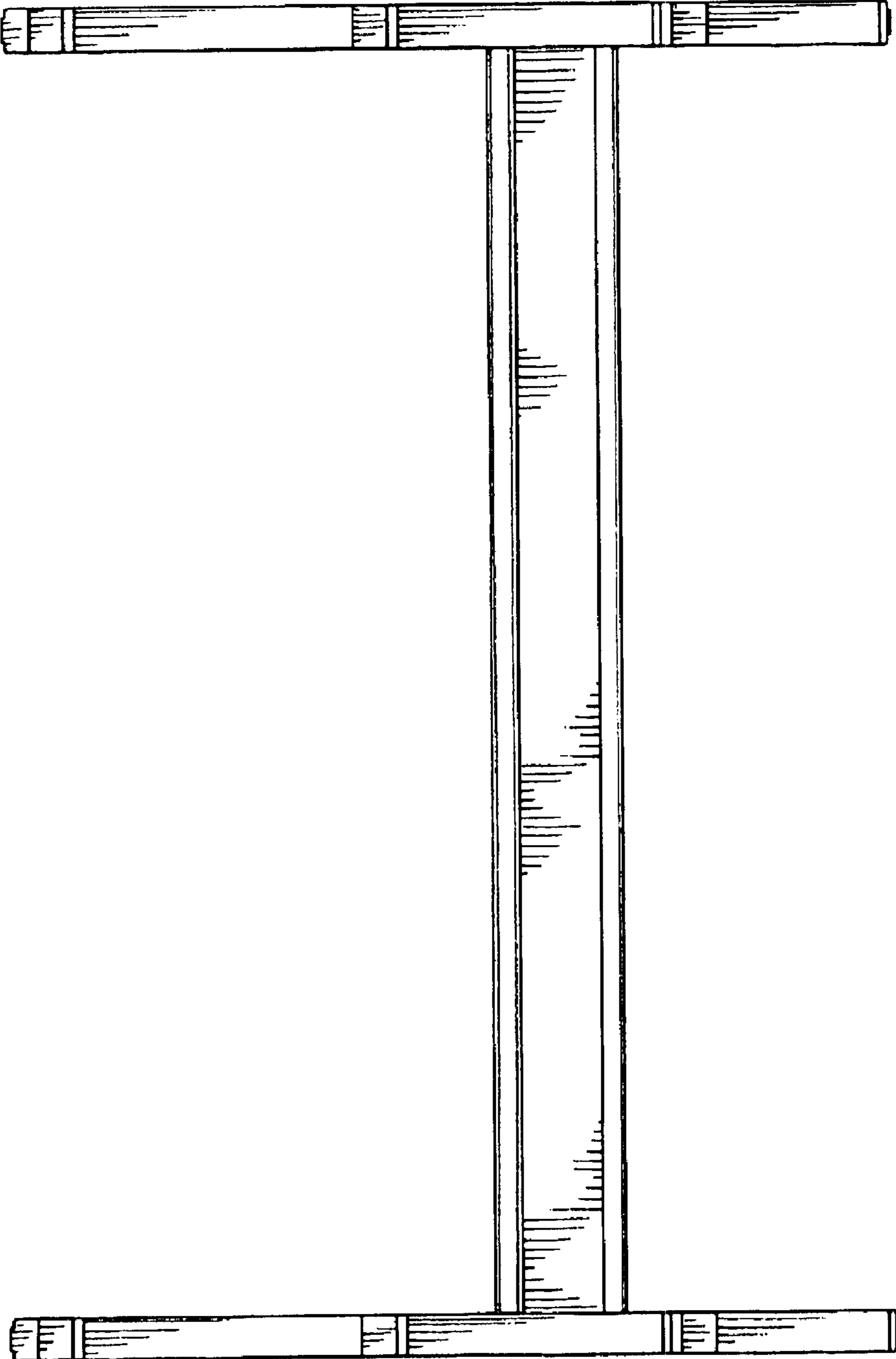


FIG. 3

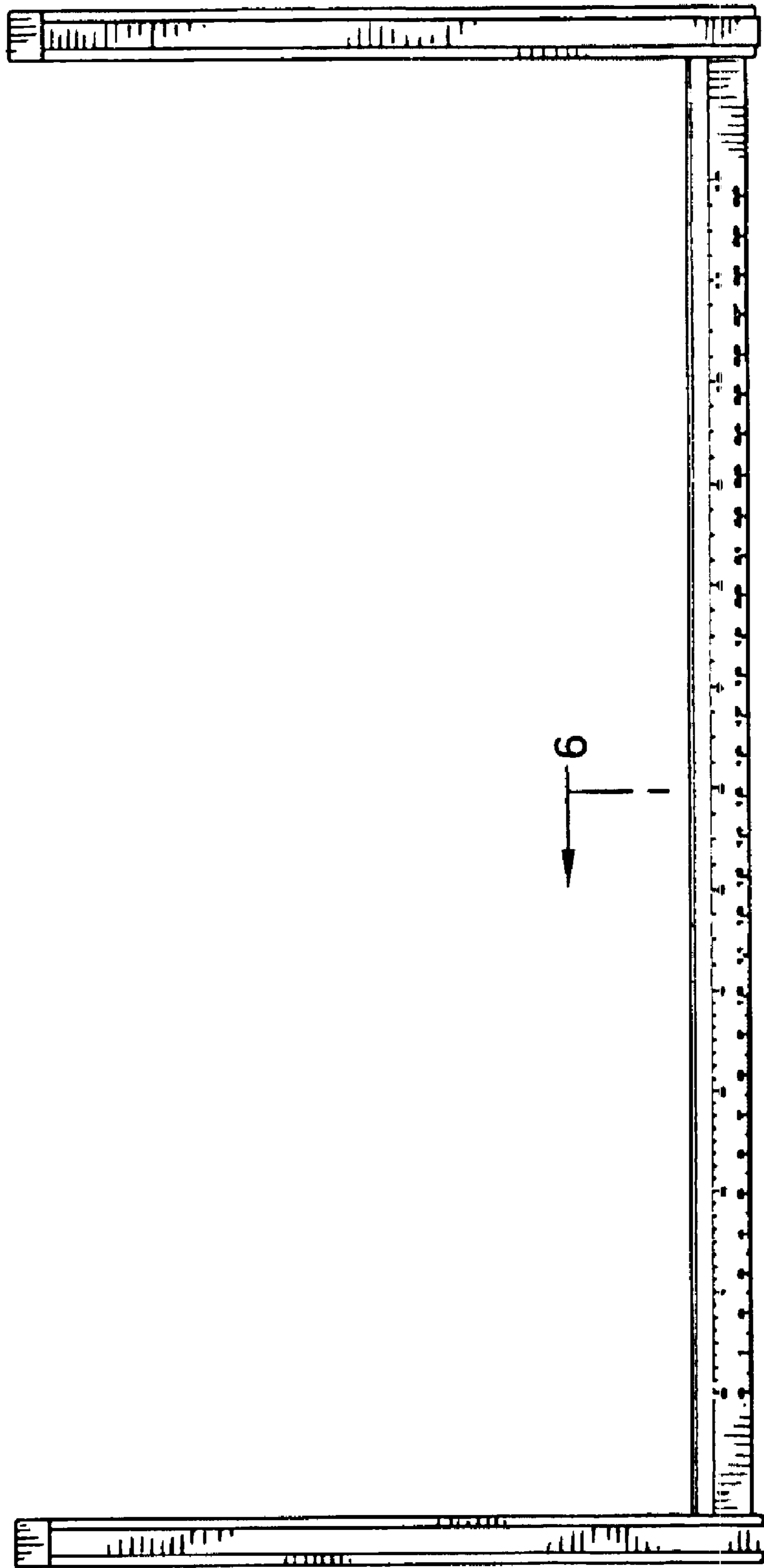


FIG. 4

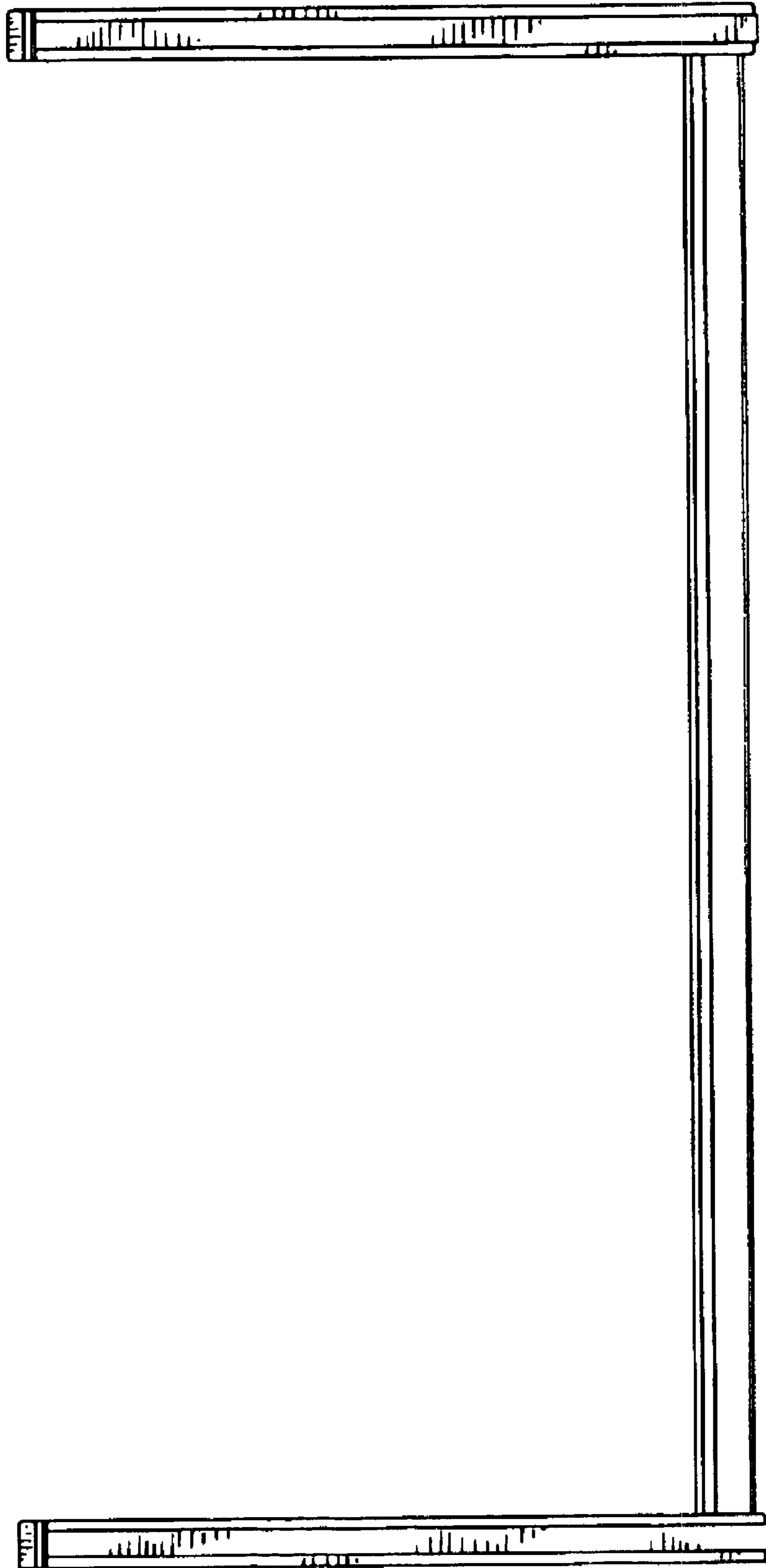


FIG. 5

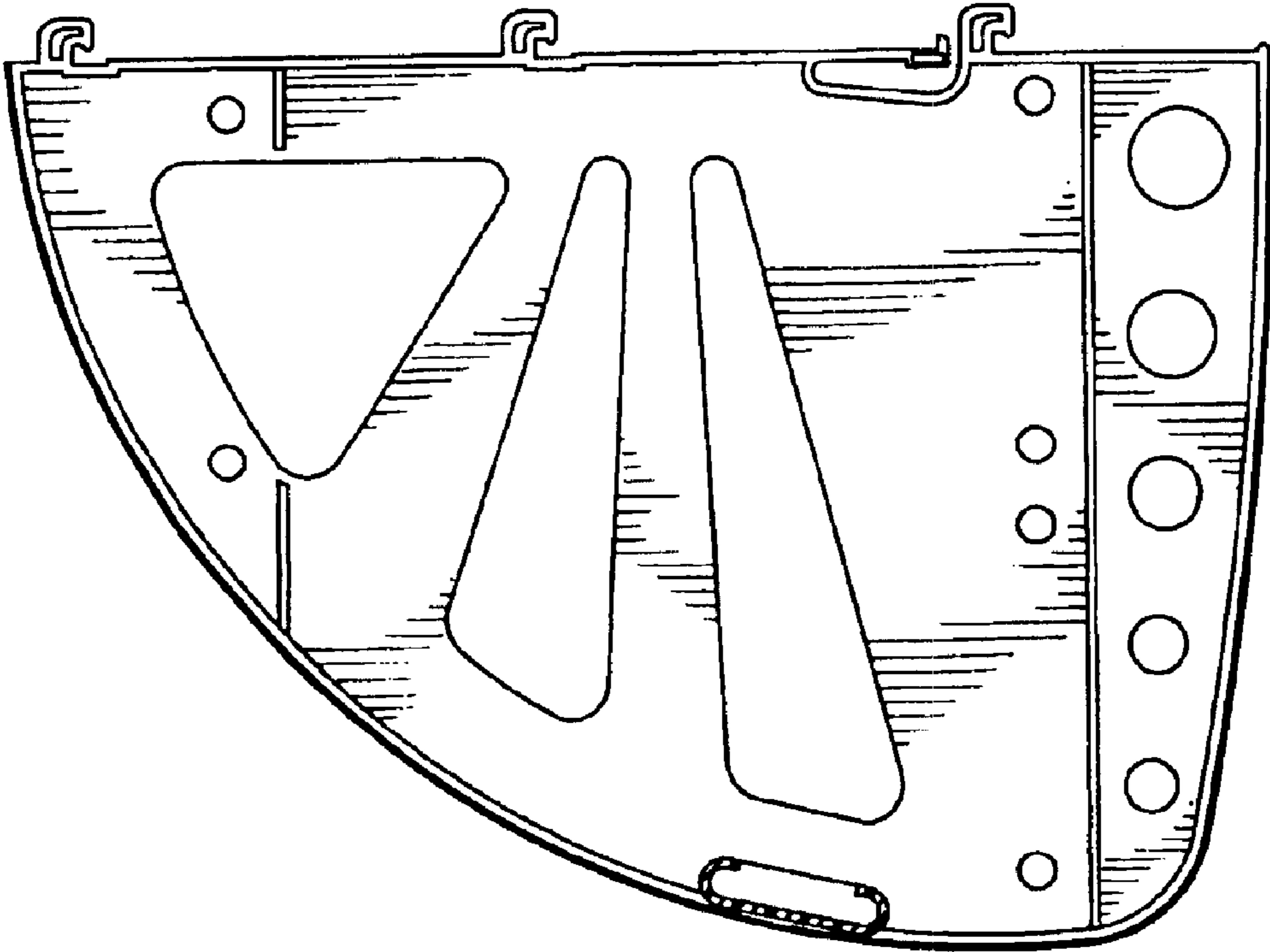


FIG. 6