

US00D509391S

(12) **United States Design Patent**
Hamori

(10) **Patent No.:** **US D509,391 S**

(45) **Date of Patent:** **** Sep. 13, 2005**

(54) **MOUNTABLE UNIVERSAL HOLDER**

D498,631 S * 11/2004 Anderson et al. D6/566

(76) **Inventor:** **Janos Hamori**, 415 N. Fuller Ave., Los Angeles, CA (US) 90036

* cited by examiner

Primary Examiner—Brian N Vinson

(**) **Term:** **14 Years**

(57) **CLAIM**

(21) **Appl. No.:** **29/186,313**

The ornamental design for a mountable universal holder, as shown and described.

(22) **Filed:** **Jul. 15, 2003**

DESCRIPTION

(51) **LOC (8) Cl.** **06-04**

(52) **U.S. Cl.** **D6/553**

(58) **Field of Search** D6/553, 567, 569,
D6/572; D8/349, 354, 367, 380; 211/13.1,
60.1, 86.01, 87.01, 89.01, 90.04; 248/304,
309.1, 316.1

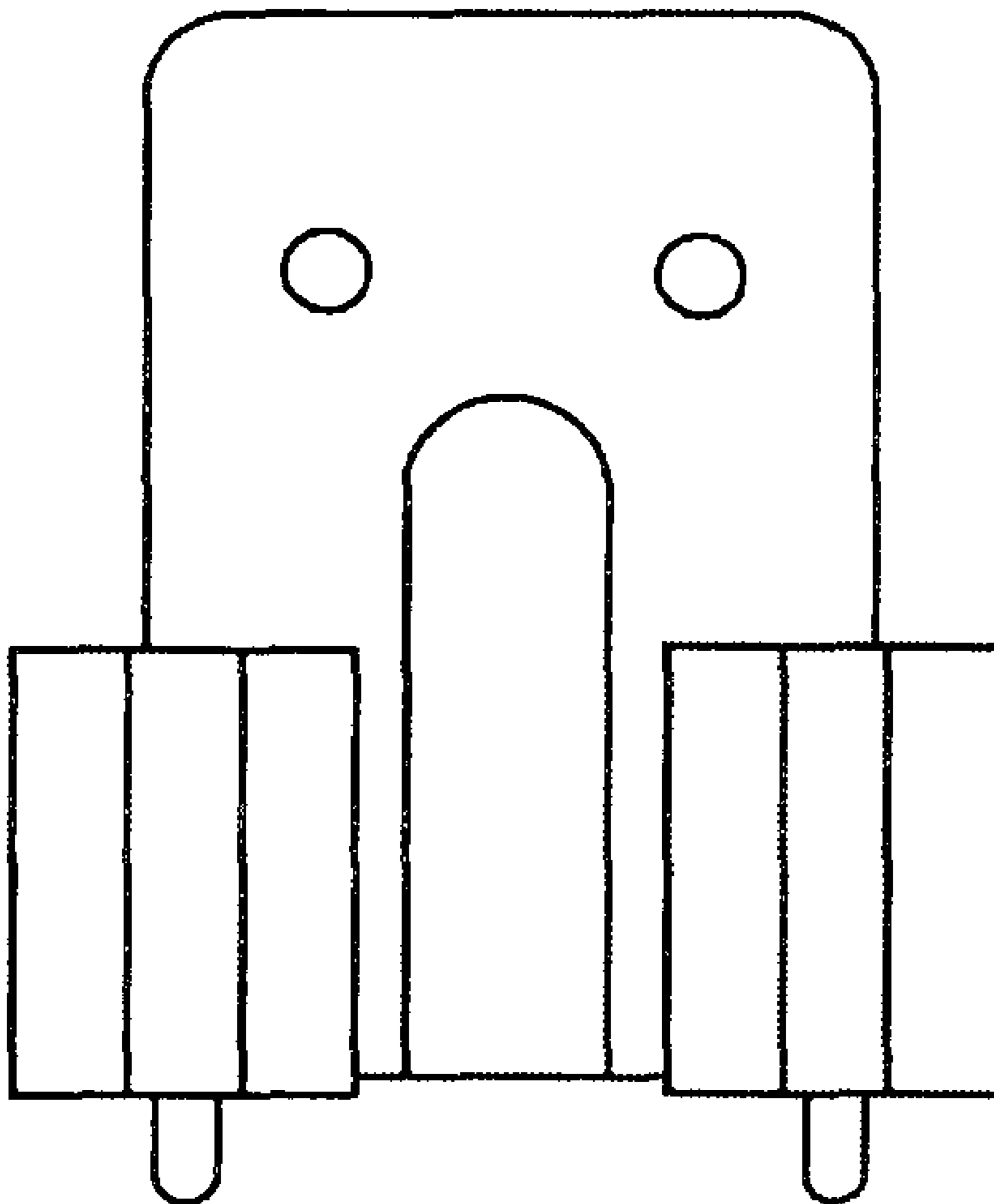
FIG. 1 is a front elevational view of a mountable universal holder showing my new design;
FIG. 2 is a rear elevational view thereof;
FIG. 3 is a left side elevational view thereof;
FIG. 4 is a right side elevational view thereof;
FIG. 5 is a top plan view thereof; and,
FIG. 6 is a top, front, and right side perspective view thereof.
The broken-line disclosure of screws and wall fragments in the views is for illustrative purposes only and forms no part of the claimed design.

(56) **References Cited**

U.S. PATENT DOCUMENTS

- D337,345 S * 7/1993 Gracie D6/572
- D414,210 S * 9/1999 Davis D6/553
- D423,269 S * 4/2000 Laga et al. D6/566

1 Claim, 2 Drawing Sheets



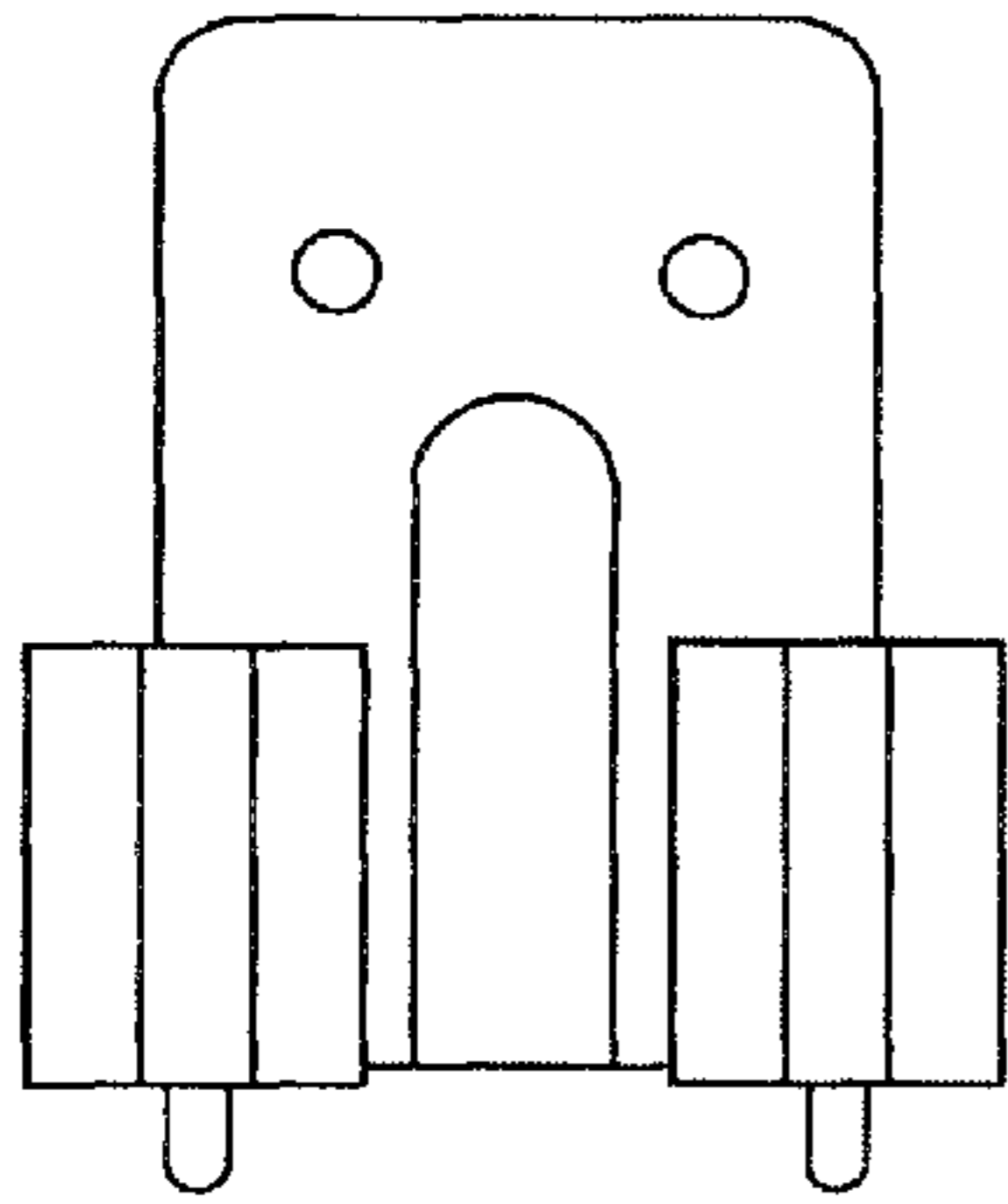


FIG.1.

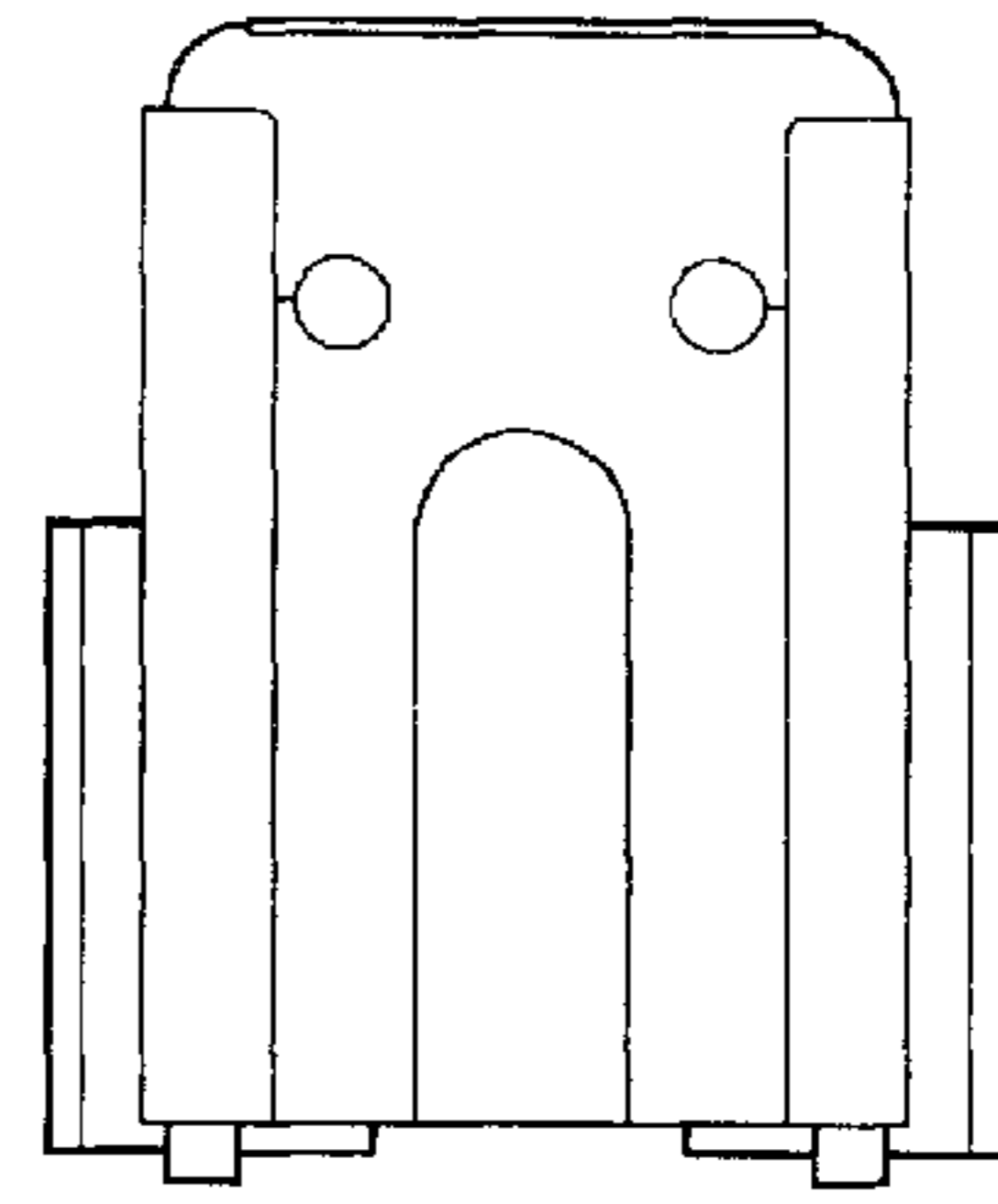


FIG.2.

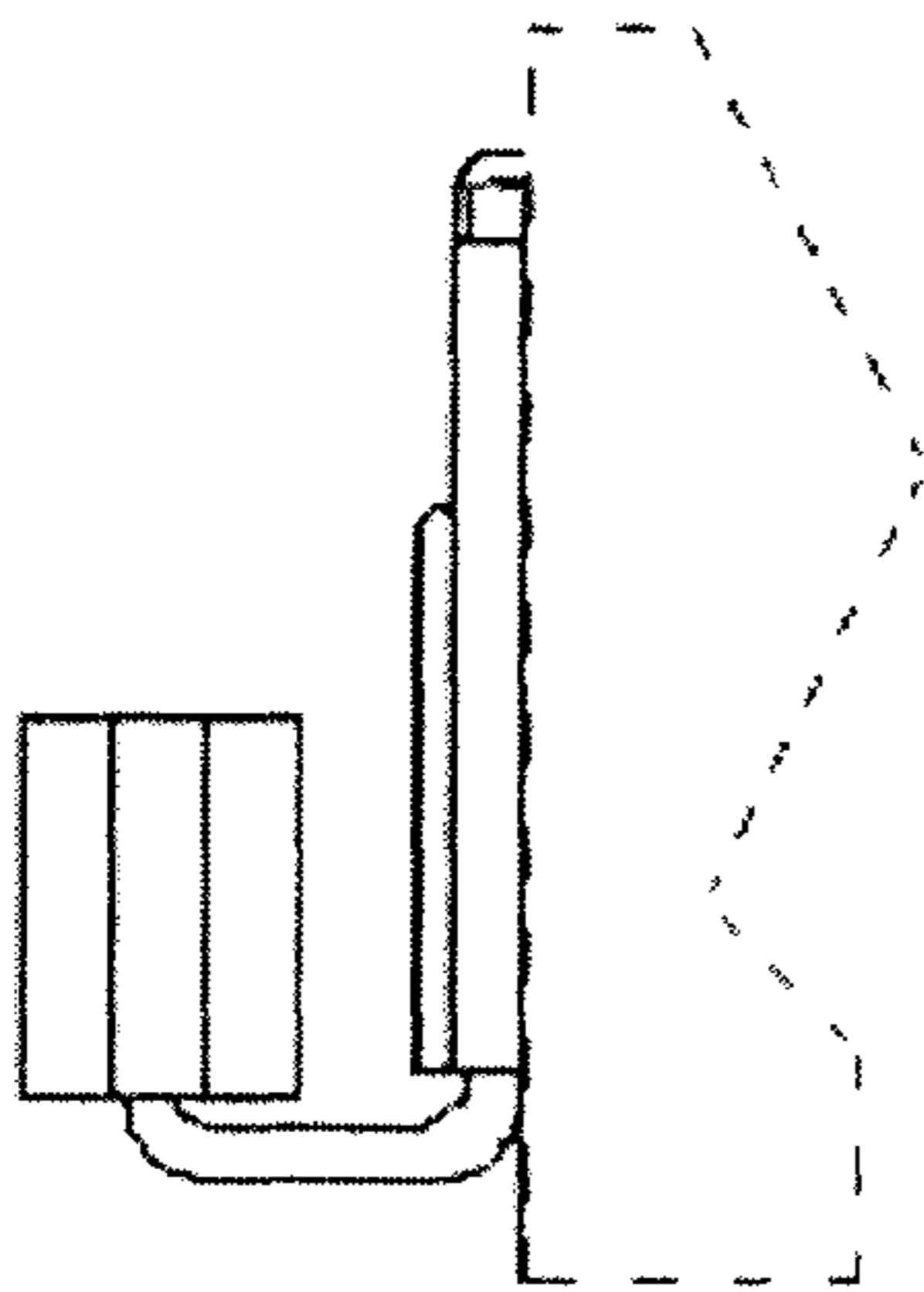


FIG.3.

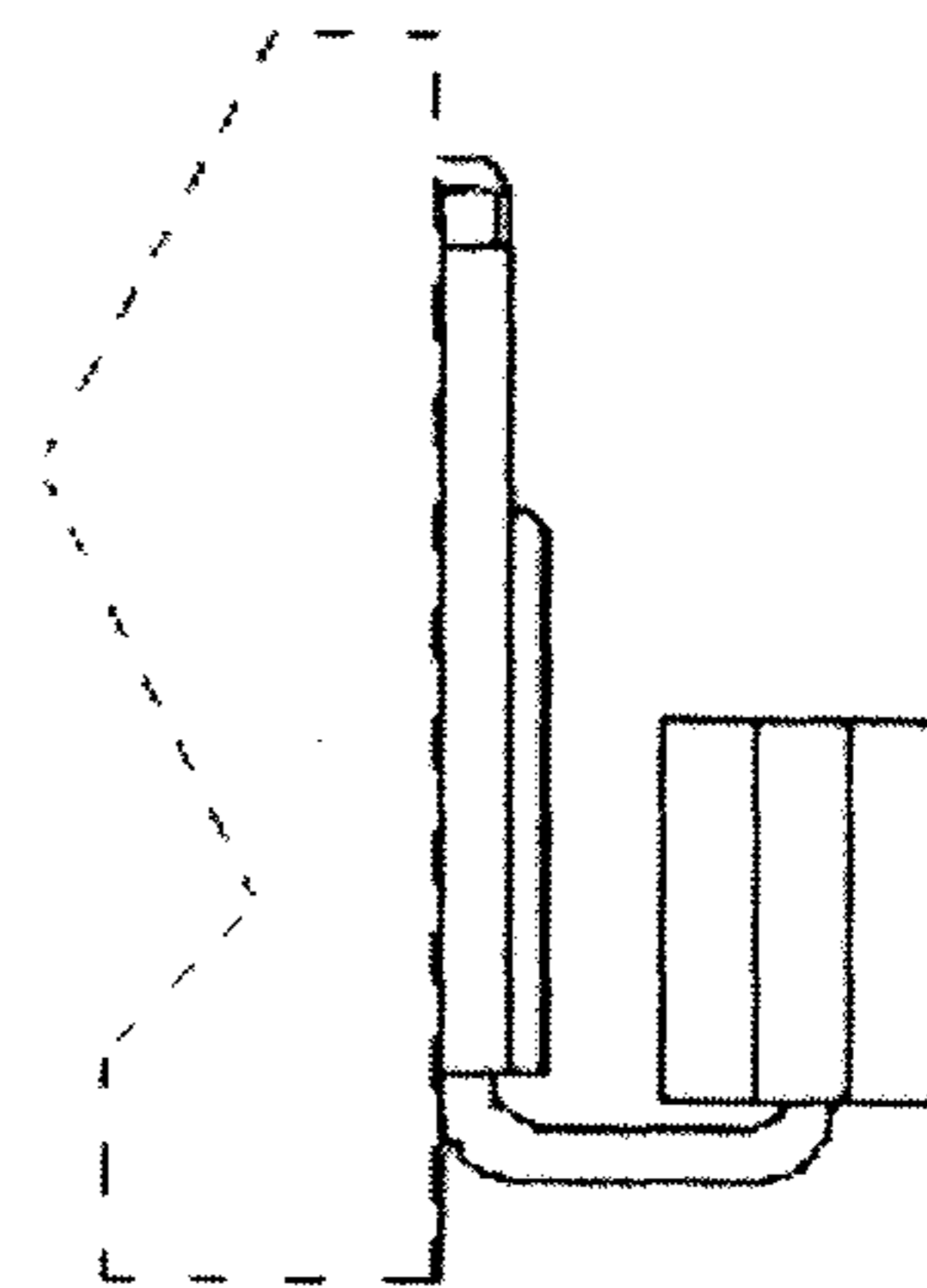


FIG.4.

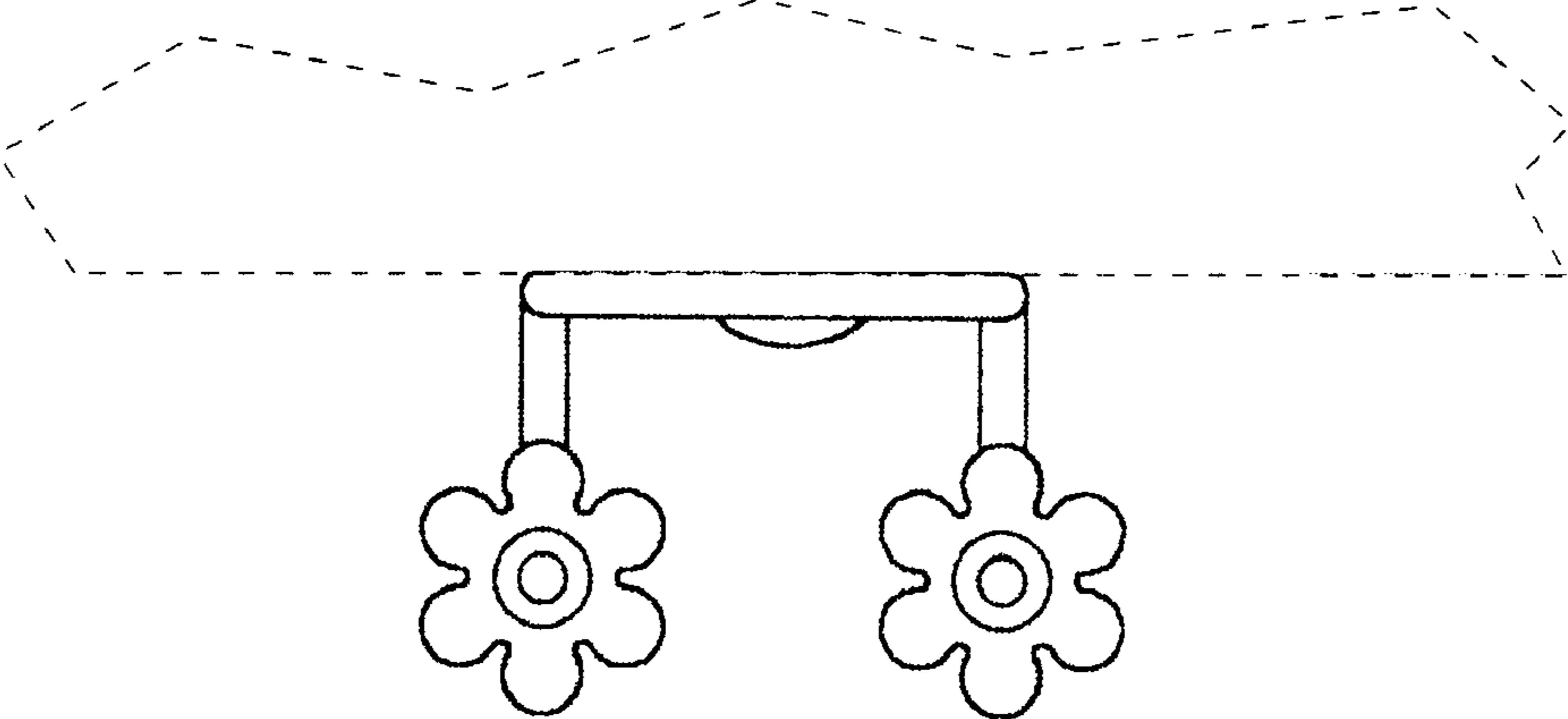


FIG. 5.

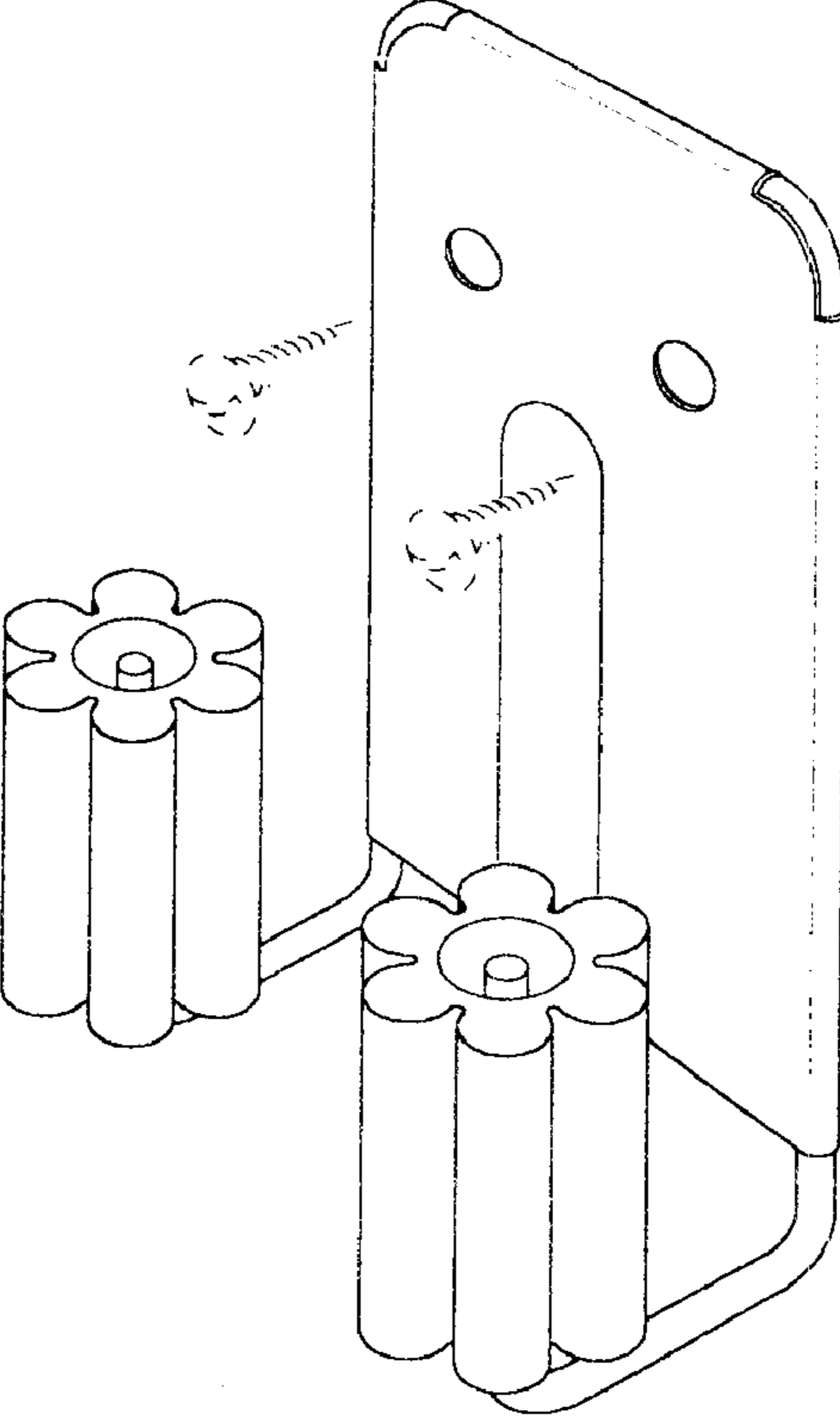


FIG. 6.