

US00D509390S

(12) **United States Design Patent** (10) **Patent No.:** **US D509,390 S**
Boron et al. (45) **Date of Patent:** **** Sep. 13, 2005**

(54) **TRANSLUCENT PRODUCT HOLDING SHELF WITH INCLUSIONS**

(75) Inventors: **Andrew J. Boron**, Belleville, IL (US);
Kent Lee Hanners, St. Charles, MO (US)

(73) Assignee: **PFI, LLC**, St. Louis, MO (US)

(**) Term: **14 Years**

(21) Appl. No.: **29/198,094**

(22) Filed: **Jan. 23, 2004**

Related U.S. Application Data

(63) Continuation-in-part of application No. 29/175,704, filed on Feb. 7, 2003, now Pat. No. Des. 485,717.

(51) **LOC (8) Cl.** **06-06**

(52) **U.S. Cl.** **D6/511**

(58) **Field of Search** D6/473-475, 477-479,
D6/511; 108/59, 91, 93, 147.11; 211/134,
135, 153, 188

(56) **References Cited**

U.S. PATENT DOCUMENTS

4,010,698	A	*	3/1977	Taub	108/183
4,574,709	A	*	3/1986	Lackey et al.	211/153
4,678,095	A		7/1987	Barnett et al.	
4,760,800	A	*	8/1988	Hanson	D6/511
D321,101	S	*	10/1991	Zucker	D6/479
5,158,187	A	*	10/1992	Taub	211/188
5,357,871	A	*	10/1994	Bowman	211/134
5,438,938	A	*	8/1995	Meeker et al.	211/153
D368,396	S	*	4/1996	Bidwell	D6/479
5,522,514	A	*	6/1996	Robinson	211/188
D371,644	S	*	7/1996	Lillelund et al.	D6/511
D418,341	S	*	1/2000	Carville et al.	D6/509
D421,350	S	*	3/2000	Bidwell et al.	D6/450
D439,769	S	*	4/2001	Prince et al.	D6/479
D445,619	S	*	7/2001	Achey	D6/511
6,273,281	B1	*	8/2001	Berglund	108/147.11
6,290,074	B1	*	9/2001	Syvuk et al.	211/188
6,443,407	B1	*	9/2002	Ibrahim	248/163.2

D467,098	S	*	12/2002	Linz	D6/475
D471,383	S	*	3/2003	Linz	D6/475
D485,713	S	*	1/2004	Boron et al.	D6/511
D485,714	S	*	1/2004	Boron et al.	D6/511
D485,715	S	*	1/2004	Boron	D6/511
D485,716	S	*	1/2004	Boron	D6/511
D485,717	S	*	1/2004	Boron	D6/511
D485,718	S	*	1/2004	Boron	D6/511
D486,331	S	*	2/2004	Boron	D6/511
2002/0144964	A1	*	10/2002	Hurt	211/188
2003/0173321	A1	*	9/2003	Craft et al.	211/188

* cited by examiner

Primary Examiner—Cathron Brooks

(74) *Attorney, Agent, or Firm*—Blackwell Sanders Peper Martin LLP

(57) **CLAIM**

The ornamental design for a translucent product holding shelf with inclusions, as shown and described.

DESCRIPTION

FIG. 1 is a perspective view of a translucent product holding shelf showing our new design.

FIG. 2 is a top plan view thereof.

FIG. 3 is a bottom plan view thereof.

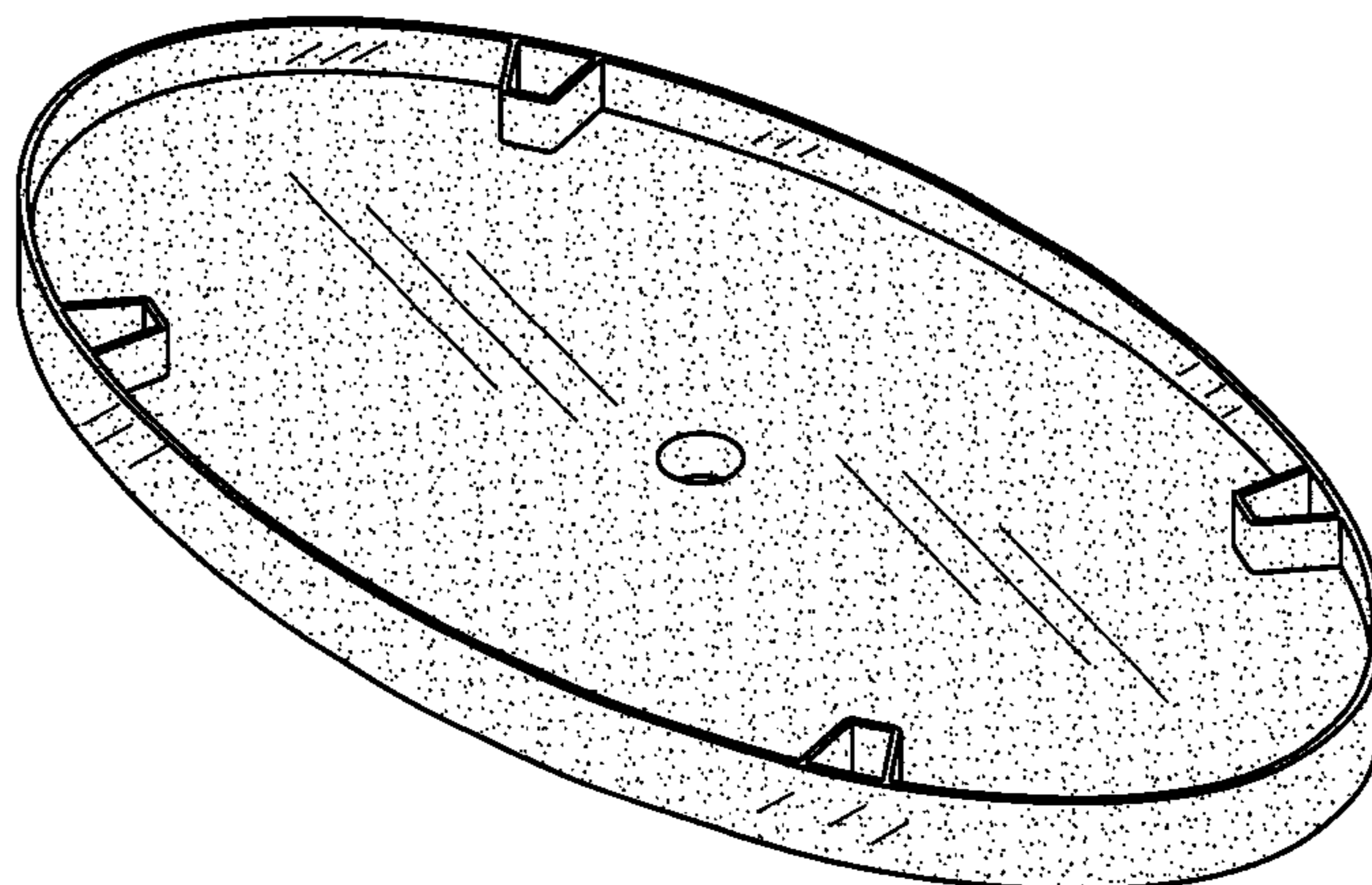
FIG. 4 is a front elevational view thereof, the rear elevational view being a mirror image thereof.

FIG. 5 is a left side elevational view thereof, the right side elevational view being a mirror image thereof; and,

FIG. 6 is a cross-sectional view taken along line 6—6 of FIG. 3 showing the inclusions embedded in the translucent shelf structure thereof, the cross-sectional view being taken solely through the floor portion and peripheral side wall associated thereof.

A description of the appearance of the article is as follows: A product holding shelf for use in holding and merchandising products therefrom made of a translucent material wherein the translucent material includes a plurality of inclusions embedded within the material which can be seen and viewed through the translucent material. The translucent material may be of any color so long as the inclusions may be viewed therethrough.

1 Claim, 2 Drawing Sheets



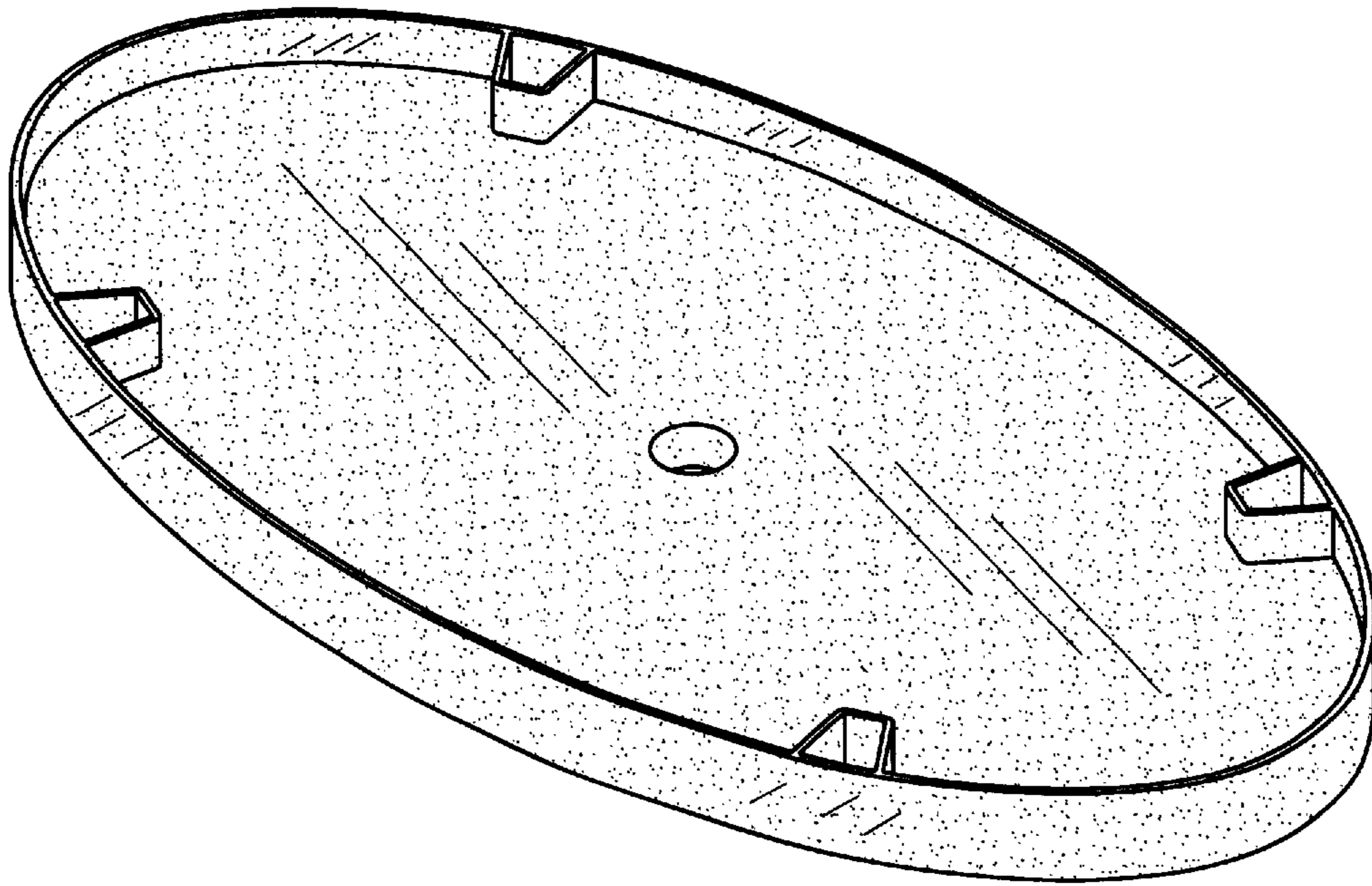


FIG. 1

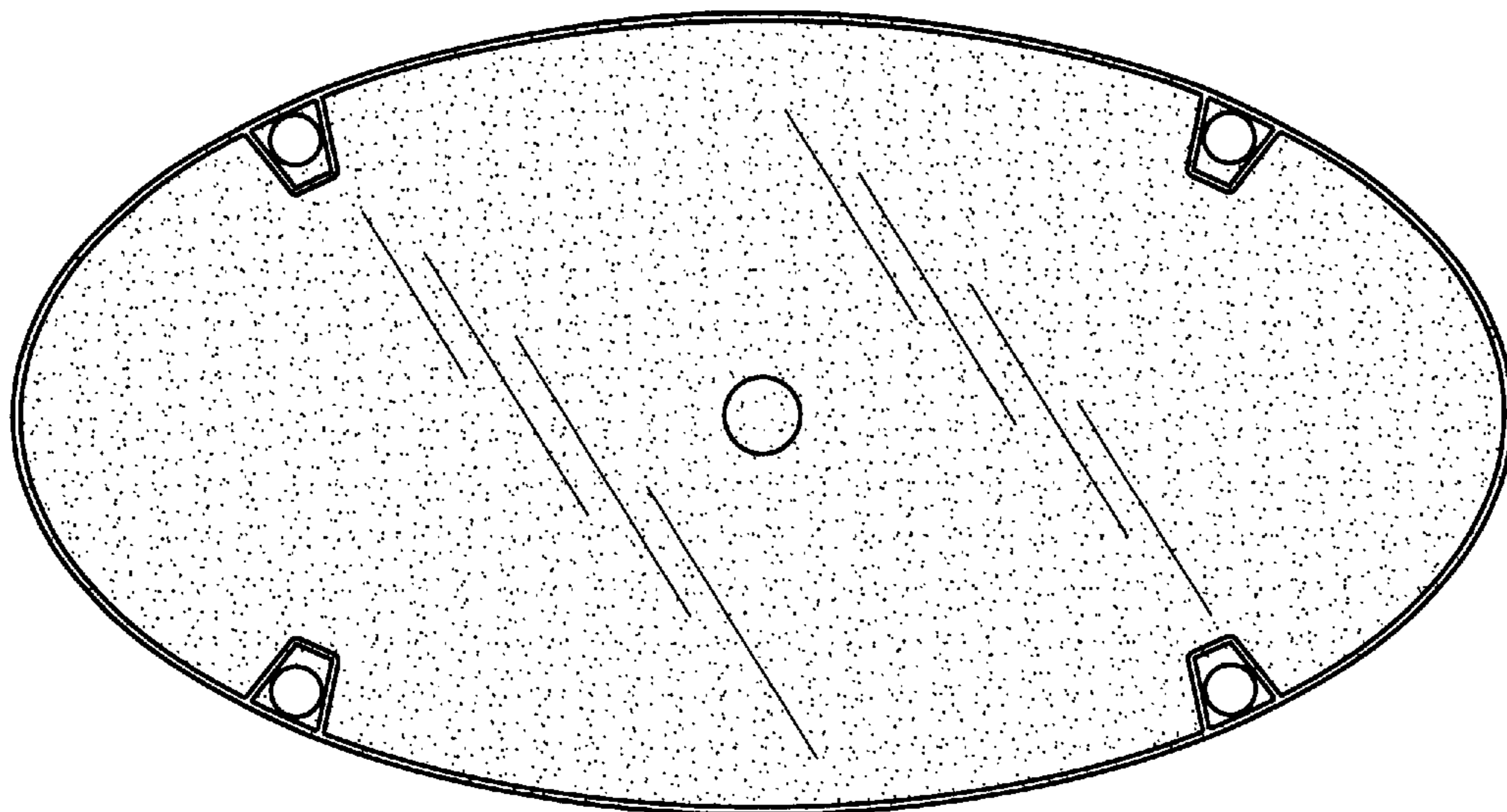


FIG. 2

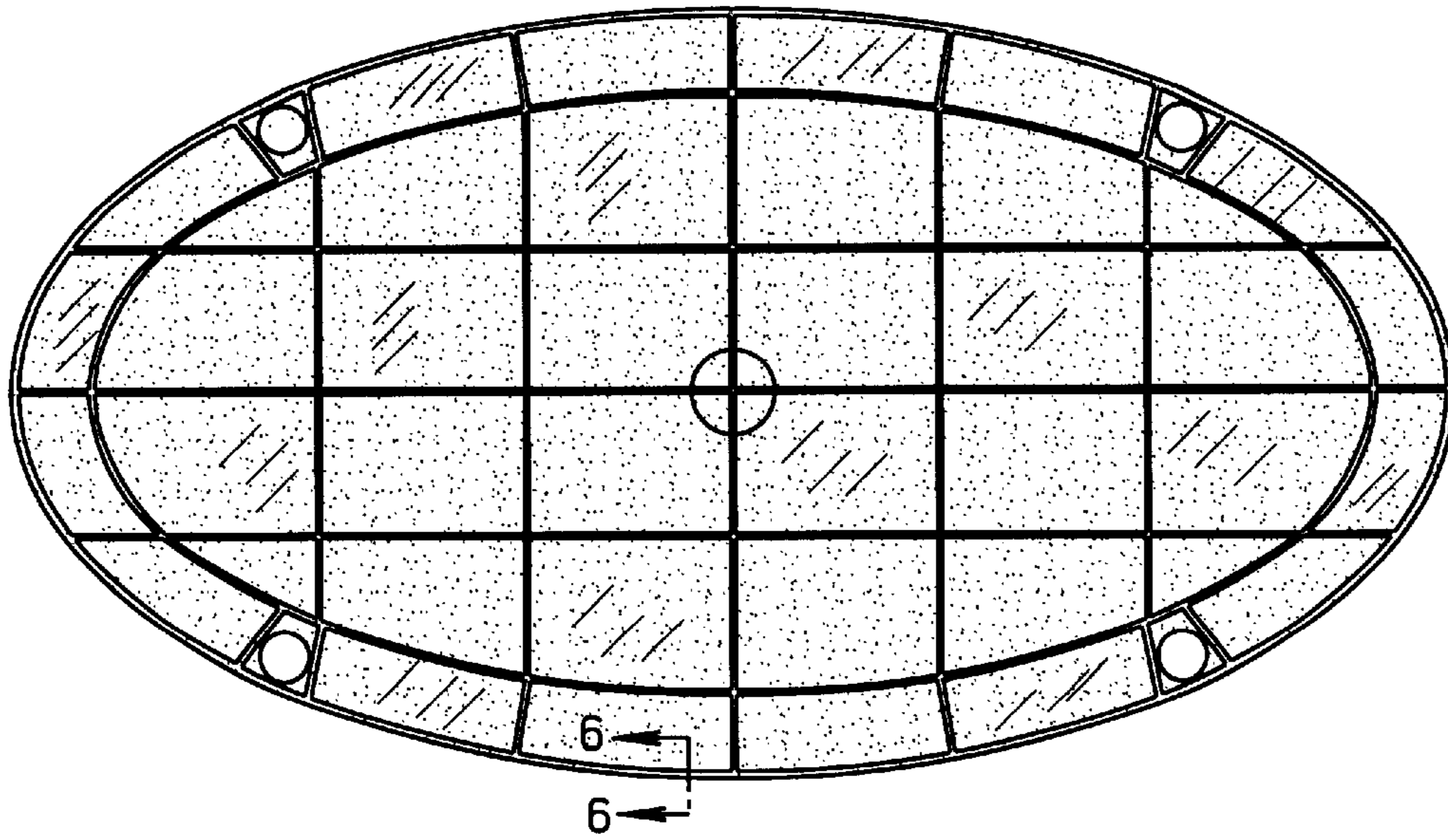


FIG. 3

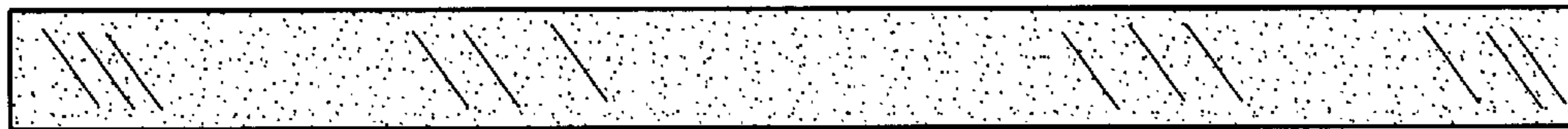


FIG. 4

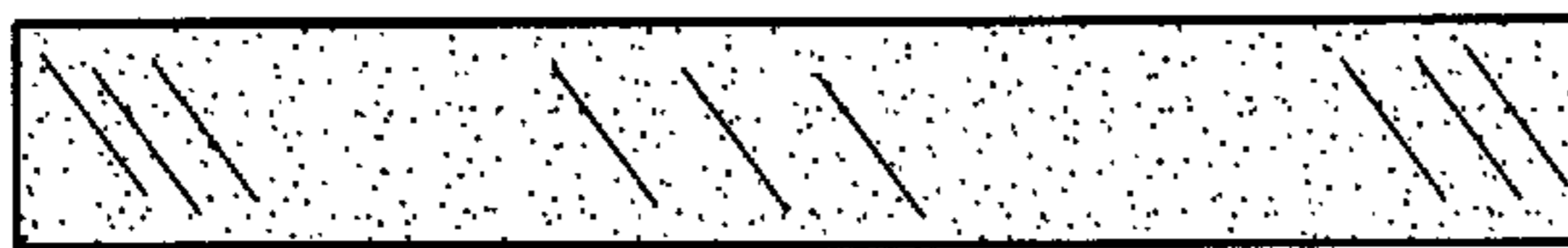


FIG. 5

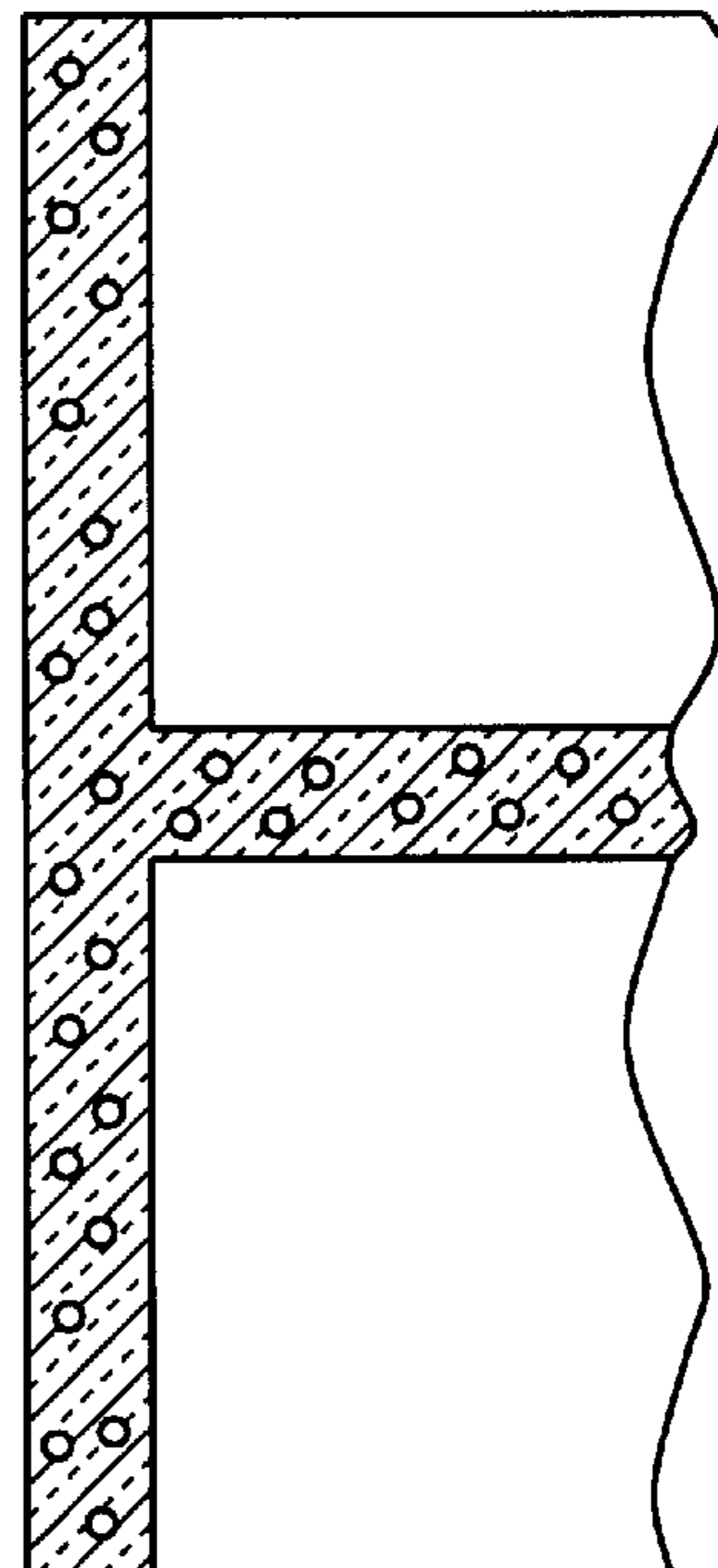


FIG. 6

UNITED STATES PATENT AND TRADEMARK OFFICE
CERTIFICATE OF CORRECTION

PATENT NO. : Des. 509,390 S
DATED : September 13, 2005
INVENTOR(S) : Andrew J. Boron

Page 1 of 1

It is certified that error appears in the above-identified patent and that said Letters Patent is hereby corrected as shown below:

Title page.

Item [73], Assignee, delete "PFI, LLC, St. Louis, MO" and replace with -- **Presence From Innovation, LLC, St. Louis, MO** --.

Signed and Sealed this

Fifteenth Day of November, 2005

A handwritten signature in black ink that reads "Jon W. Dudas". The signature is written in a cursive style with a large, looped initial "J".

JON W. DUDAS

Director of the United States Patent and Trademark Office