

US00D509388S

(12) **United States Design Patent** (10) **Patent No.:** **US D509,388 S**
Koepke et al. (45) **Date of Patent:** **** Sep. 13, 2005**

(54) **CHAIR**

(75) Inventors: **Marcus C. Koepke**, Indianapolis, IN (US); **Brian R. Trego**, Muscatine, IA (US); **Jay R. Machael**, Muscatine, IA (US)

(73) Assignee: **HNI Technologies Inc.**, Muscatine, IA (US)

(**) Term: **14 Years**

(21) Appl. No.: **29/196,519**

(22) Filed: **Dec. 30, 2003**

(51) **LOC (8) Cl.** **06-06**

(52) **U.S. Cl.** **D6/500**; D6/366

(58) **Field of Search** D6/334, 364, 365, D6/366, 367, 374, 380, 500-502; 297/300.1, 300.2, 452.29, 411.2, 411.27

(56) **References Cited**

U.S. PATENT DOCUMENTS

5,871,258 A * 2/1999 Battey et al. 297/300.2
D410,799 S * 6/1999 Meda D6/366
D421,540 S * 3/2000 Jenkins et al. D6/502
D439,451 S * 3/2001 Simons et al. D6/502
D442,400 S * 5/2001 Simons et al. D6/500
D442,791 S * 5/2001 Simons et al. D6/366
D445,580 S * 7/2001 Pennington et al. D6/366
6,349,992 B1 * 2/2002 Knoblock et al. 297/300.2
6,367,877 B1 * 4/2002 Knoblock et al. 297/301.1

D471,024 S * 3/2003 Chadwick et al. D6/366
6,669,292 B2 * 12/2003 Koepke et al. 297/300.2
D486,315 S * 2/2004 Beaulieu et al. D6/366
D487,197 S * 3/2004 Edwards et al. D6/366
D487,641 S * 3/2004 James D6/366
D490,621 S * 6/2004 Newhouse D6/366
D493,626 S * 8/2004 James D6/366
D495,155 S * 8/2004 Baldanzi et al. D6/366
2003/0015902 A1 * 1/2003 Knoblock et al. 297/300.1
2004/0130195 A1 * 7/2004 DeKraker et al. 297/300.1

* cited by examiner

Primary Examiner—Mimosa De

(74) *Attorney, Agent, or Firm*—Ronald A. Sandler; Jones Day

(57) **CLAIM**

We claim the ornamental design for a chair, as shown and described.

DESCRIPTION

FIG. 1 is a front perspective view of the chair showing the new design;
FIG. 2 is a slightly reduced front elevation view thereof;
FIG. 3 is a slightly reduced rear elevation view thereof;
FIG. 4 is a slightly reduced right side view thereof;
FIG. 5 is a slightly reduced left side view thereof;
FIG. 6 is a slightly reduced top plan view thereof; and,
FIG. 7 is a slightly reduced bottom plan view thereof.
The broken lines shown are for environmental illustrative purposes only and form no part of the claimed design.

1 Claim, 4 Drawing Sheets

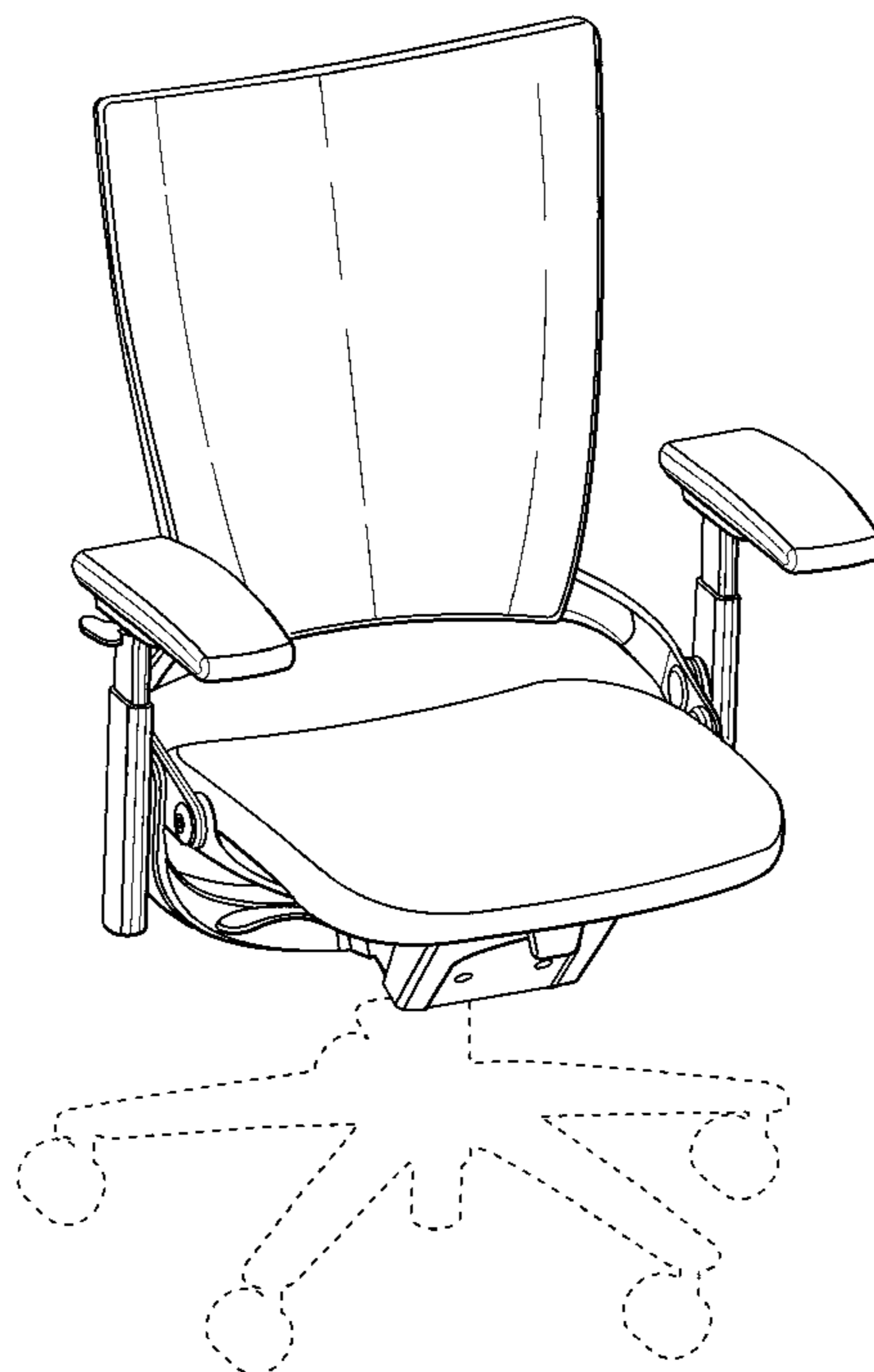


Fig. 1

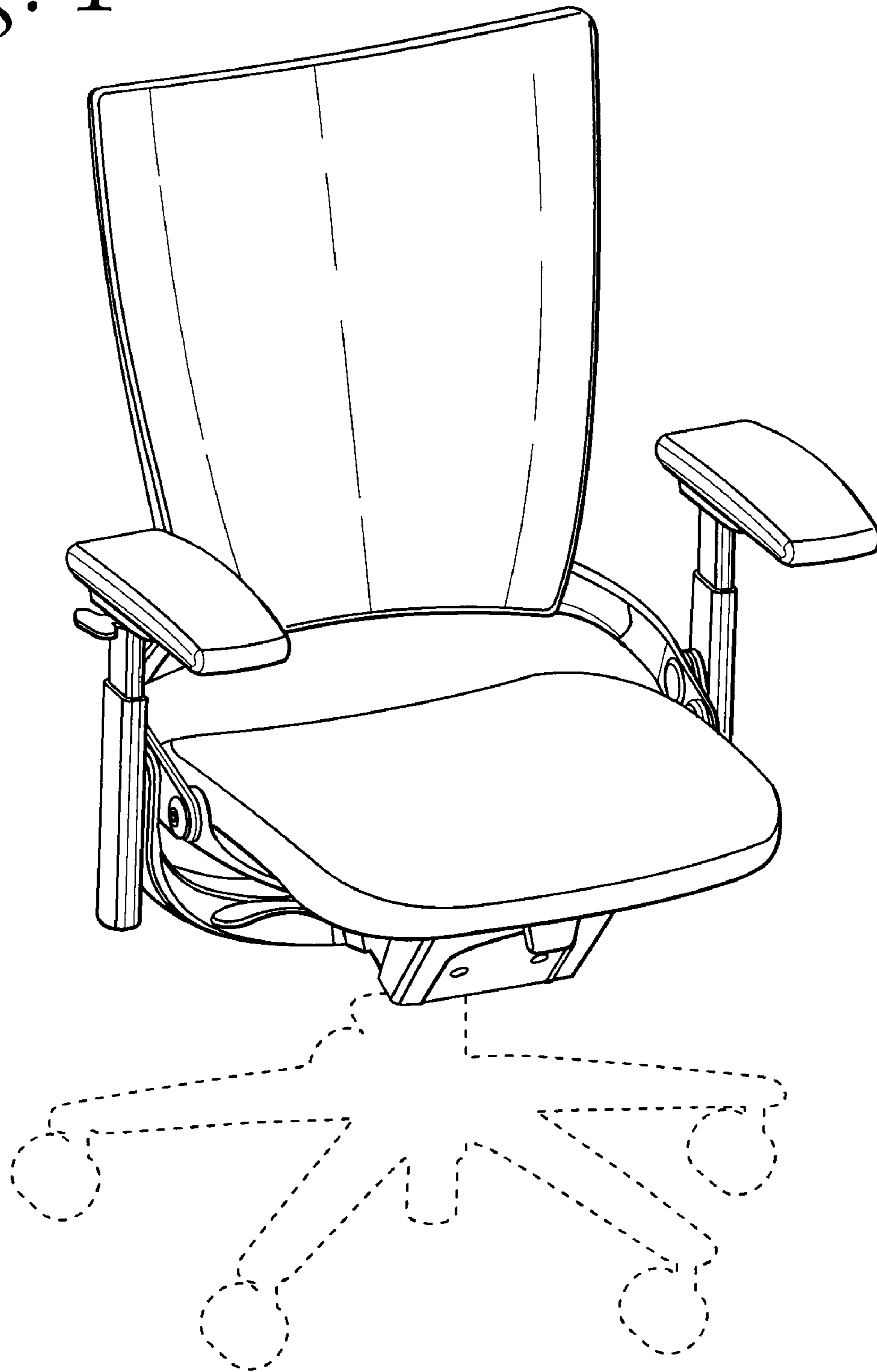


Fig. 2

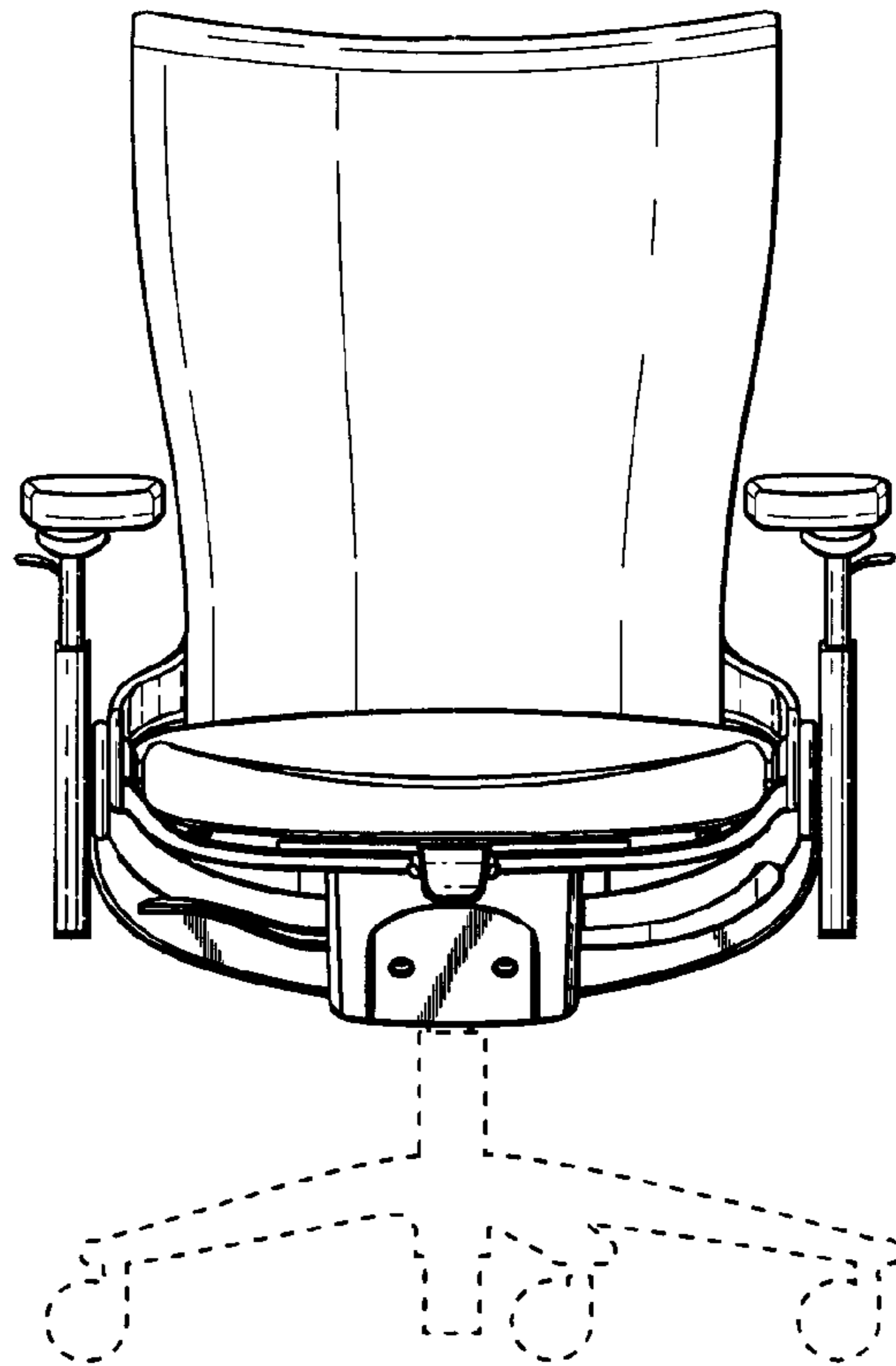


Fig. 3

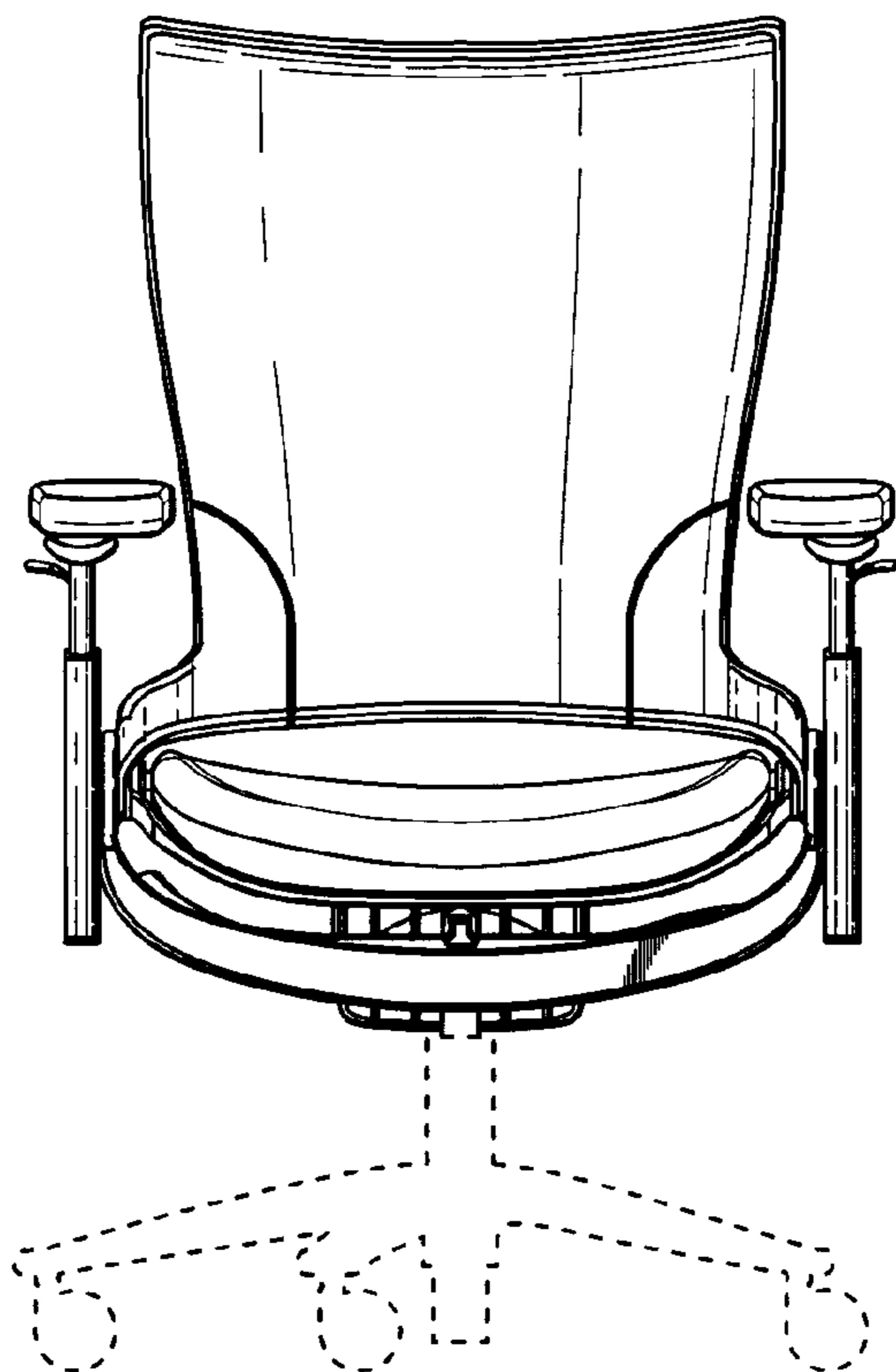


Fig. 4

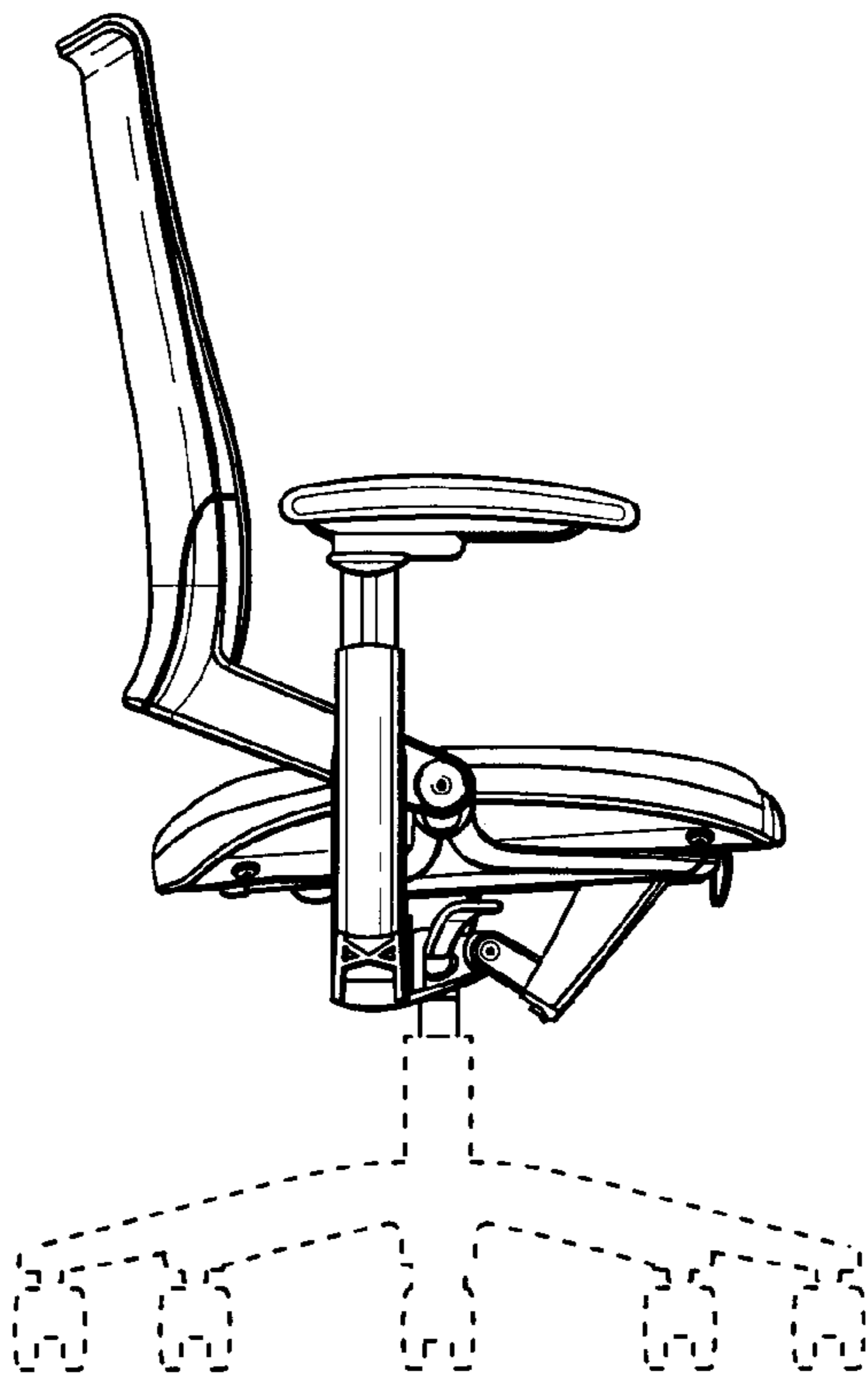


Fig. 5

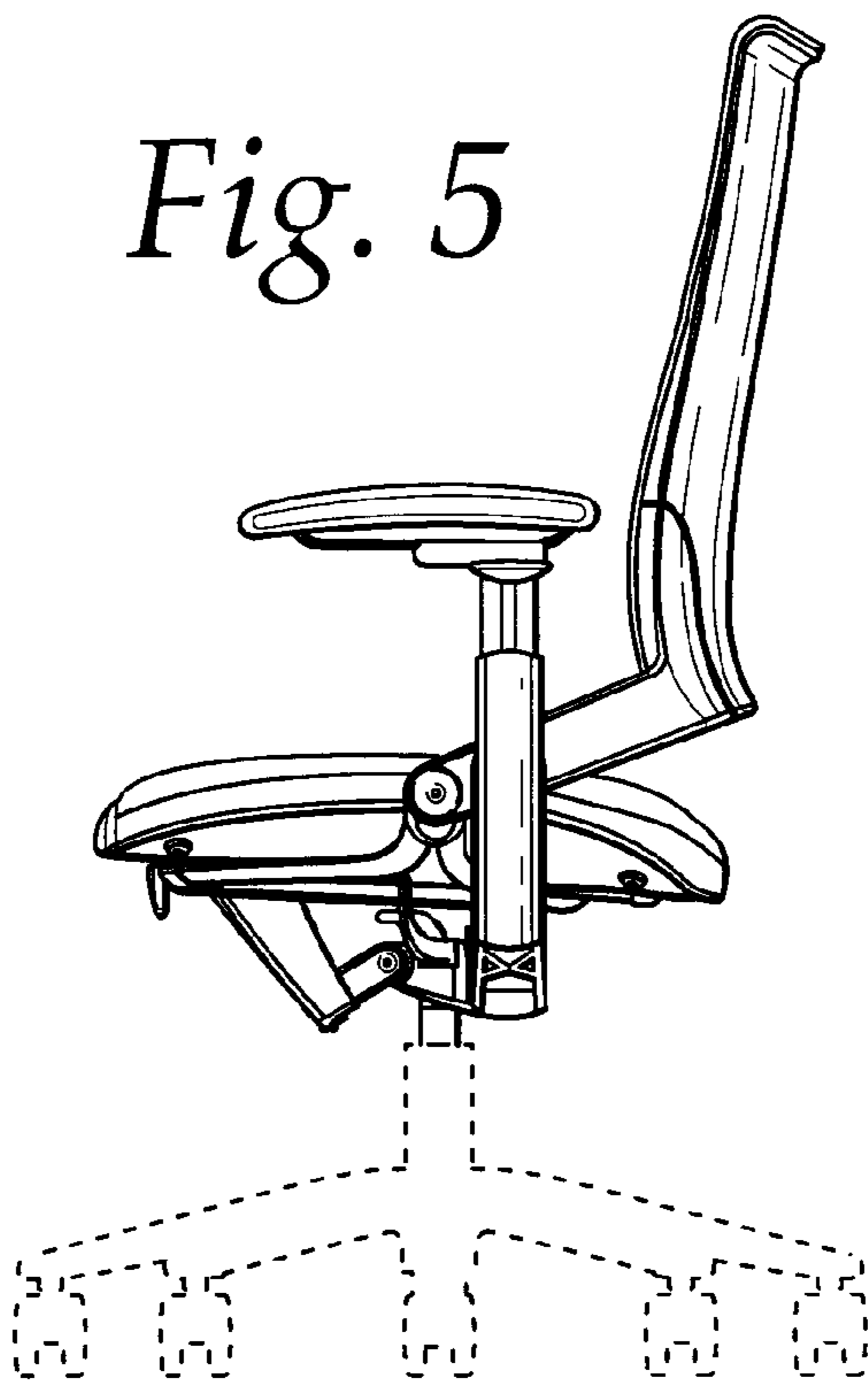


Fig. 6

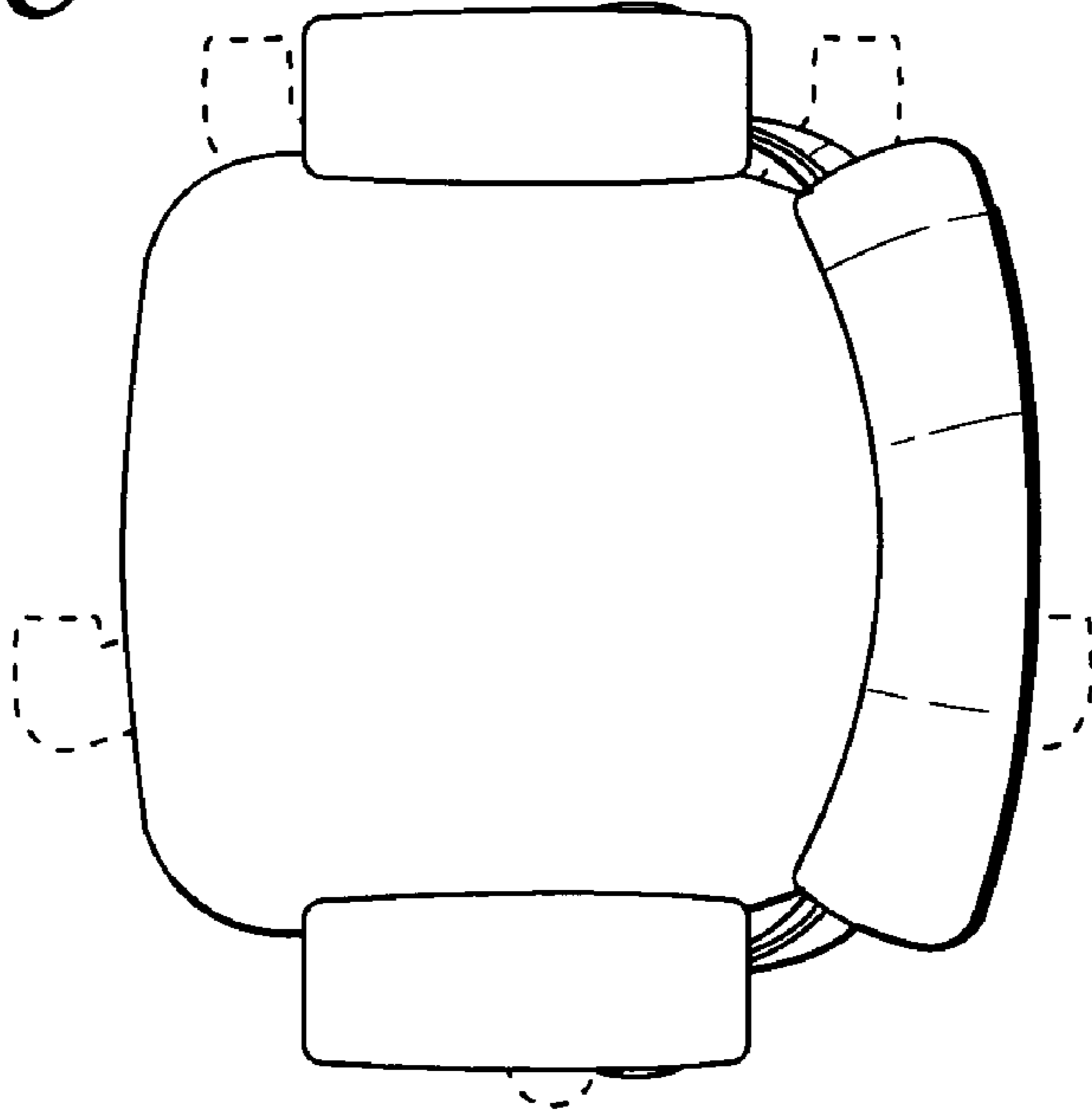


Fig. 7

