



US00D509387S

(12) **United States Design Patent**
Chen

(10) **Patent No.:** **US D509,387 S**

(45) **Date of Patent:** **** Sep. 13, 2005**

(54) **CHAIR BASE**

D431,942 S * 10/2000 Chen D6/498
D449,457 S * 10/2001 Su D6/366
D456,185 S * 4/2002 Su D6/498

(76) **Inventor:** **Yung-Hua Chen**, 1st Fl. No. 2, Lane
157, Wan An Street, Hsinchuang City
(TW)

* cited by examiner

(**) **Term:** **14 Years**

Primary Examiner—Mimosa De
(74) *Attorney, Agent, or Firm*—Rosenberg, Klein & Lee

(21) **Appl. No.:** **29/203,525**

(57) **CLAIM**

(22) **Filed:** **Apr. 16, 2004**

The ornamental design for a chair base, as show and described.

(51) **LOC (8) Cl.** **06-06**

(52) **U.S. Cl.** **D6/498; D6/366**

(58) **Field of Search** D6/334, 335, 364–367,
D6/498, 500–502; 248/188, 188.1, 188.7,
188.8, 188.9; 297/344.18, 411.2, 463.1

DESCRIPTION

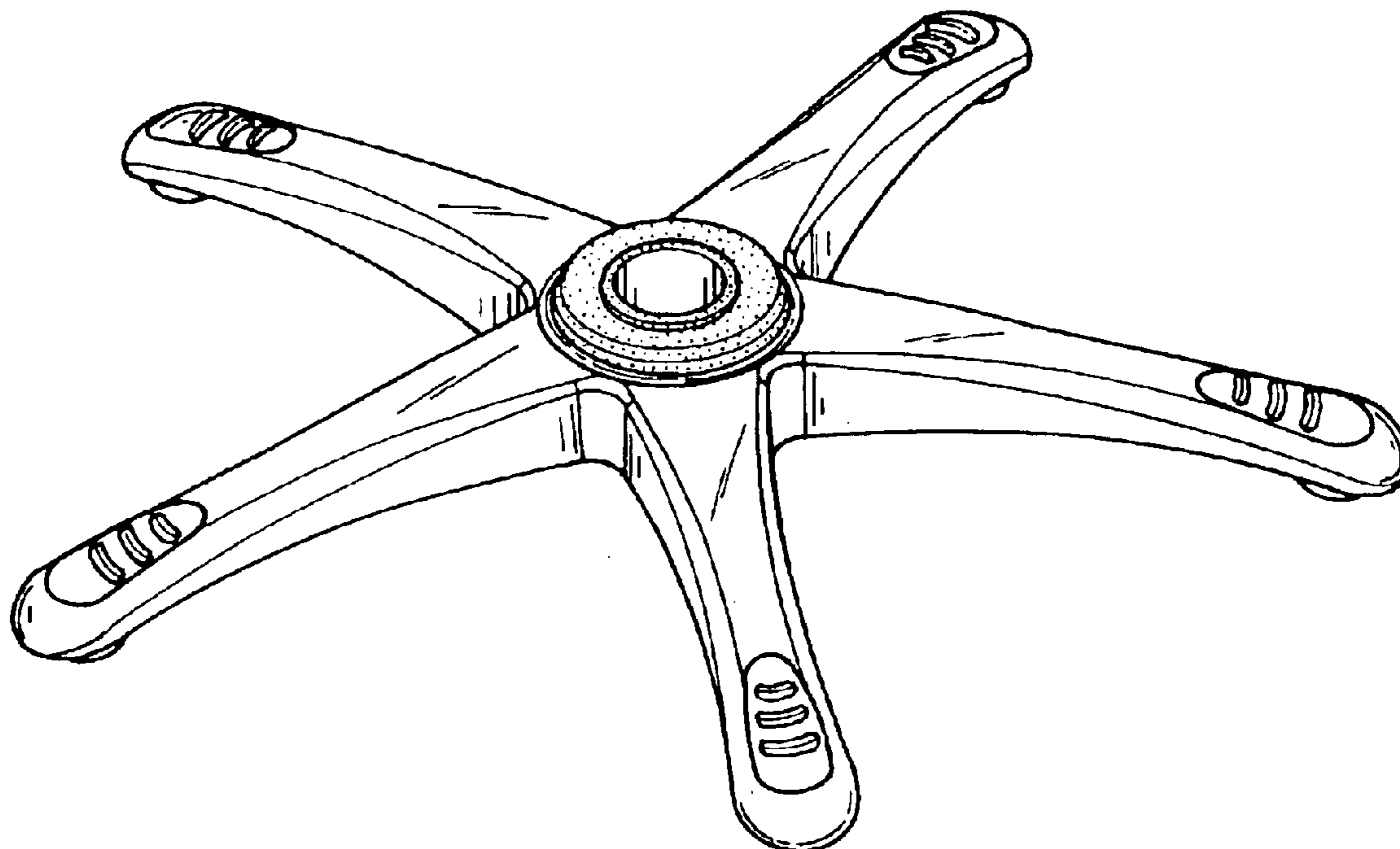
FIG. 1 is a front, left perspective view of a chair base showing my new design;
FIG. 2 is a bottom, left perspective view thereof;
FIG. 3 is a front view thereof;
FIG. 4 is a rear view thereof;
FIG. 5 is a right side view thereof;
FIG. 6 is a left side view thereof;
FIG. 7 is a top plan view thereof; and,
FIG. 8 is a bottom plan view thereof.

(56) **References Cited**

U.S. PATENT DOCUMENTS

D238,646 S * 2/1976 Schoblom D6/498
D326,783 S * 6/1992 Piretti D6/366
D335,398 S * 5/1993 Heidmann D6/366
D355,534 S * 2/1995 Saotome D6/366
D391,089 S * 2/1998 Chu D6/366

1 Claim, 5 Drawing Sheets



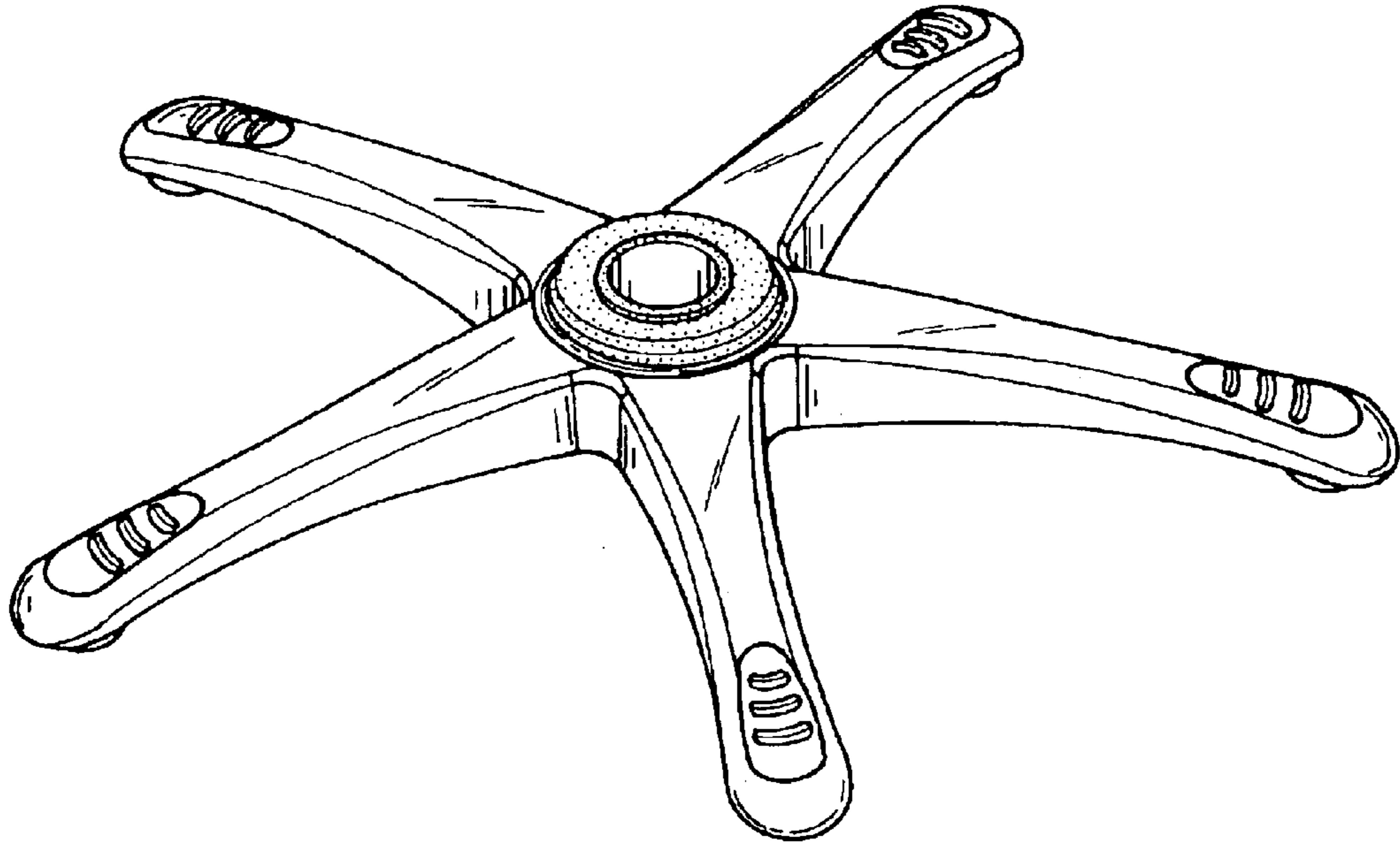


FIG. 1

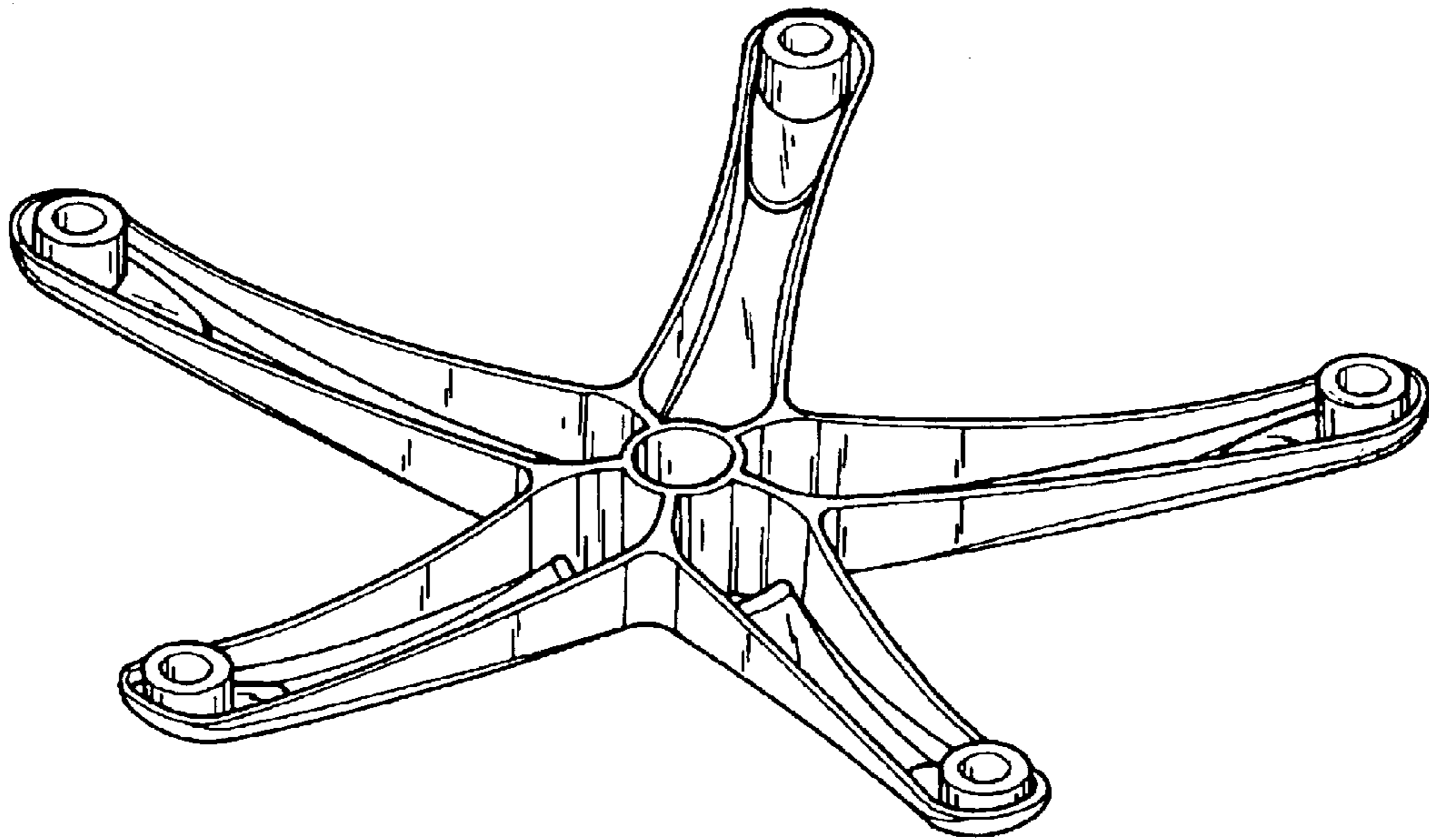


FIG. 2

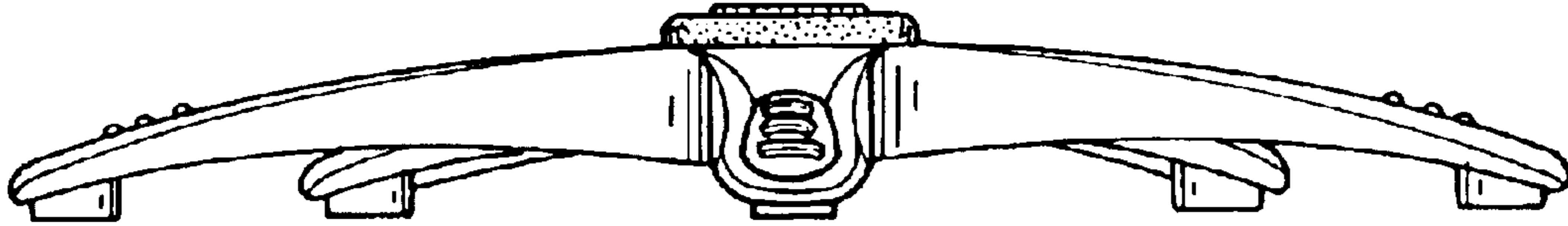


FIG. 3

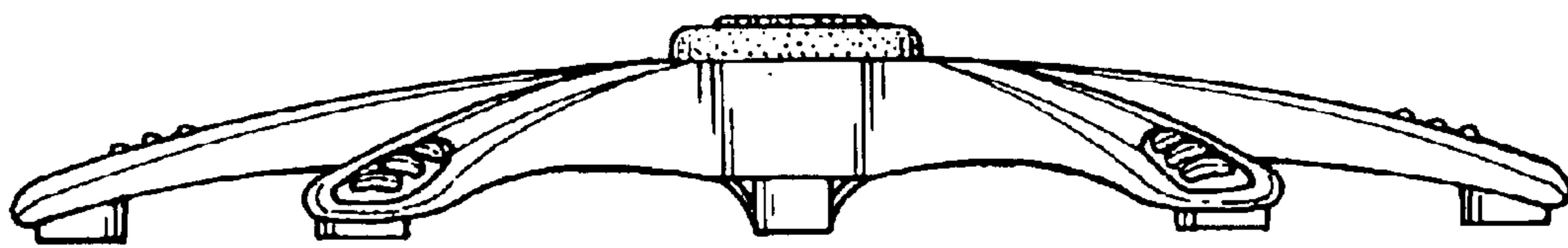


FIG. 4

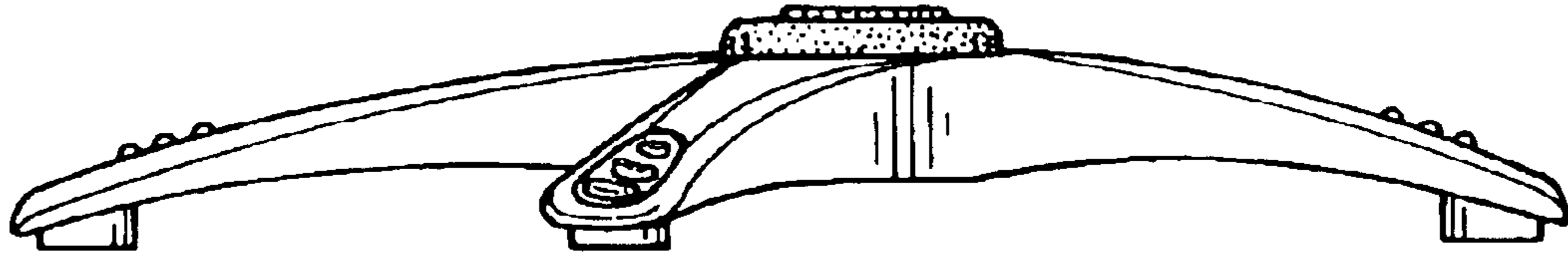


FIG. 5

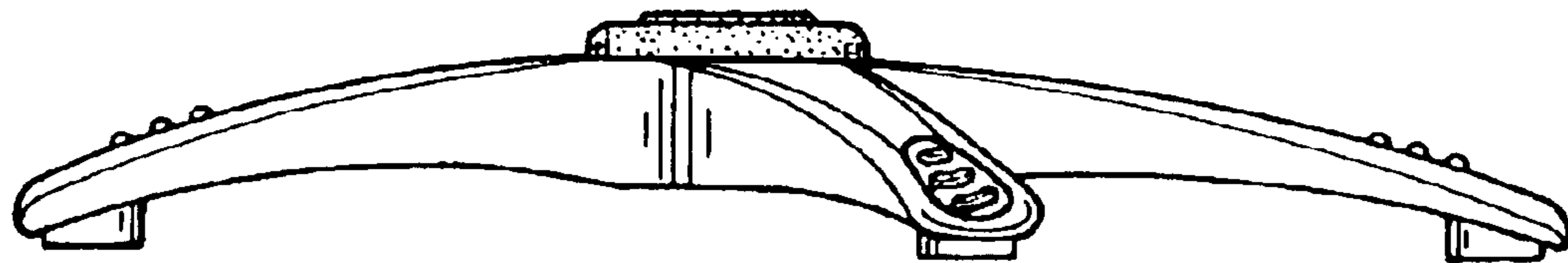


FIG. 6

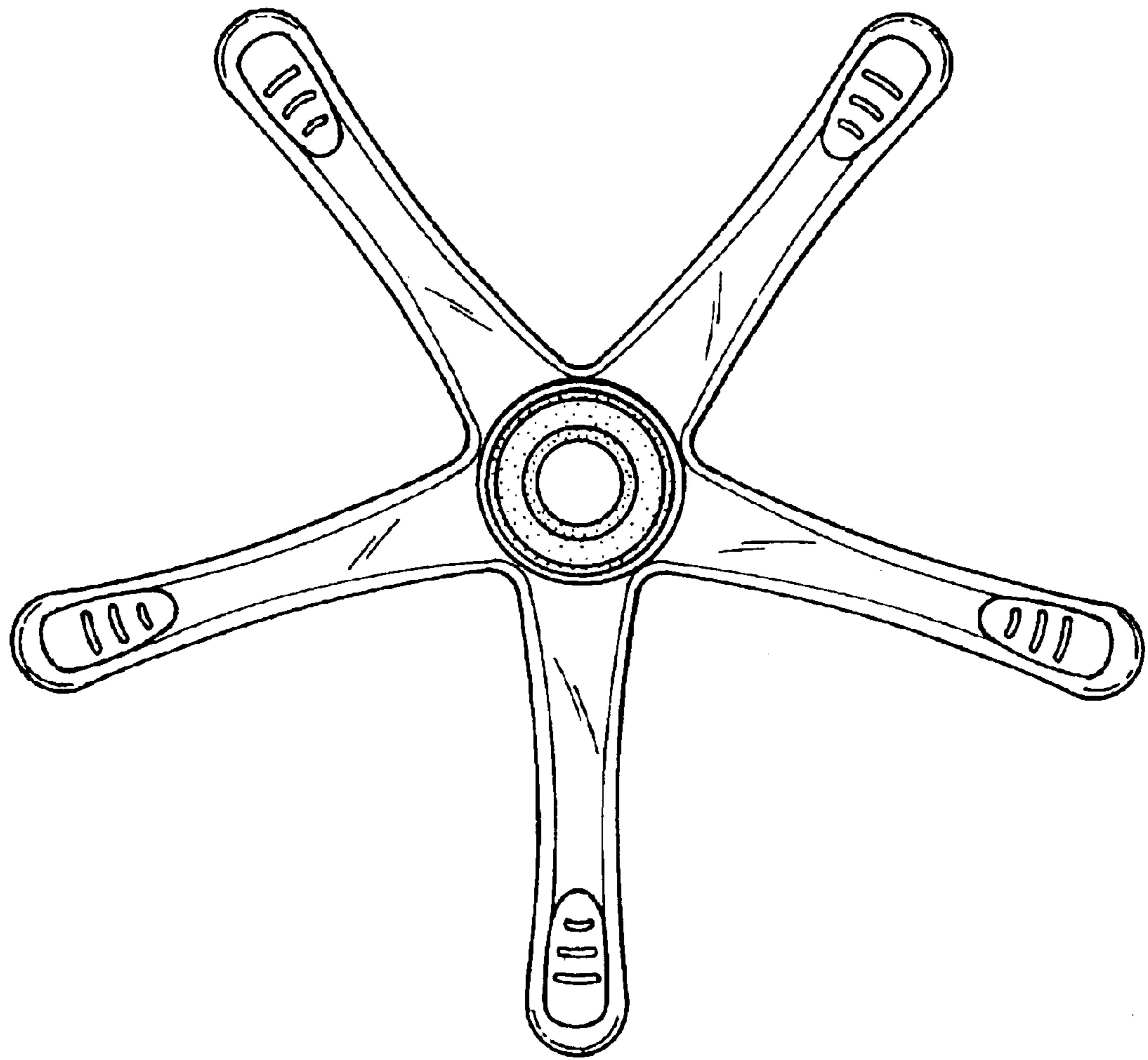


FIG. 7

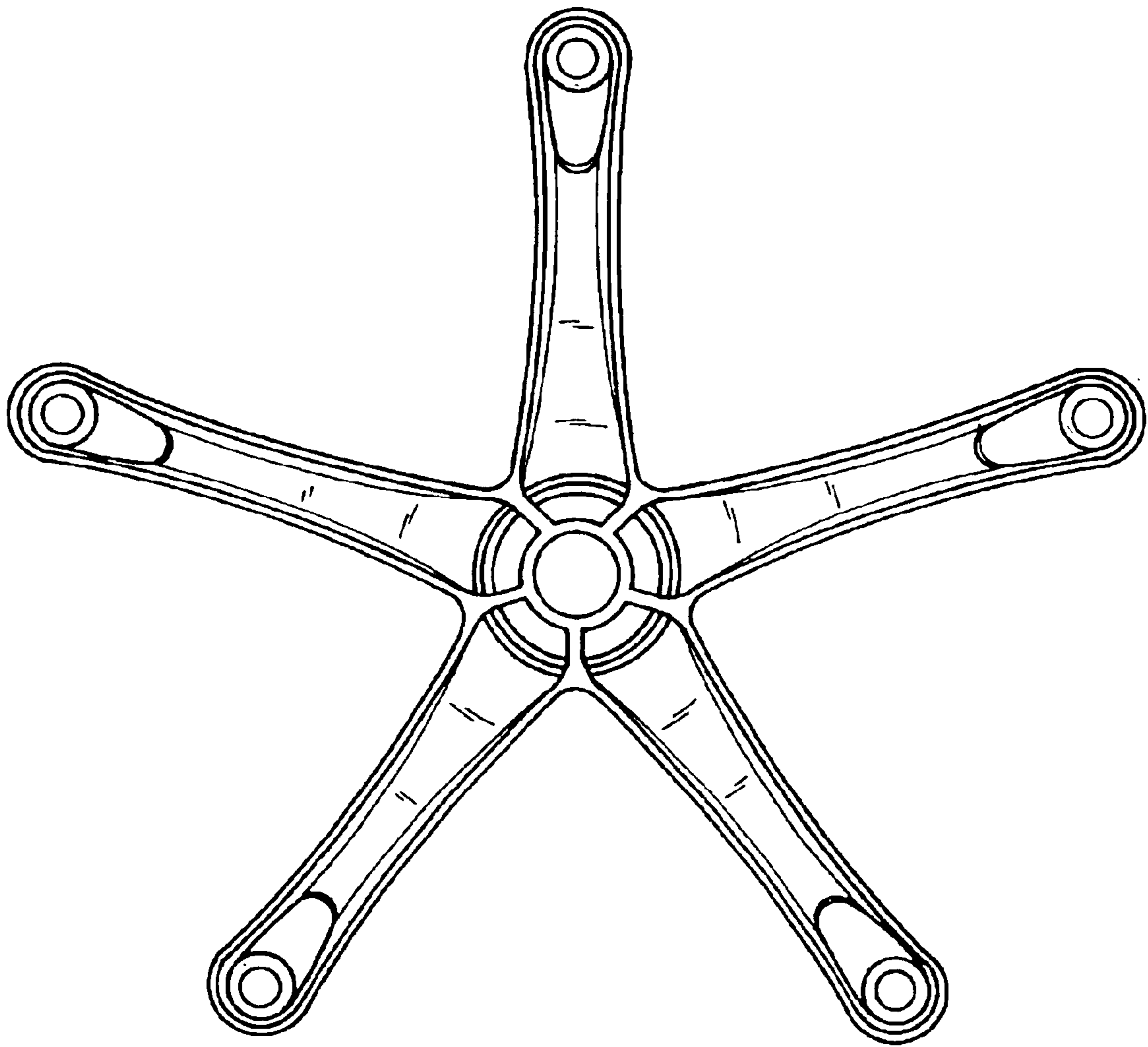


FIG. 8