



US00D509385S

(12) **United States Design Patent**
Muller

(10) **Patent No.:** **US D509,385 S**

(45) **Date of Patent:** **** Sep. 13, 2005**

(54) **TABLE BASE**

(75) **Inventor:** **Carl A. Muller**, Huntington Beach, CA (US)

(73) **Assignee:** **Elite Manufacturing Corporation**, Santa Fe Springs, CA (US)

(**) **Term:** **14 Years**

(21) **Appl. No.:** **29/205,212**

(22) **Filed:** **May 11, 2004**

(51) **LOC (8) Cl.** **06-03**

(52) **U.S. Cl.** **D6/480**

(58) **Field of Search** D6/480-489, 495-499, D6/429, 450, 451, 388; 108/153.1, 155, 156, 157.1, 161; 248/188, 188.1, 188.8; D12/6, 9; 280/8, 22

(56) **References Cited**

U.S. PATENT DOCUMENTS

D328,000 S	*	7/1992	Weaver	D6/485
D359,637 S	*	6/1995	Hammie	D6/482
D409,418 S	*	5/1999	Lewis	D6/480
D482,214 S	*	11/2003	Weaver	D6/480

* cited by examiner

Primary Examiner—Janice E. Seeger

(74) *Attorney, Agent, or Firm*—Heslin Rothenberg Farley & Mesiti P.C.

(57) **CLAIM**

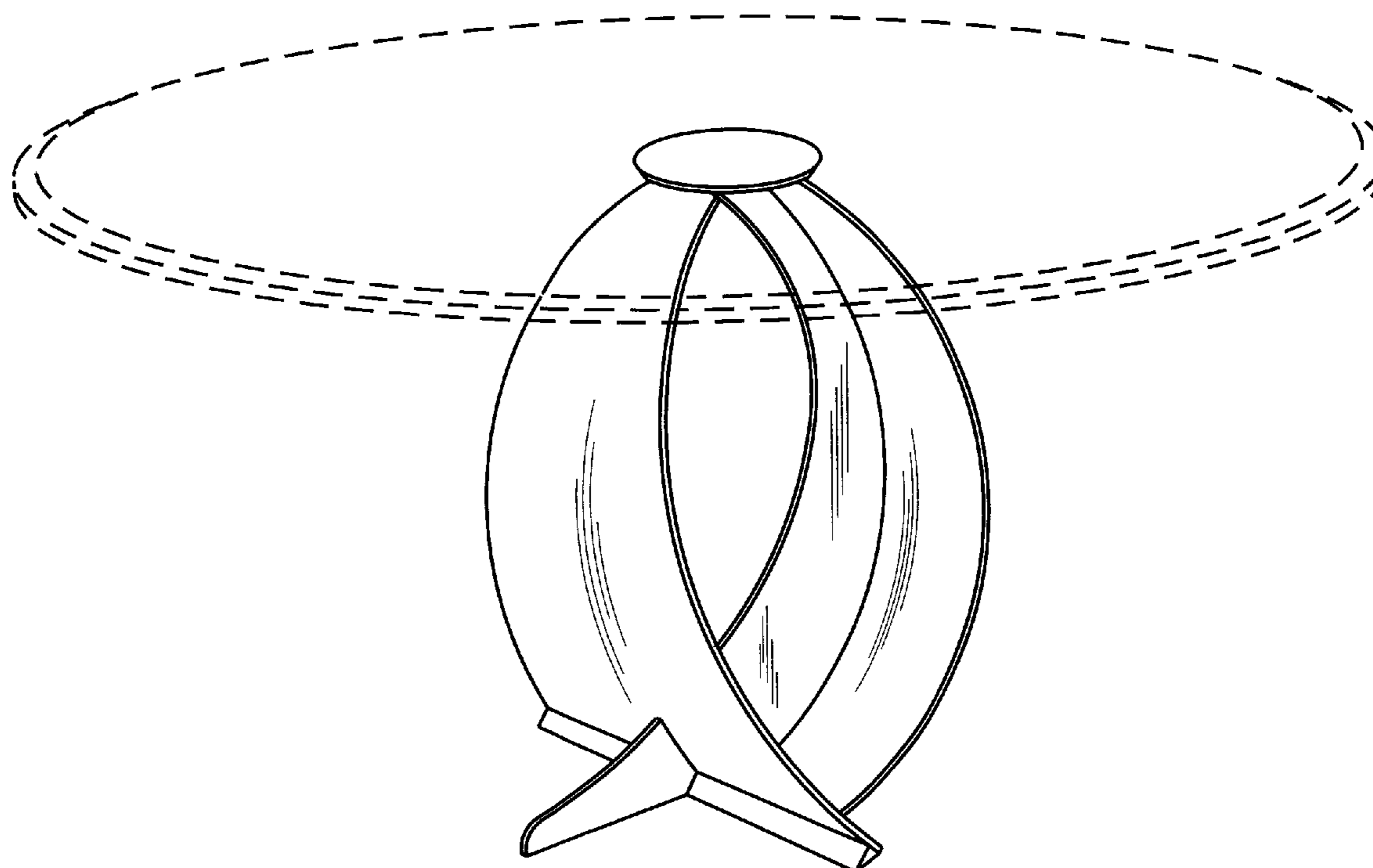
The ornamental design for a table base, as shown and described.

DESCRIPTION

FIG. 1 is a perspective view of a table base in accordance with the new design;
 FIG. 2 is a front elevational view thereof;
 FIG. 3 is a rear elevational view thereof;
 FIG. 4 is a right side elevational view thereof;
 FIG. 5 is a left side elevational view thereof;
 FIG. 6 is a top view thereof;
 FIG. 7 is a perspective view of an alternative embodiment of a table base in accordance with the new design;
 FIG. 8 is a front elevational view thereof, a rear elevational view being a mirror image thereof;
 FIG. 9 is a right side elevational view thereof;
 FIG. 10 is a left side elevational view thereof; and,
 FIG. 11 is a top view thereof.

The broken lines in the figures are for illustrative purposes only and form no part of the claimed invention.

1 Claim, 11 Drawing Sheets



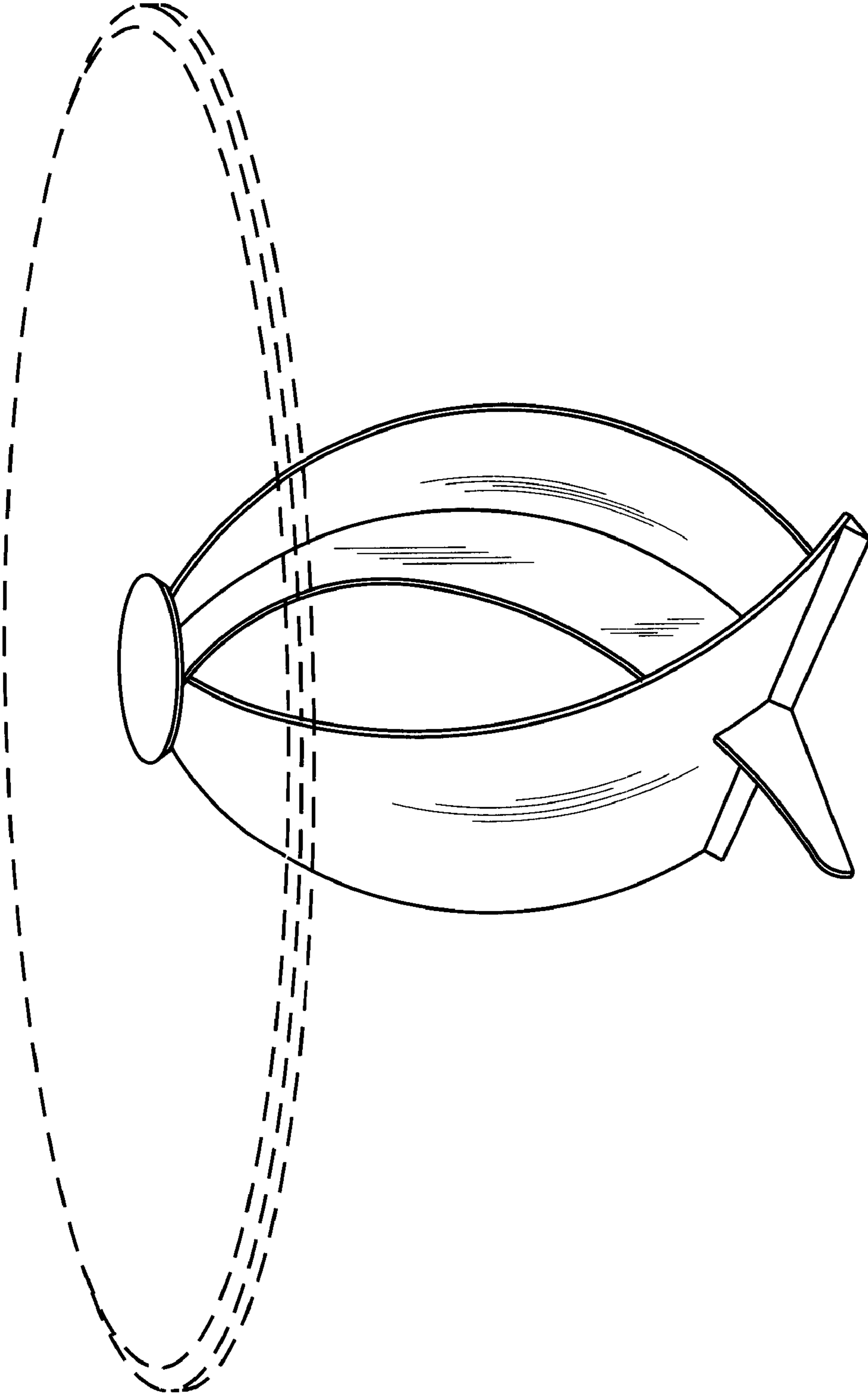


fig. 1

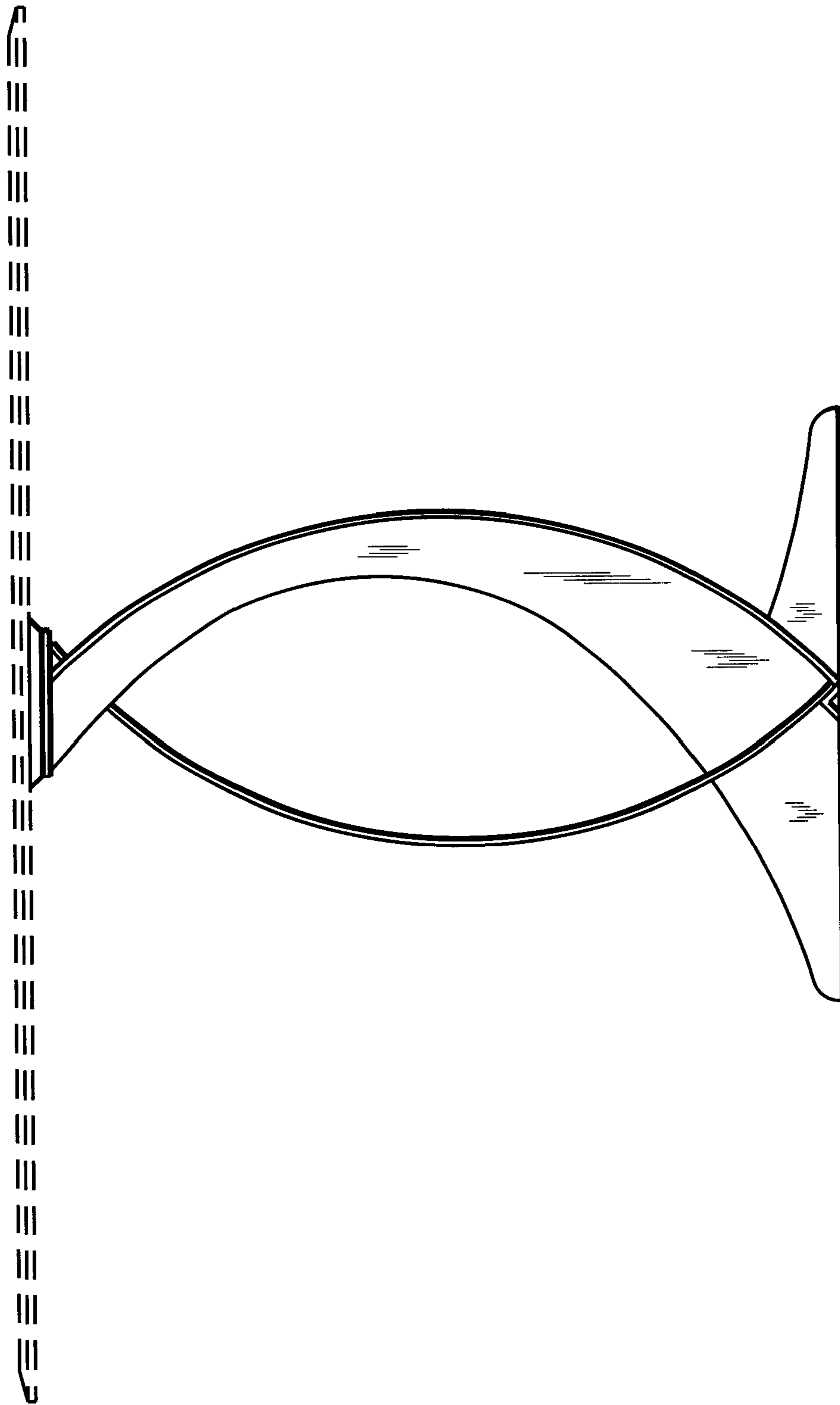


fig. 2

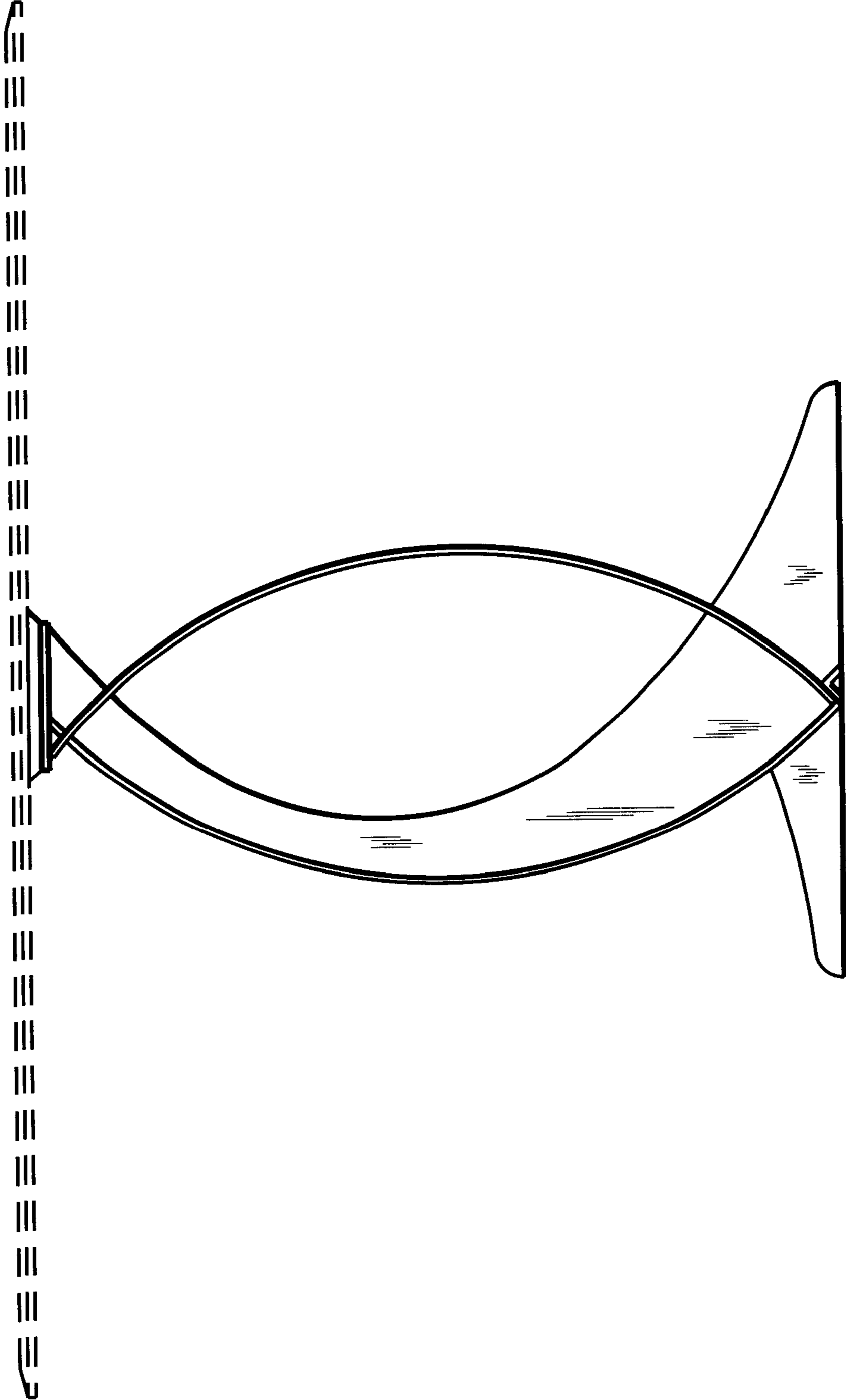


fig. 3

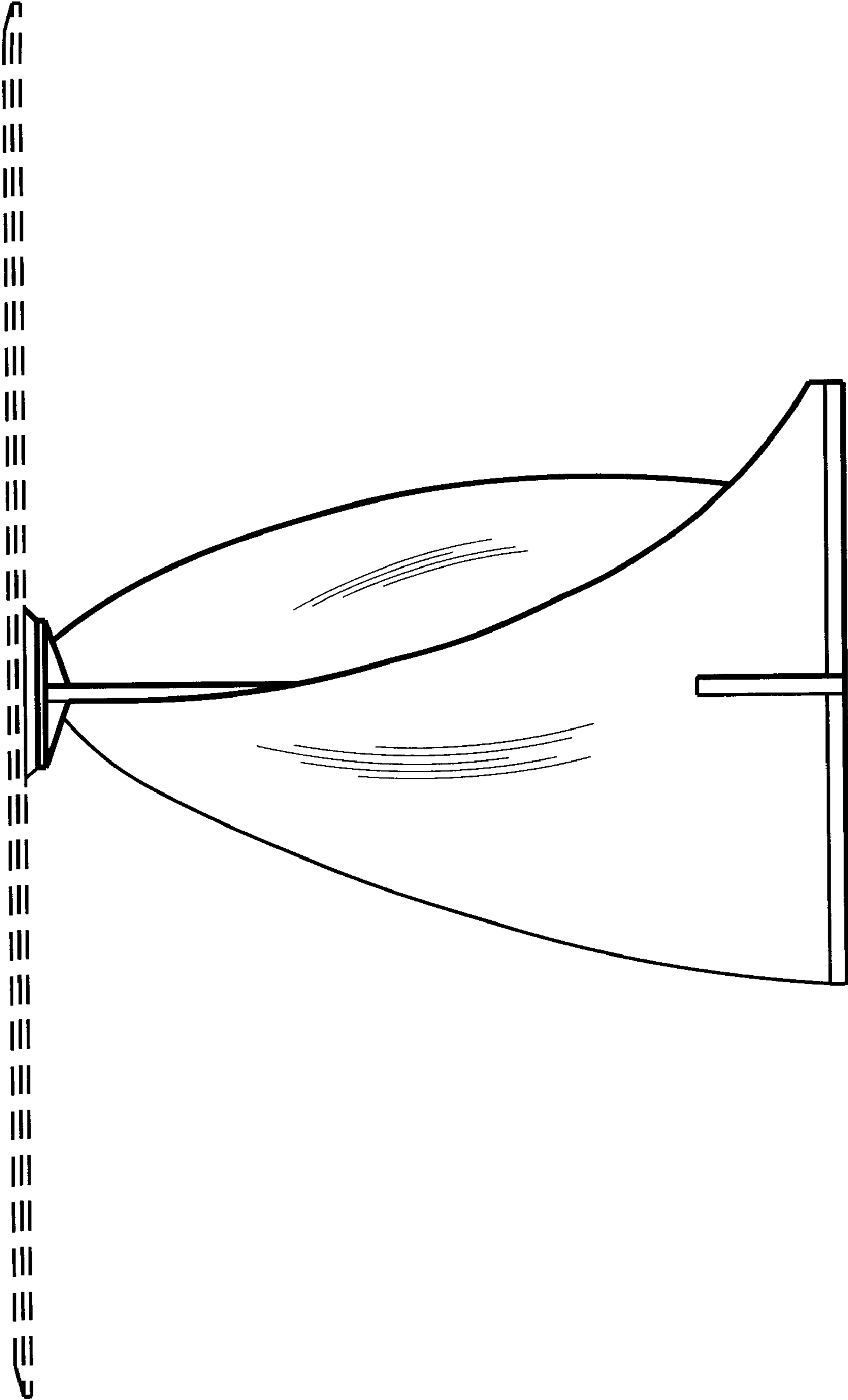


fig. 4

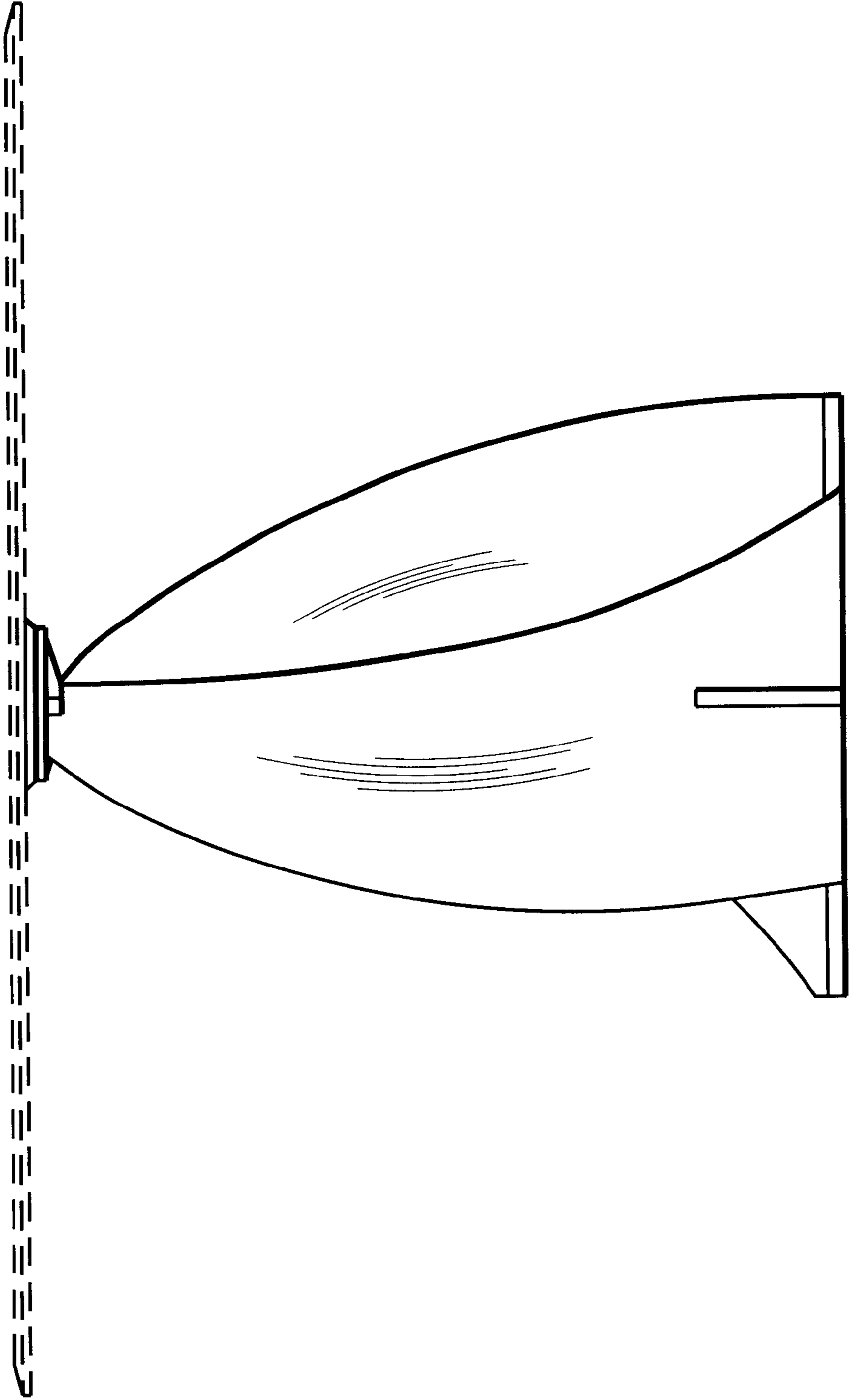


fig. 5

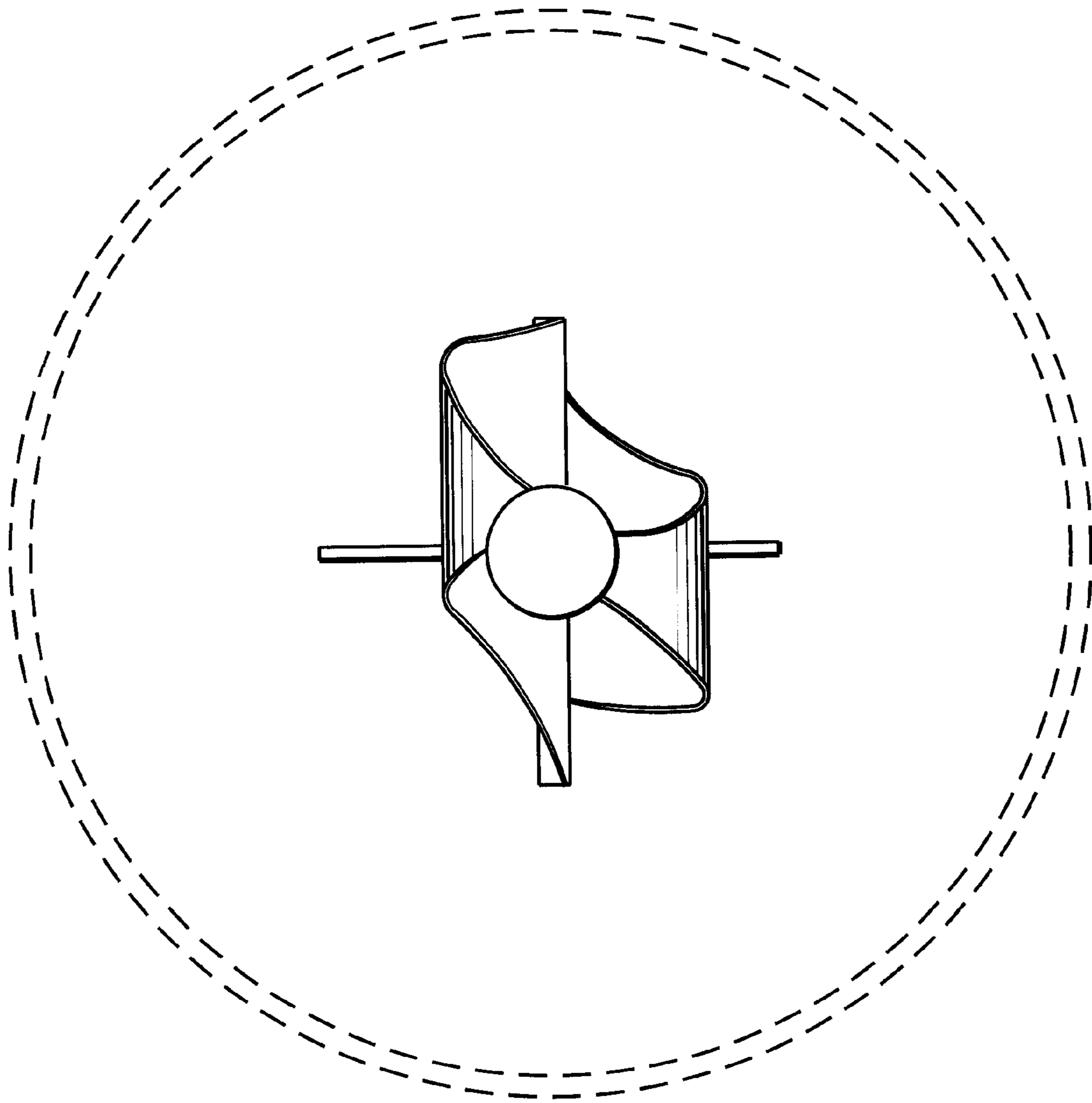


fig. 6

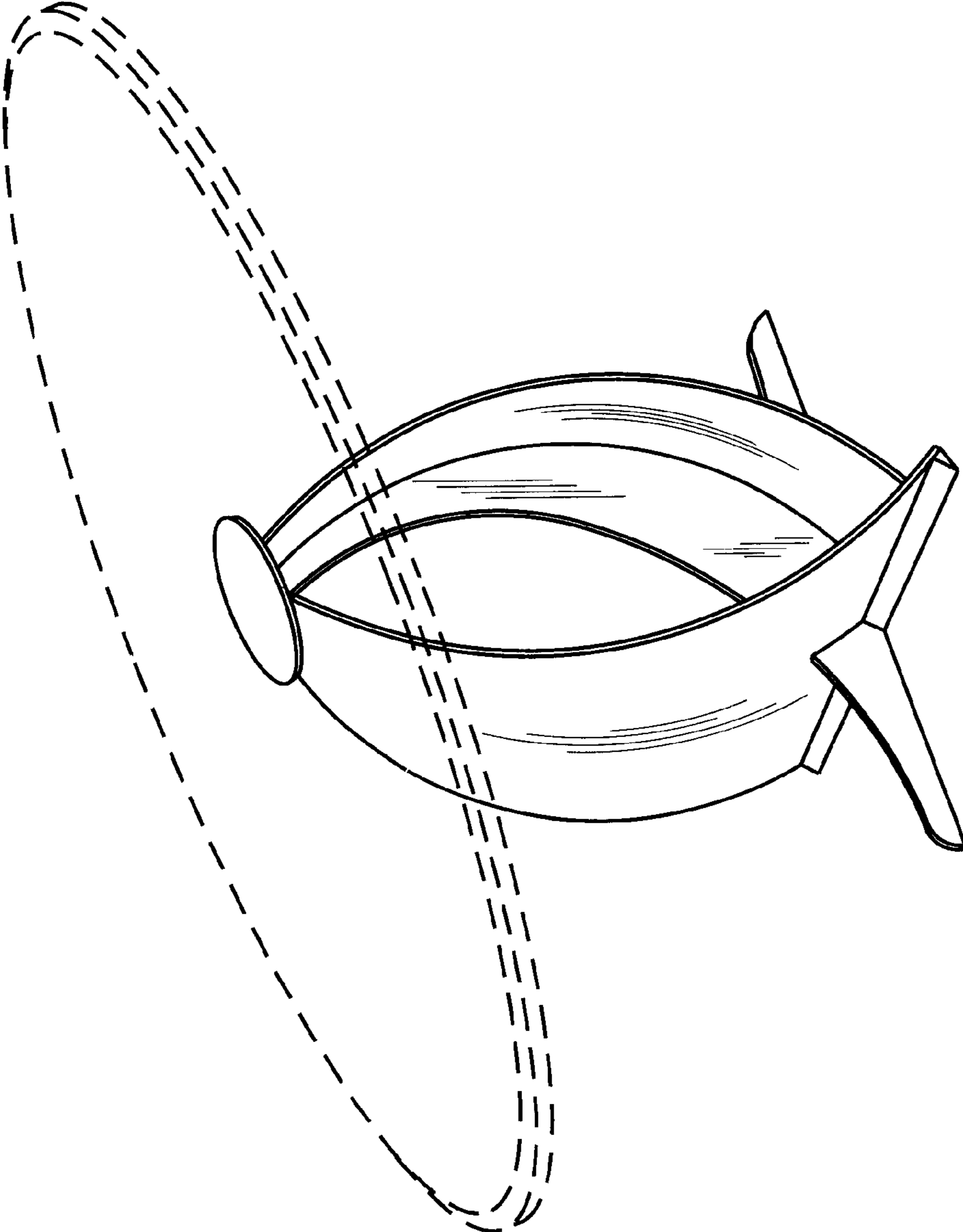


fig. 7

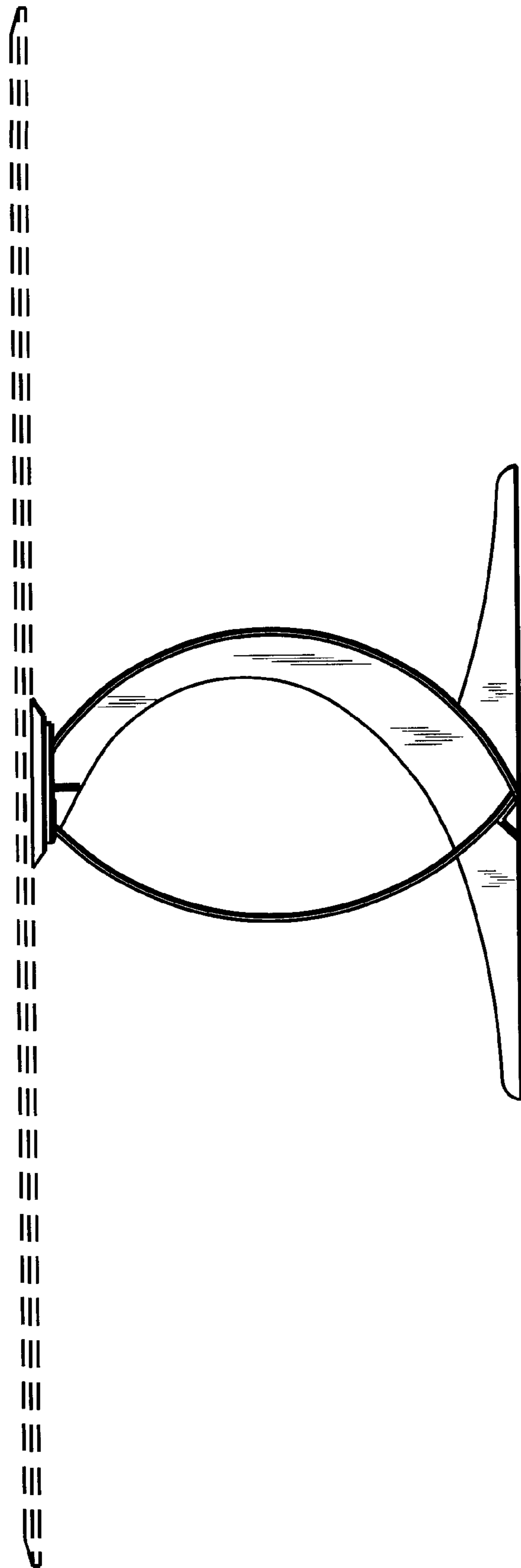


fig. 8

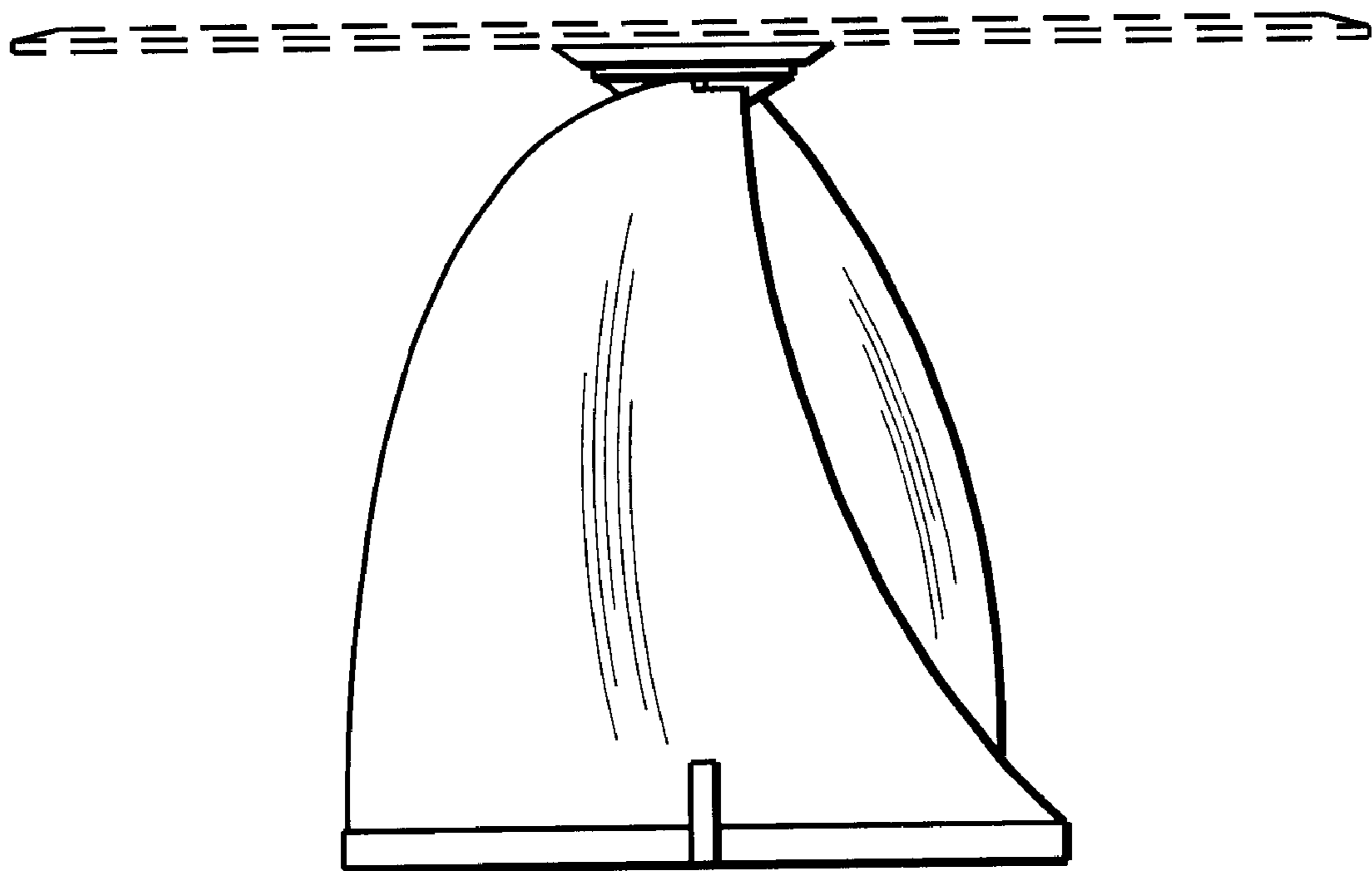


fig. 9

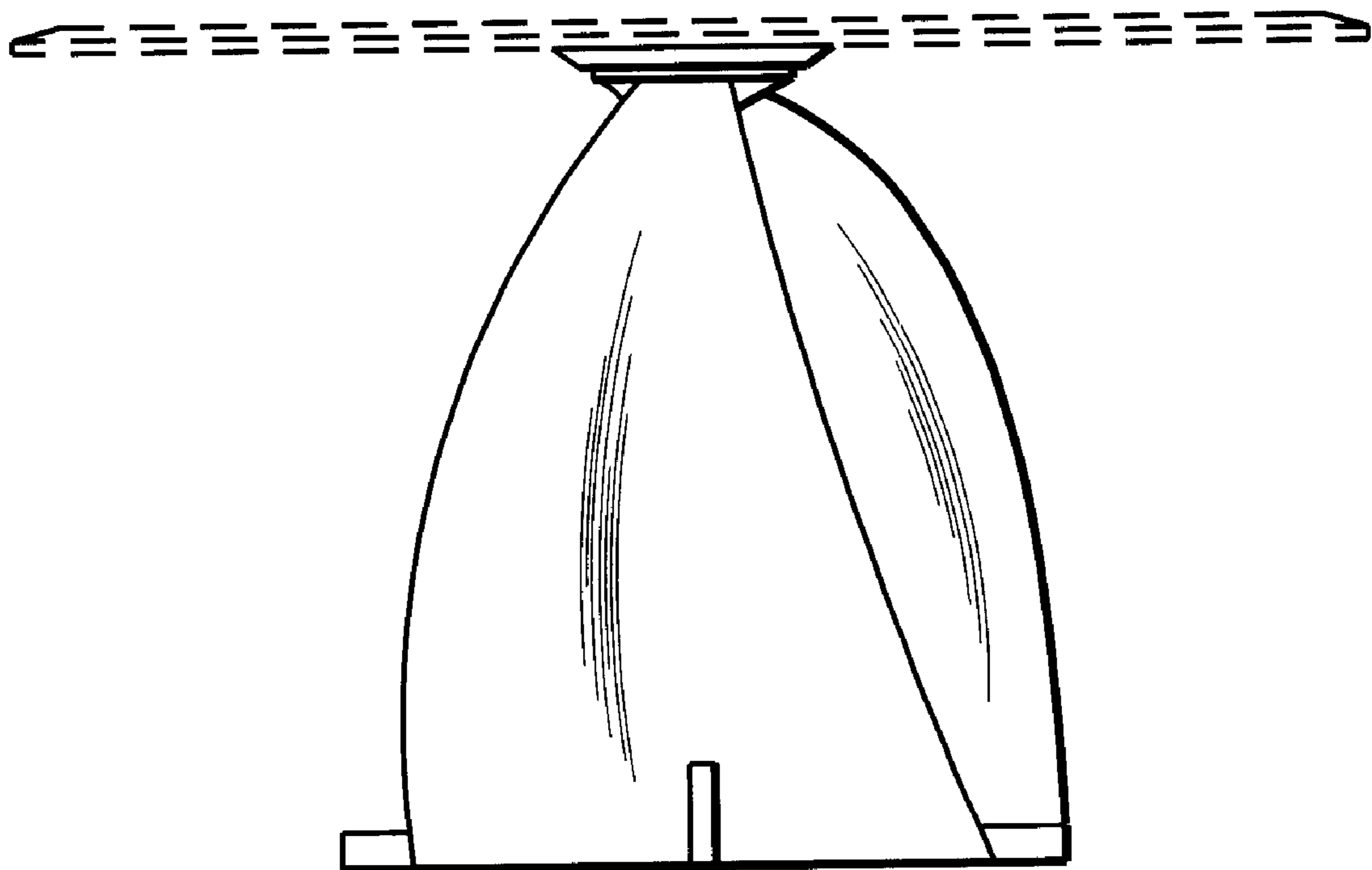


fig. 10

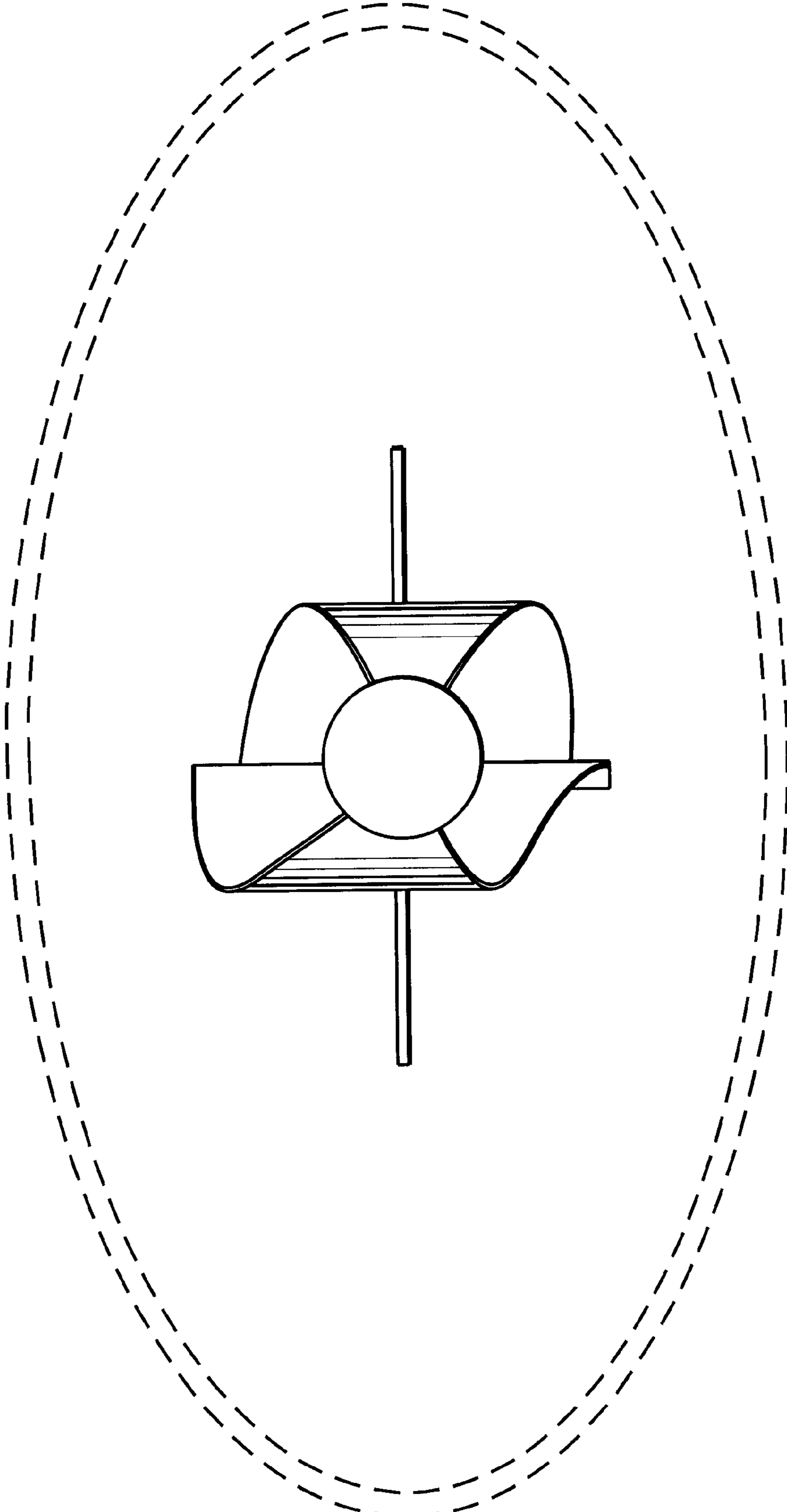


fig. 11