



US00D509380S

(12) **United States Design Patent** (10) **Patent No.:** **US D509,380 S**  
**Lines** (45) **Date of Patent:** **\*\* Sep. 13, 2005**

(54) **MOBILE FOOD DISPLAY AND SERVING MERCHANDISER**

(75) Inventor: **Randy L. Lines**, Lincoln, MO (US)

(73) Assignee: **Duke Manufacturing Company**, St. Louis, MO (US)

(\*\*) Term: **14 Years**

(21) Appl. No.: **29/197,452**

(22) Filed: **Jan. 15, 2004**

(51) **LOC (8) Cl.** ..... **06-04**

(52) **U.S. Cl.** ..... **D6/470; D6/481**

(58) **Field of Search** ..... D6/432, 436-441, D6/445-448, 470-472, 480, 481; 312/114, 204, 224; 186/44, 45

(56) **References Cited**

**U.S. PATENT DOCUMENTS**

D142,865 S	*	11/1945	Ingersoll	.....	D6/437
2,894,604 A		7/1959	McMillan et al.		
2,900,045 A		8/1959	Conklin et al.		
3,170,541 A		2/1965	Werner		
D247,079 S	*	1/1978	Otema	.....	D6/436
RE29,767 E		9/1978	Futch		
D259,316 S	*	5/1981	Offredi	.....	D6/436
D262,926 S	*	2/1982	Woolford	.....	D6/471
D281,208 S	*	11/1985	Raftery	.....	D6/449
D301,290 S	*	5/1989	Otema	.....	D6/470
D302,221 S	*	7/1989	Suttles et al.	.....	D6/481
D326,024 S		5/1992	Boyd et al.		
5,163,536 A		11/1992	Tuhro et al.		
D348,367 S	*	7/1994	Geisen et al.	.....	D6/481
D349,618 S	*	8/1994	Barfield	.....	D6/482

5,413,135 A		5/1995	Poole		
D363,176 S	*	10/1995	Berry et al.	.....	D6/436
D440,431 S	*	4/2001	Alexandersson	.....	D6/446
D449,467 S	*	10/2001	Bedard	.....	D6/470
D452,392 S	*	12/2001	Meder et al.	.....	D6/432
D457,361 S		5/2002	Dudley		
D473,074 S	*	4/2003	Cimini et al.	.....	D6/470
6,561,317 B1		5/2003	Dudley		
D477,617 S	*	7/2003	Resch	.....	D15/83
D485,701 S	*	1/2004	Bridgewater	.....	D6/442

**OTHER PUBLICATIONS**

Serving Systems Catalogue of Duke Manufacturing Company, dated Aug. 2001.

Website of Spartan Showcase, Inc., Food Service and Store Equipment, 11 pages, dated Mar. 8, 2004.

\* cited by examiner

*Primary Examiner*—Cathron C. Brooks

(74) *Attorney, Agent, or Firm*—Senniger Powers

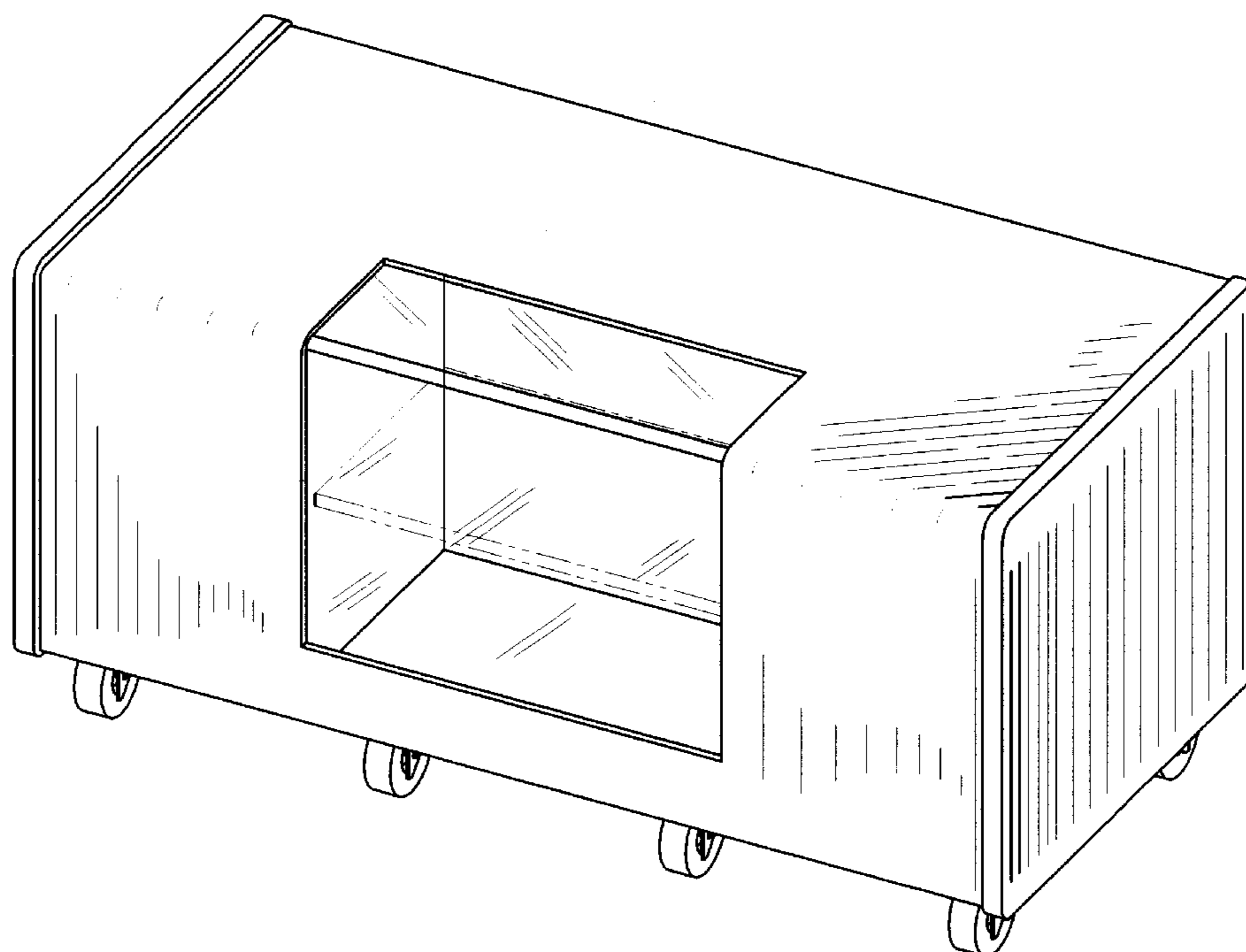
(57) **CLAIM**

The ornamental design for a mobile food display and serving merchandiser, as shown and described.

**DESCRIPTION**

FIG. 1 is a front perspective view of a mobile food display and serving merchandiser embodying the invention, FIG. 2 is a top plan view thereof, FIG. 3 is a front elevational view thereof; and, FIG. 4 is a rear elevational view thereof. The interior merchandise shelving is shown in phantom lines in FIGS. 1, 3 and 4 for environmental purposes, and forms no part of the claimed design.

**1 Claim, 4 Drawing Sheets**



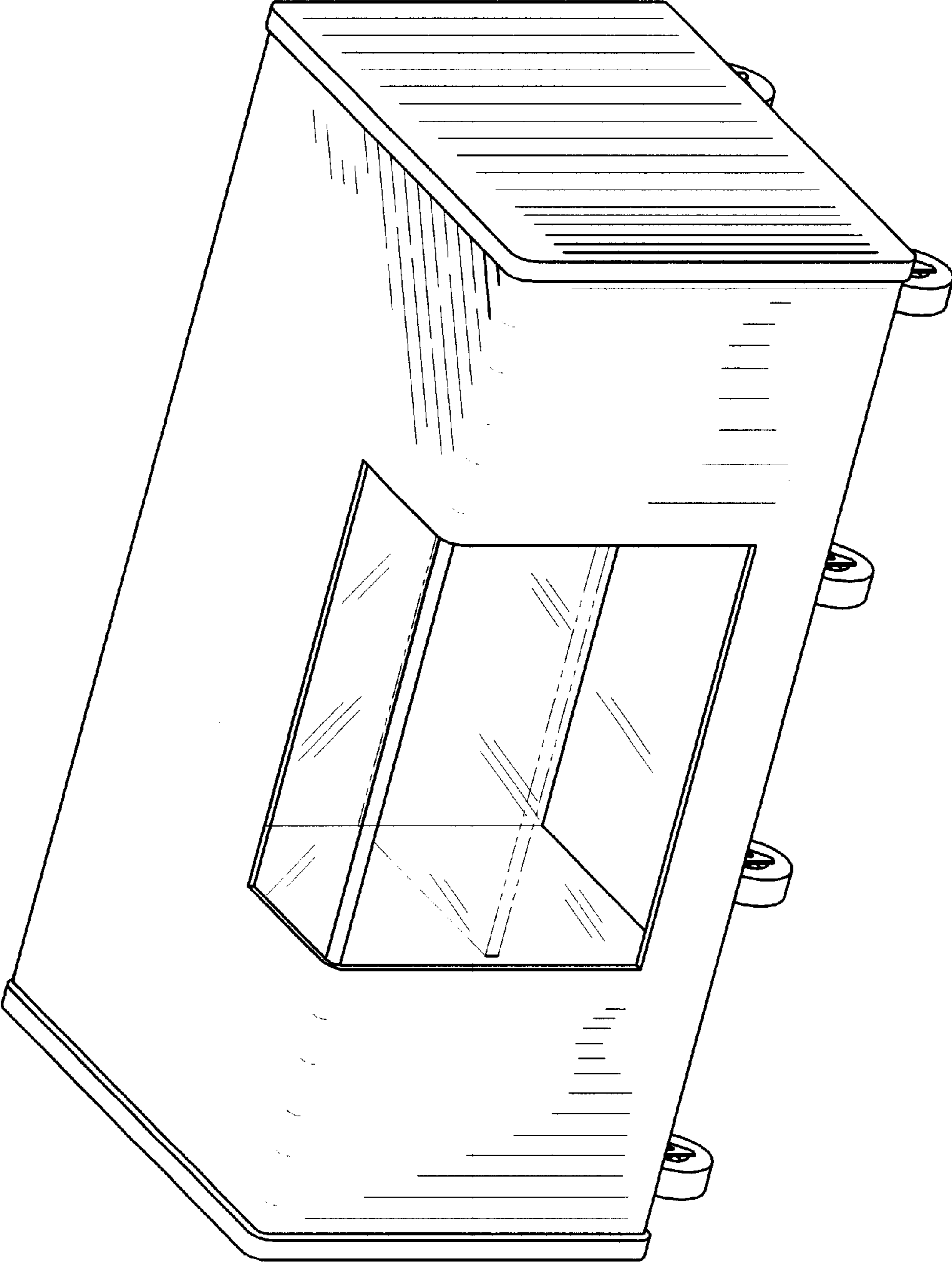


FIG. 1

FIG. 2

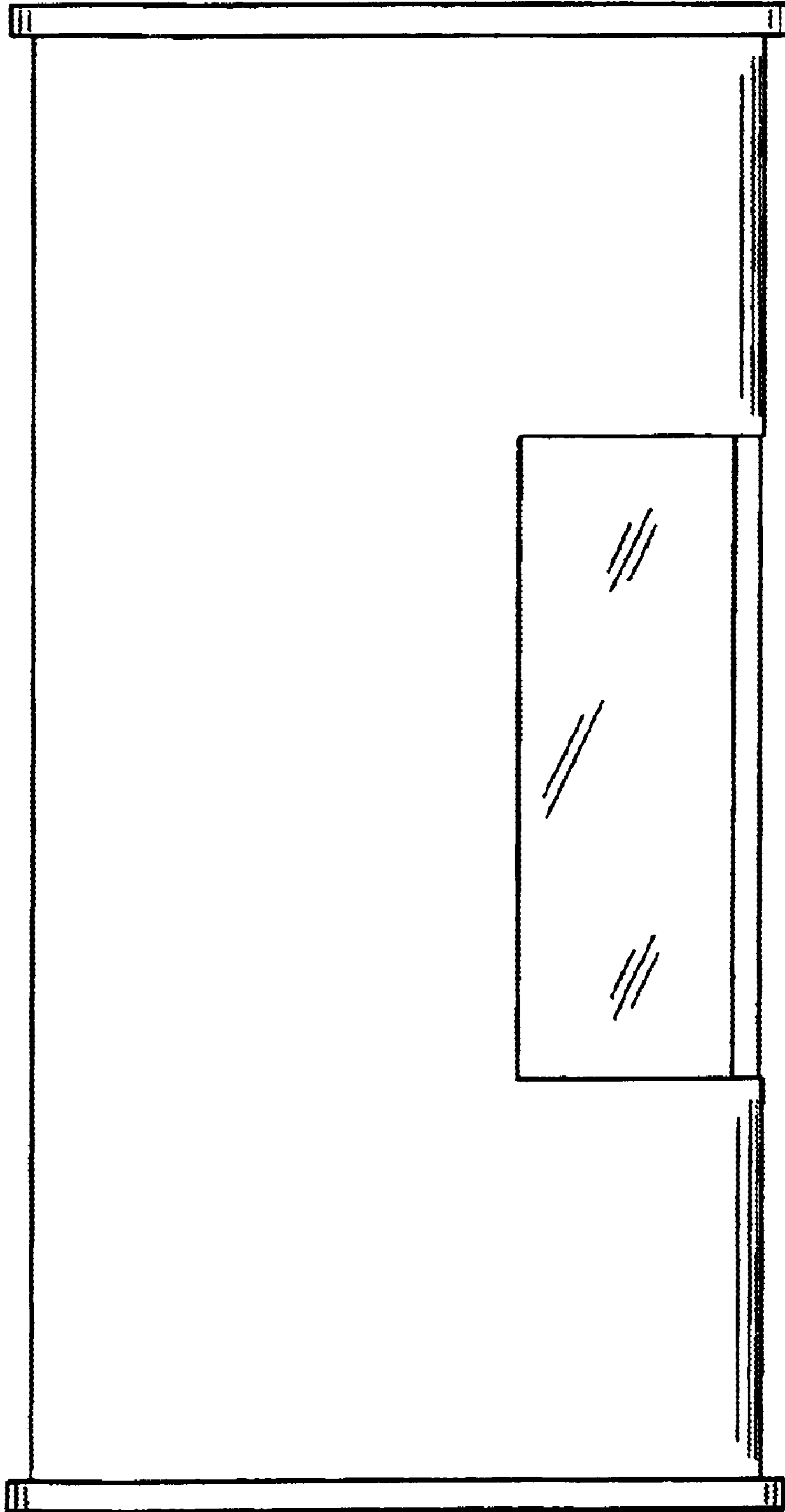


FIG. 3

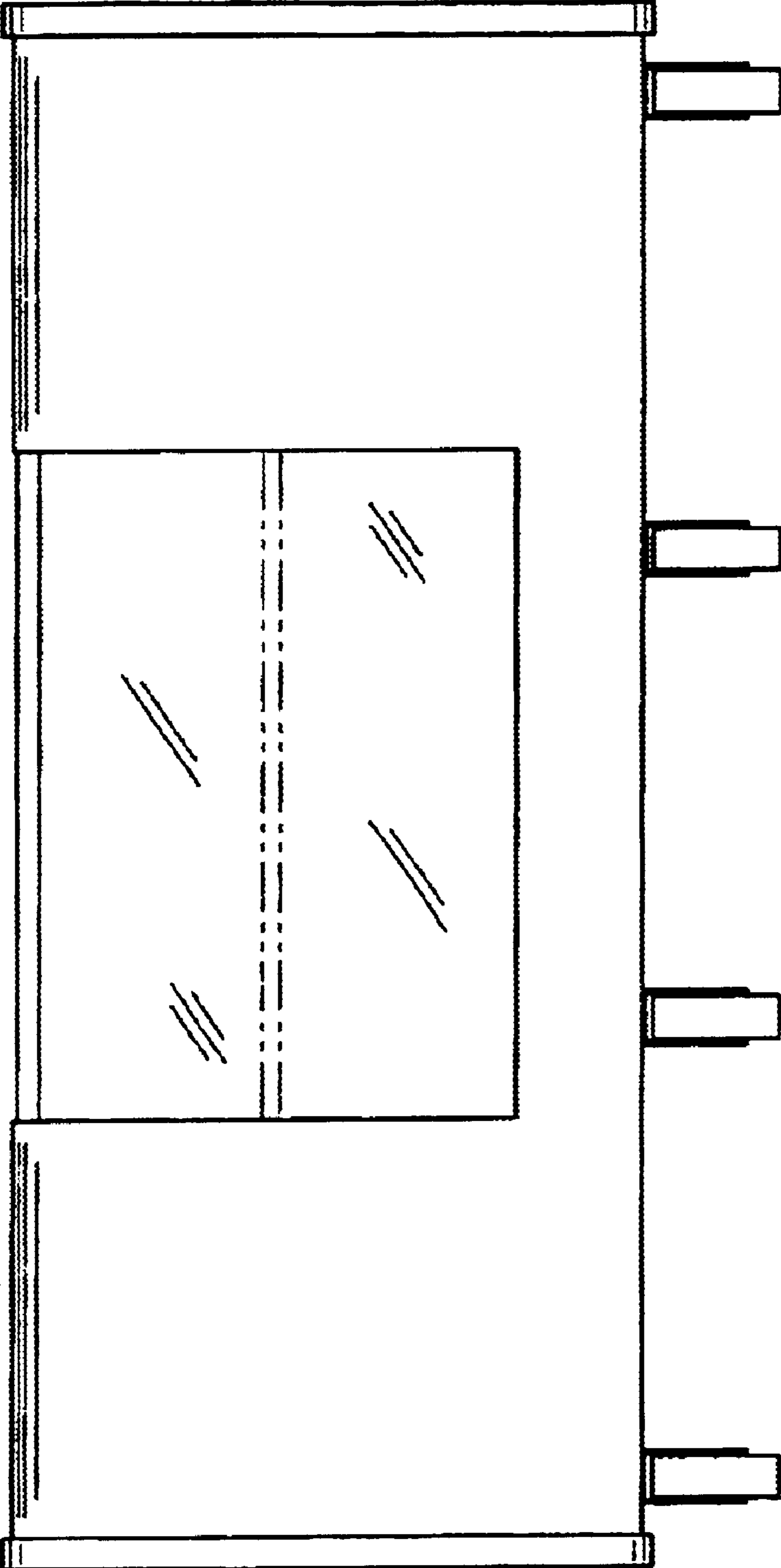


FIG. 4

