

US00D509379S

(12) **United States Design Patent**
Mohundro

(10) **Patent No.: US D509,379 S**

(45) **Date of Patent: ** *Sep. 13, 2005**

(54) **DRESSER**

(75) Inventor: **James Glenn Mohundro**, Taichung (TW)

(73) Assignee: **Pacific Marketing International (H.K.), Ltd.**, Taichung (TW)

(*) Notice: This patent is subject to a terminal disclaimer.

(**) Term: **14 Years**

(21) Appl. No.: **29/203,368**

(22) Filed: **Apr. 14, 2004**

(51) **LOC (8) Cl.** **06-04**

(52) **U.S. Cl.** **D6/446**

(58) **Field of Search** D6/436-439, 441, D6/444-448; 312/114, 204, 224, 278-279

(56) **References Cited**

U.S. PATENT DOCUMENTS

- D102,631 S * 1/1937 Fay D6/445
- D351,074 S * 10/1994 Ferguson D6/446
- D363,838 S * 11/1995 Paus D6/446
- D374,783 S * 10/1996 Keller et al. D6/444
- D374,784 S * 10/1996 Brunner et al. D6/445
- D376,057 S * 12/1996 Brunner et al. D6/445

- D401,444 S * 11/1998 Lin D6/446
- D412,413 S * 8/1999 Keller et al. D6/445
- D430,427 S * 9/2000 Cain D6/446
- D433,845 S * 11/2000 Wilson et al. D6/446

OTHER PUBLICATIONS

Furniture Today, Crawford dresser, p. 184 Apr. 12, 1999.*
Furniture Today, Kincaid dresser, p. 150 Oct. 11, 1999.*

* cited by examiner

Primary Examiner—Cathron C. Brooks

(74) *Attorney, Agent, or Firm*—Rosenberg, Klein & Lee

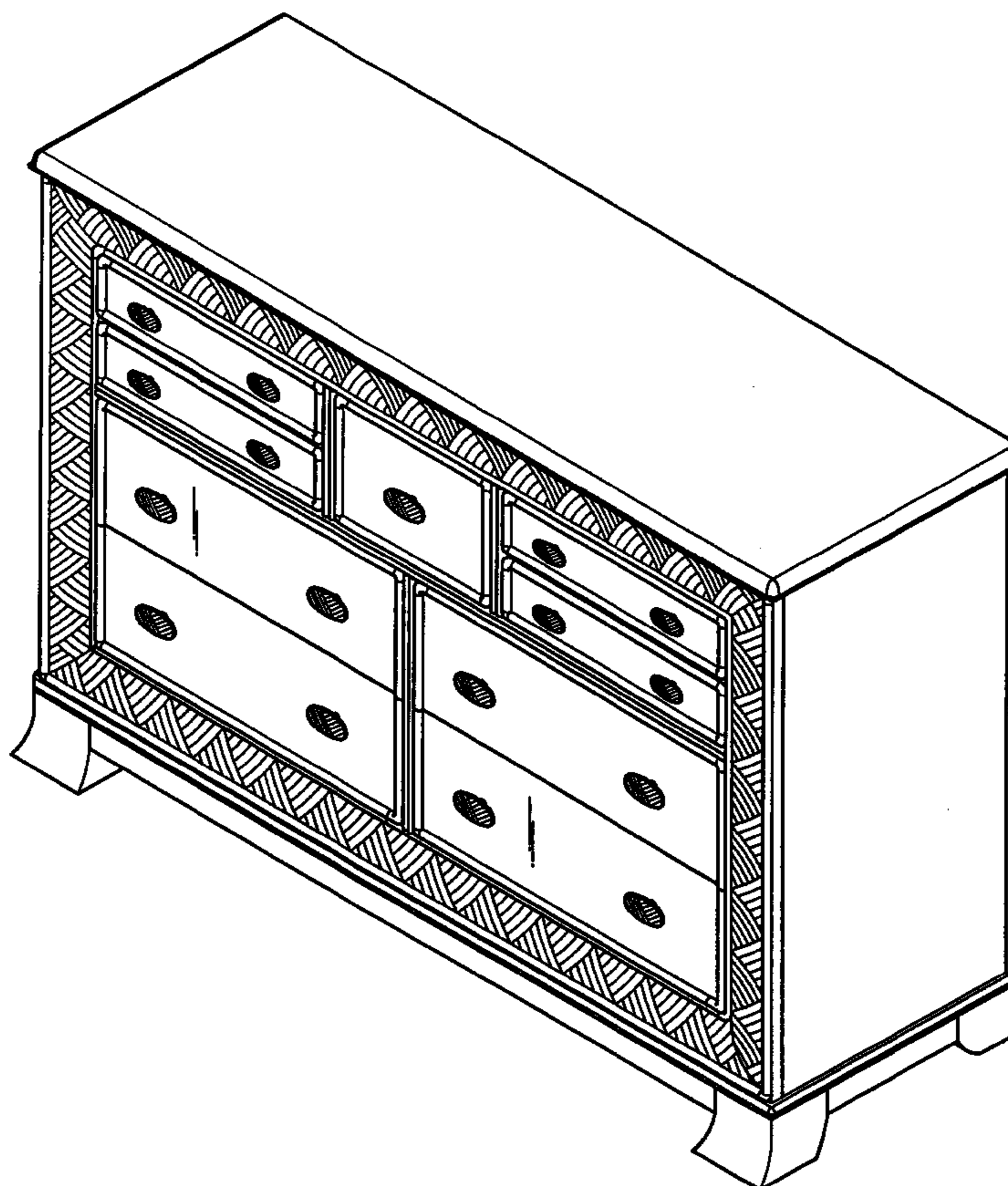
(57) **CLAIM**

The ornamental design for a dresser, as shown and described.

DESCRIPTION

FIG. 1 is a front-top perspective view of a dresser, showing my new design;
FIG. 2 is a front elevational view thereof;
FIG. 3 is a rear elevational view thereof;
FIG. 4 is a left elevational view thereof;
FIG. 5 is a right elevational view thereof;
FIG. 6 is a top plan view thereof; and,
FIG. 7 is a bottom plan view thereof.

1 Claim, 5 Drawing Sheets



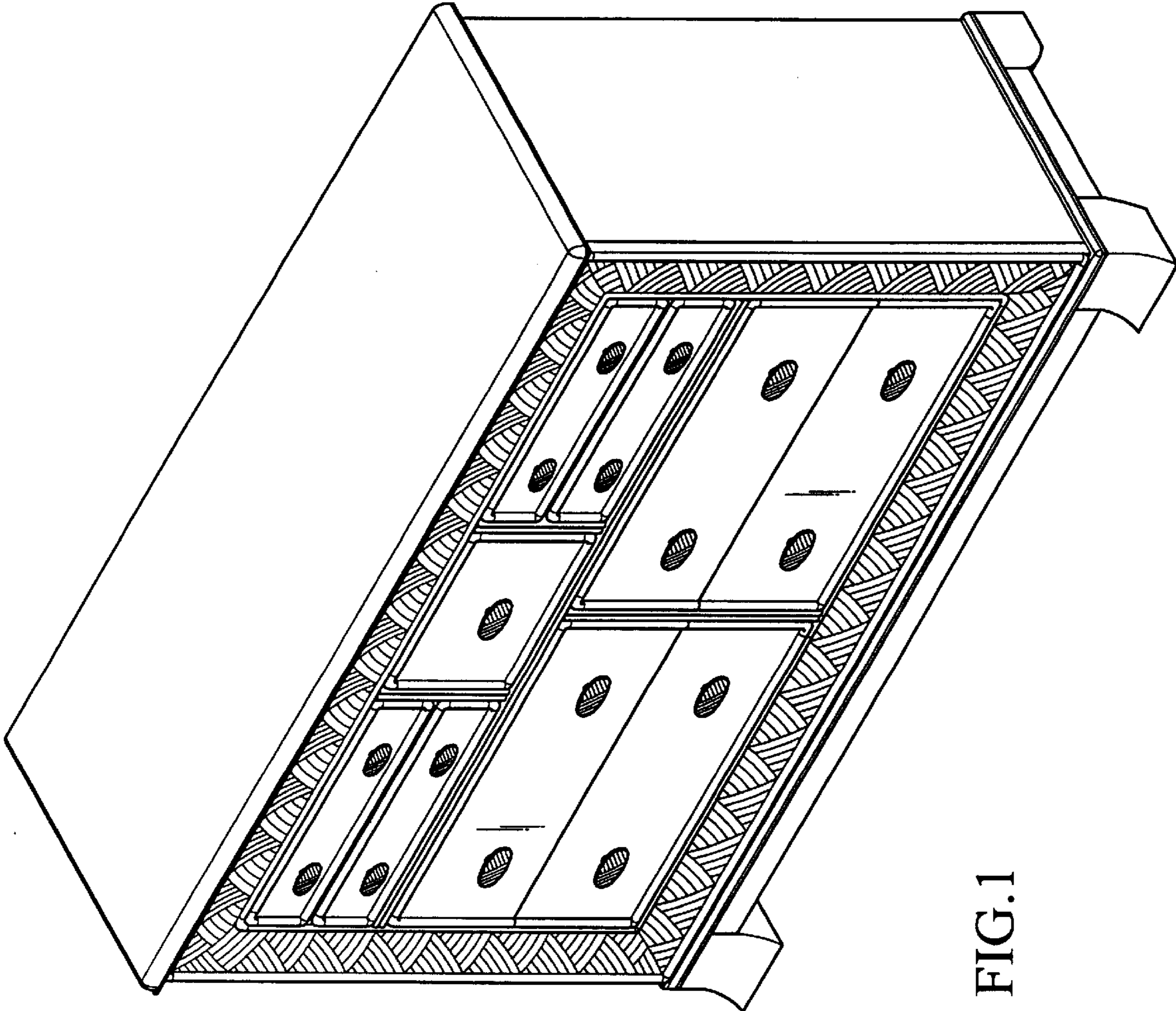


FIG.1

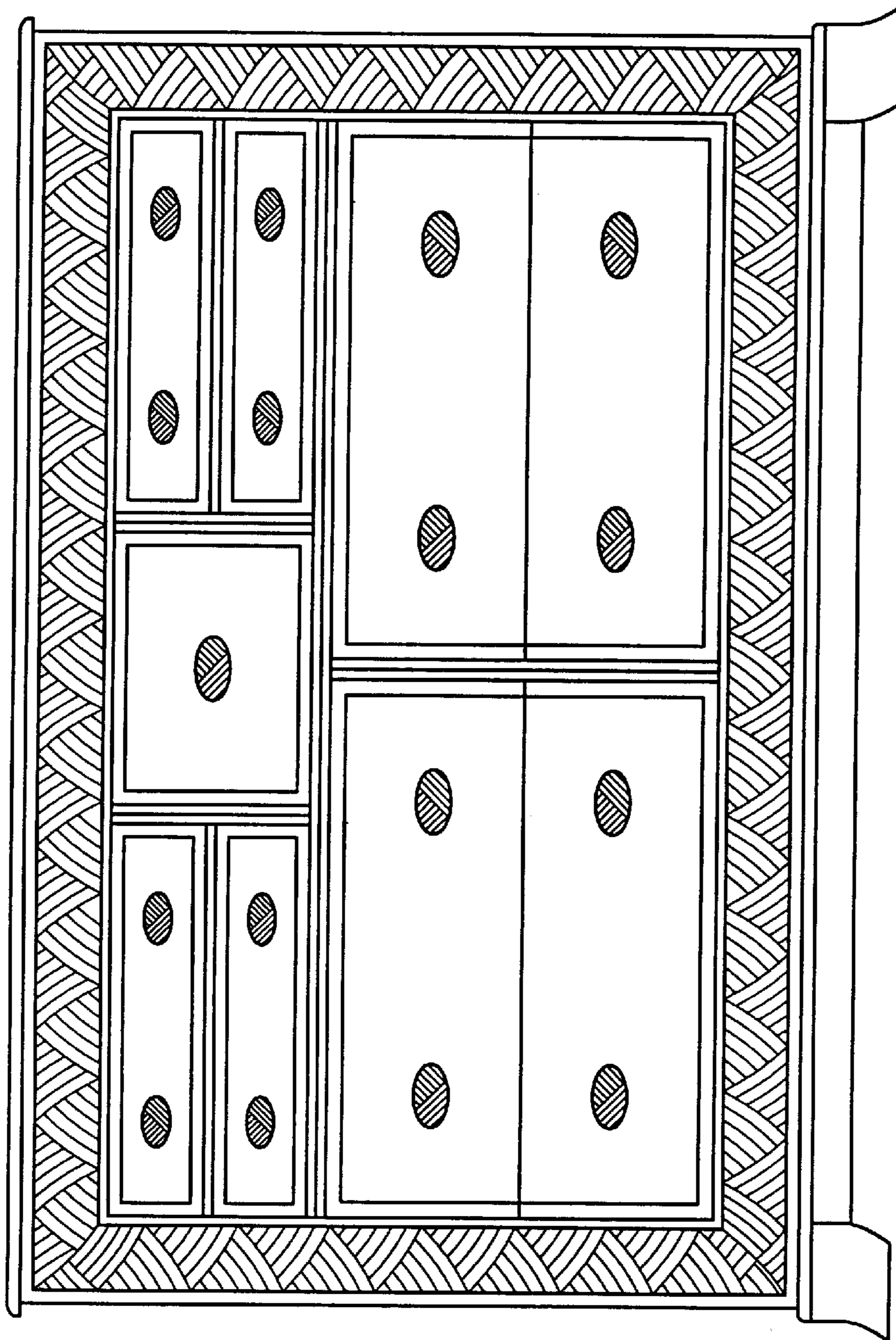


FIG.2

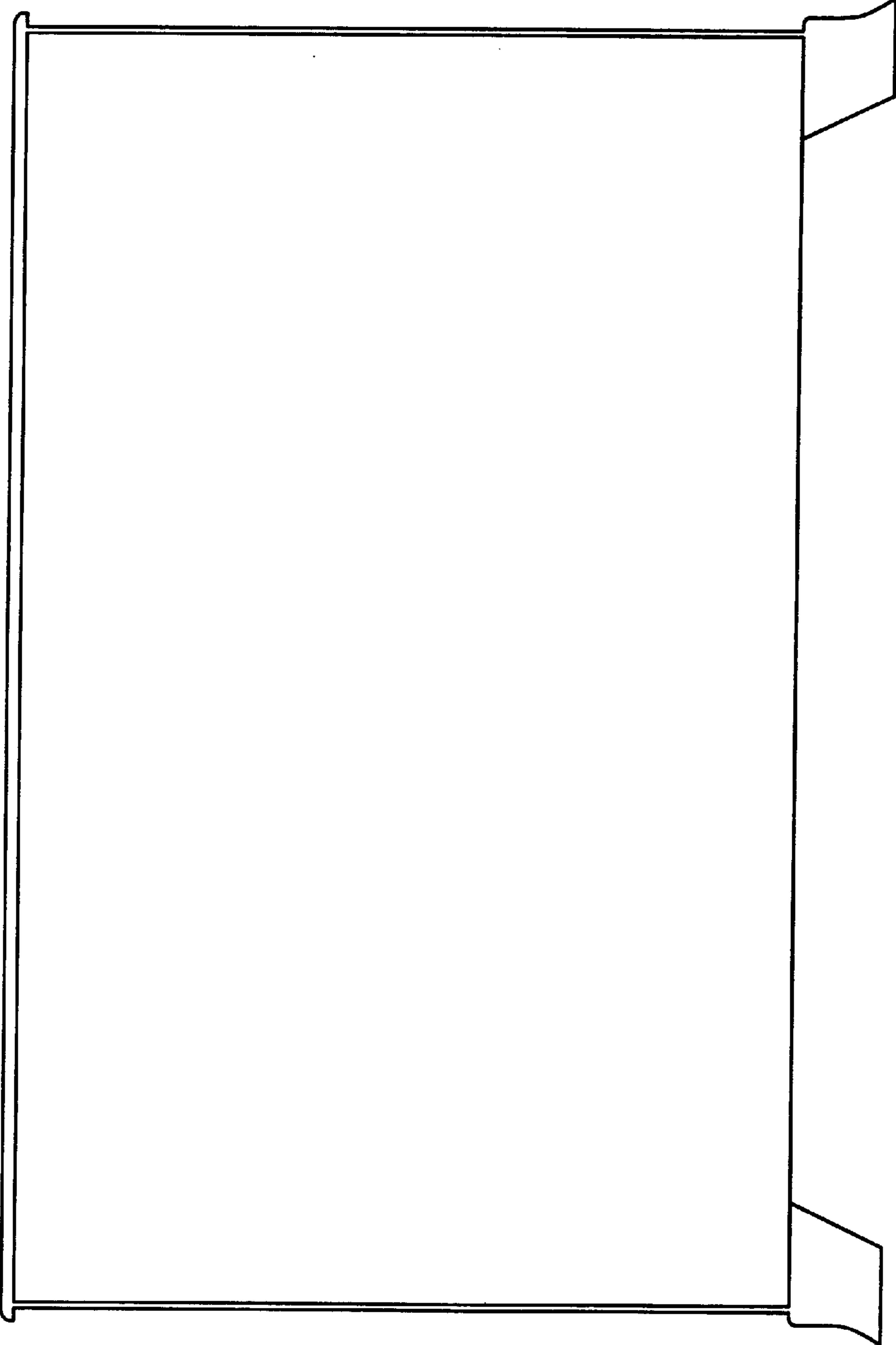


FIG.3

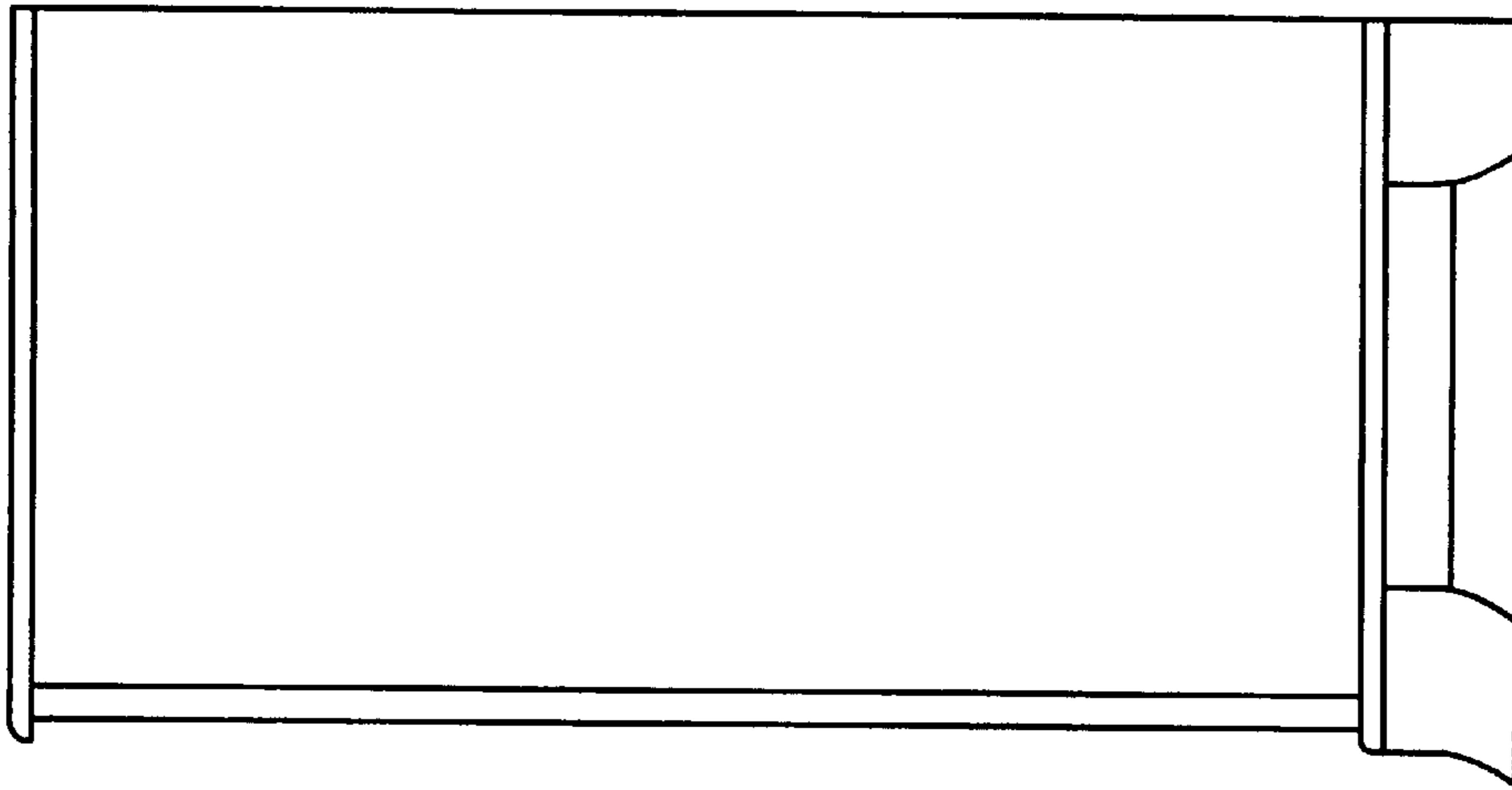


FIG.5

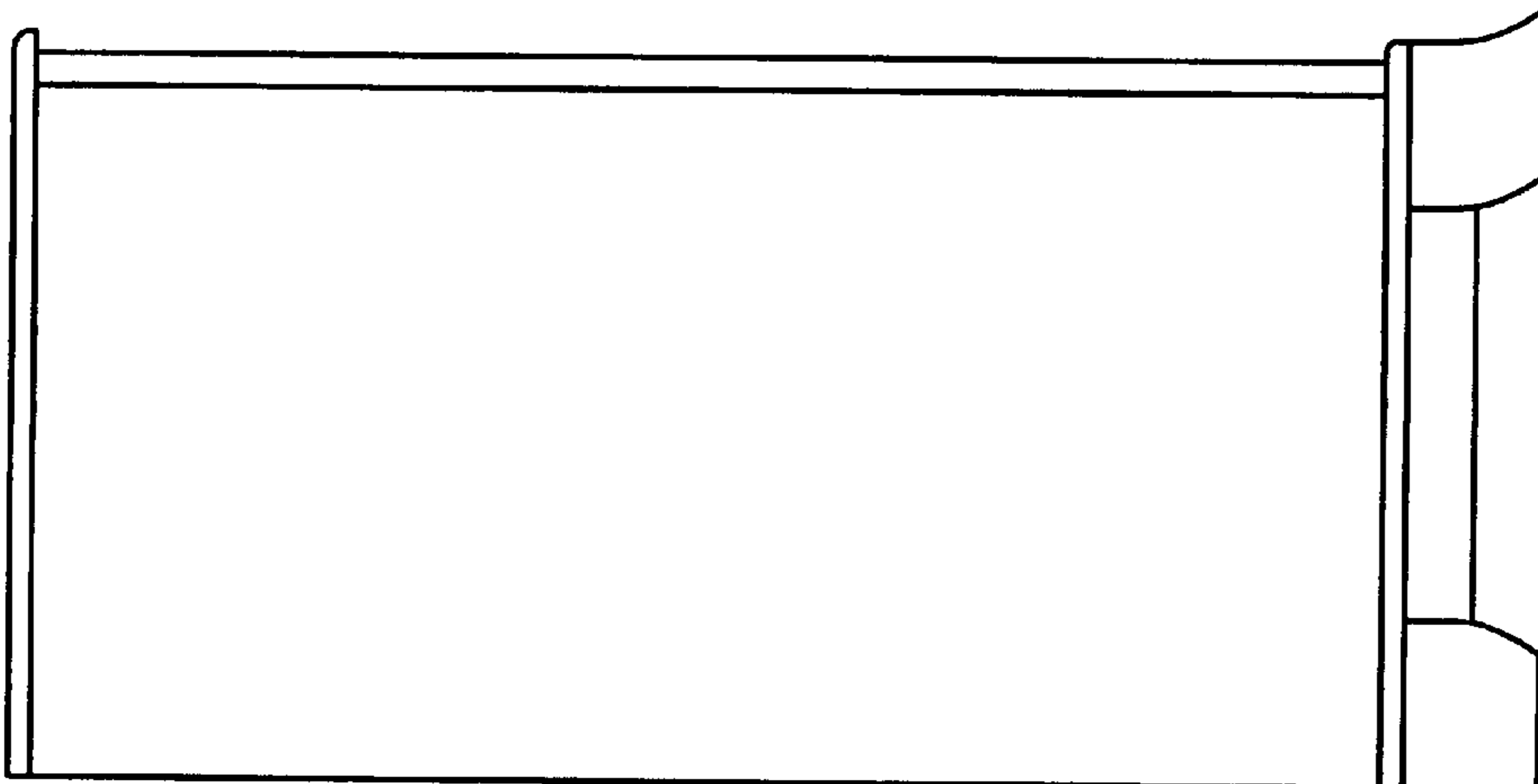


FIG.4

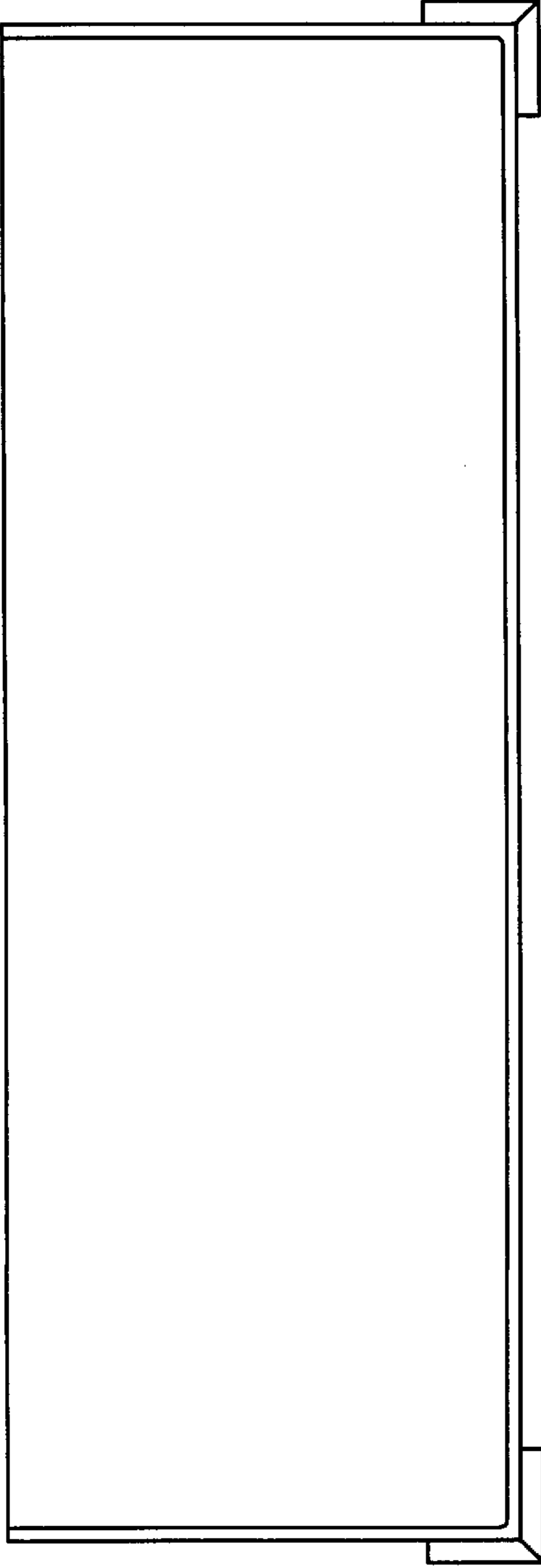


FIG. 6

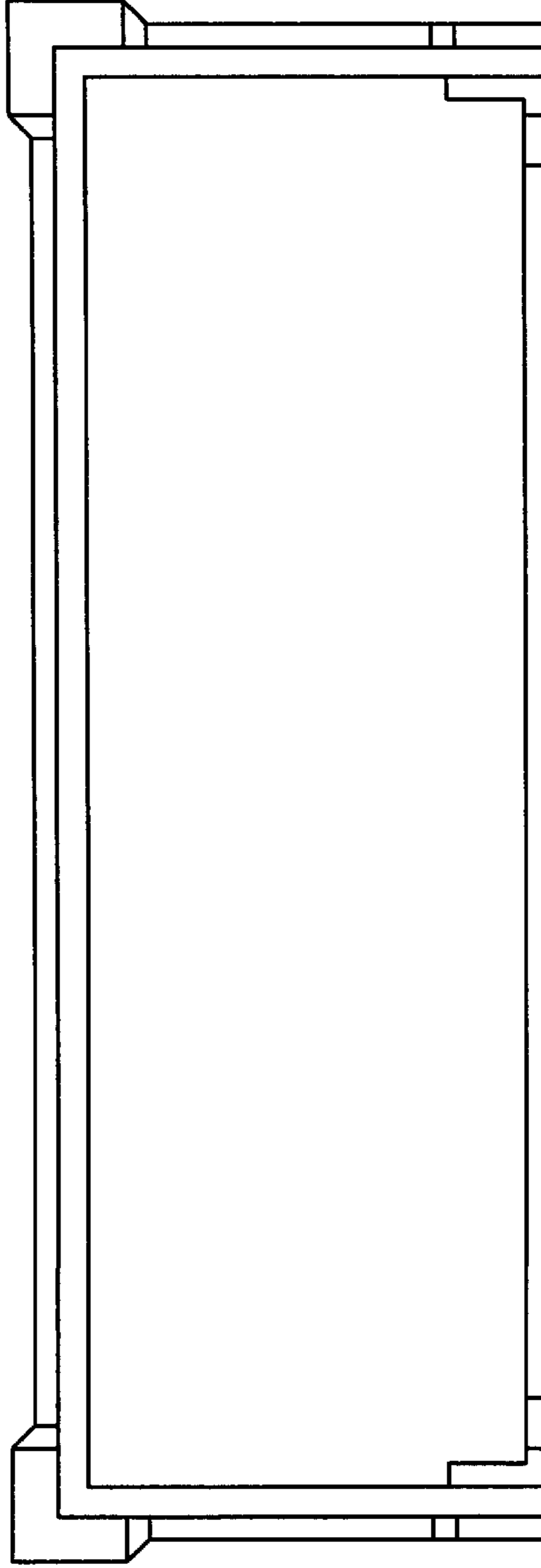


FIG. 7