



US00D509375S

(12) **United States Design Patent**
O'Hare

(10) **Patent No.:** **US D509,375 S**

(45) **Date of Patent:** **** Sep. 13, 2005**

(54) **BOX**

(75) **Inventor:** **Timothy M. O'Hare**, Oak Ridge, NC (US)

(73) **Assignee:** **Thomasville Furniture Industries, Inc.**, Thomasville, NC (US)

(**) **Term:** **14 Years**

(21) **Appl. No.:** **29/216,041**

(22) **Filed:** **Oct. 28, 2004**

(51) **LOC (8) Cl.** **06-04**

(52) **U.S. Cl.** **D6/425; D6/484; D6/432**

(58) **Field of Search** **D6/425, 429, 432, D6/436-441, 445-448, 484; 312/114, 204, 224**

(56) **References Cited**

U.S. PATENT DOCUMENTS

D106,685 S	*	10/1937	Gaeko	D6/425
D113,318 S	*	2/1939	Barnette	D6/438
D125,862 S	*	3/1941	Kranz	D6/446
D147,806 S	*	11/1947	Nieman	D6/488
D313,902 S	*	1/1991	Yau Kee	D6/446
D322,525 S	*	12/1991	Powell	D6/440
D328,829 S	*	8/1992	Wisner	D6/436
D329,553 S	*	9/1992	White	D6/484
D439,440 S	*	3/2001	Mathieu et al.	D6/446
D457,358 S	*	5/2002	Wistehuff, Sr.	D6/484
D474,920 S	*	5/2003	Holt	D6/425

D493,051 S	*	7/2004	Restemayer	D6/484
D496,189 S	*	9/2004	Peterson et al.	D6/446

OTHER PUBLICATIONS

Thomasville, Four Corners, Box Table, p. 25 1988.*
Box, source and date unknown, available as of the filing date.

* cited by examiner

Primary Examiner—Cathron C. Brooks

(74) *Attorney, Agent, or Firm*—Womble Carlyle Sandridge & Rice, PLLC

(57) **CLAIM**

The ornamental design for a box, as shown and described.

DESCRIPTION

FIG. 1 is a perspective view of a box showing my new design;

FIG. 2 is a front perspective view thereof;

FIG. 3 is an side elevational view, the opposite side being a mirror image thereof;

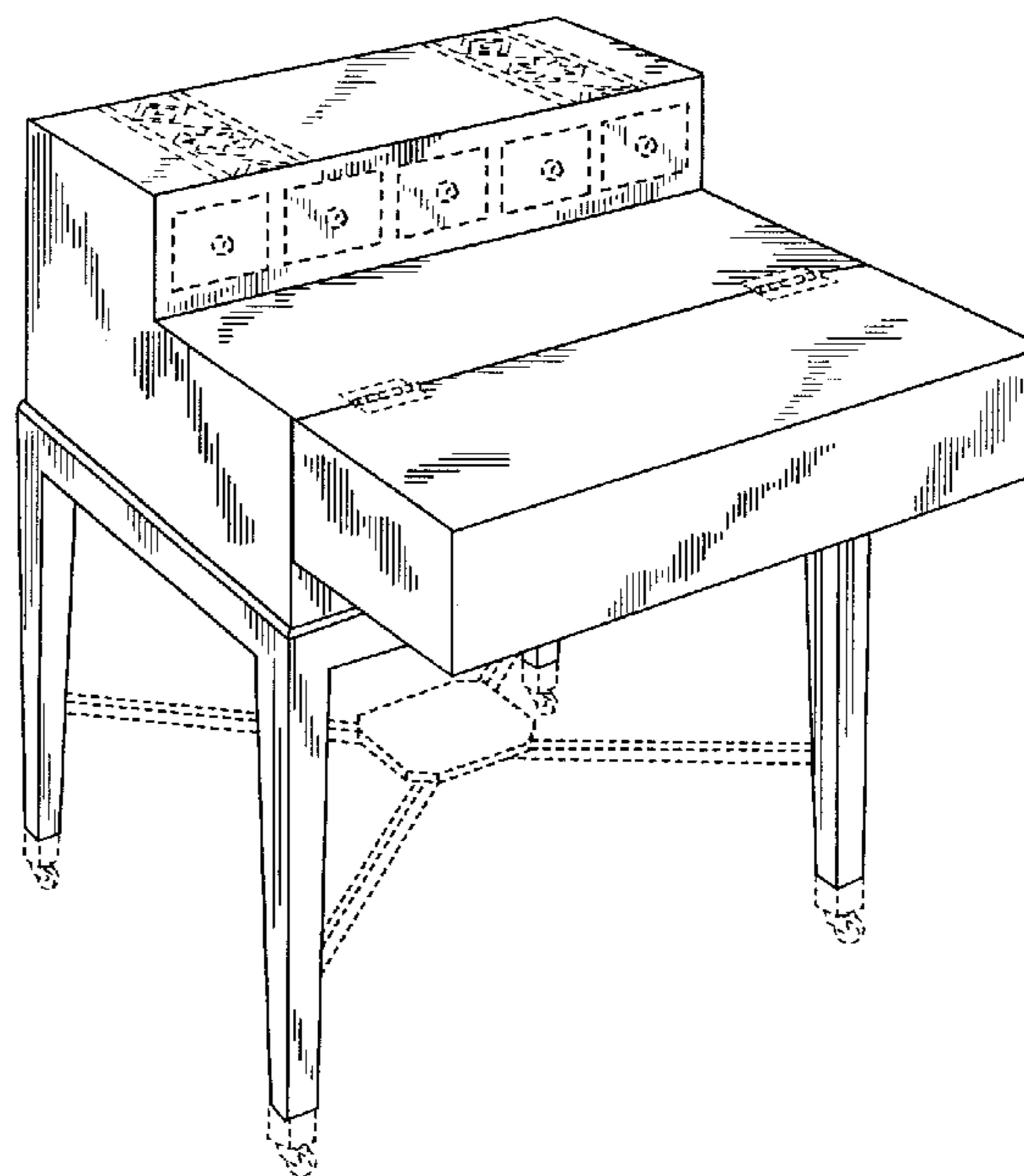
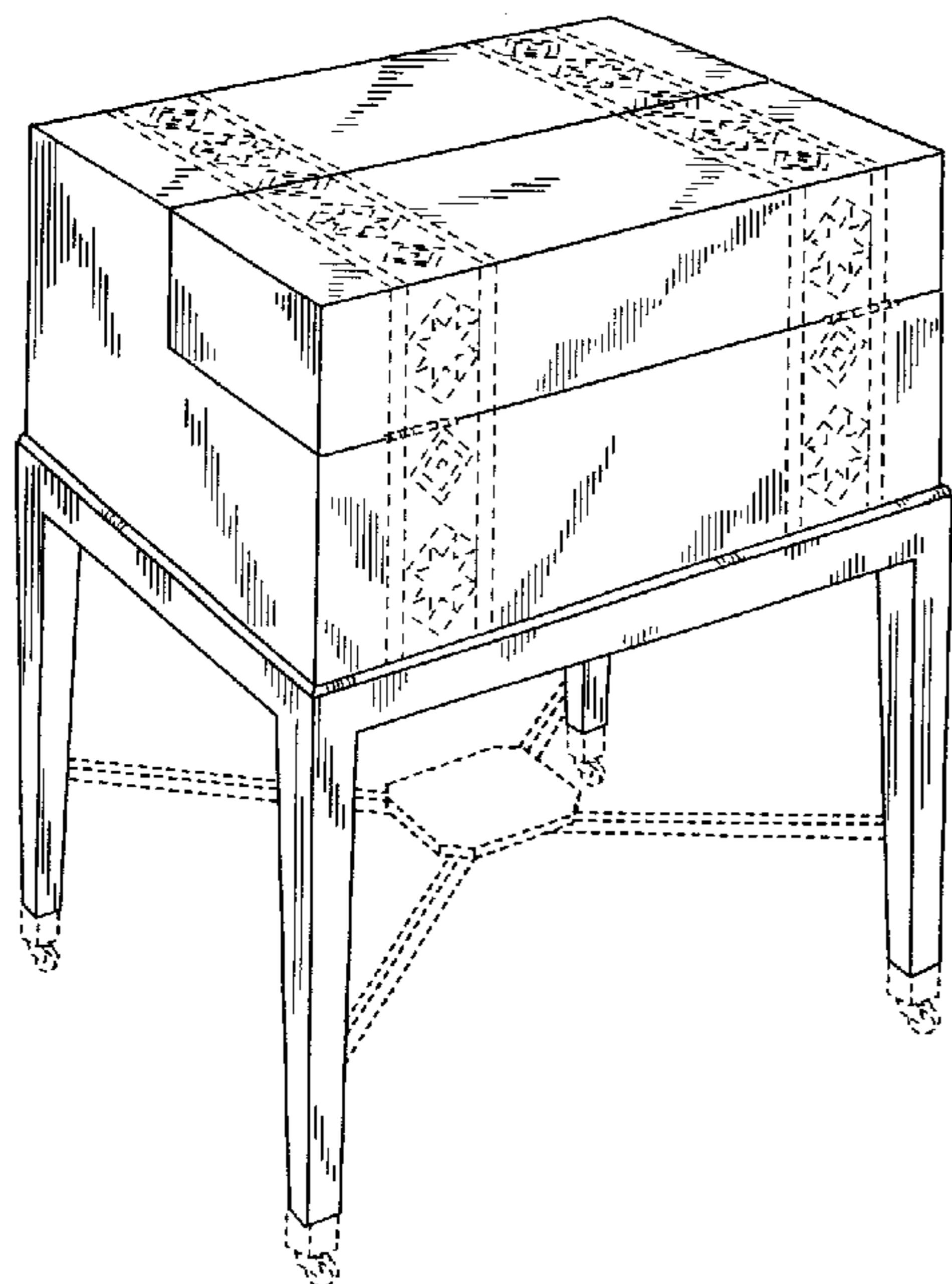
FIG. 4 is a rear elevational view thereof;

FIG. 5 is a top view thereof; and,

FIG. 6 is a perspective view in an open position thereof.

The views of the box not shown form no part of the claimed design. The broken lines depicting hardware, bottom cross supports with shelf, casters and veneer pattern represent environmental elements only and form no part of the claimed design.

1 Claim, 6 Drawing Sheets



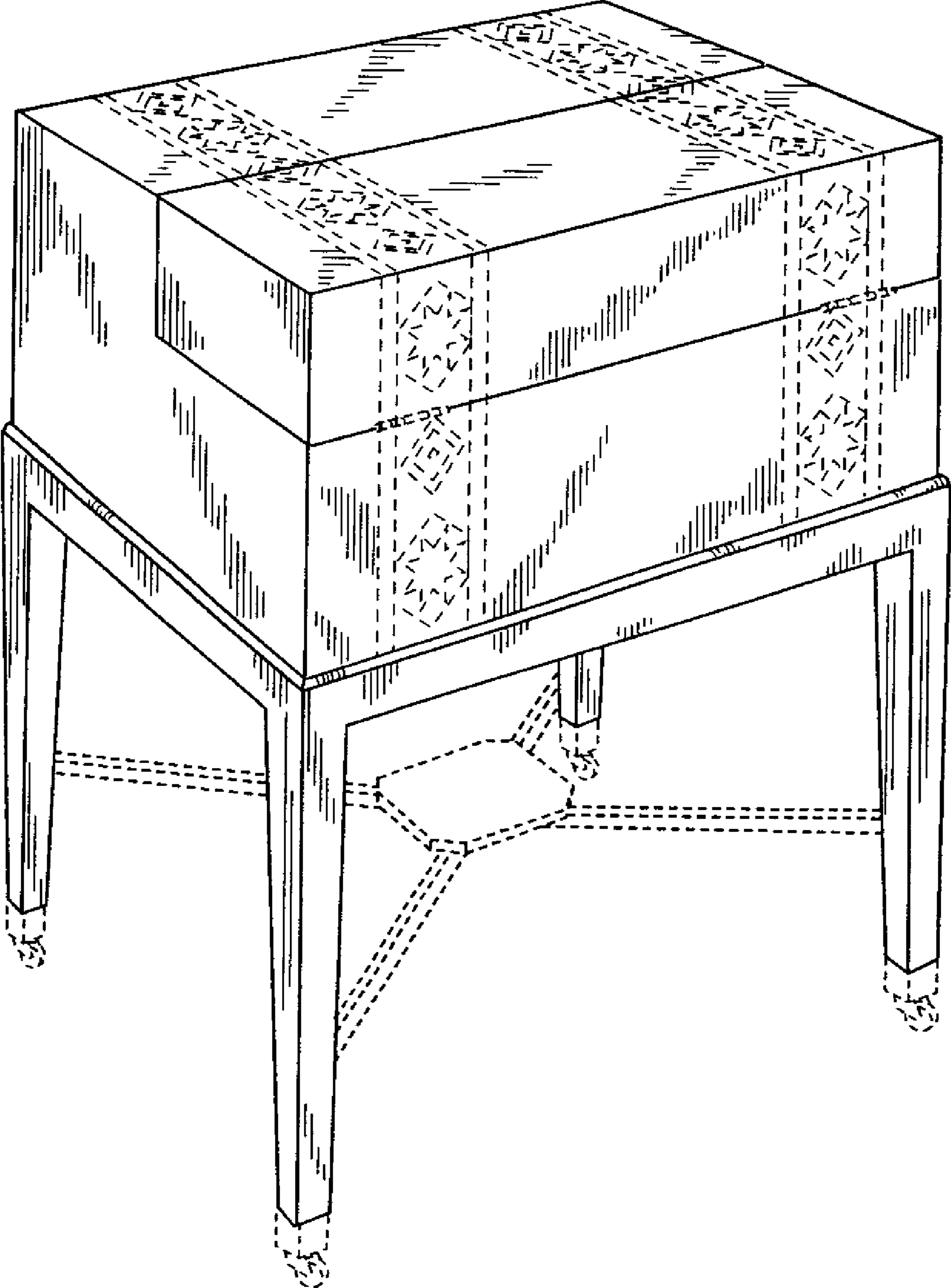


FIG. 1

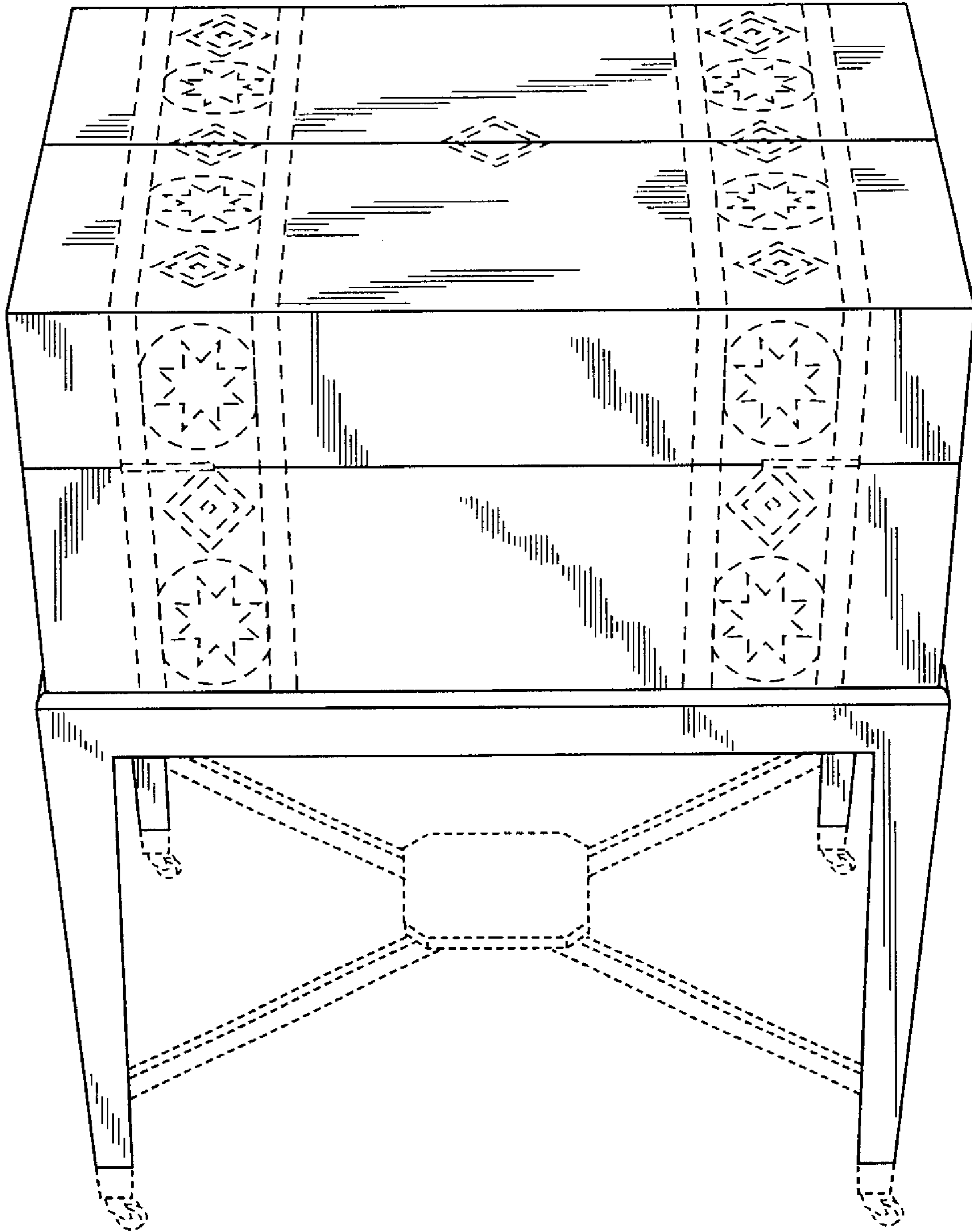


FIG. 2

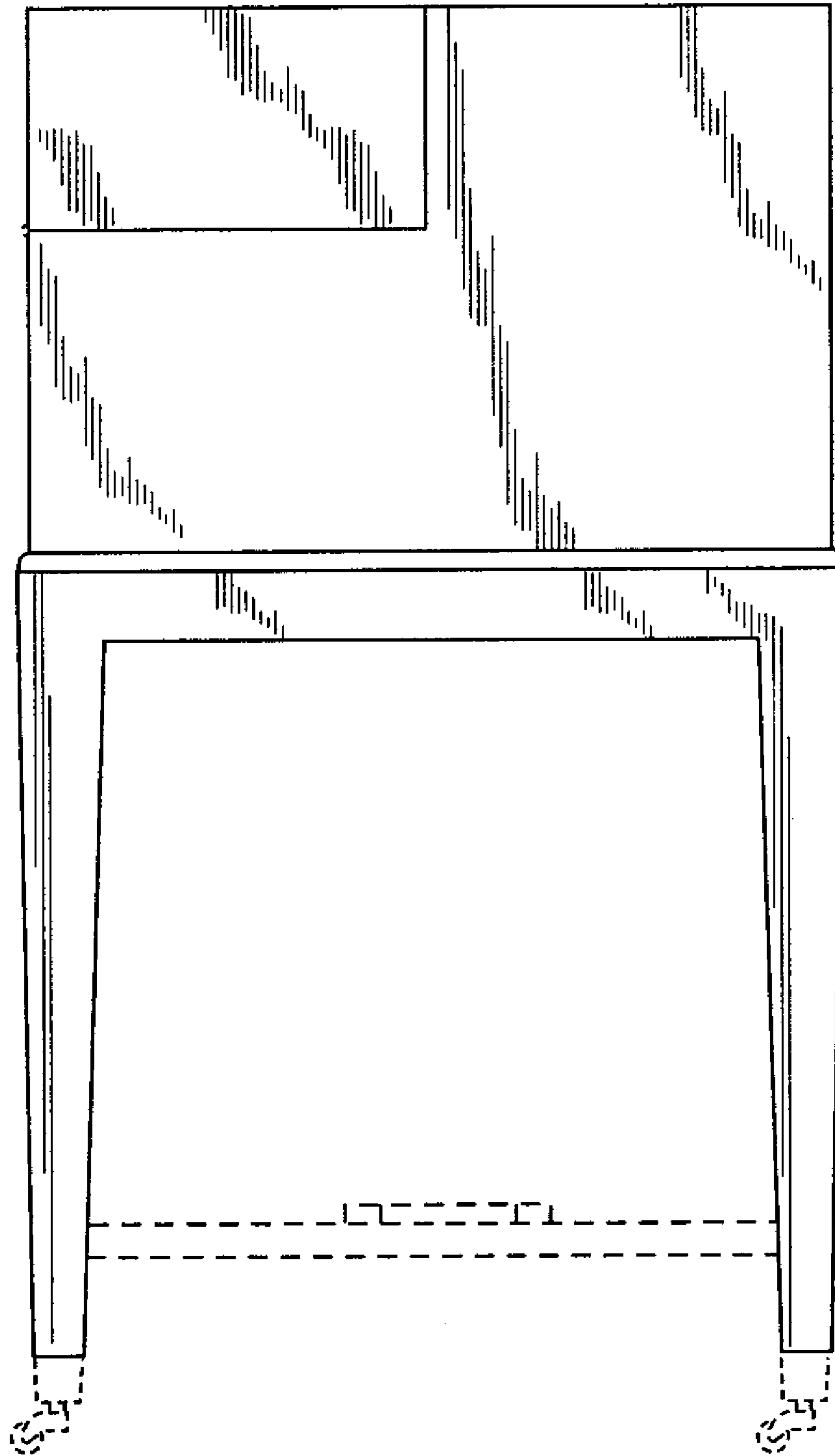


FIG. 3

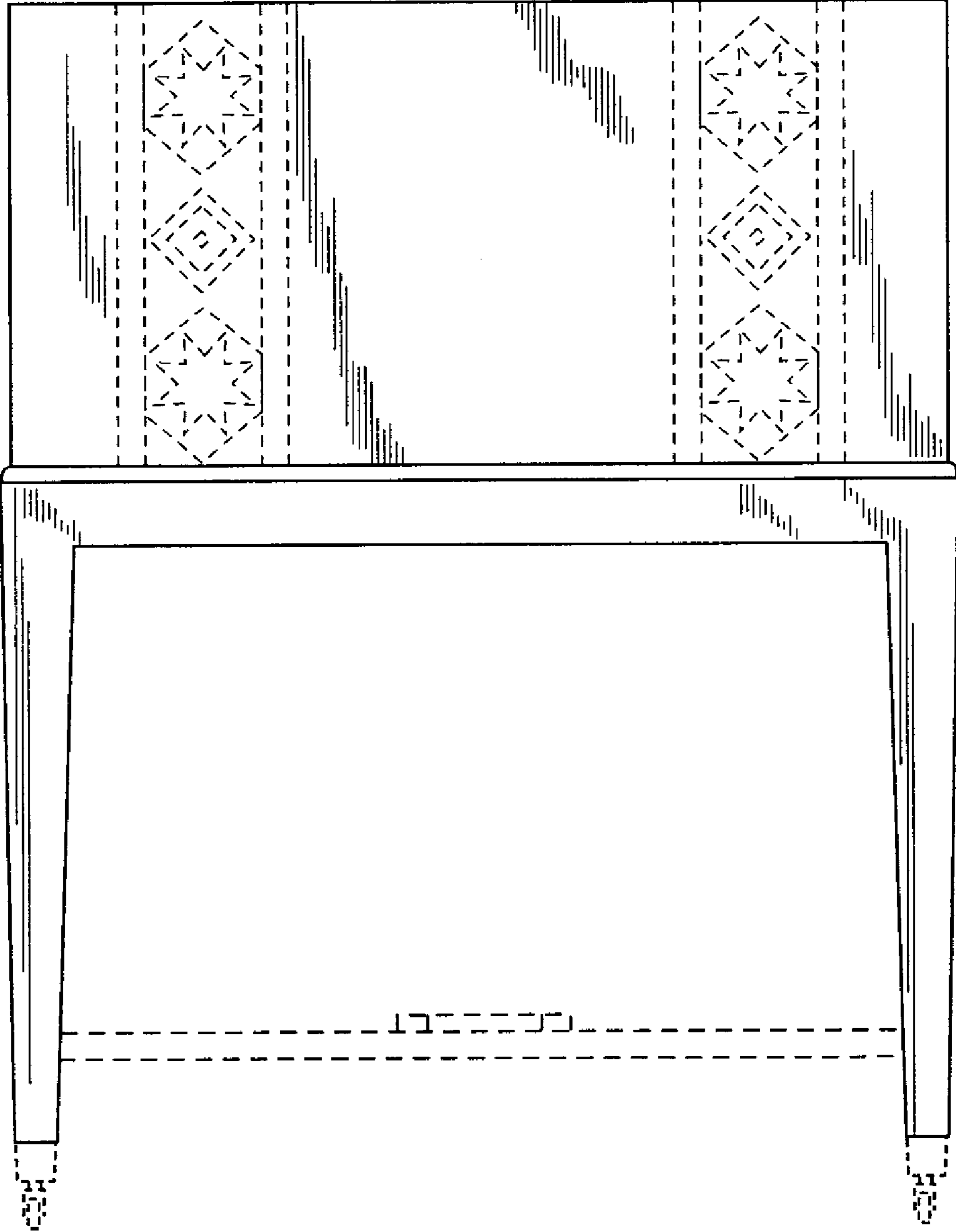


FIG. 4

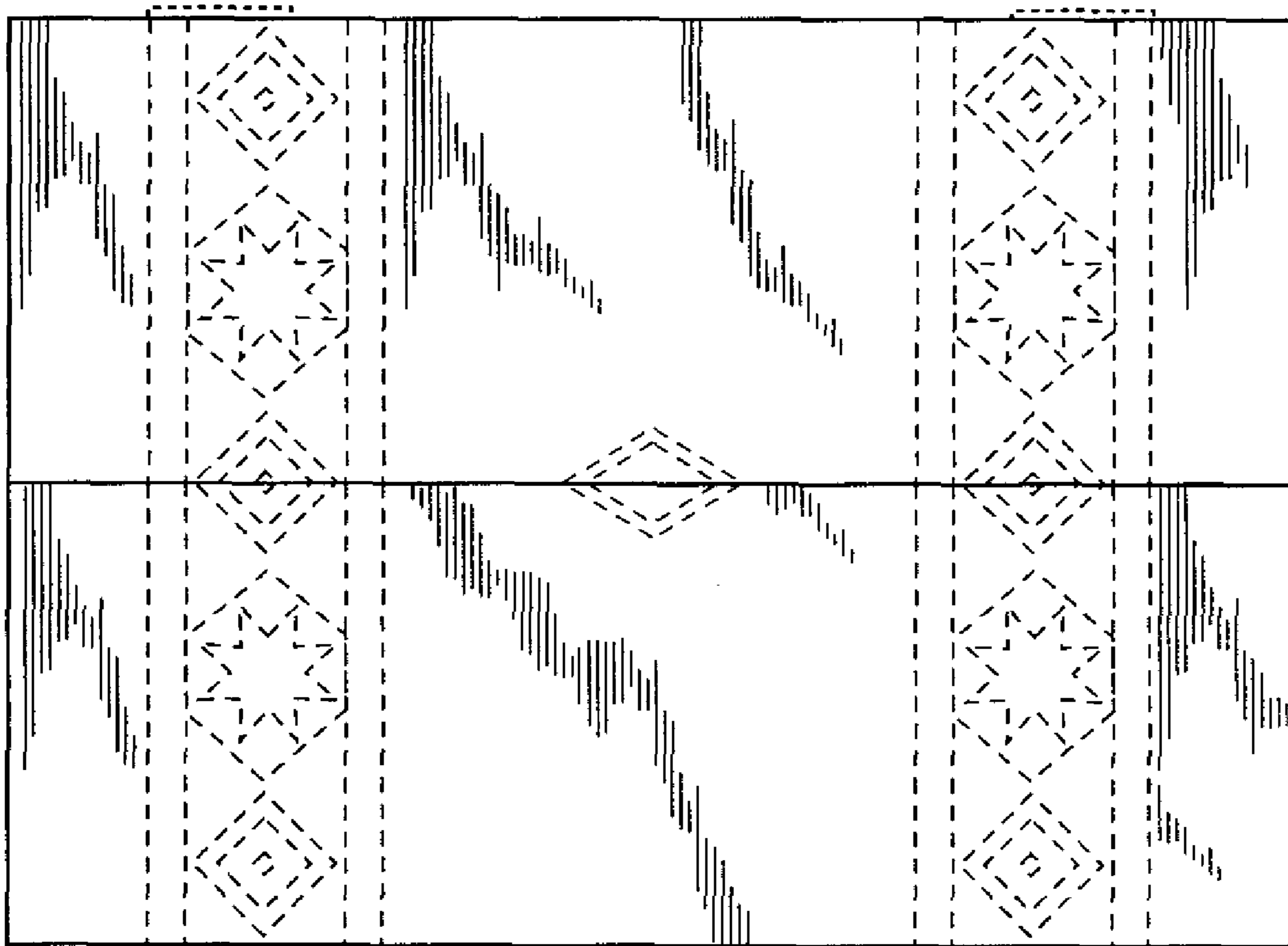


FIG. 5

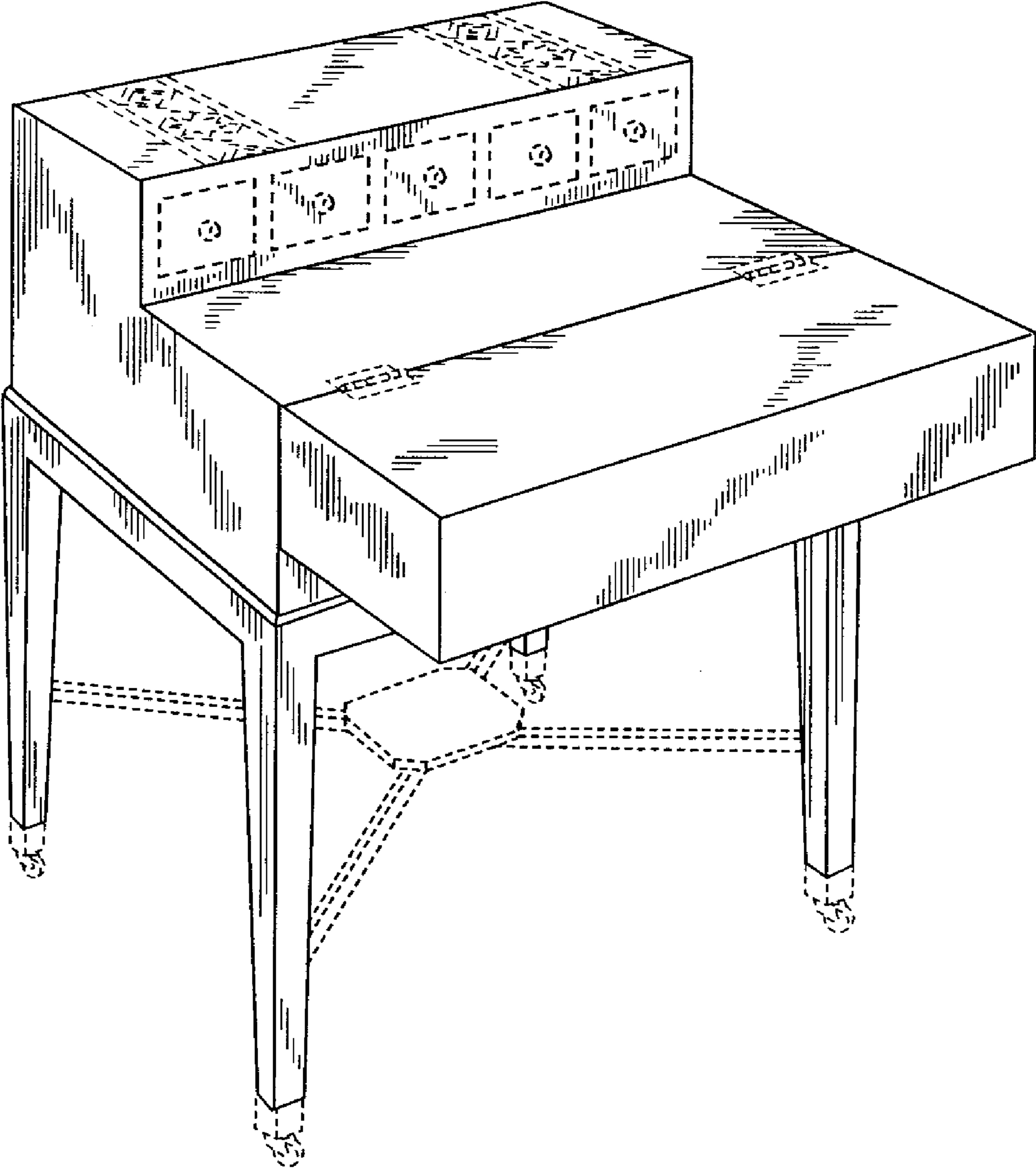


FIG. 6