



US00D509372S

(12) **United States Design Patent** (10) **Patent No.:** **US D509,372 S**
King (45) **Date of Patent:** **** Sep. 13, 2005**

(54) **STADIUM SEAT**

(75) Inventor: **Sheldon King**, Rose Bay (AU)

(73) Assignee: **The Product People Pty. Limited**,
Rose Bay (AU)

(**) Term: **14 Years**

(21) Appl. No.: **29/217,466**

(22) Filed: **Nov. 18, 2004**

(51) **LOC (8) Cl.** **06-01**

(52) **U.S. Cl.** **D6/368; D6/364; D6/365**

(58) **Field of Search** **D6/334, 335, 362,**
D6/364, 365, 368, 376, 379, 380, 381,
500-502; 297/232, 313, 331, 335; 5/6,
8, 9

(56) **References Cited**

U.S. PATENT DOCUMENTS

775,879	A	*	11/1904	Wiersching	297/232
D252,482	S	*	7/1979	Blodee	D6/365
4,211,450	A	*	7/1980	Sutter	297/232
4,850,159	A	*	7/1989	Conner	52/9
D425,716	S	*	5/2000	Jensen	D6/368
D439,428	S	*	3/2001	Mizuno	D6/368
2004/0100134	A1	*	5/2004	Plant et al.	297/331
2005/0017558	A1	*	1/2005	Fewchuk	297/331

* cited by examiner

Primary Examiner—Mimosa De

(74) *Attorney, Agent, or Firm*—Connolly, Bove, Lodge & Hutz LLP

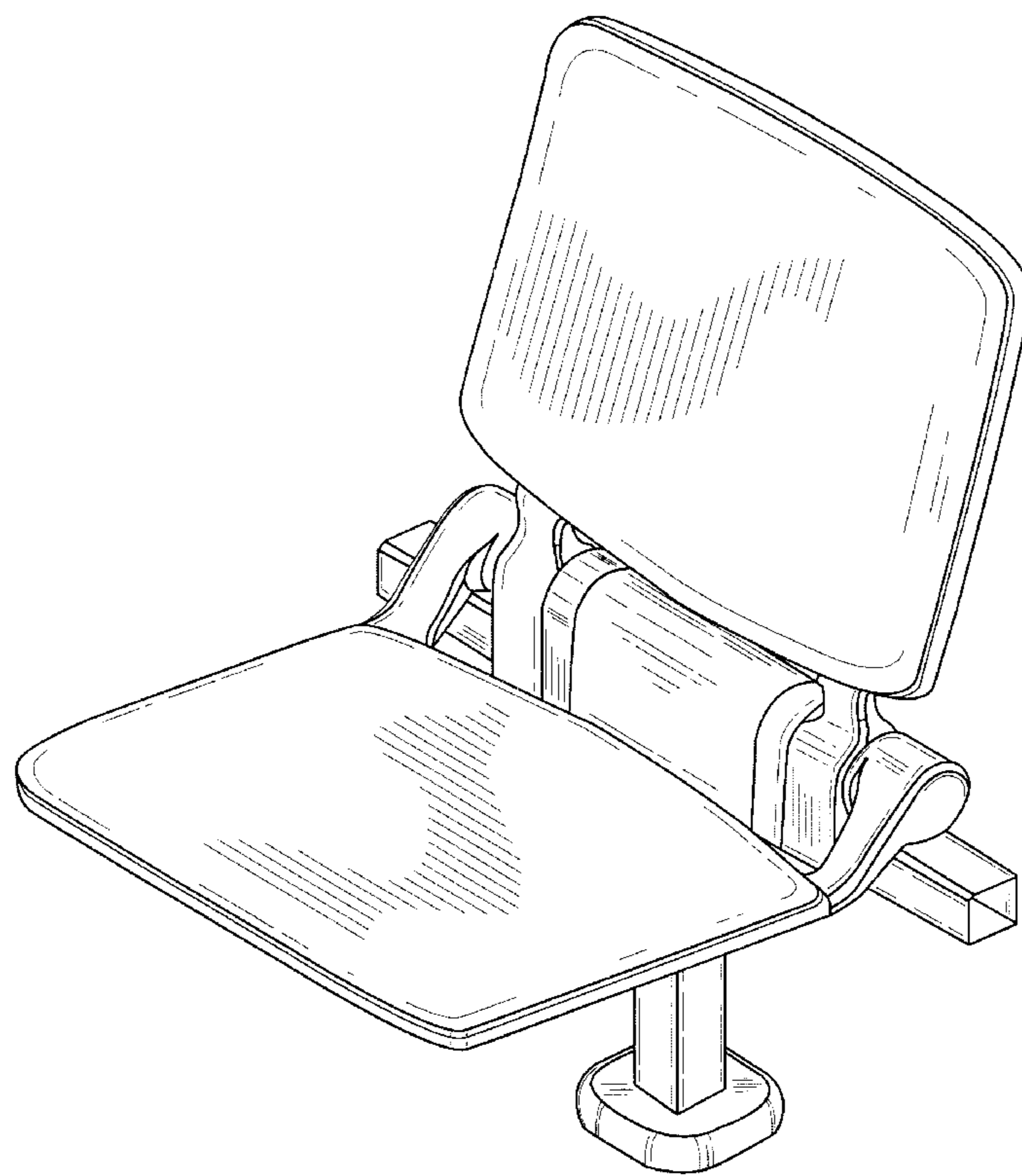
(57) **CLAIM**

The ornamental design for a stadium seat, as shown and described.

DESCRIPTION

FIG. 1 is a front perspective view of the stadium seat of my design, the seat being illustrated in a use configuration;
 FIG. 2 is a front view of the seat of FIG. 1;
 FIG. 3 is a rear view of the seat of FIG. 1;
 FIG. 4 is a top plan view of the seat of FIG. 1;
 FIG. 5 is a bottom view of the seat of FIG. 1;
 FIG. 6 is a left side view of the seat of FIG. 1, a right side view being a mirror image thereof;
 FIG. 7 is a front perspective view of the stadium seat of my design, the seat being illustrated in a standby configuration;
 FIG. 8 is a front view of the seat of FIG. 7;
 FIG. 9 is a rear view of the seat of FIG. 7;
 FIG. 10 is a top plan view of the seat of FIG. 7;
 FIG. 11 is a bottom view of the seat of FIG. 7; and,
 FIG. 12 is a left side view of the seat of FIG. 7, a right side view being a mirror image thereof.

1 Claim, 11 Drawing Sheets



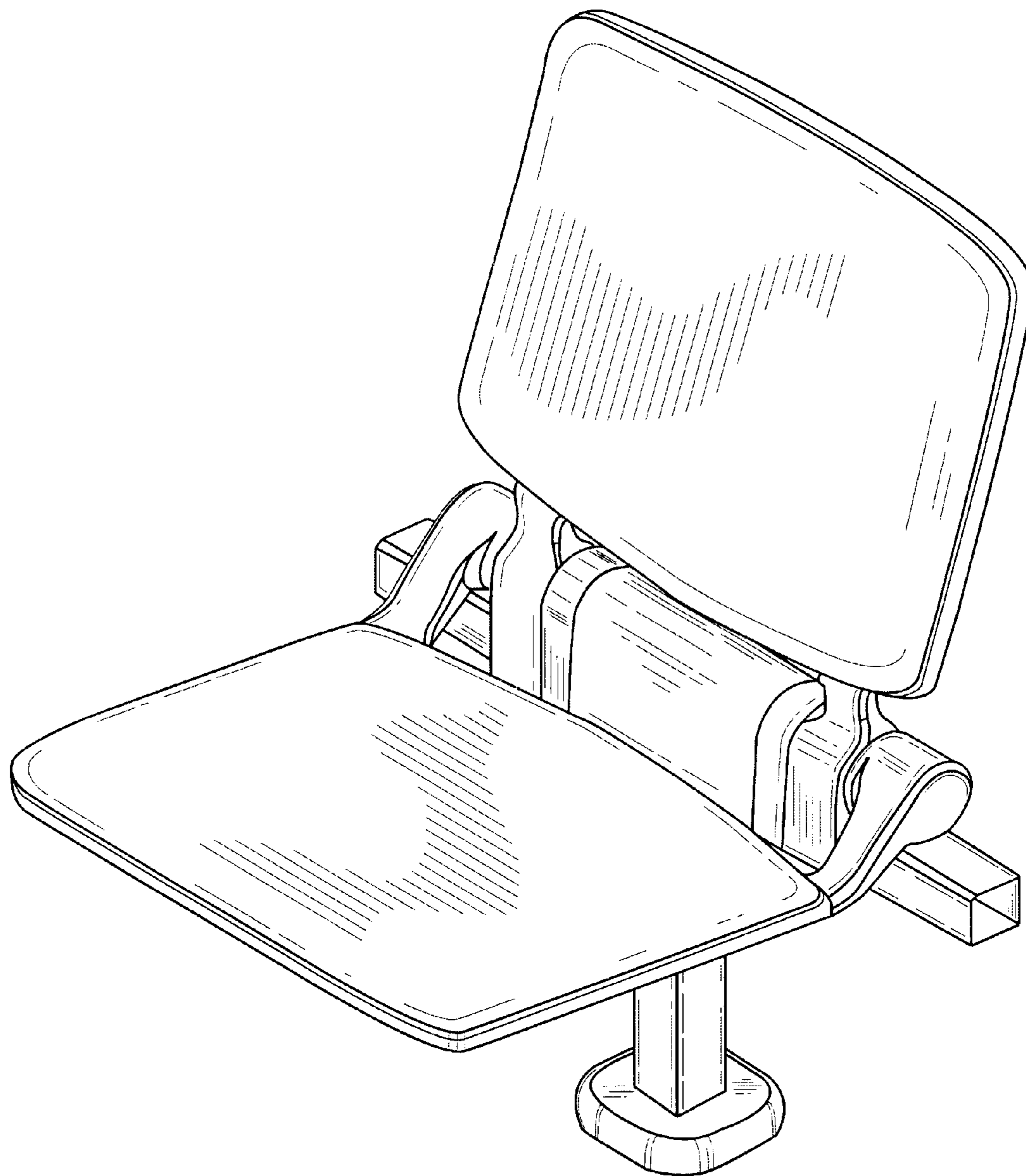


FIG. 1

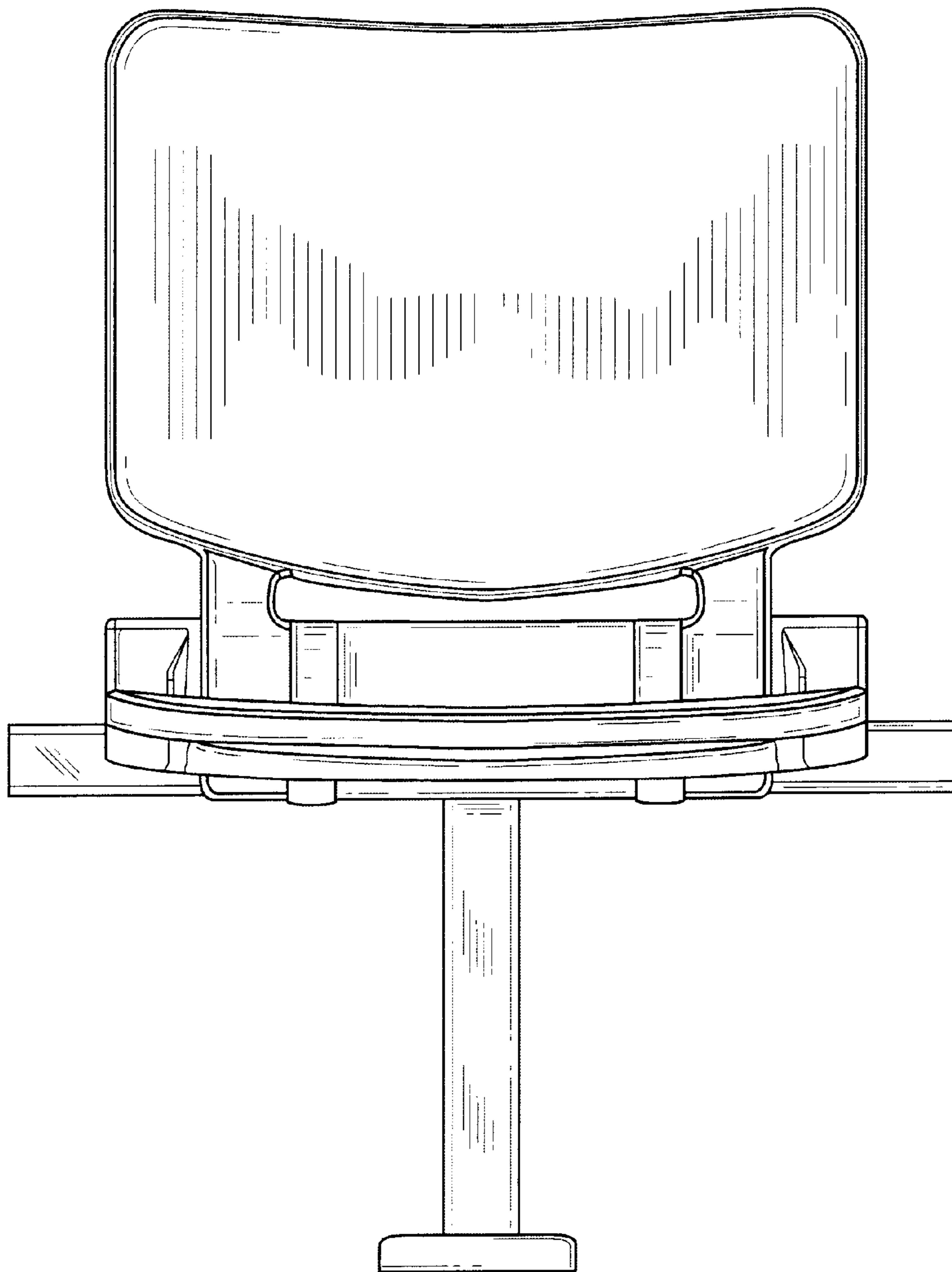


FIG. 2

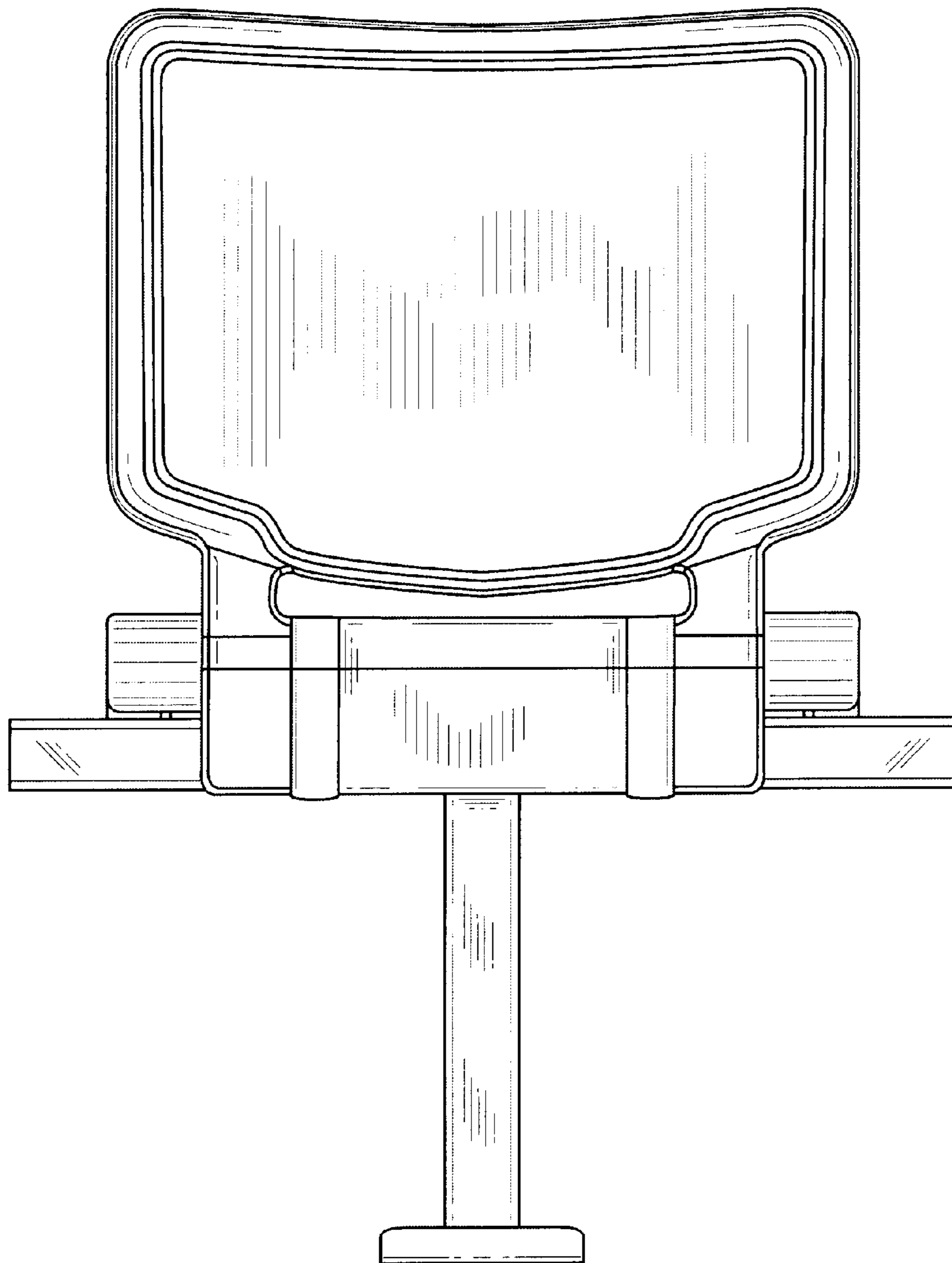


FIG. 3

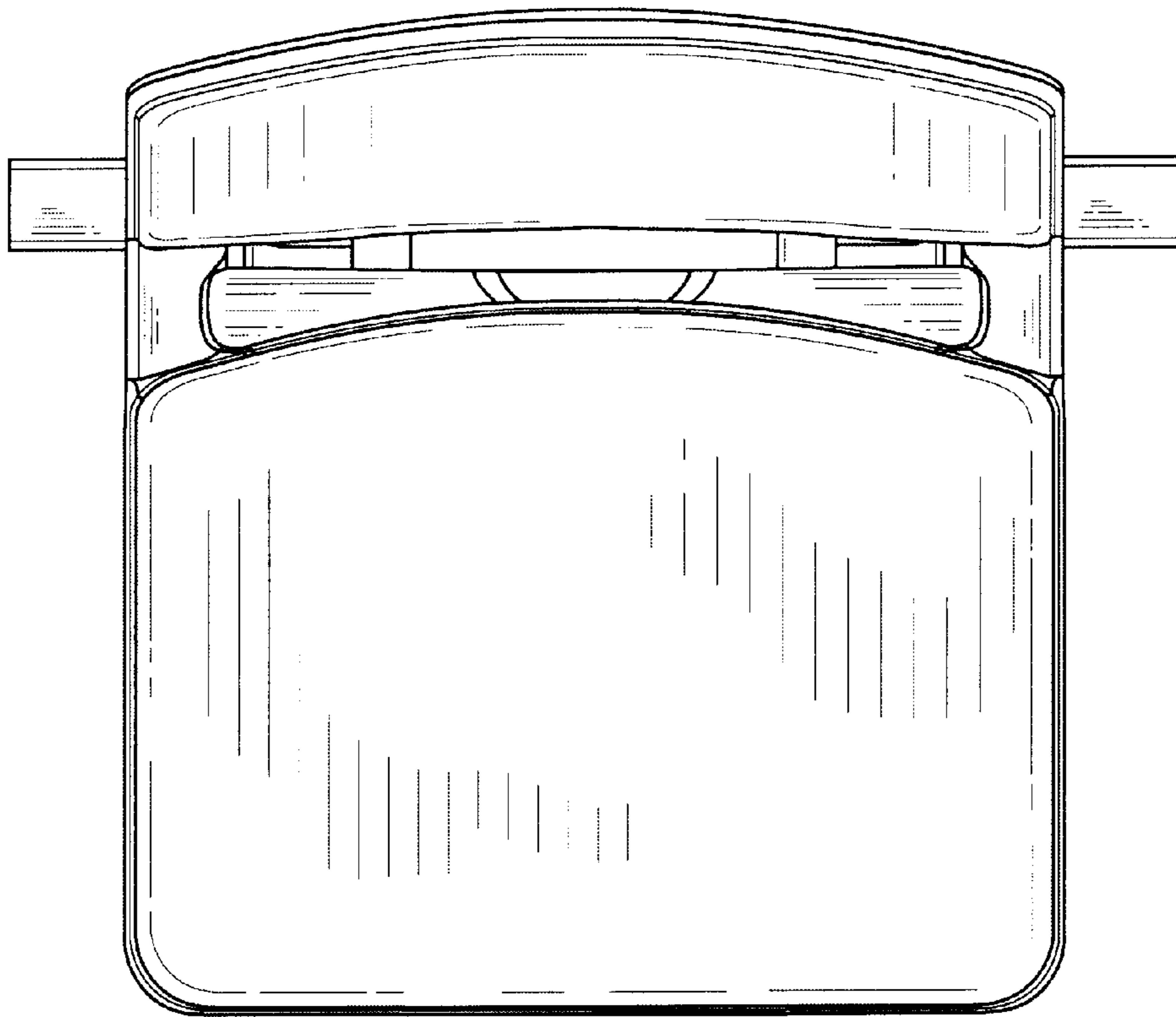


FIG. 4

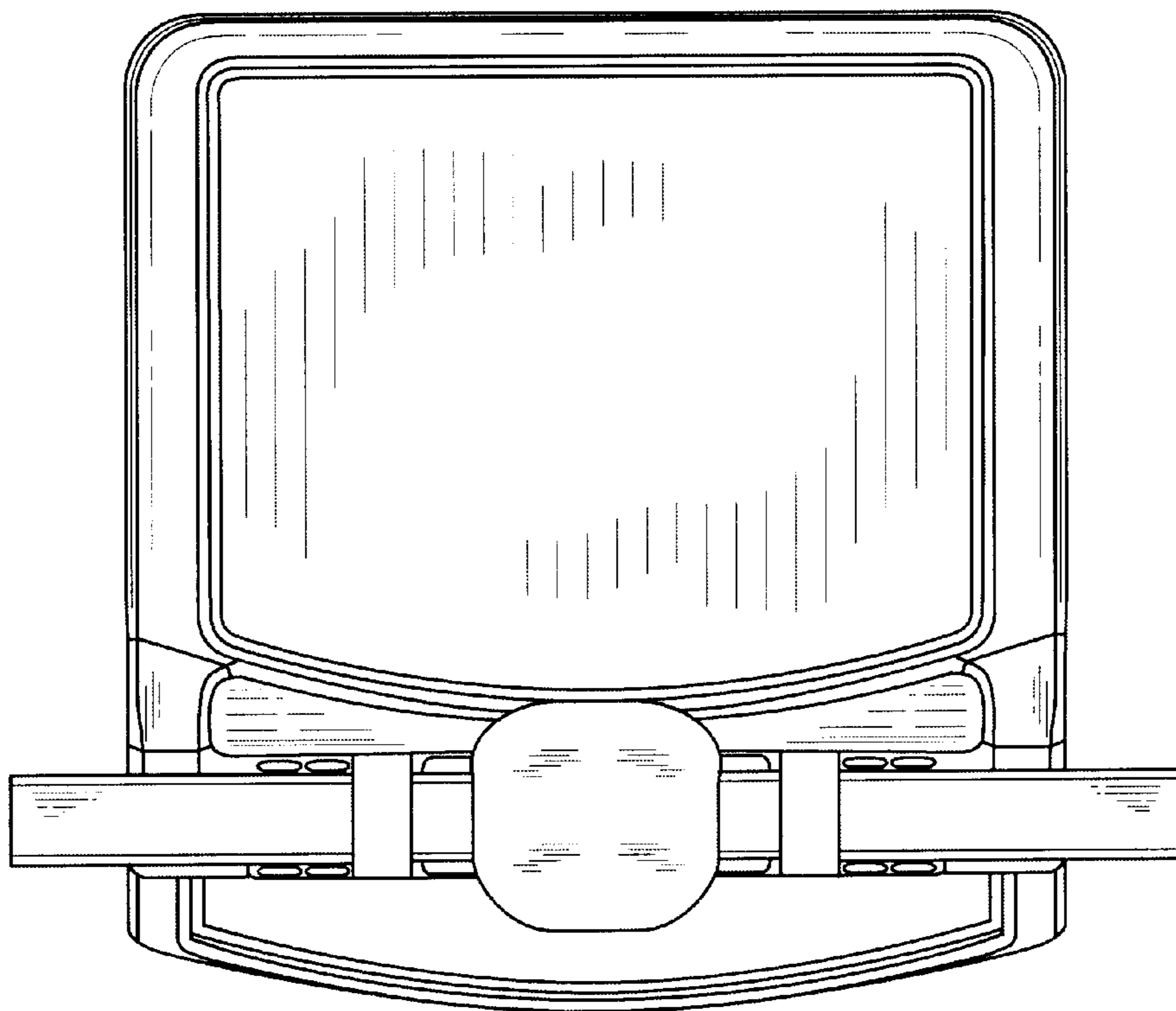


FIG. 5

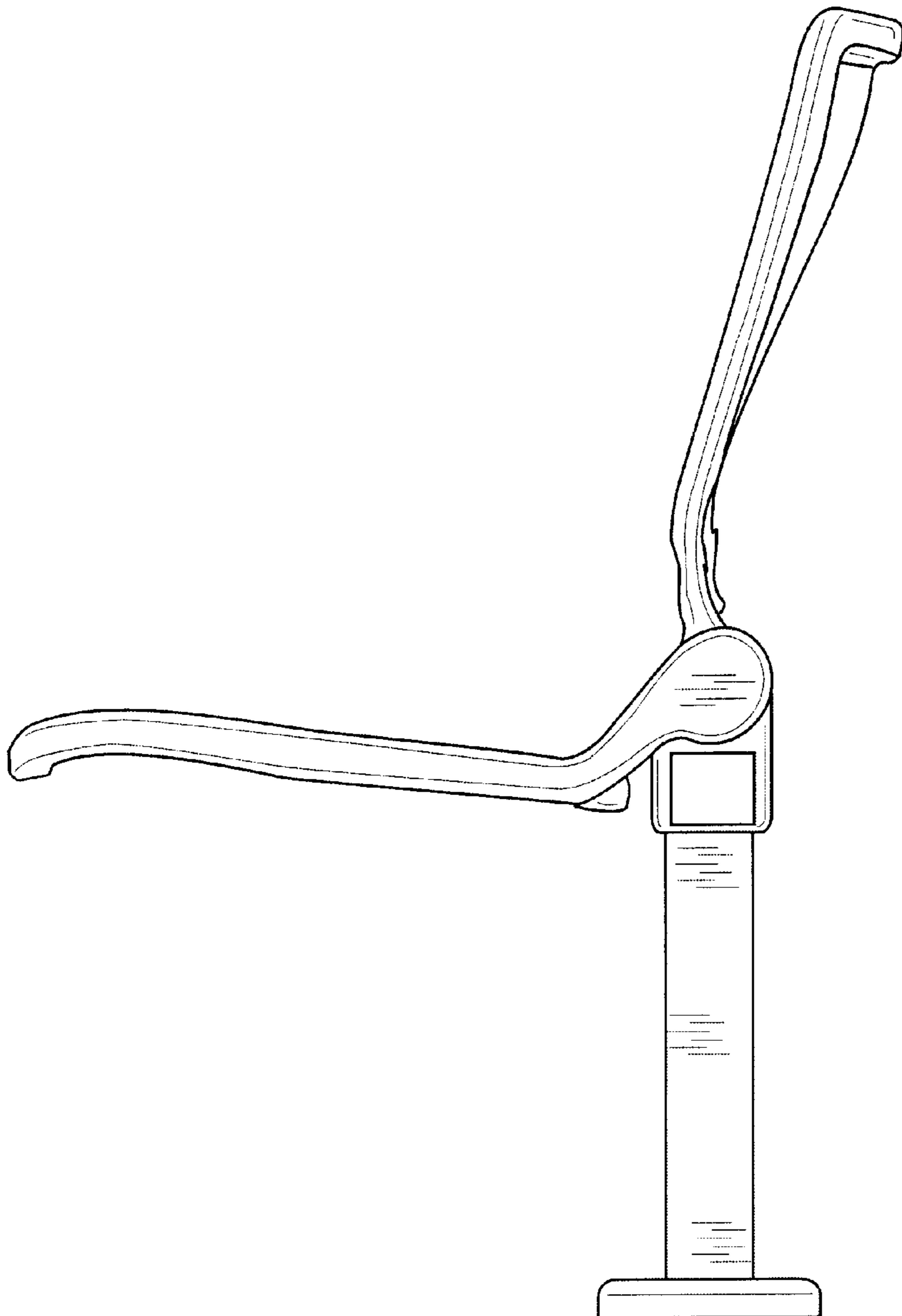


FIG. 6

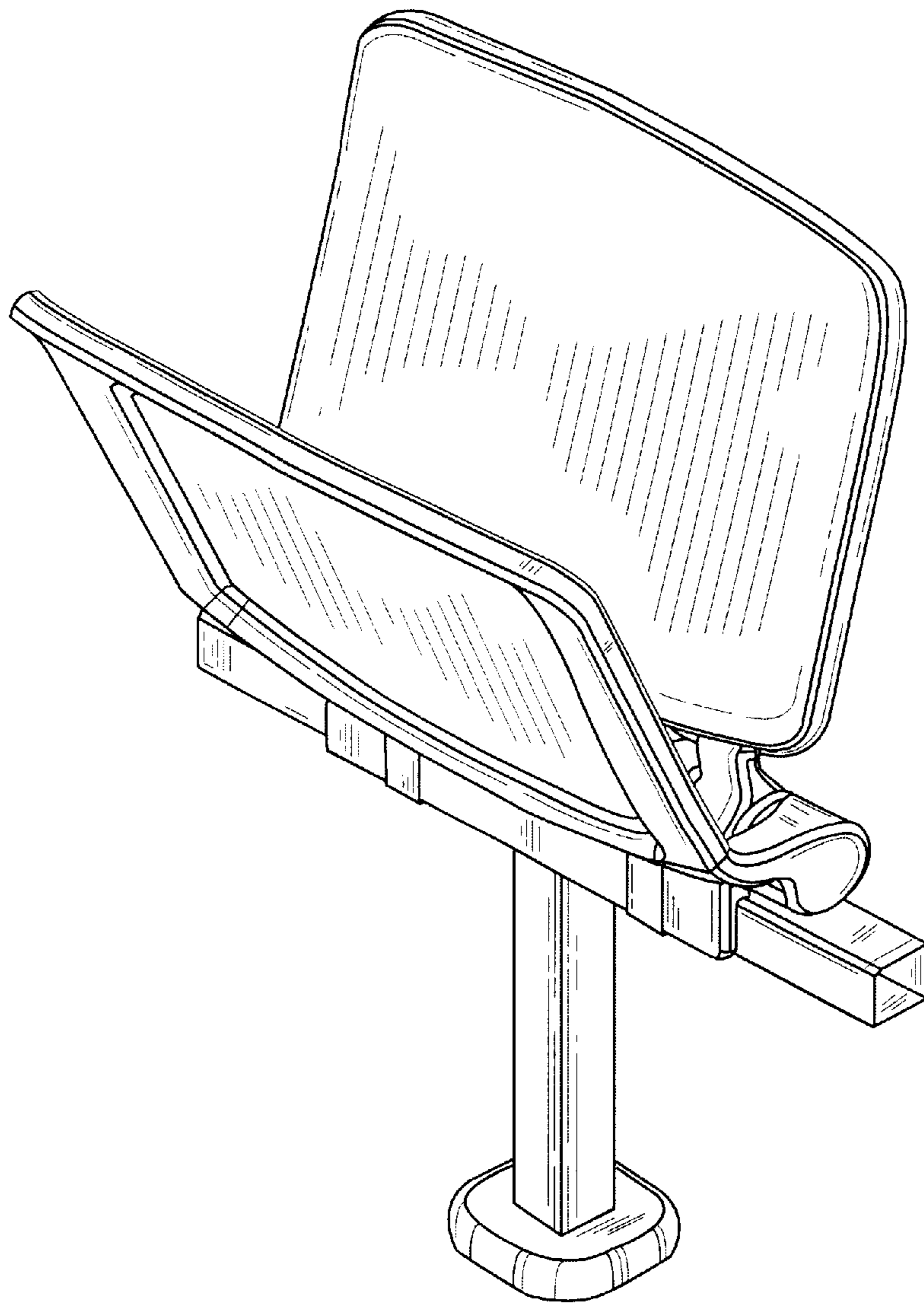


FIG. 7

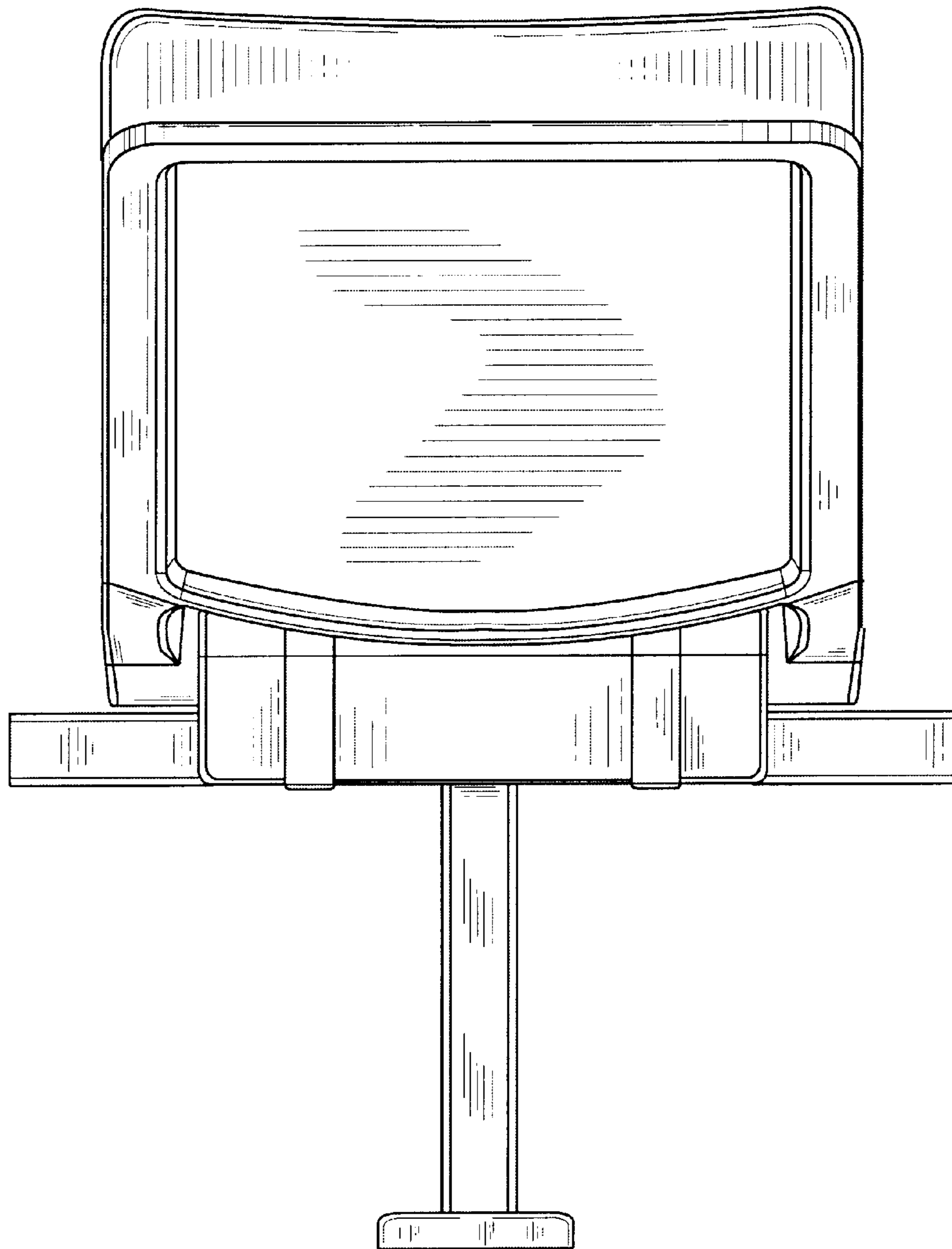


FIG. 8

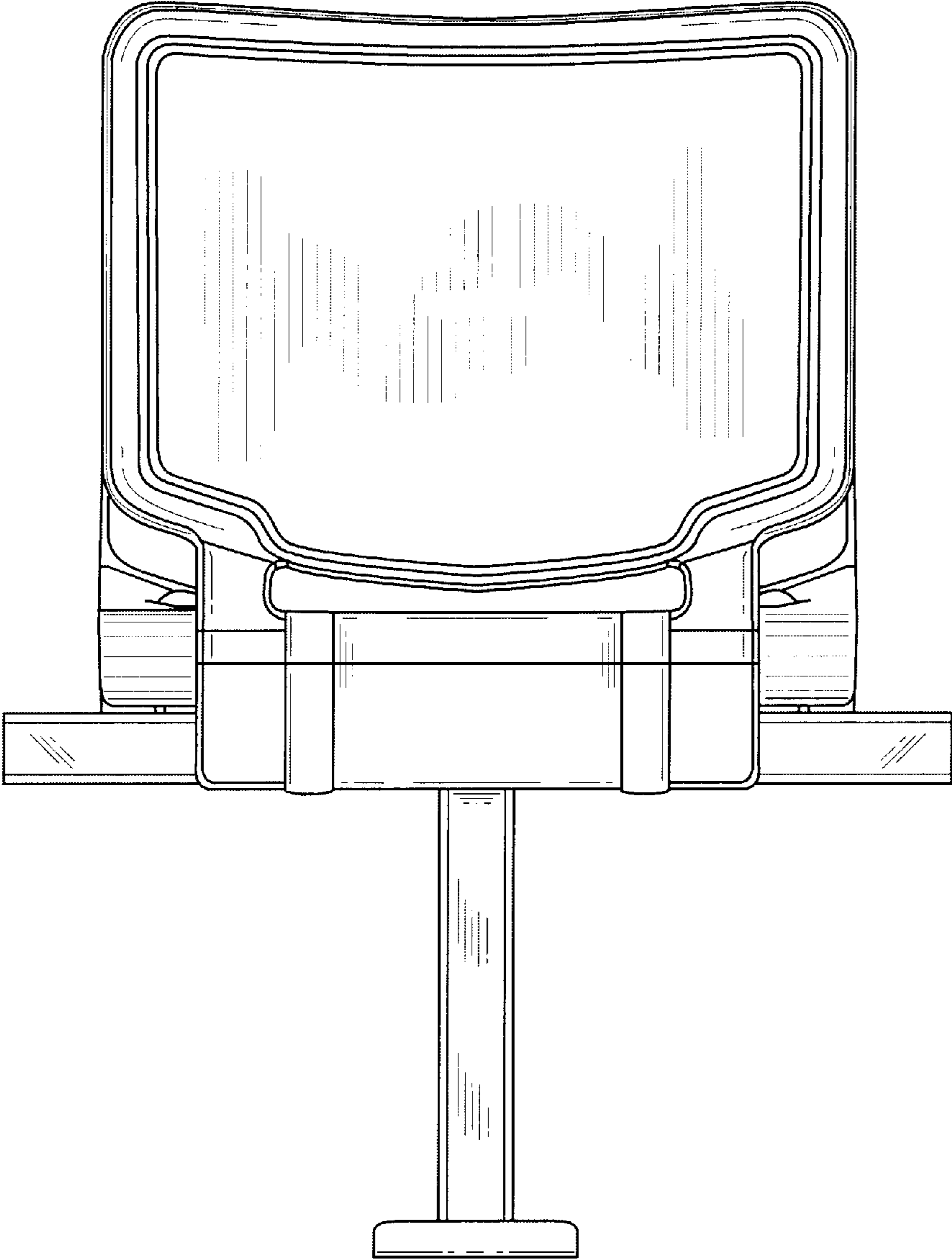


FIG. 9

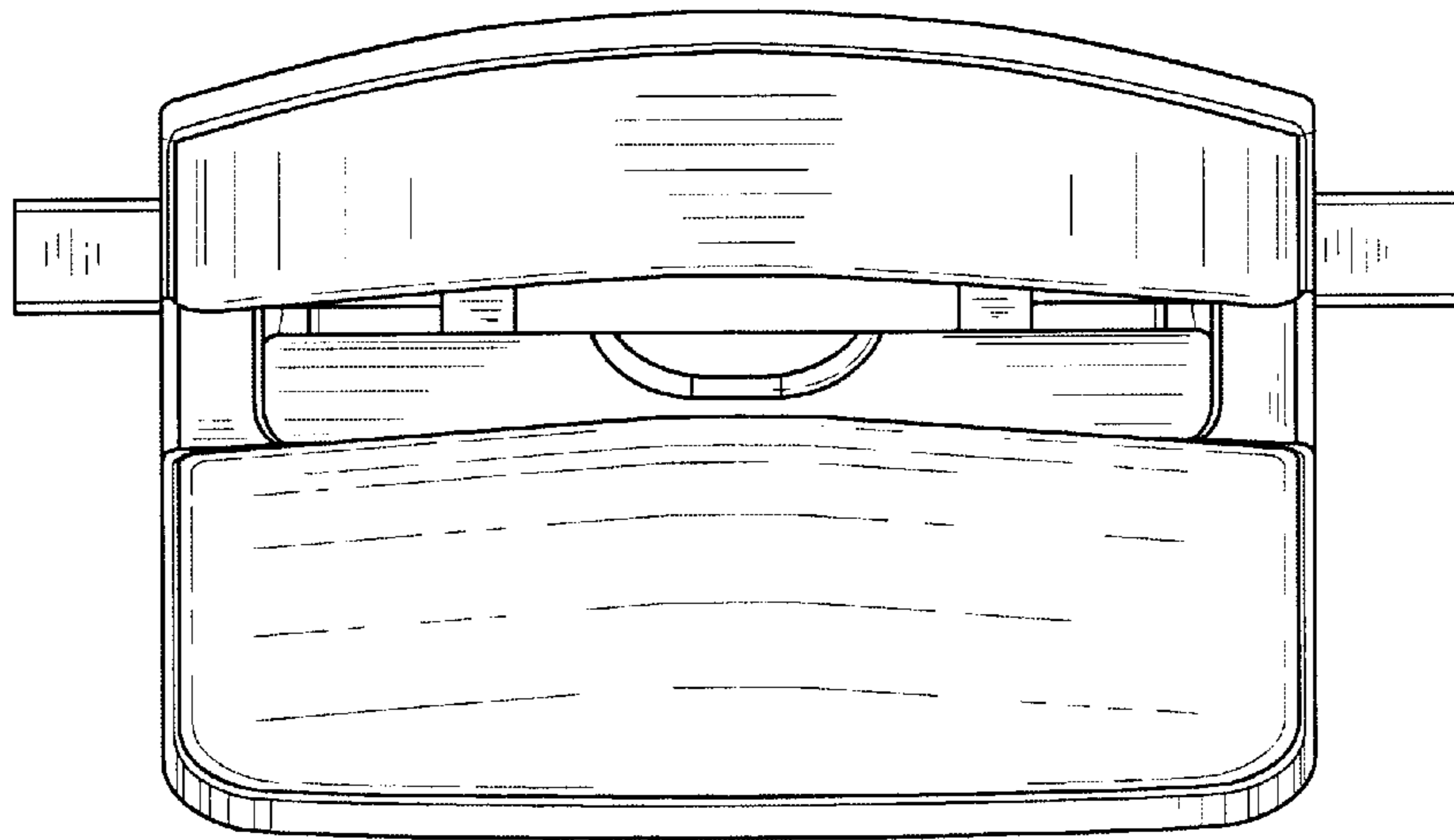


FIG. 10

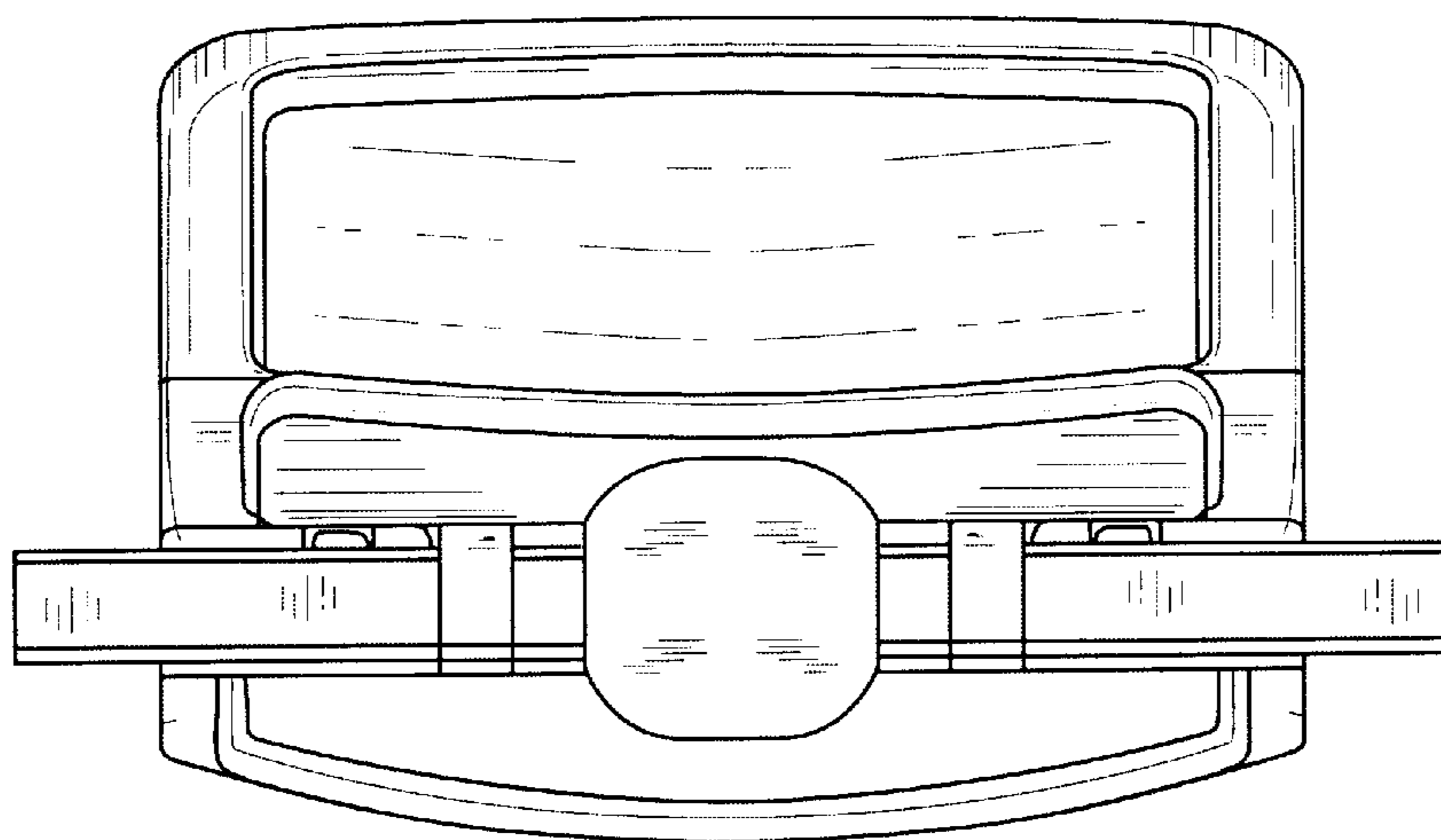


FIG. 11

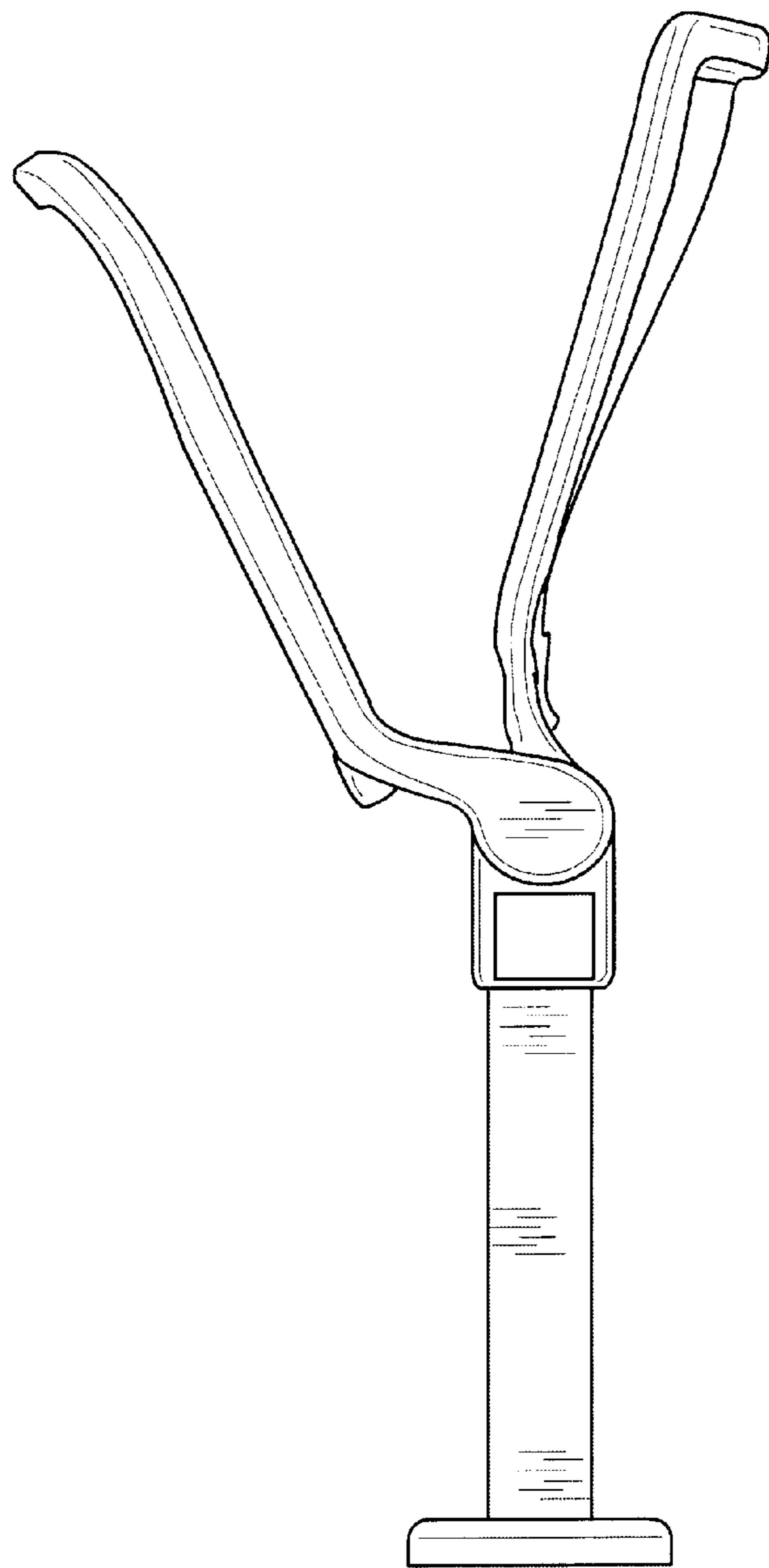


FIG. 12