

US00D509367S

(12) **United States Design Patent**
Kennedy

(10) **Patent No.: US D509,367 S**
(45) **Date of Patent: ** Sep. 13, 2005**

(54) **CD AND PICTURE FRAME**

(76) **Inventor: Alberto V. Kennedy**, 8615 NW. 8 St.,
Apt. #314, Miami, FL (US) 33126

(**) **Term: 14 Years**

(21) **Appl. No.: 29/196,305**

(22) **Filed: Dec. 29, 2003**

(51) **LOC (8) Cl. 06-07**

(52) **U.S. Cl. D6/300**

(58) **Field of Search** D6/300-303, 308-314;
40/700, 711, 714-716, 717, 720, 722, 725,
735, 765, 766, 728, 780, 790, 798, 800;
D11/132

(56) **References Cited**

U.S. PATENT DOCUMENTS

D308,350 S * 6/1990 England D11/132
D330,525 S * 10/1992 Grindley, Jr. D11/132
D365,299 S * 12/1995 Berducat D11/132

D381,211 S * 7/1997 Aries et al. D6/300

* cited by examiner

Primary Examiner—Janice E. Seeger

(74) *Attorney, Agent, or Firm*—Albert Bordas; Jesus Sanchelima

(57) **CLAIM**

The ornamental design for the CD and picture frame, as shown and described.

DESCRIPTION

FIG. 1 is a top plan view of a CD and picture frame showing my new design;
FIG. 2 is a front elevational view thereof;
FIG. 3 is a bottom plan view thereof;
FIG. 4 is a left side elevational view thereof;
FIG. 5 is a rear elevational view thereof;
FIG. 6 is a right side elevational view thereof;
FIG. 7 is a rear isometric view thereof; and,
FIG. 8 is front isometric view thereof showing my new design.

1 Claim, 3 Drawing Sheets





Fig. 1

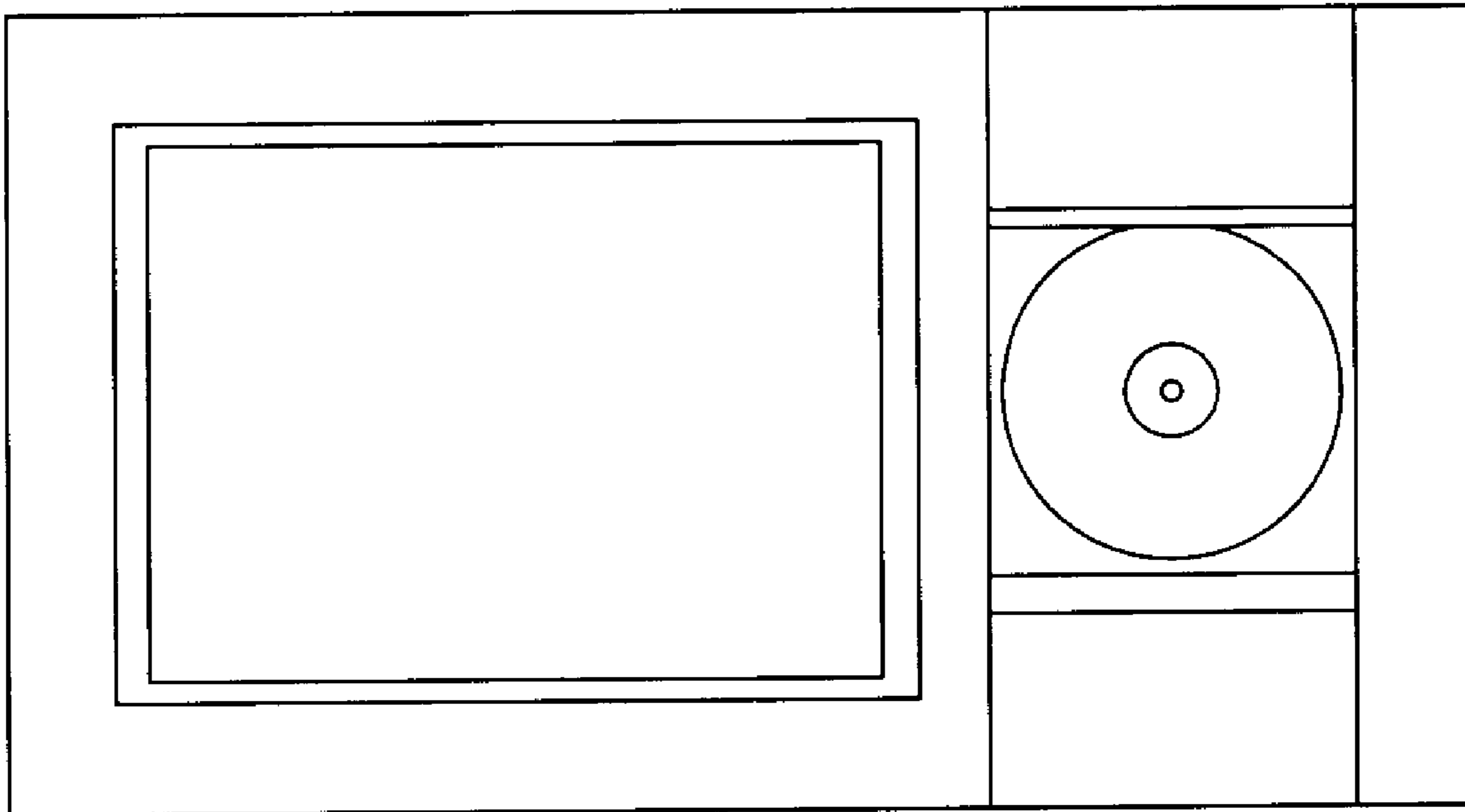


Fig. 2

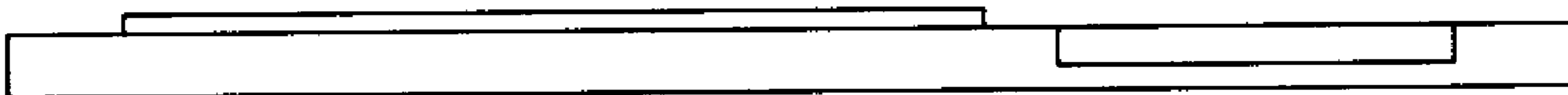


Fig. 3

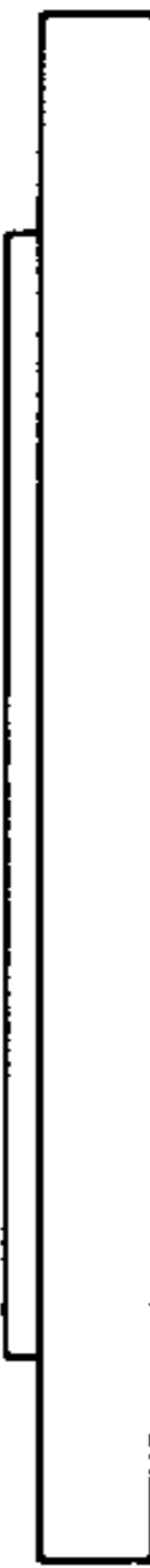


Fig.4

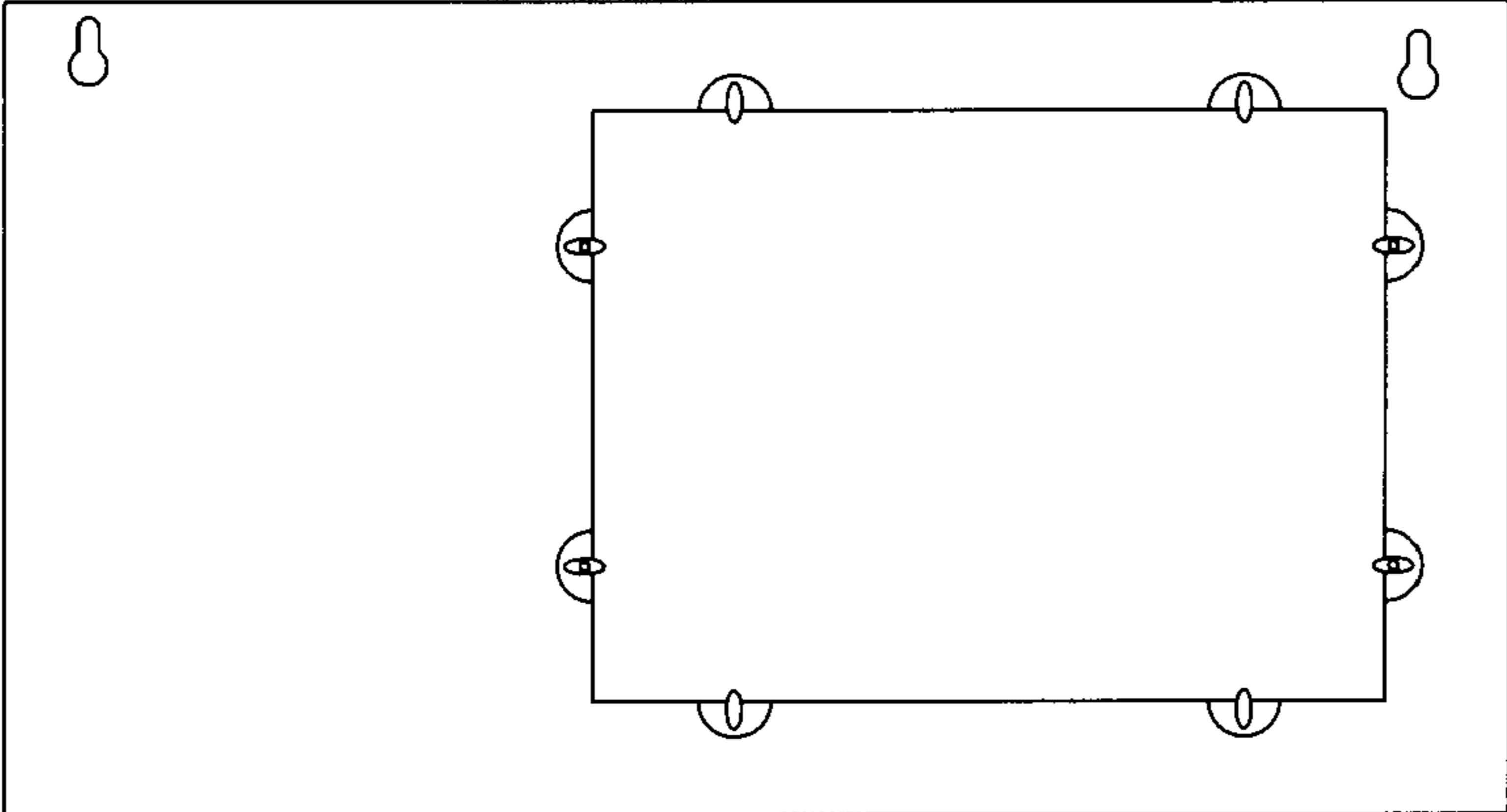


Fig.5



Fig.6

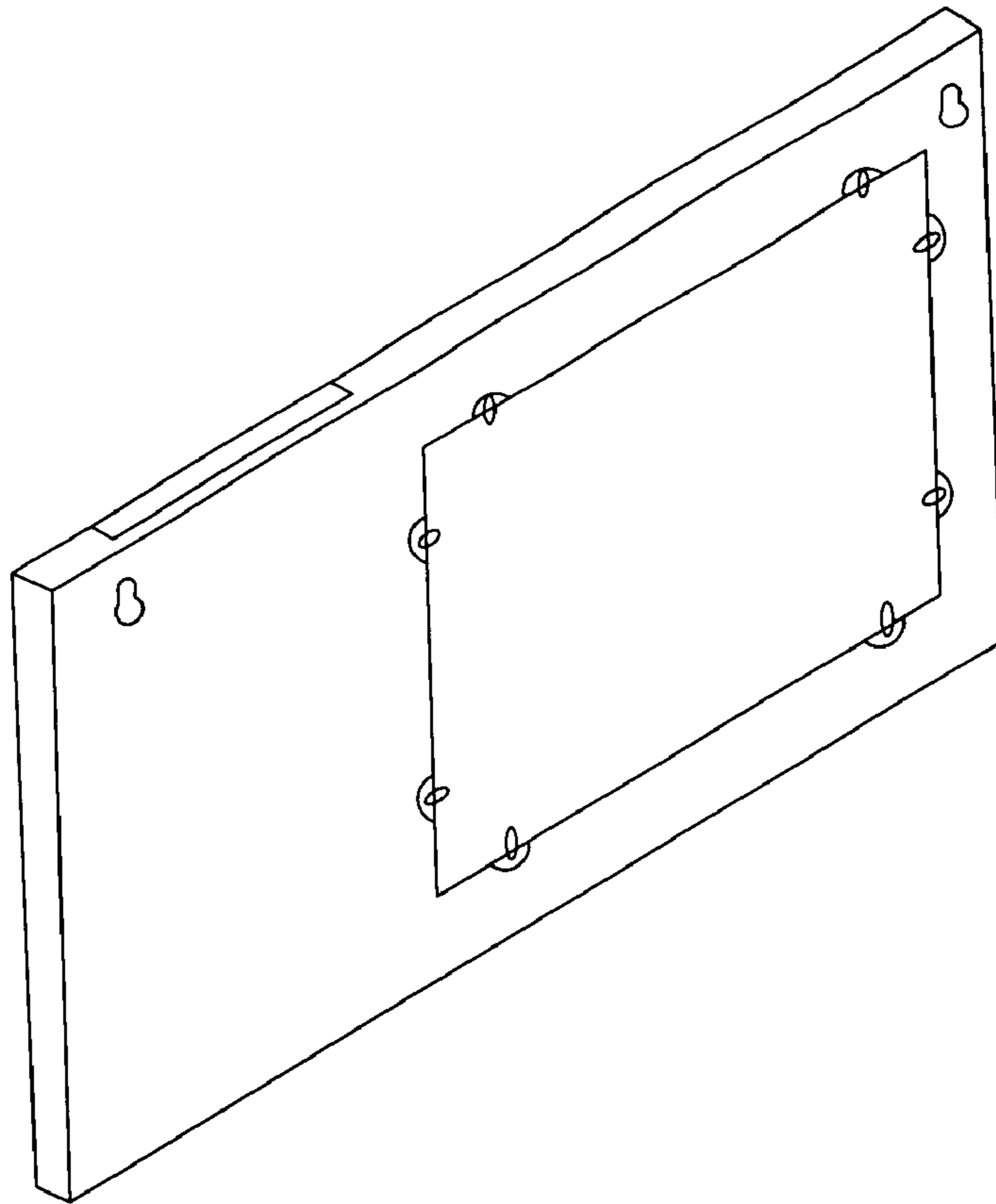


Fig.7

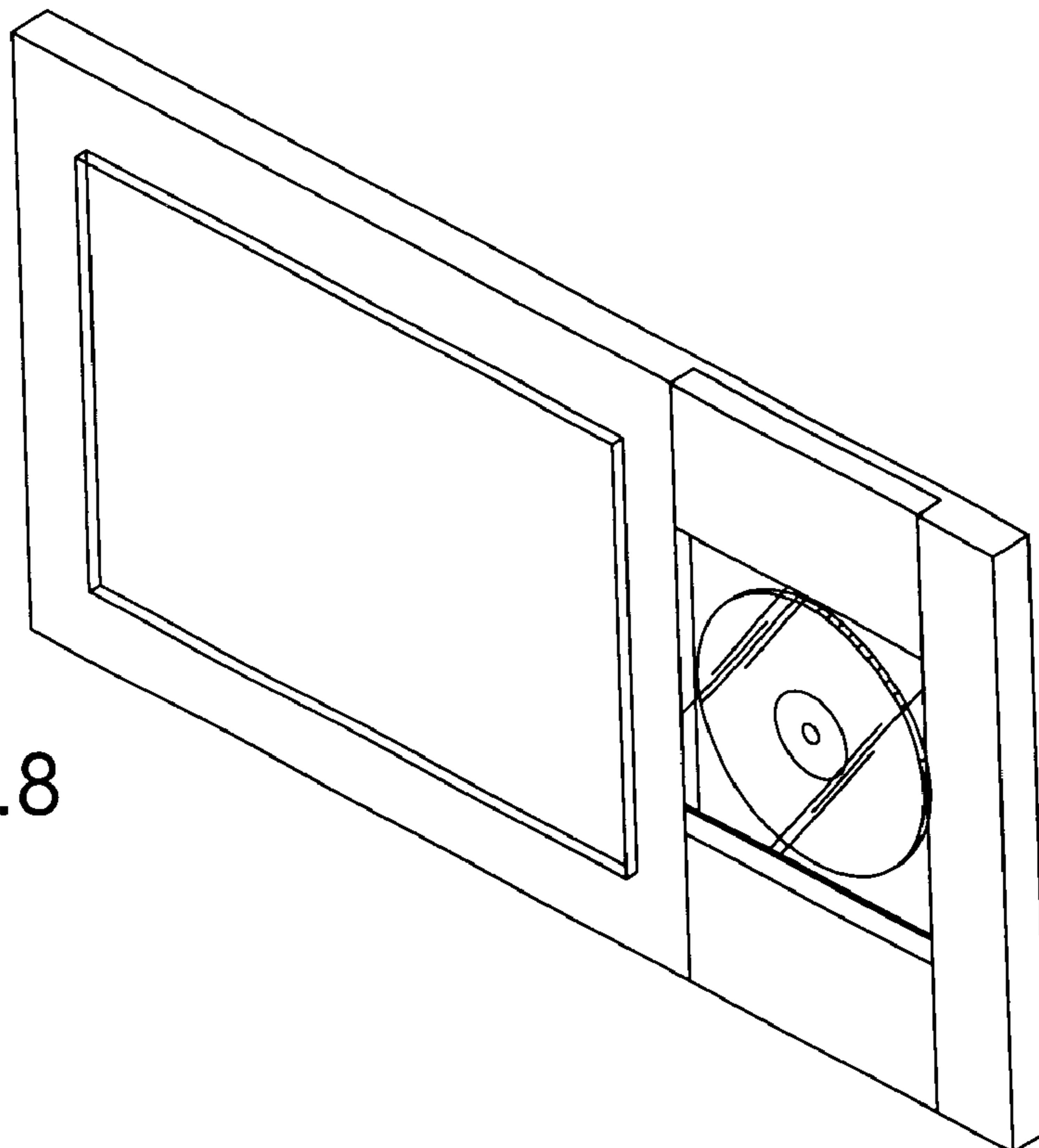


Fig.8