

US00D509361S

(12) **United States Design Patent**
Suero, Jr.

(10) **Patent No.:** **US D509,361 S**

(45) **Date of Patent:** **** Sep. 13, 2005**

(54) **WIRE BASKET**

(75) **Inventor:** **Jose Suero, Jr., Newark, DE (US)**

(73) **Assignee:** **Zenith Products Corp., New Castle, DE (US)**

(**) **Term:** **14 Years**

(21) **Appl. No.:** **29/200,044**

(22) **Filed:** **Feb. 23, 2004**

(51) **LOC (8) Cl.** **03-01**

(52) **U.S. Cl.** **D3/304; D3/306; D6/525; D6/566**

(58) **Field of Search** **D3/304-315; D6/566, D6/567, 525, 537, 540, 574, 572, 511; 206/202, 513, 557; 211/13.1, 41.3, 41.4, 86.01, 88.01, 134, 126.1, 181.1; 248/302; 220/485, 488**

(56) **References Cited**

U.S. PATENT DOCUMENTS

D408,185 S * 4/1999 Hofman D6/562

D449,478 S * 10/2001 Snell D6/566
D453,268 S * 2/2002 Snell D3/304
D472,749 S * 4/2003 Walker D6/525

* cited by examiner

Primary Examiner—Louis S. Zarfes

Assistant Examiner—John Windmuller

(74) *Attorney, Agent, or Firm*—Edgar A. Zarins; Lloyd D. Doigan

(57) **CLAIM**

The ornamental design for a wire basket, as shown and described.

DESCRIPTION

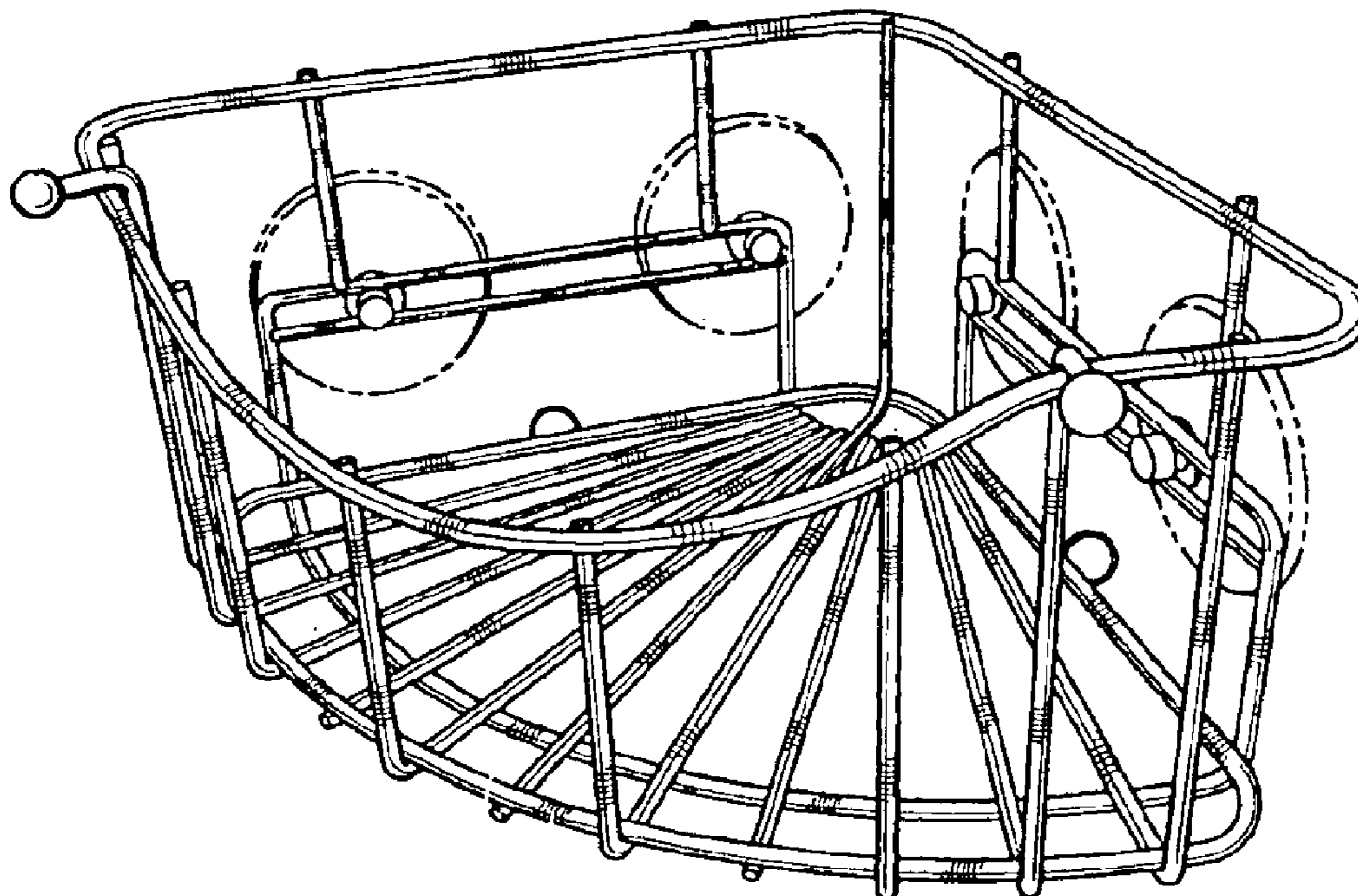
FIG. 1 is a perspective view of a wire basket showing my new design;

FIG. 2 is a top plan view thereof;

FIG. 3 is a front elevational view thereof; and,

FIG. 4 is a right side view thereof; the opposite side being a mirror image of the side shown.

1 Claim, 2 Drawing Sheets



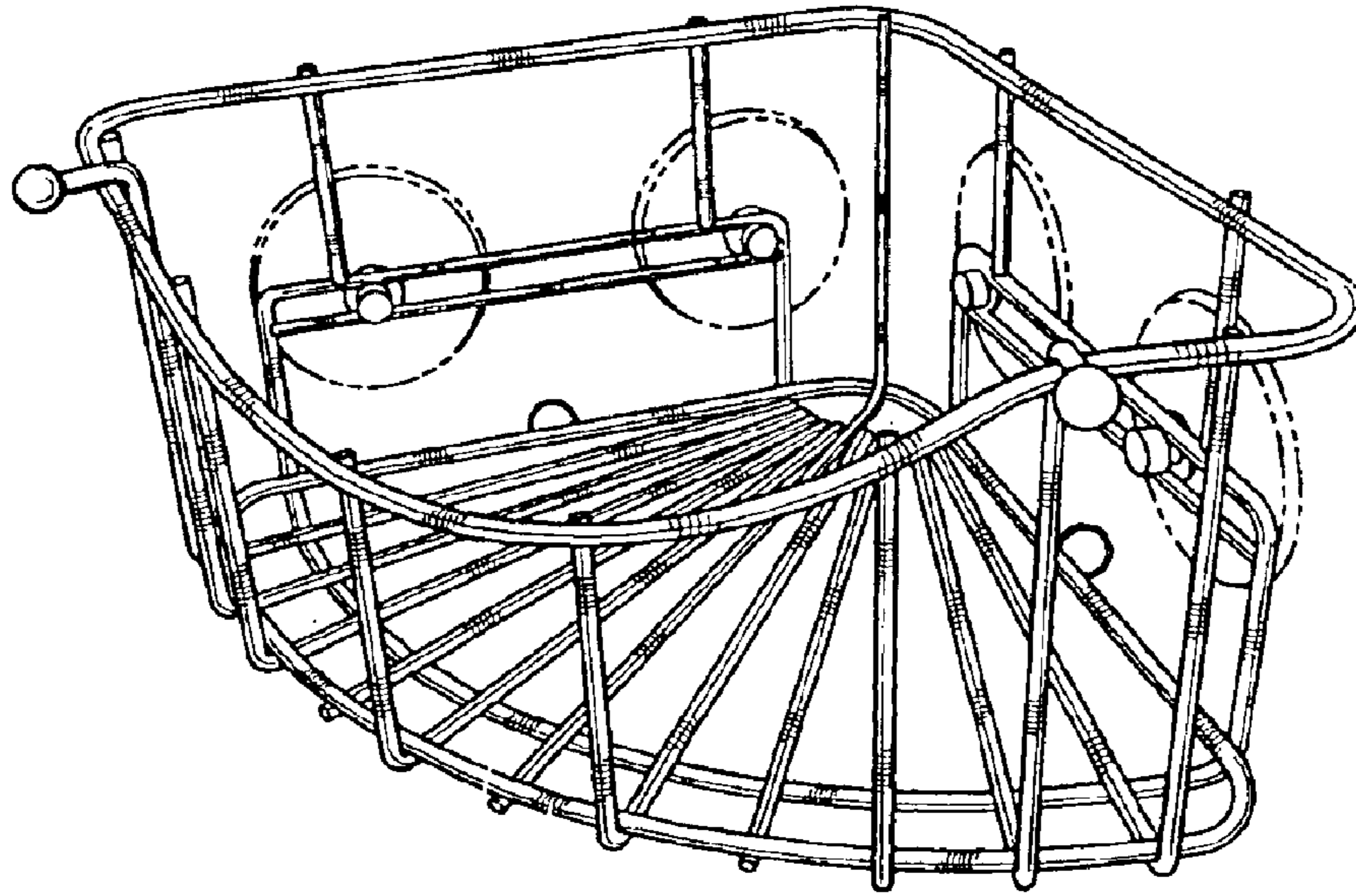


Fig-1

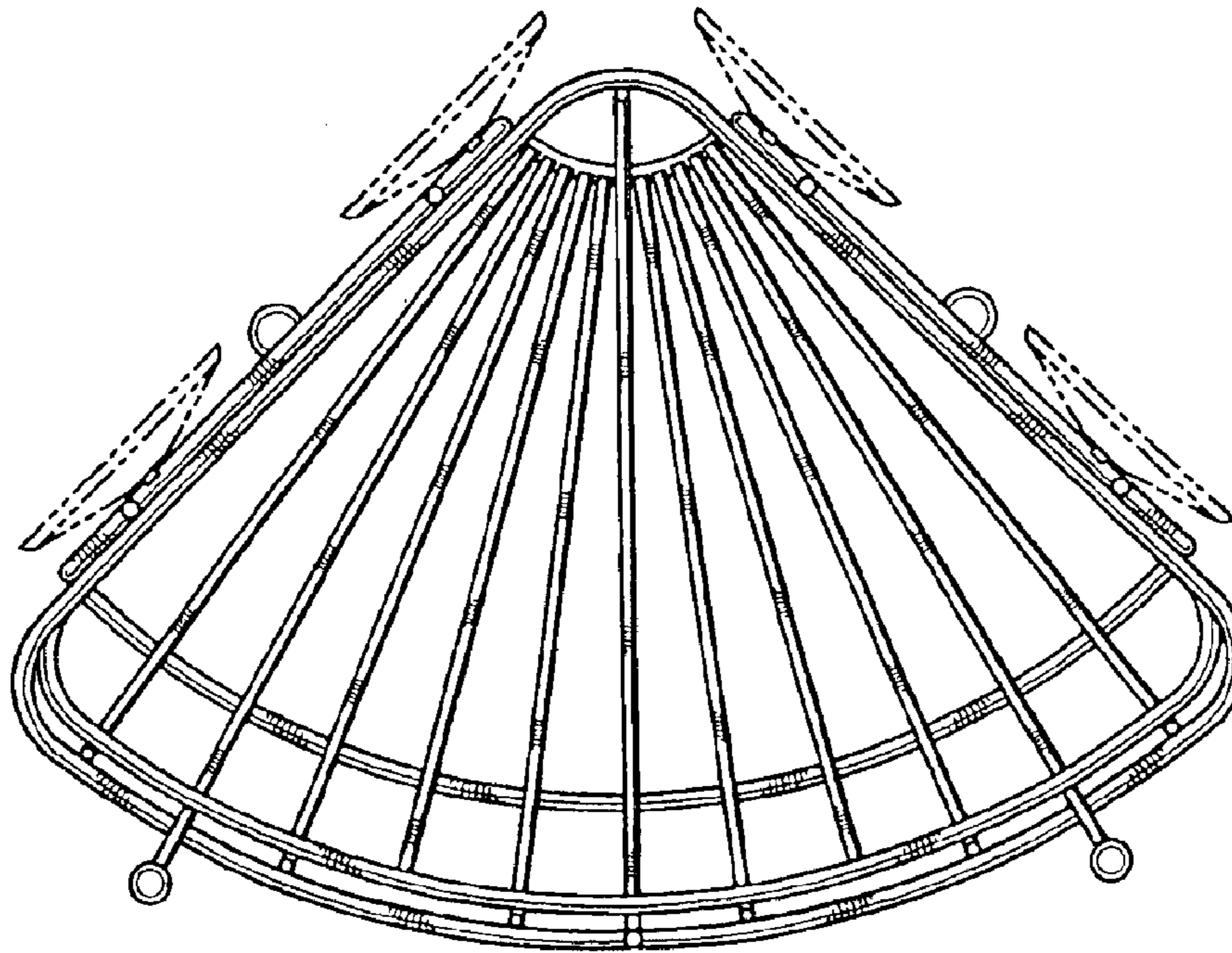


Fig-2

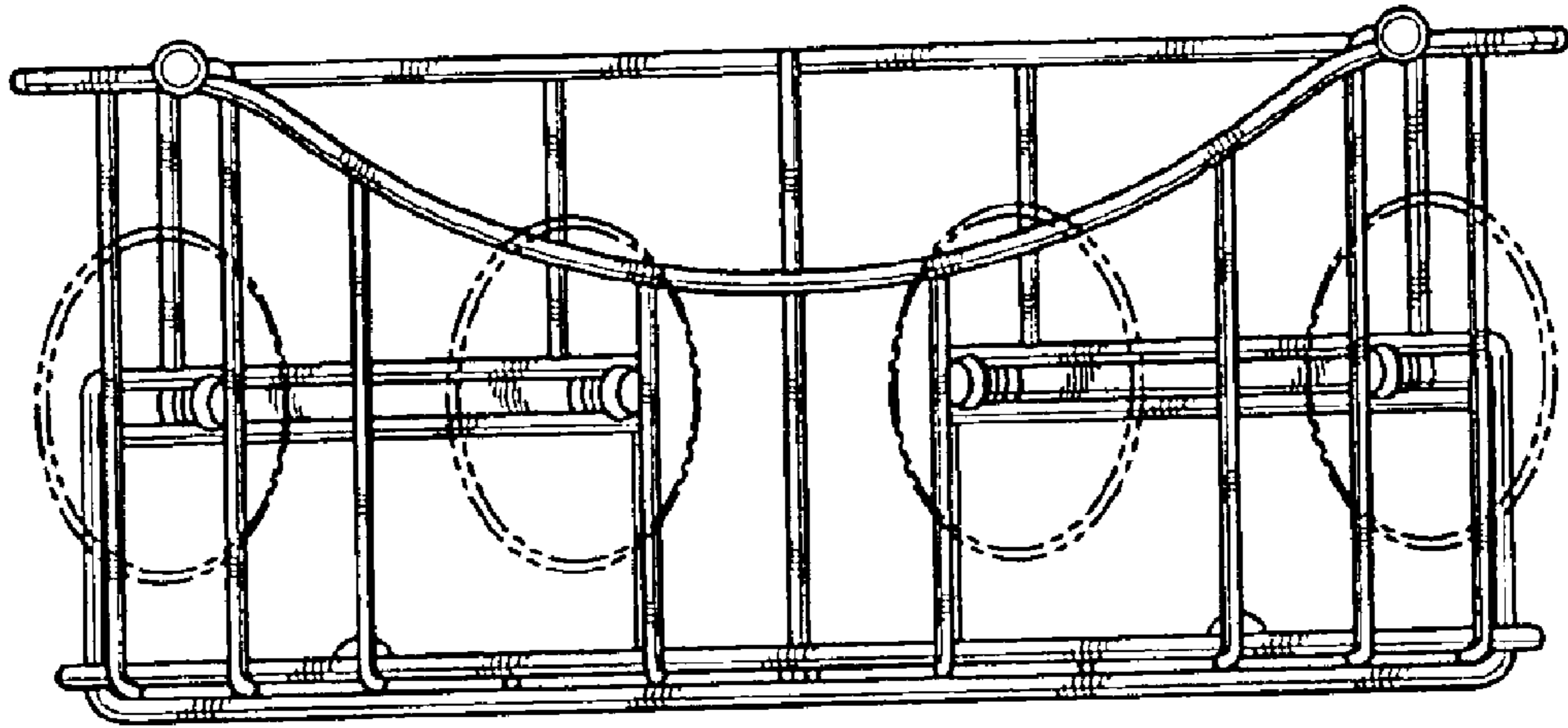


Fig-3

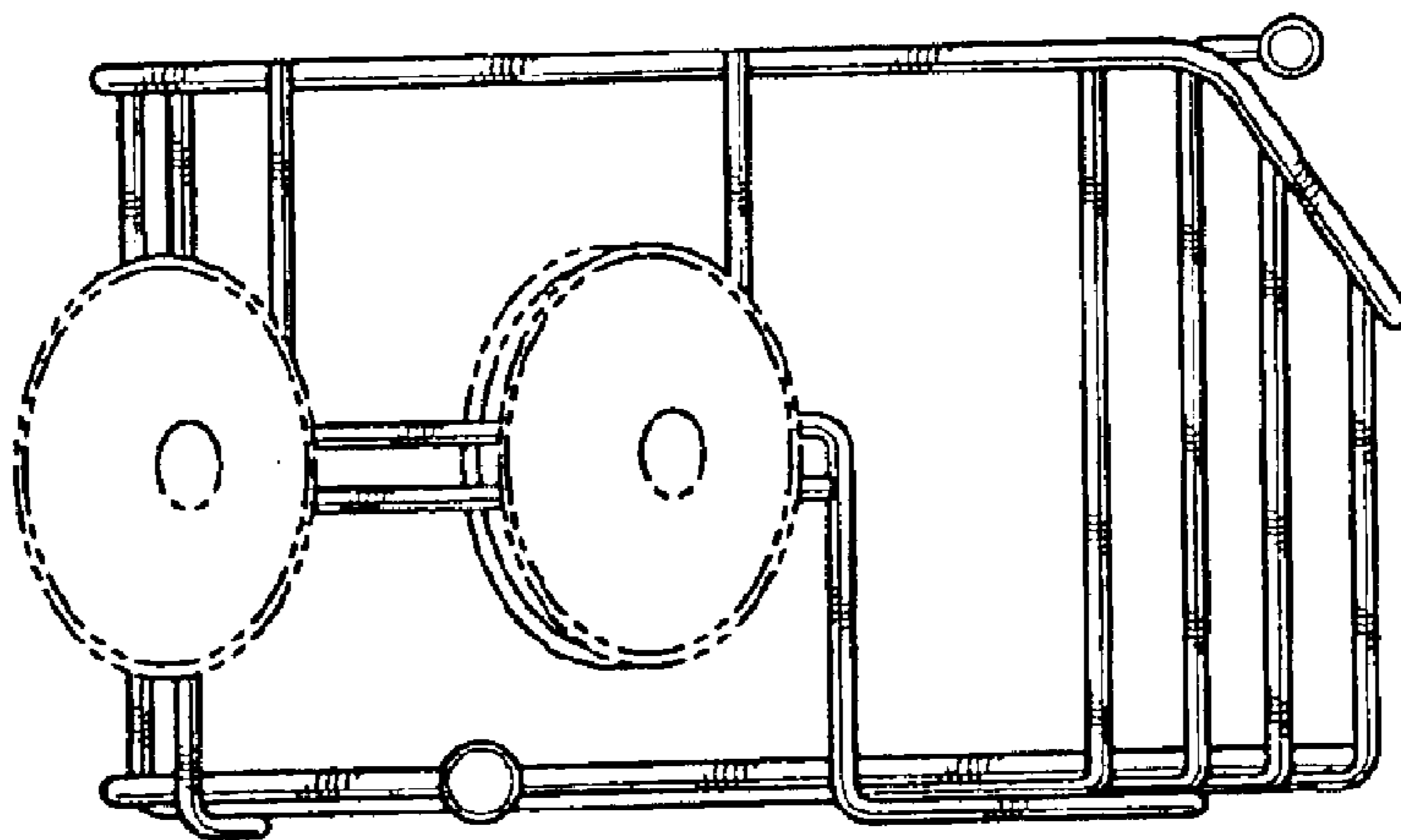


Fig-4