

US00D509360S

(12) **United States Design Patent**
Cassegrain

(10) **Patent No.:** **US D509,360 S**

(45) **Date of Patent:** **** Sep. 13, 2005**

(54) **TRAVEL BAG**

(75) **Inventor:** **Philippe Cassegrain, Paris (FR)**

(73) **Assignee:** **S.A.S. Jean Cassegrain, Paris (FR)**

(**) **Term:** **14 Years**

(21) **Appl. No.:** **29/198,558**

(22) **Filed:** **Jan. 29, 2004**

(51) **LOC (8) Cl. 03-01**

(52) **U.S. Cl. D3/289; D3/285**

(58) **Field of Search** D3/273, 274, 276,
D3/281, 283, 284, 285, 287, 279, 289,
301; 190/100, 102, 103, 104, 107, 109,
111, 112, 113, 18 A; 150/117; 383/110

(56) **References Cited**

U.S. PATENT DOCUMENTS

D271,823 S	*	12/1983	Waites	D3/289
4,756,394 A	*	7/1988	Cohen	190/18 A
D329,329 S	*	9/1992	Bomes et al.	D3/279
5,251,731 A	*	10/1993	Cassese et al.	190/107
5,289,906 A	*	3/1994	Guidi	190/107
D362,548 S	*	9/1995	King et al.	D3/301
D374,987 S	*	10/1996	Hughes	D3/279
D410,777 S	*	6/1999	Pizzi et al.	D3/279
D411,918 S	*	7/1999	Neuman	D3/289
D416,680 S	*	11/1999	Latshaw	D3/286
D446,936 S	*	8/2001	Sanderson et al.	D3/289
6,401,890 B1	*	6/2002	Tan	190/107
D461,635 S	*	8/2002	Sharples	D3/279

* cited by examiner

Primary Examiner—Philip S. Hyder

(74) *Attorney, Agent, or Firm*—Gottlieb, Rackman & Reisman, P.C.

(57) **CLAIM**

The ornamental design for a travel bag, as shown and described.

DESCRIPTION

FIG. 1 is a front elevation view of my new design, with certain stitching and certain hardware shown in dashed line for illustrative purposes only and forming no part of the claimed design, showing the travel bag in an expanded condition;

FIG. 2 is a right side elevation view thereof;

FIG. 3 is a rear elevation view thereof;

FIG. 4 is a left side elevation view thereof;

FIG. 5 is a bottom plan view thereof;

FIG. 6 is a front elevation view of the design, similar to that of FIG. 1, but showing the travel bag in a nonexpanded condition;

FIG. 7 is a right side elevation view thereof;

FIG. 8 is a top plan view thereof;

FIG. 9 is a rear elevation view thereof;

FIG. 10 is a left side elevation view thereof;

FIG. 11 is a front elevation view of my design, similar to that of FIG. 1, showing the duffle bag receiving a wheeled carrier in dashed line for illustrative purposes only and forming no part of the claimed design;

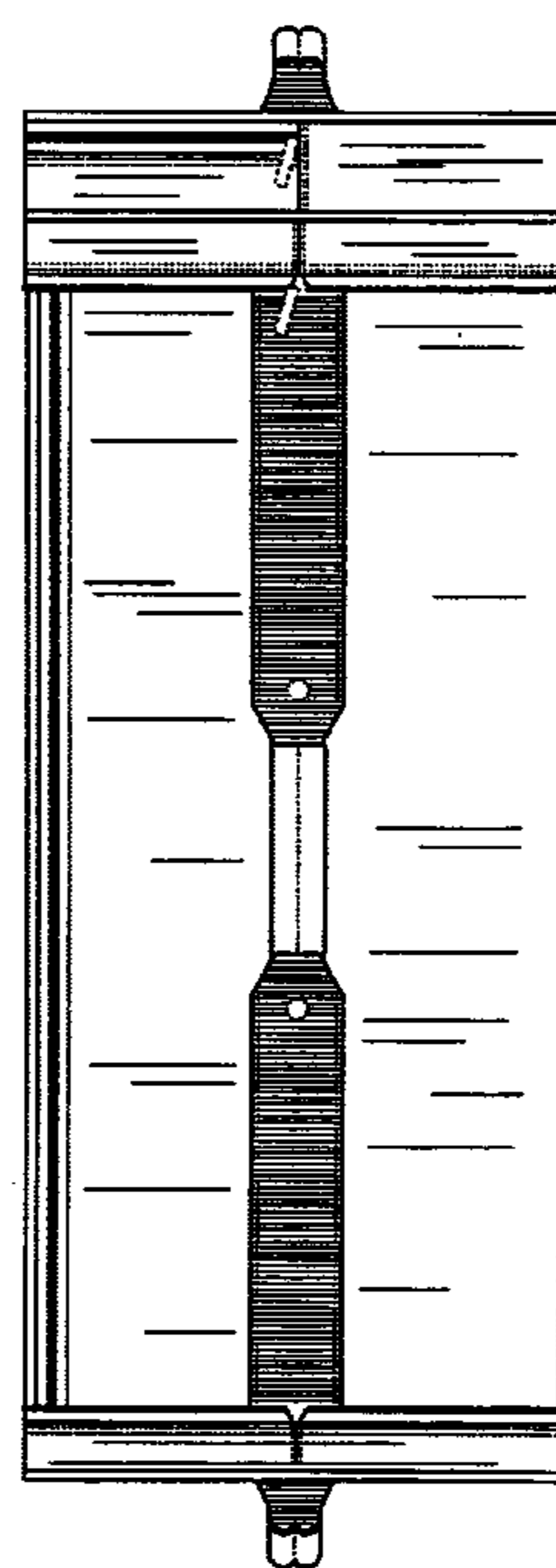
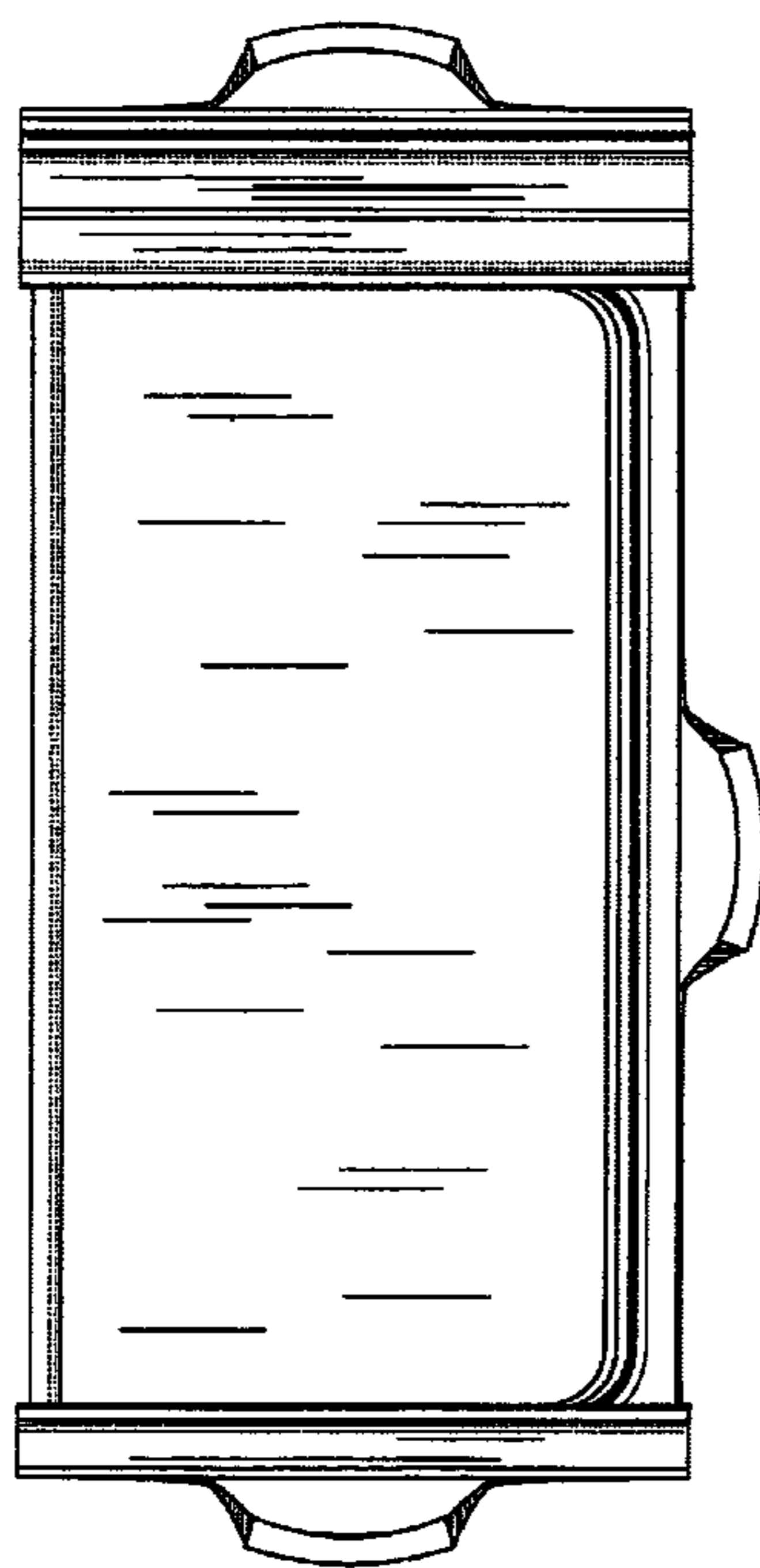
FIG. 12 is a right side elevation view thereof;

FIG. 13 is a rear elevation view thereof;

FIG. 14 is a rear elevation view thereof, similar to that of FIG. 6; and,

FIG. 15 is a top plan view thereof, similar to that of FIG. 8.

1 Claim, 7 Drawing Sheets



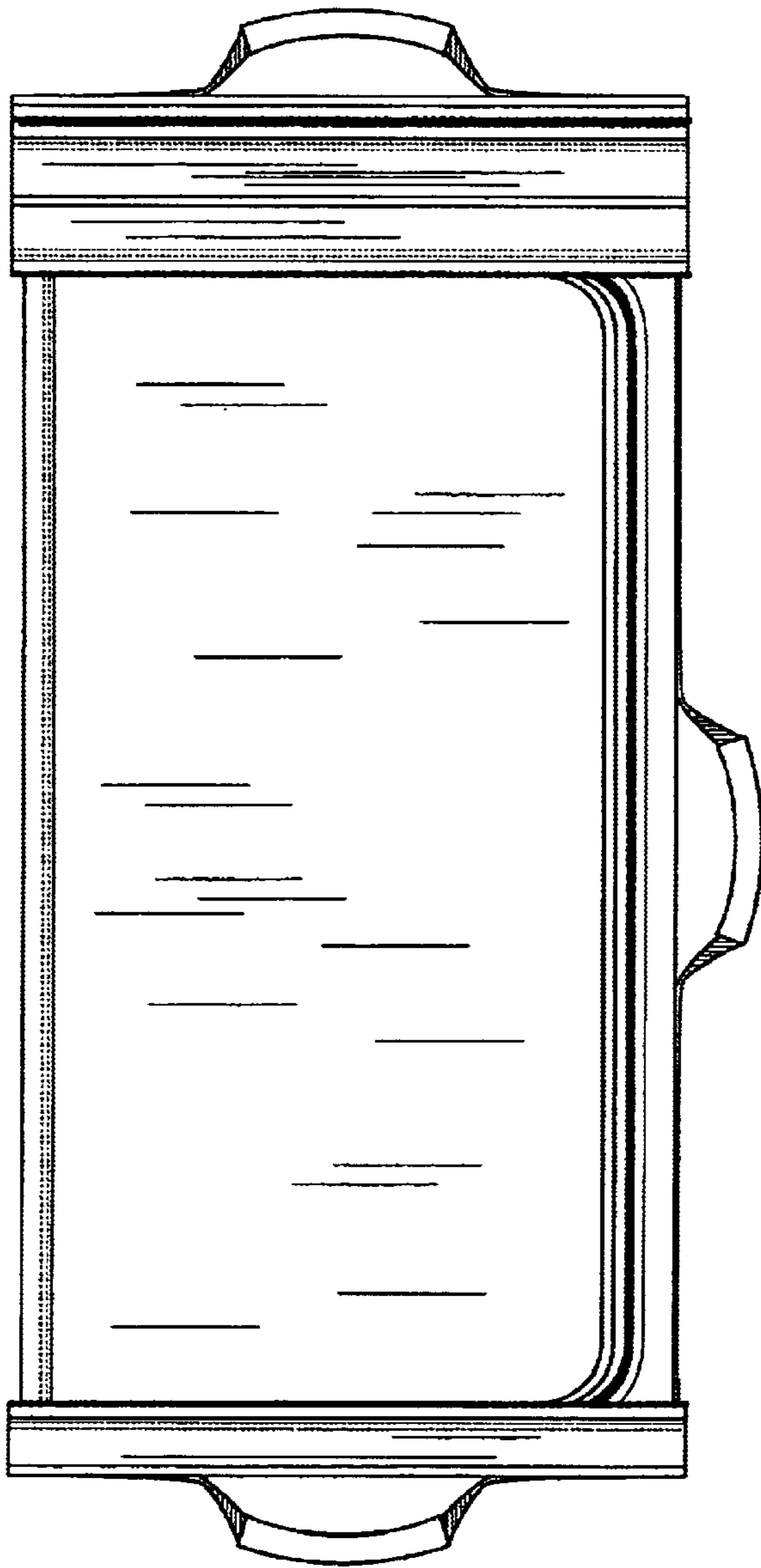


FIG. 1

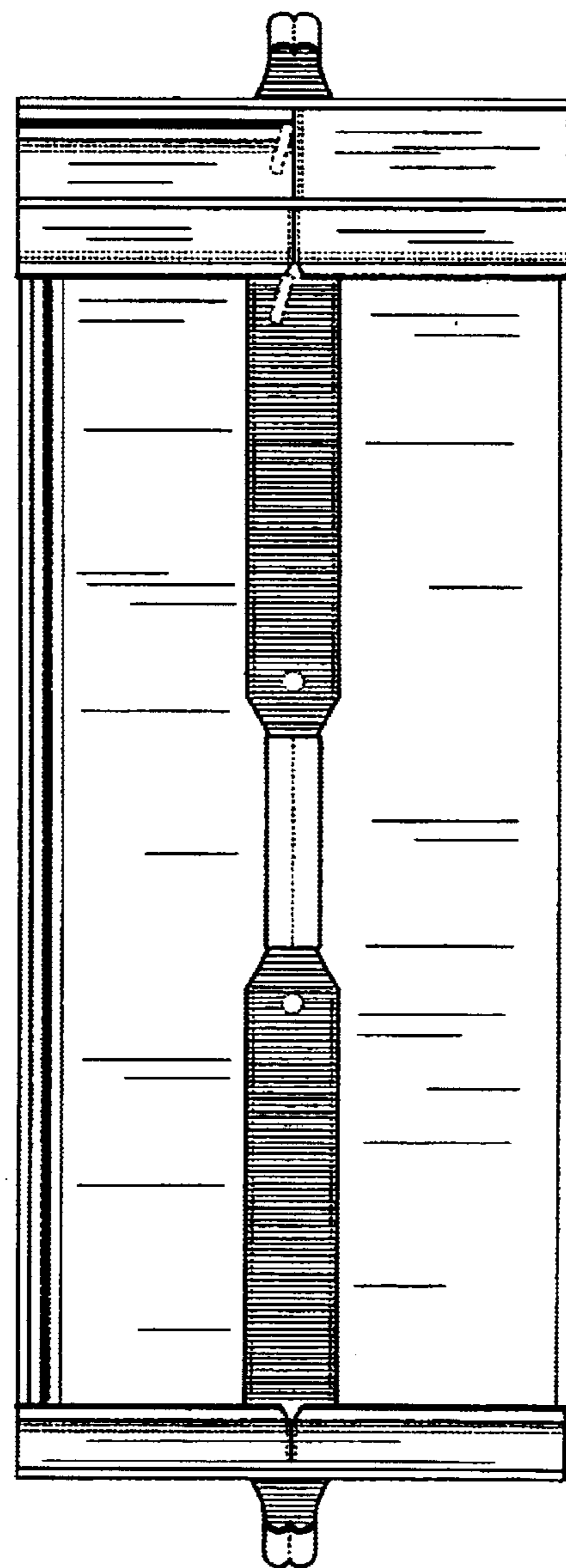


FIG. 2

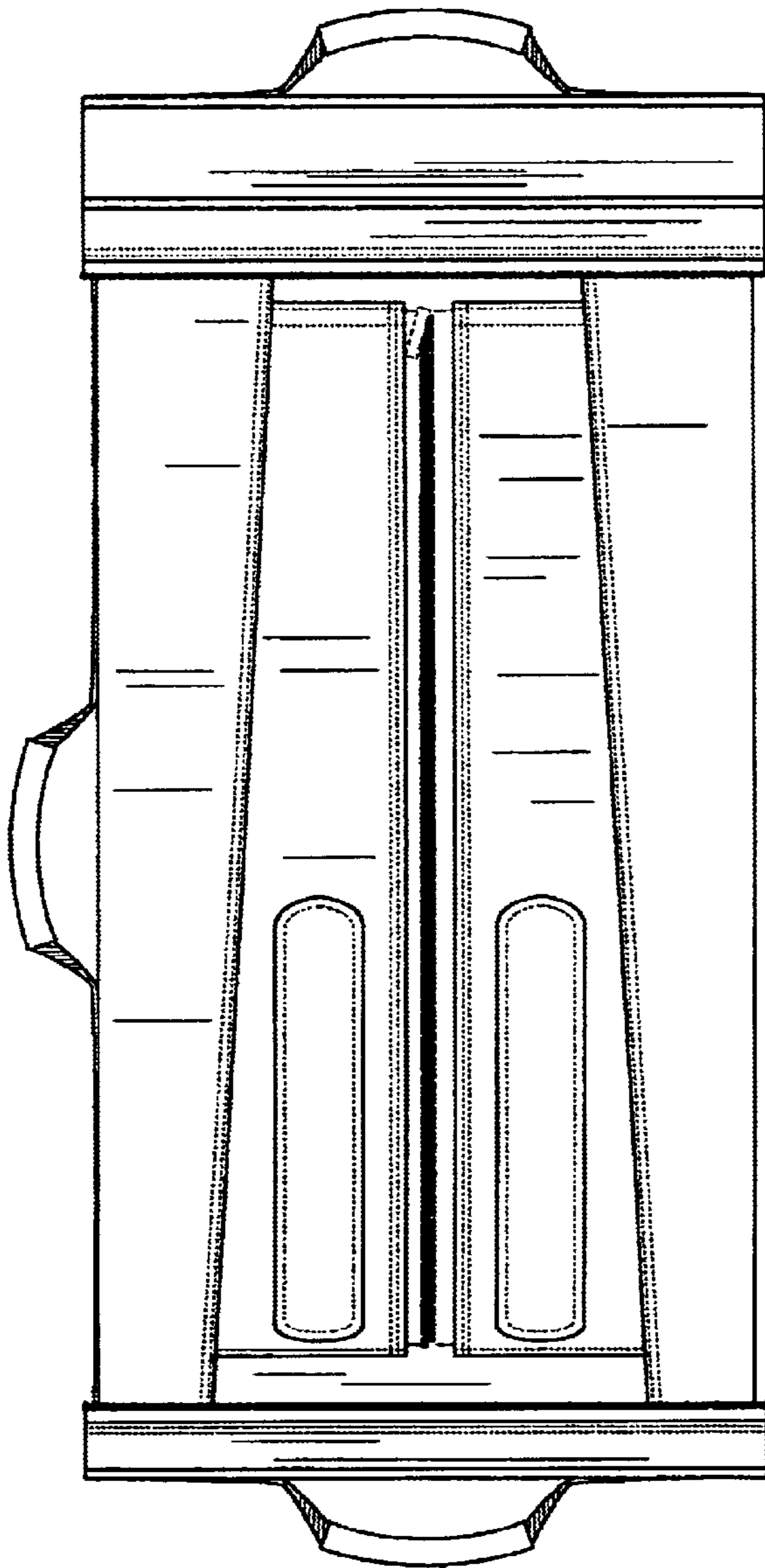


FIG. 3

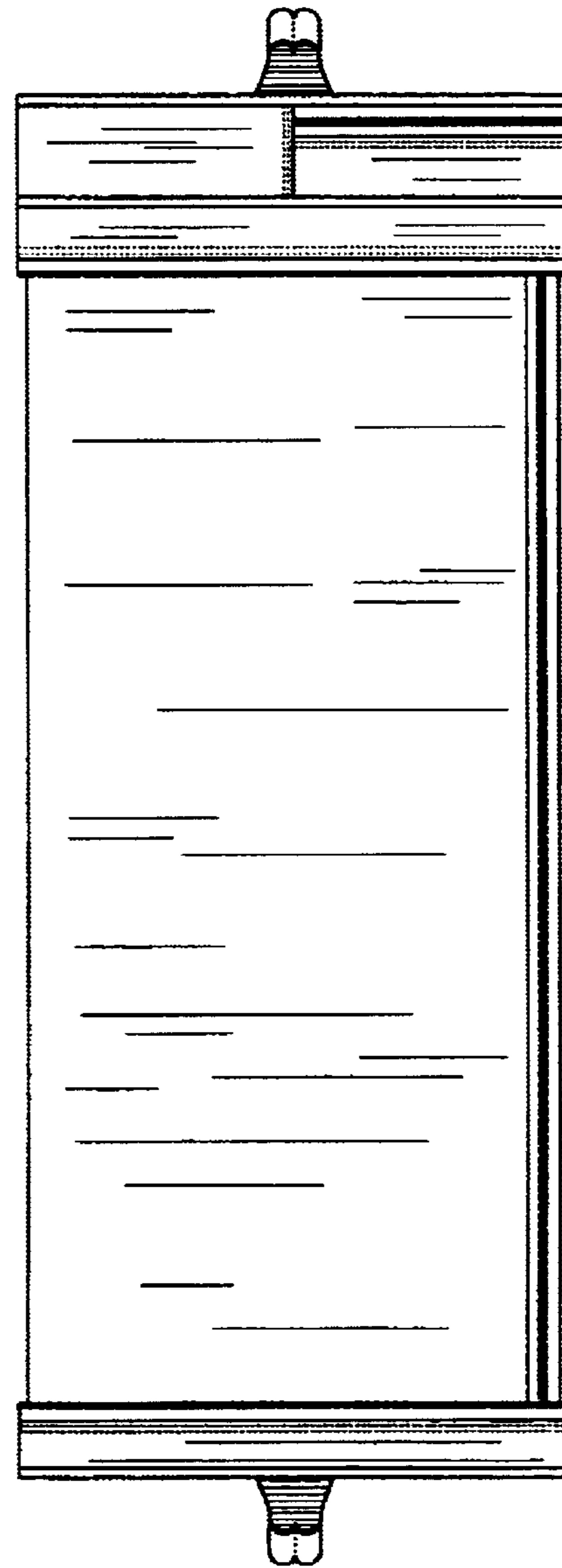


FIG. 4

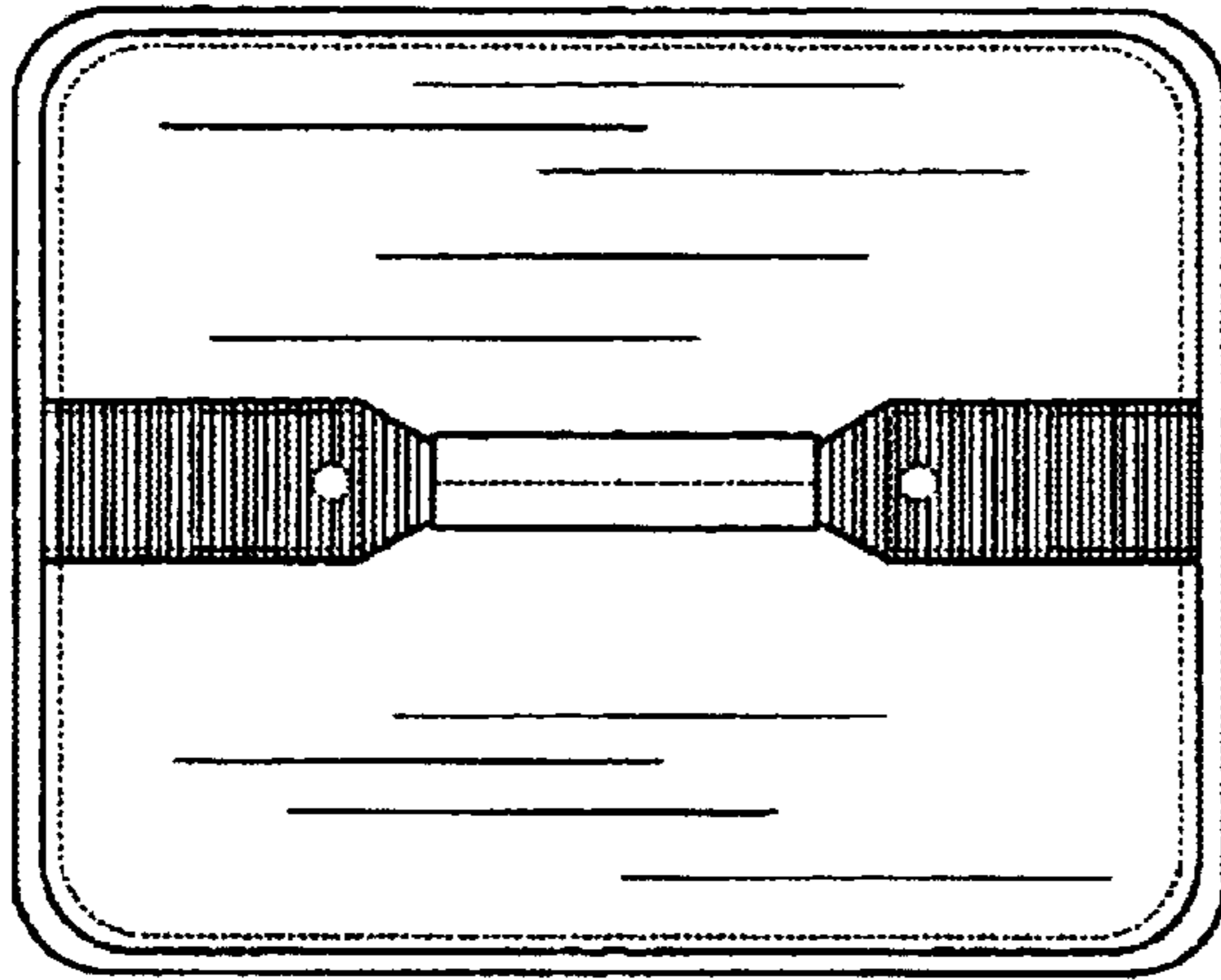


FIG. 5

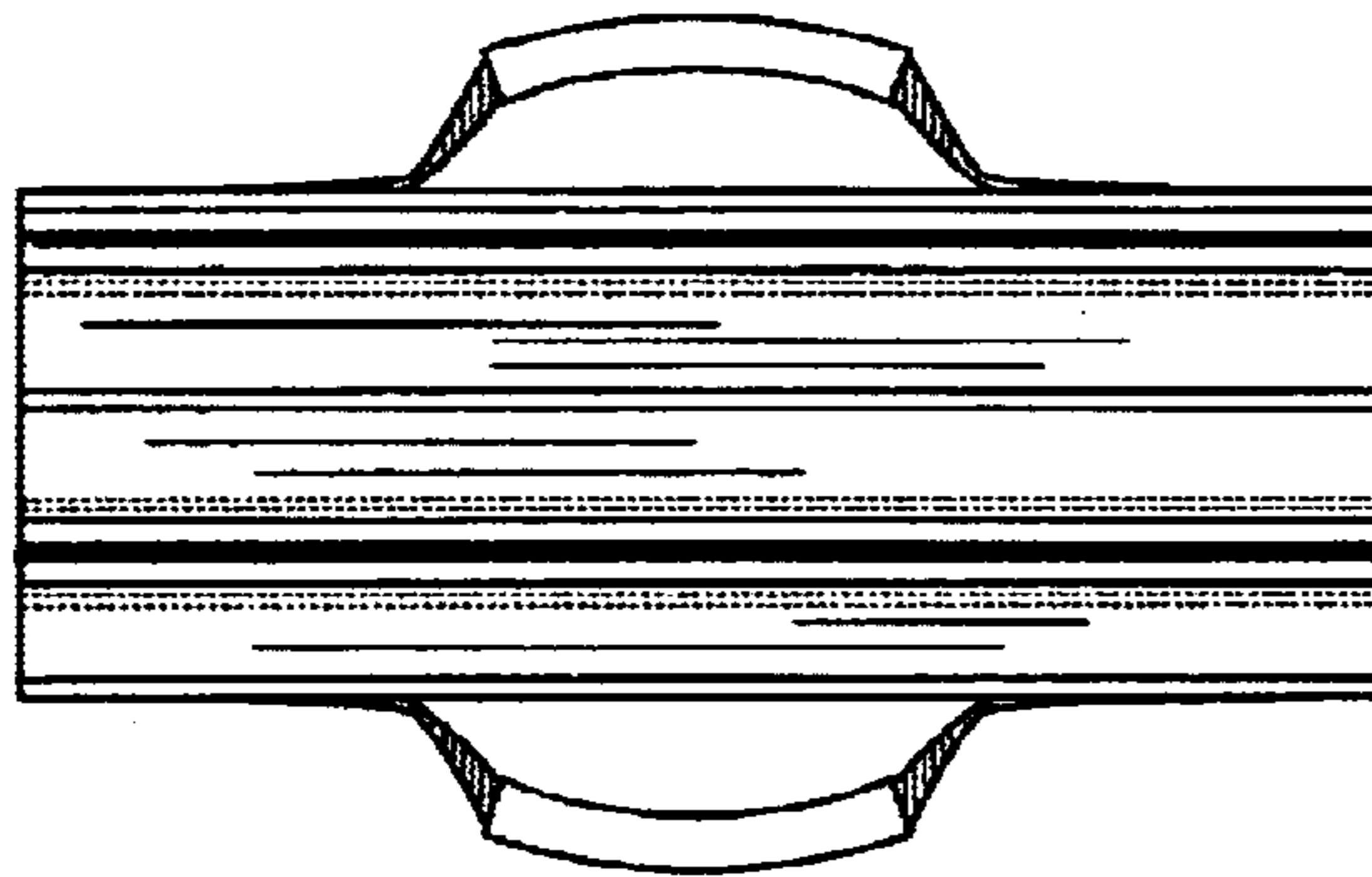


FIG. 6

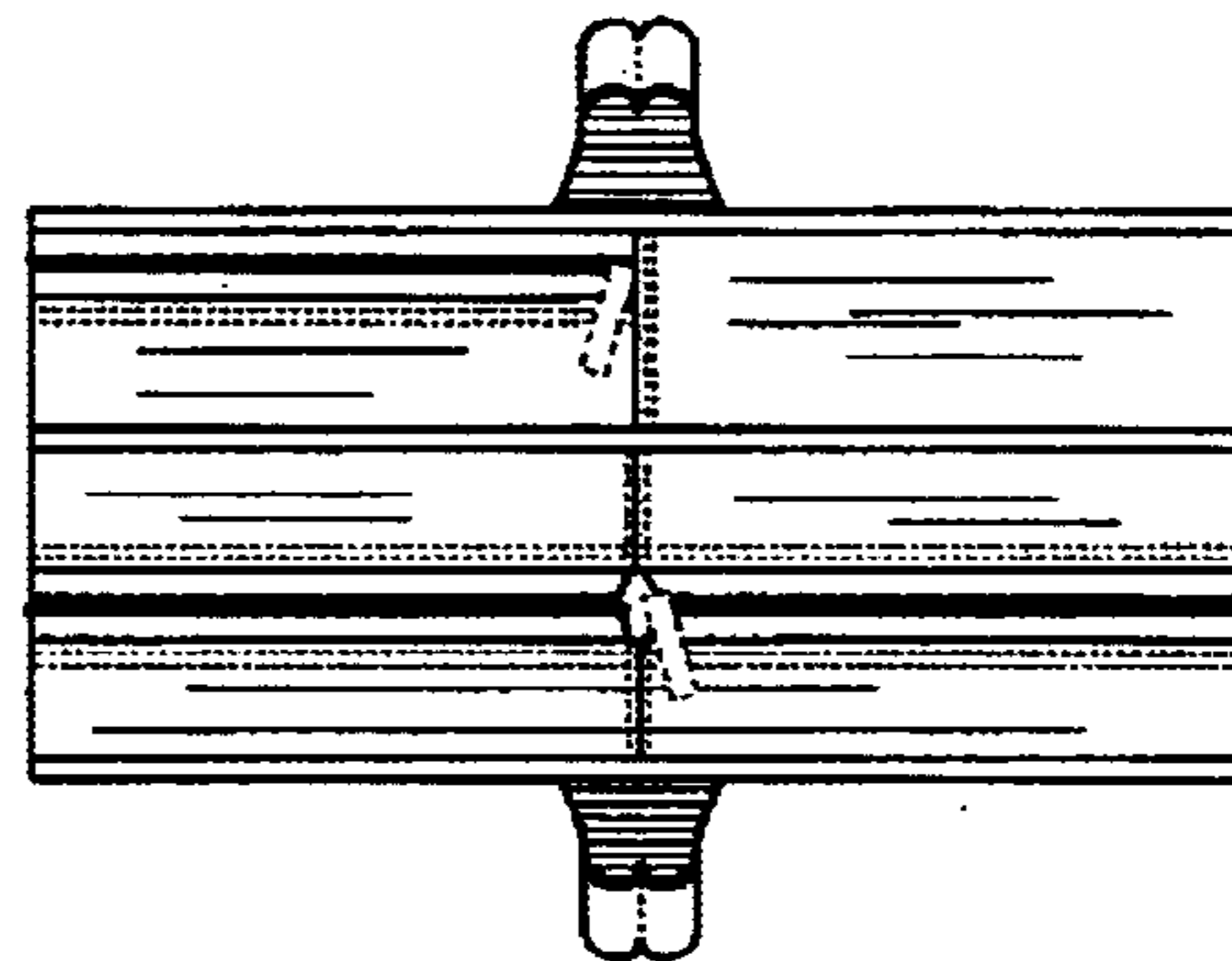


FIG. 7

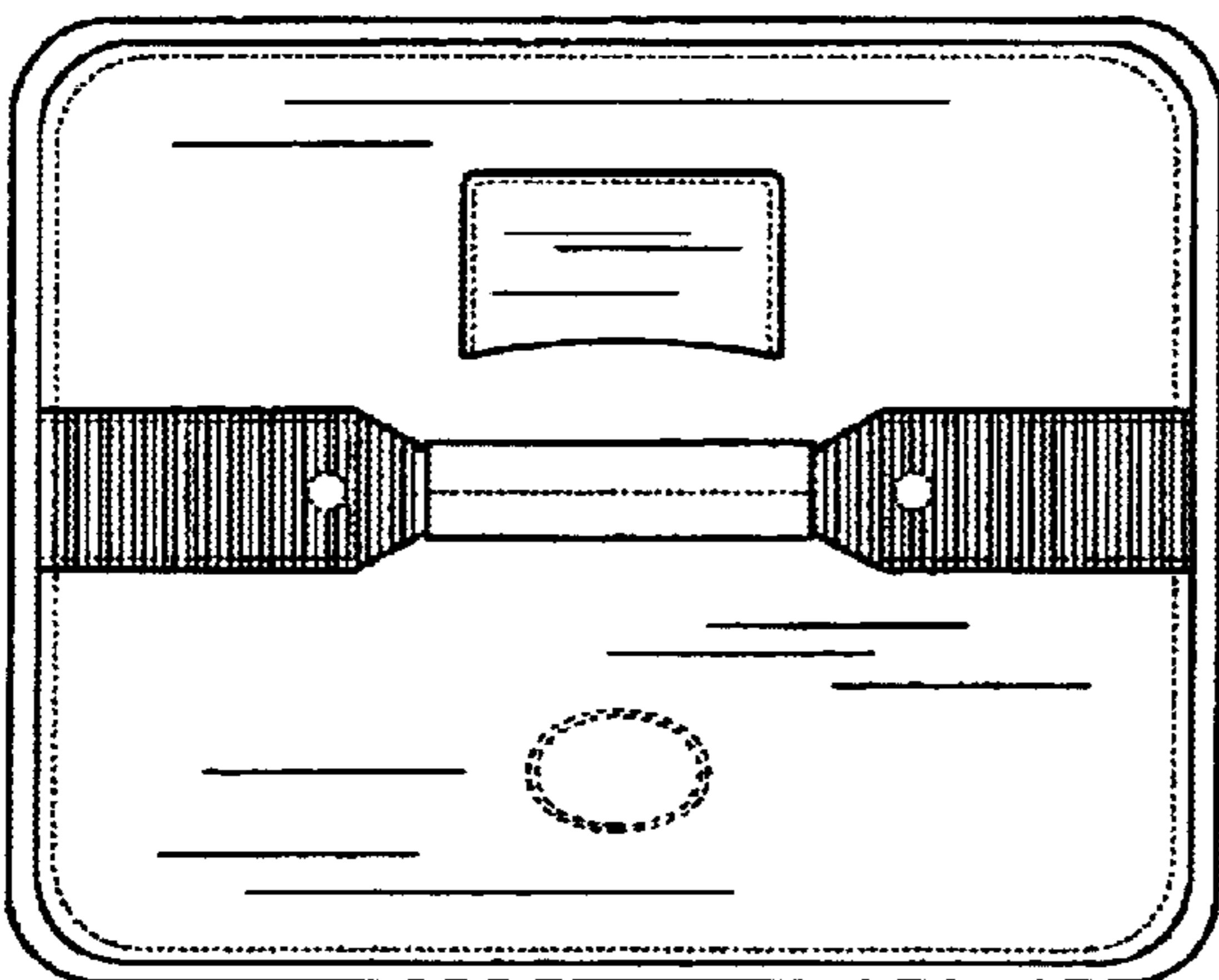


FIG. 8

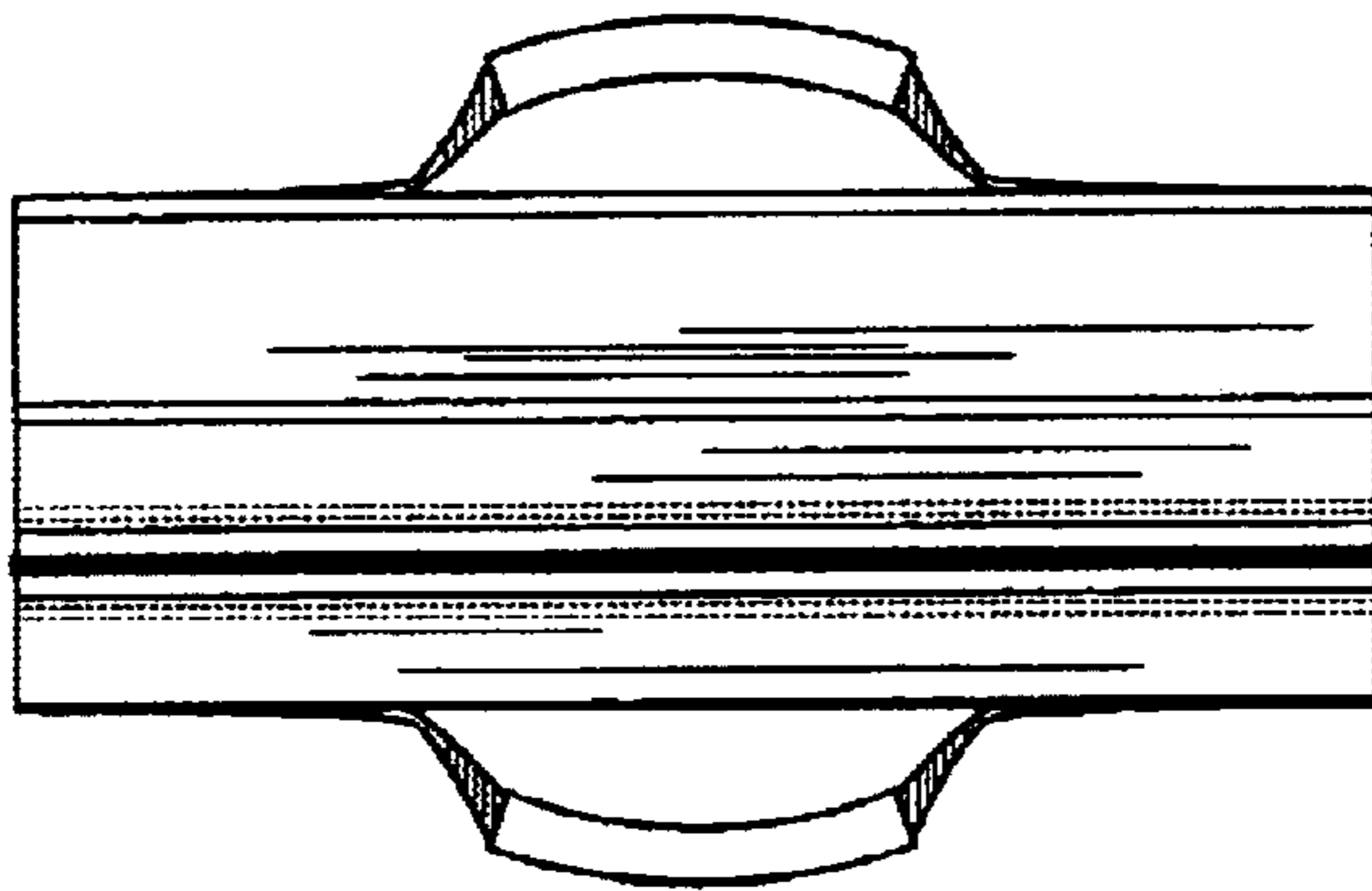


FIG. 9

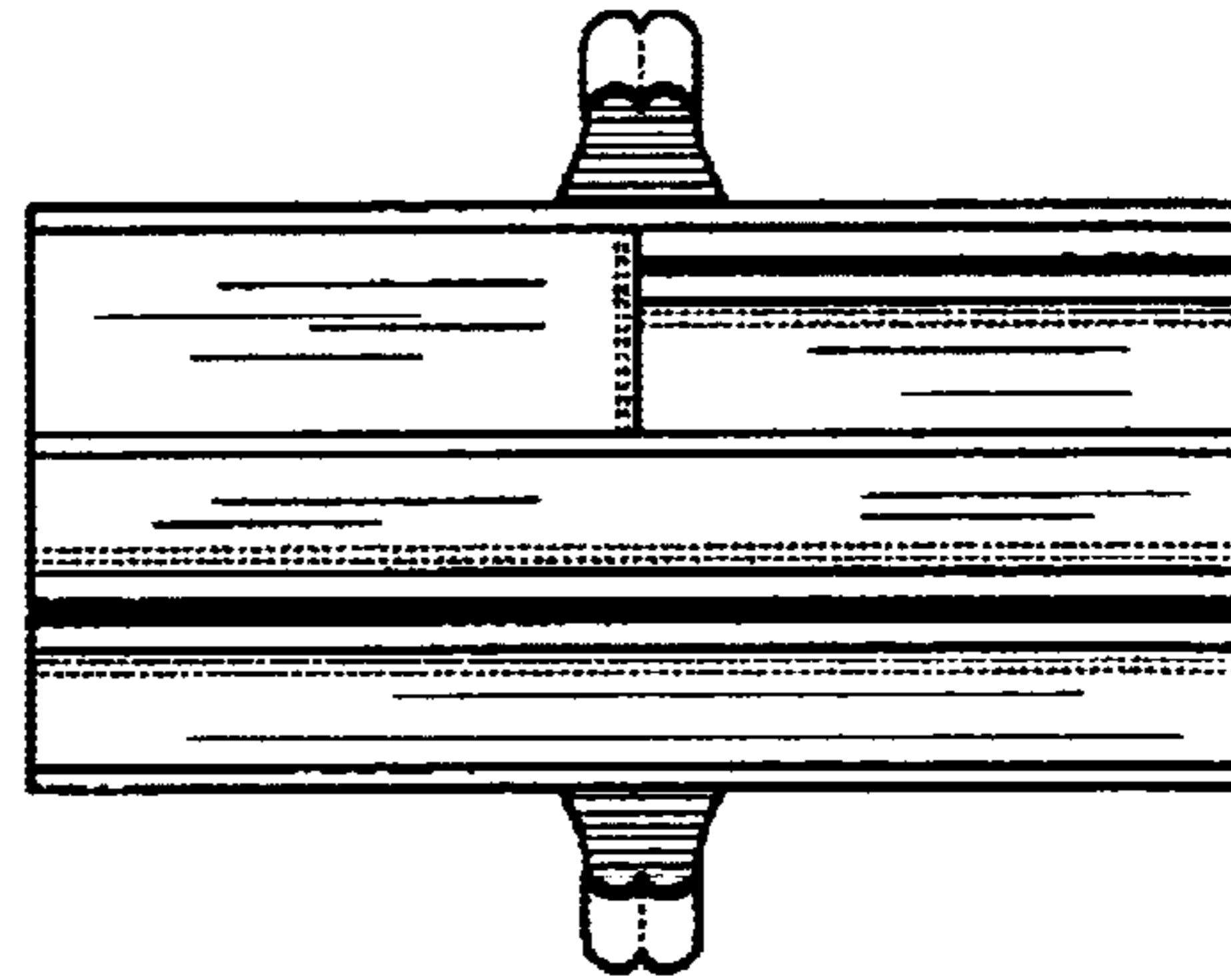


FIG. 10

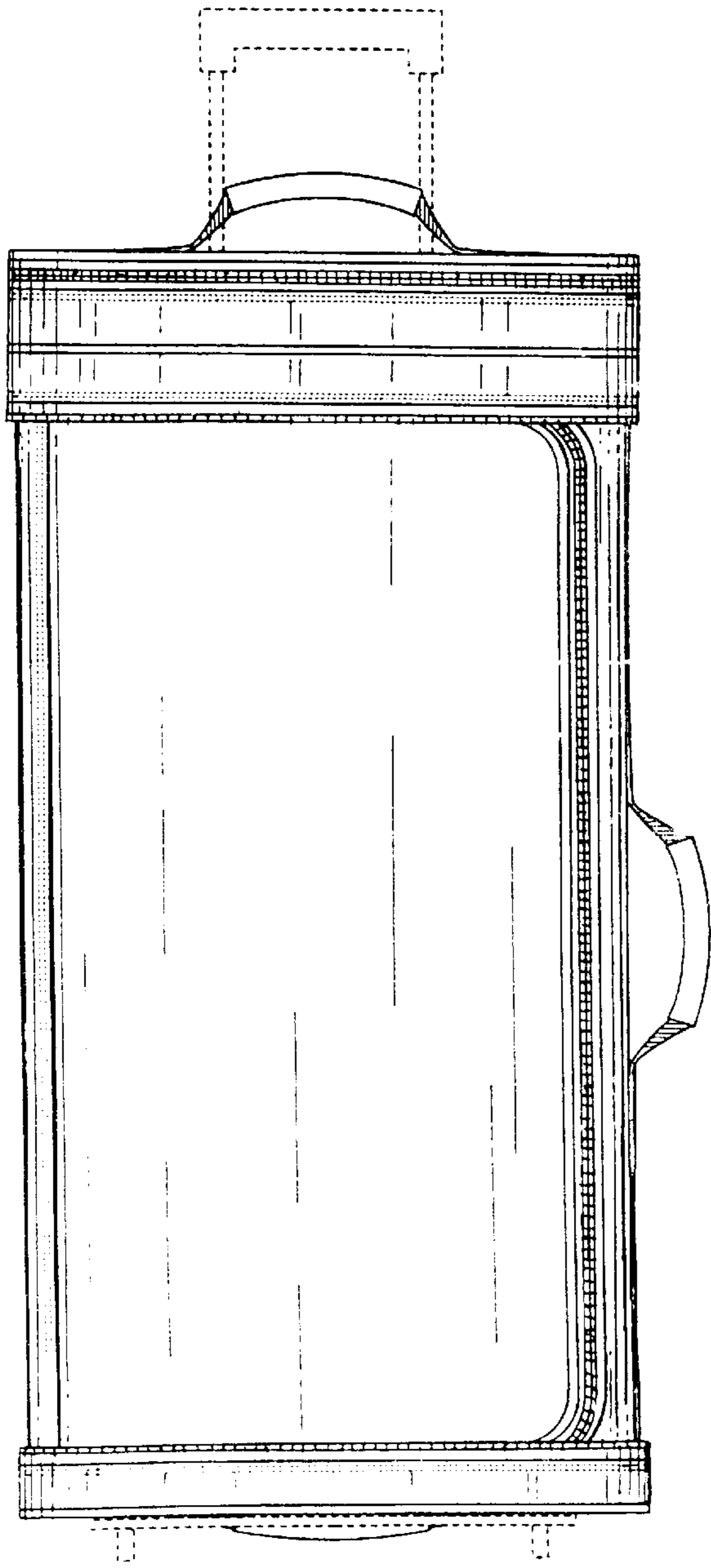


FIG. 11

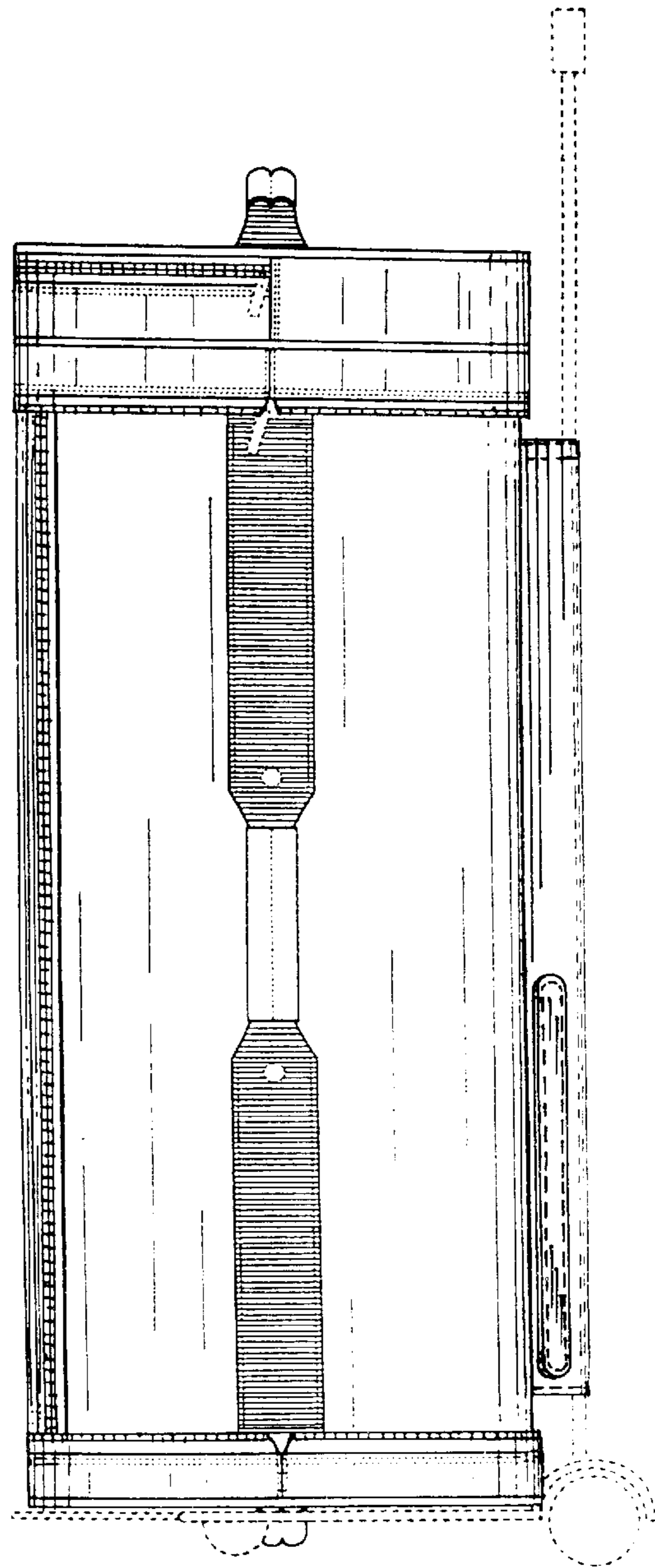


FIG. 12

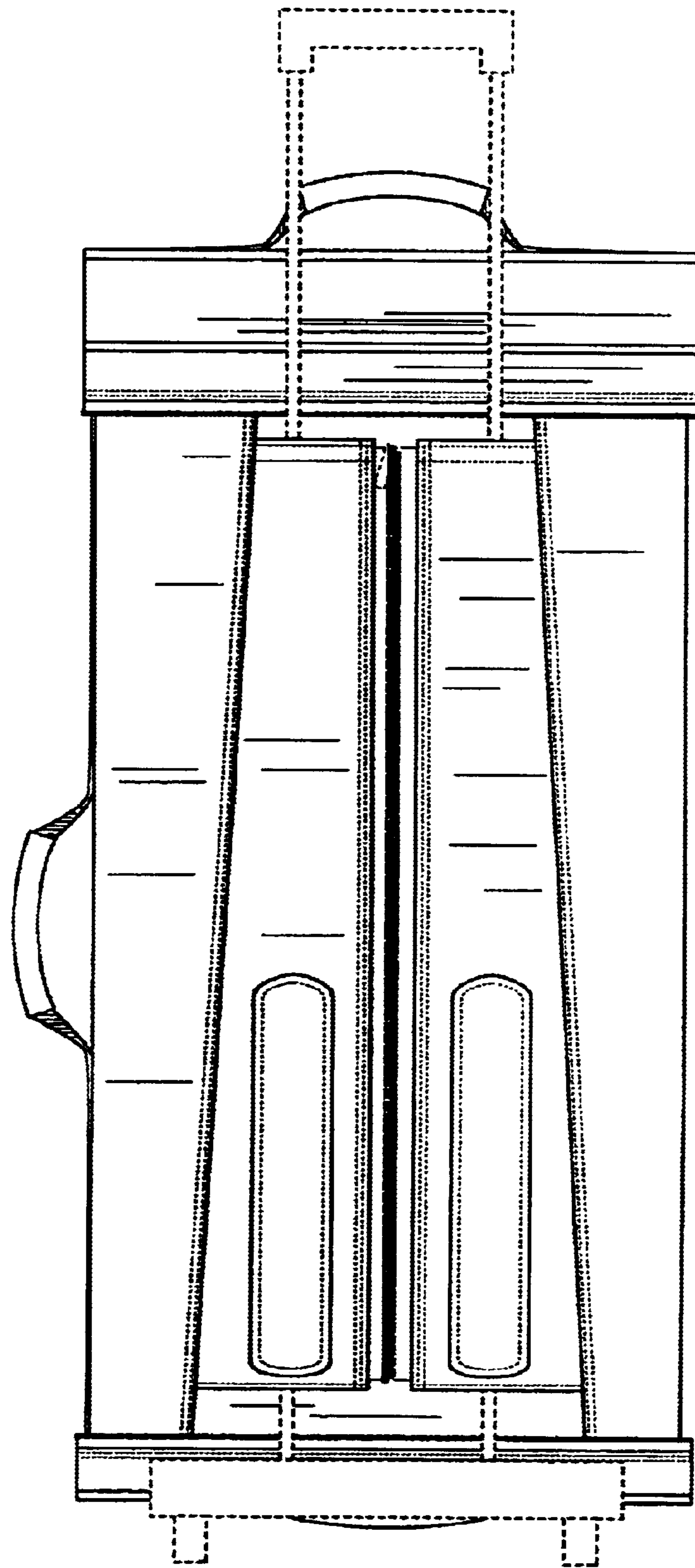


FIG. 13

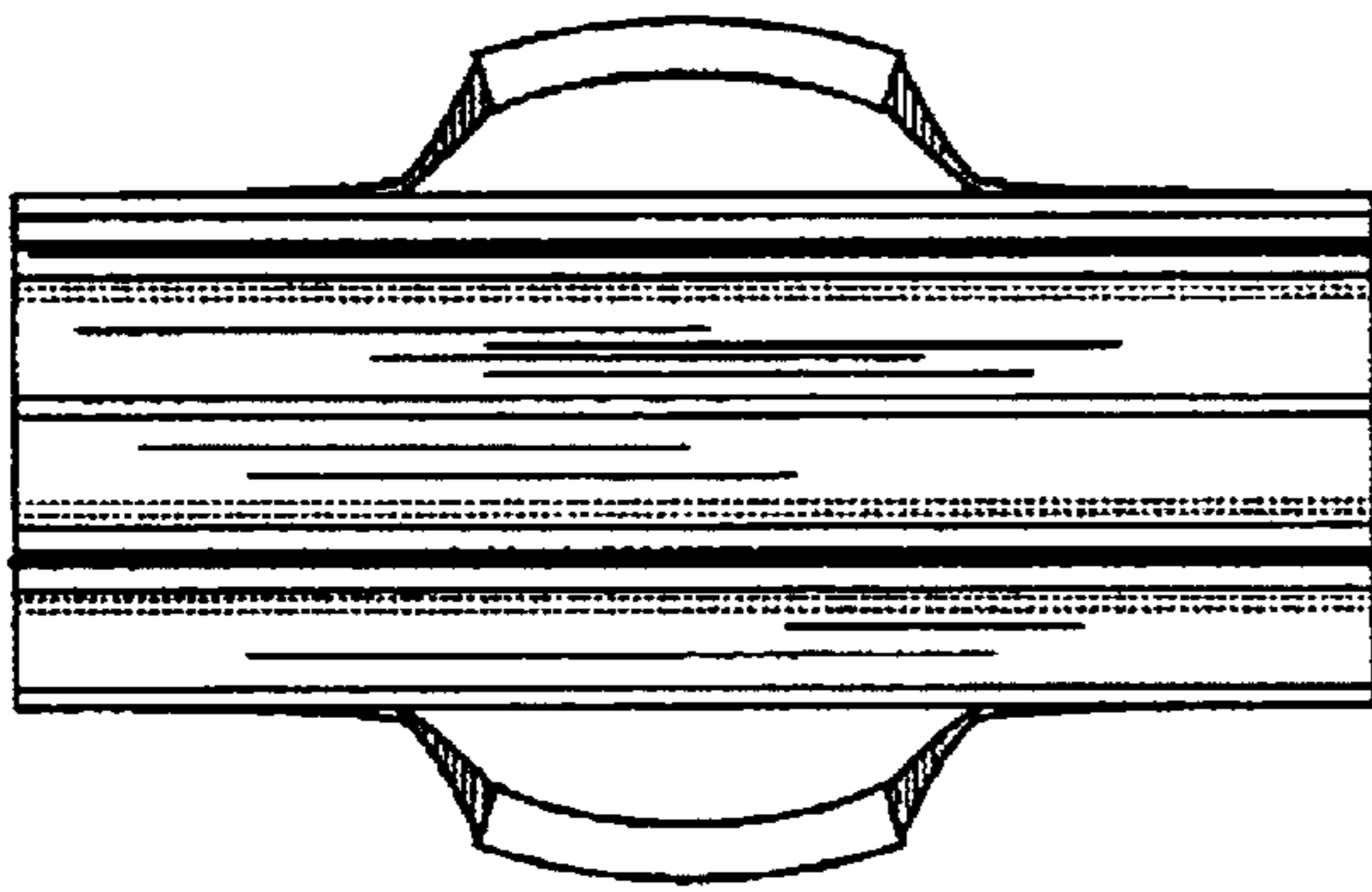


FIG. 14

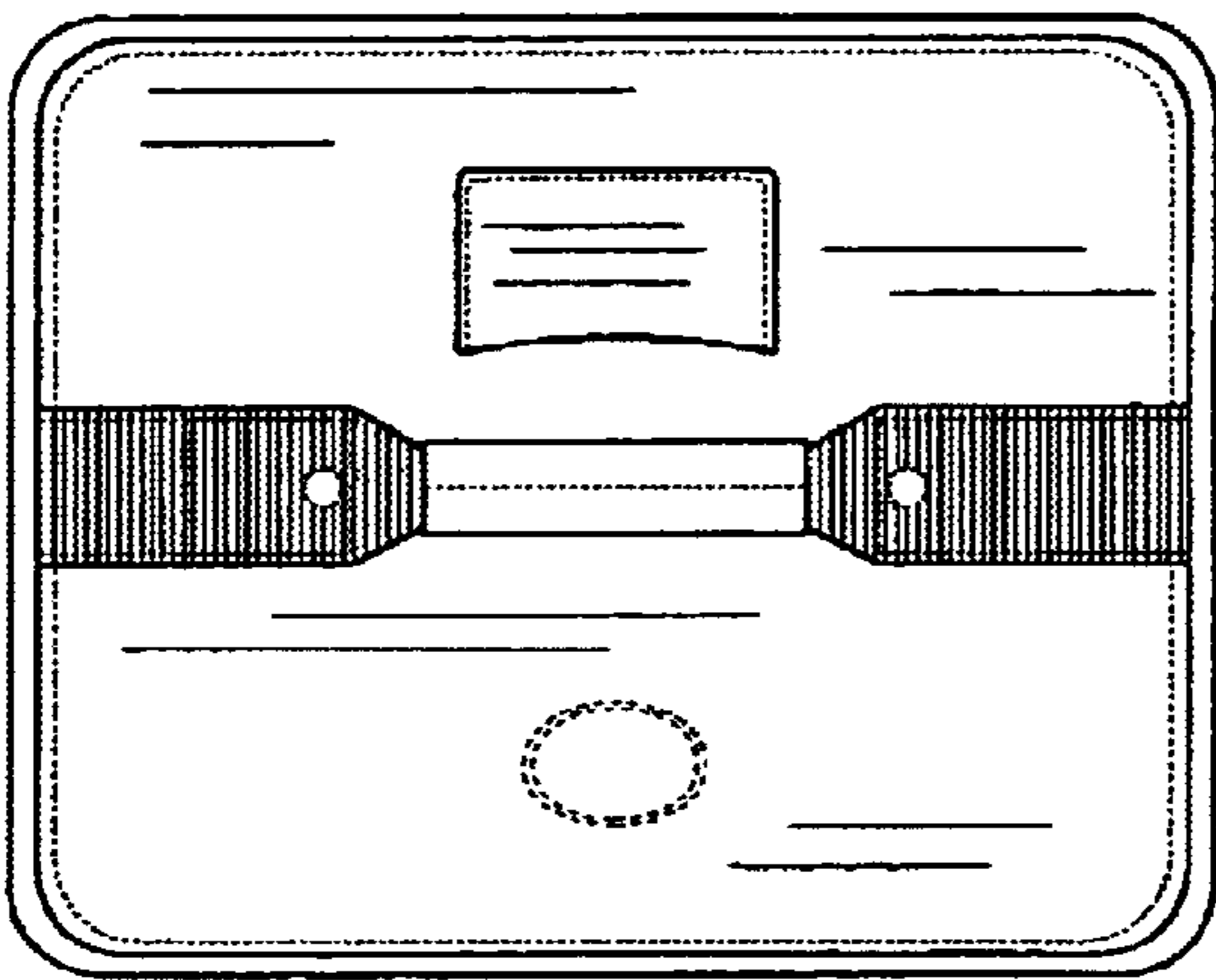
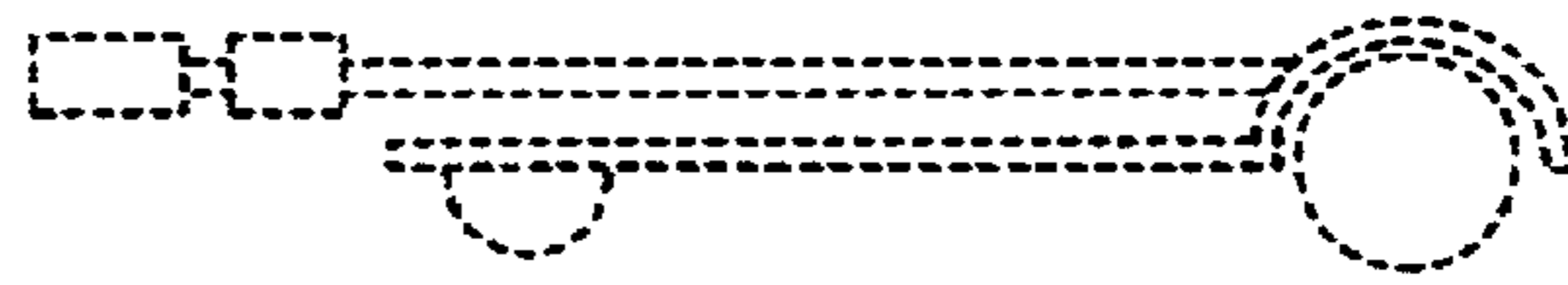


FIG. 15

