

US00D509356S

(12) **United States Design Patent**
Kushner

(10) **Patent No.: US D509,356 S**

(45) **Date of Patent: ** Sep. 13, 2005**

(54) **EYEGLASS HOLDER**

(76) **Inventor: Robert Gerald Kushner, 27nd Floor,
Flat E, Tower 125, 11 PO Yan Street,
Sheung Wan (HK)**

(**) **Term: 14 Years**

(21) **Appl. No.: 29/150,416**

(22) **Filed: Nov. 16, 2001**

(51) **LOC (8) Cl. 03-01**

(52) **U.S. Cl. D3/266; D3/219; D3/263**

(58) **Field of Search D3/201, 215, 219,
D3/225, 243, 263, 268, 301, 266, 267;
D8/339; 206/316.1, 316.2, 5, 5.1; 224/908;
248/902, 300, 316.7; D12/417; 24/3.3**

(56) **References Cited**

U.S. PATENT DOCUMENTS

553,325	A	*	1/1896	Zestermann	248/300
4,695,026	A	*	9/1987	Medley, Jr.	248/316.5
D292,595	S	*	11/1987	Tanaka	D12/417
4,771,515	A		9/1988	Guarro		
D313,501	S	*	1/1991	Levy et al.	D3/266
5,137,242	A		8/1992	Reath		
5,251,795	A		10/1993	Jeppesen		
5,265,736	A		11/1993	Orr		
5,351,098	A		9/1994	McDaniels et al.		
5,408,728	A		4/1995	Wisniewski		
5,619,774	A		4/1997	Perry		
5,794,312	A		8/1998	O'Mahony		
5,860,191	A	*	1/1999	Sieger	24/3.3
5,921,409	A		7/1999	Gerber et al.		
5,941,487	A		8/1999	Keely		
5,975,476	A	*	11/1999	Mancinelli	248/316.7
5,983,459	A		11/1999	Goldenberg		
6,102,346	A		8/2000	Visser		
6,134,753	A		10/2000	O'Mahony		
6,135,407	A		10/2000	Havis et al.		

D437,113	S	*	2/2001	Koehler	D3/219
D438,002	S	*	2/2001	Lin	D3/265
6,206,258	B1		3/2001	Calder		
D440,400	S	*	4/2001	Baldwin et al.	D3/266
6,210,003	B1		4/2001	Chan		
6,273,386	B1		8/2001	Boeder		
D448,554	S	*	10/2001	Zelman	D3/219
D448,563	S	*	10/2001	Kim	D3/266
D456,606	S	*	5/2002	Kim	D3/266

* cited by examiner

Primary Examiner—Celia Murphy

(74) *Attorney, Agent, or Firm*—Stuart A. Whittington;
Squire, Sanders & Dempsey L.L.P.

(57) **CLAIM**

The ornamental design for a eyeglass holder, as shown and described.

DESCRIPTION

FIG. 1 is a front, left side and bottom end perspective view of a eyeglass holder showing my inventive design in a closed or clamped position;

FIG. 2 is a front, left side and bottom end perspective view of the holder in an open position;

FIG. 3 is a left side view of the eyeglass holder in the closed position;

FIG. 4 is a right side view thereof;

FIG. 5 is a front plan view thereof;

FIG. 6 is a back plan view thereof;

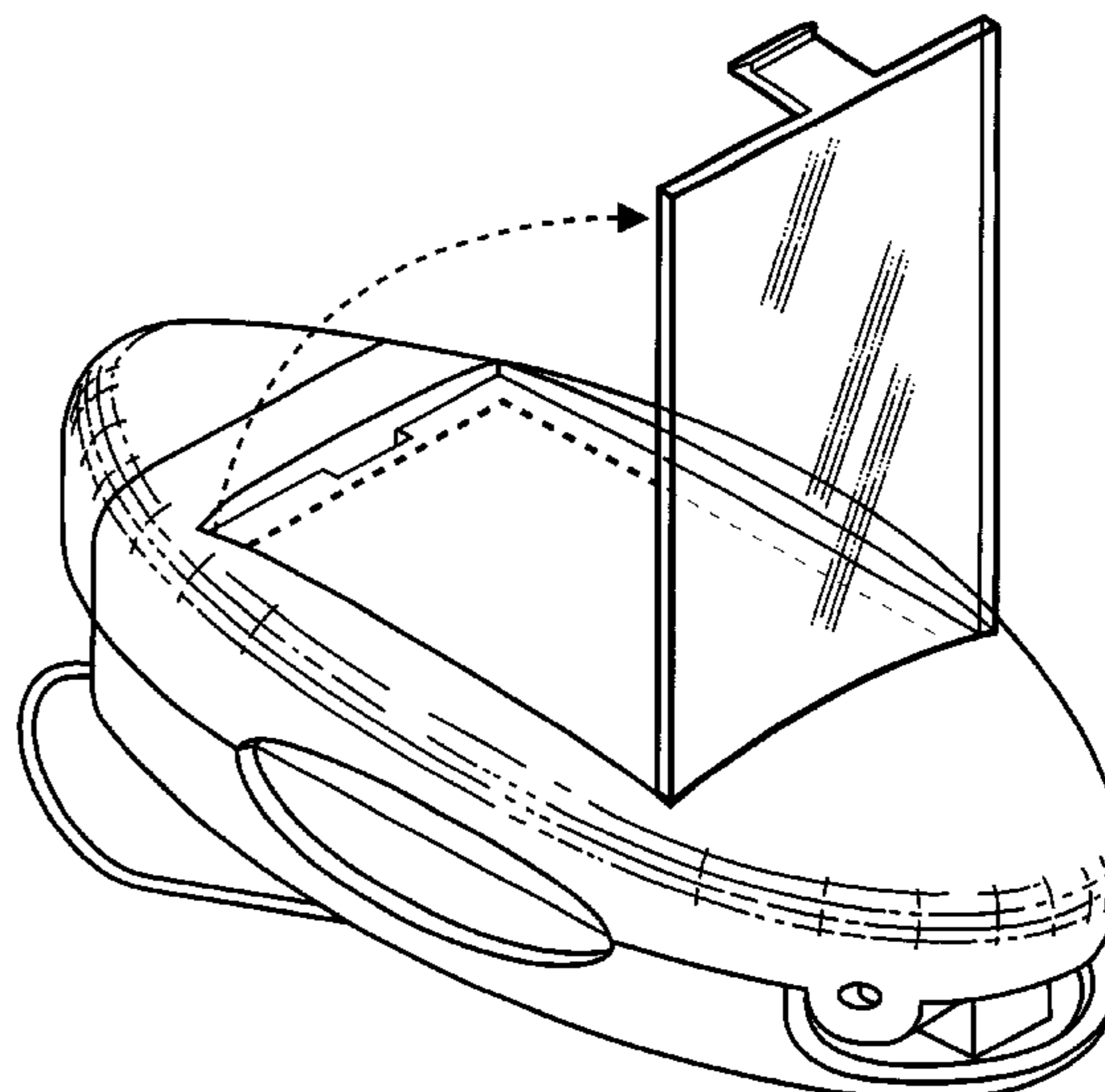
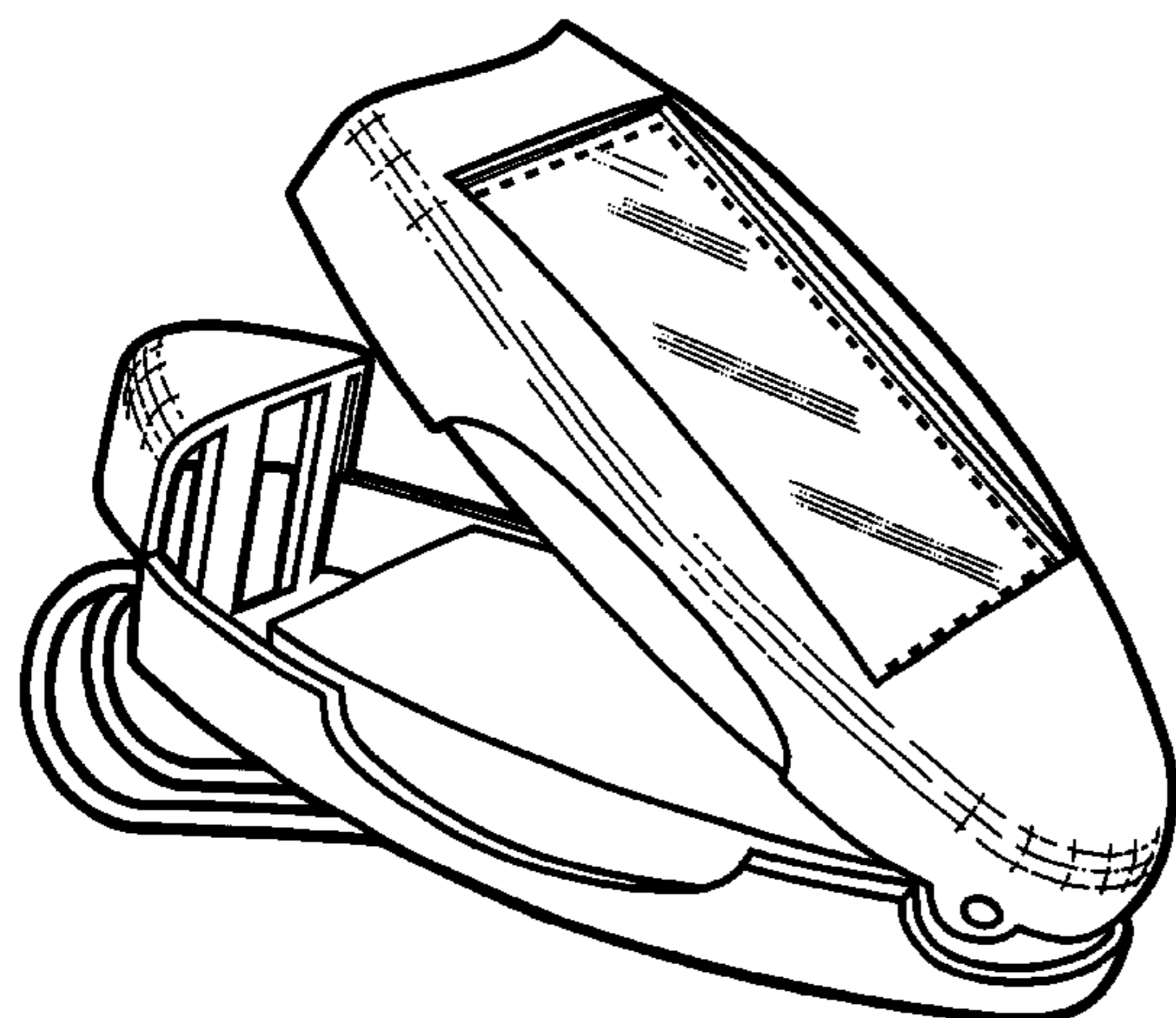
FIG. 7 is a top end view thereof;

FIG. 8 is a bottom end view thereof; and,

FIG. 9 is a front, left side and bottom end thereof showing my inventive design having an insert display panel in an open position.

The broken lines showing an insert are included to illustrate the possible use, and forms no part of the claimed design.

1 Claim, 5 Drawing Sheets



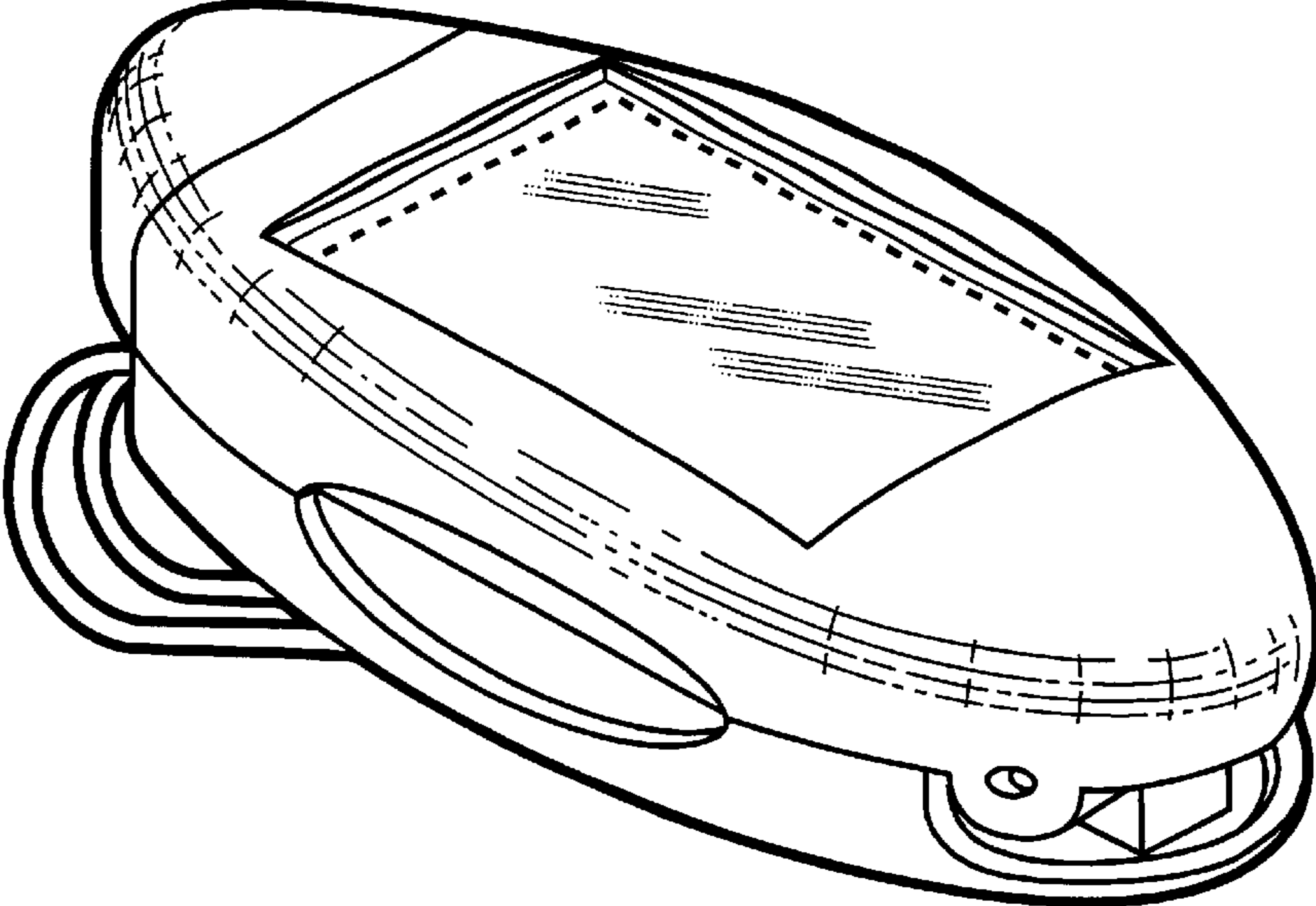


Fig. 1

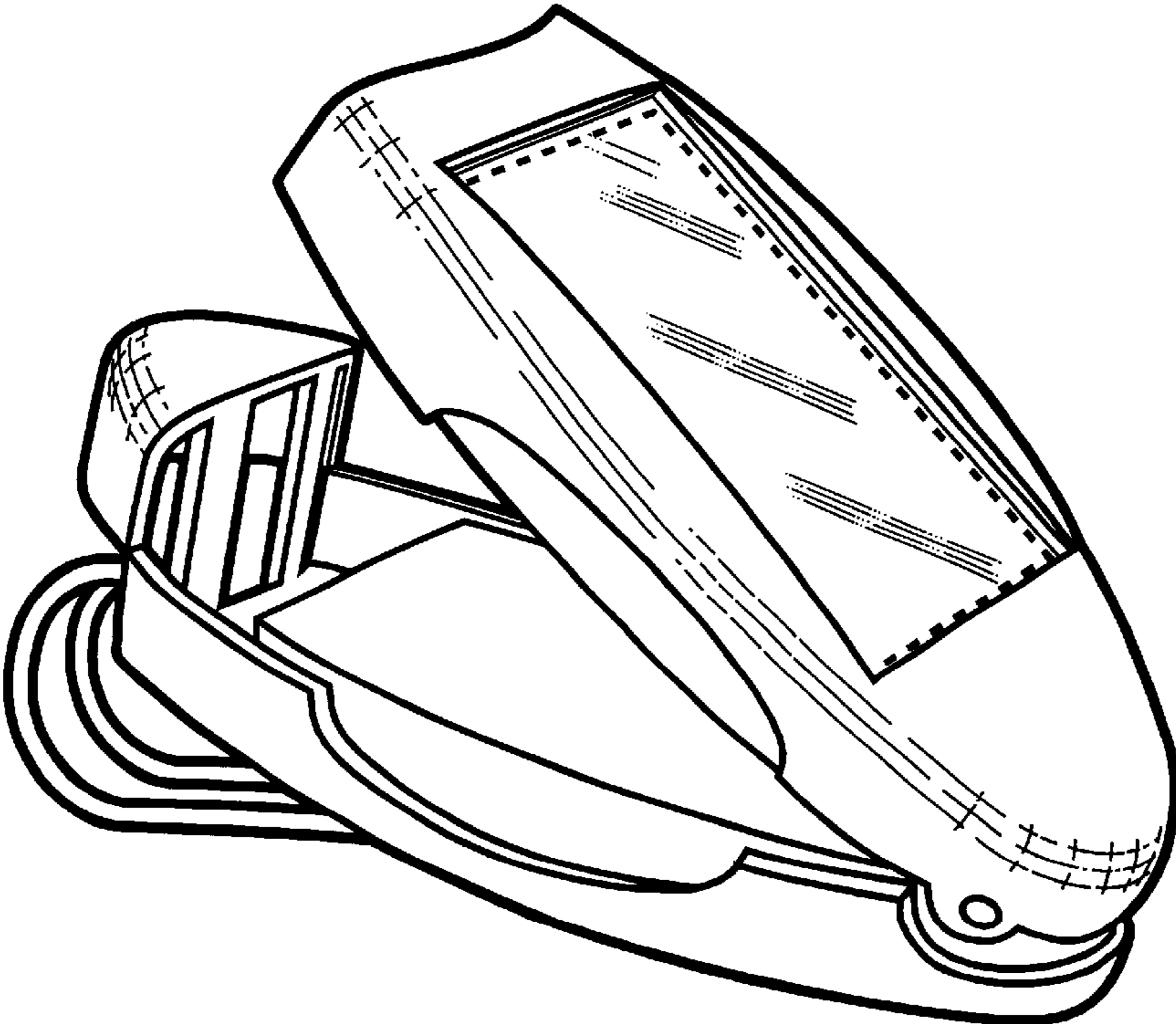


Fig. 2

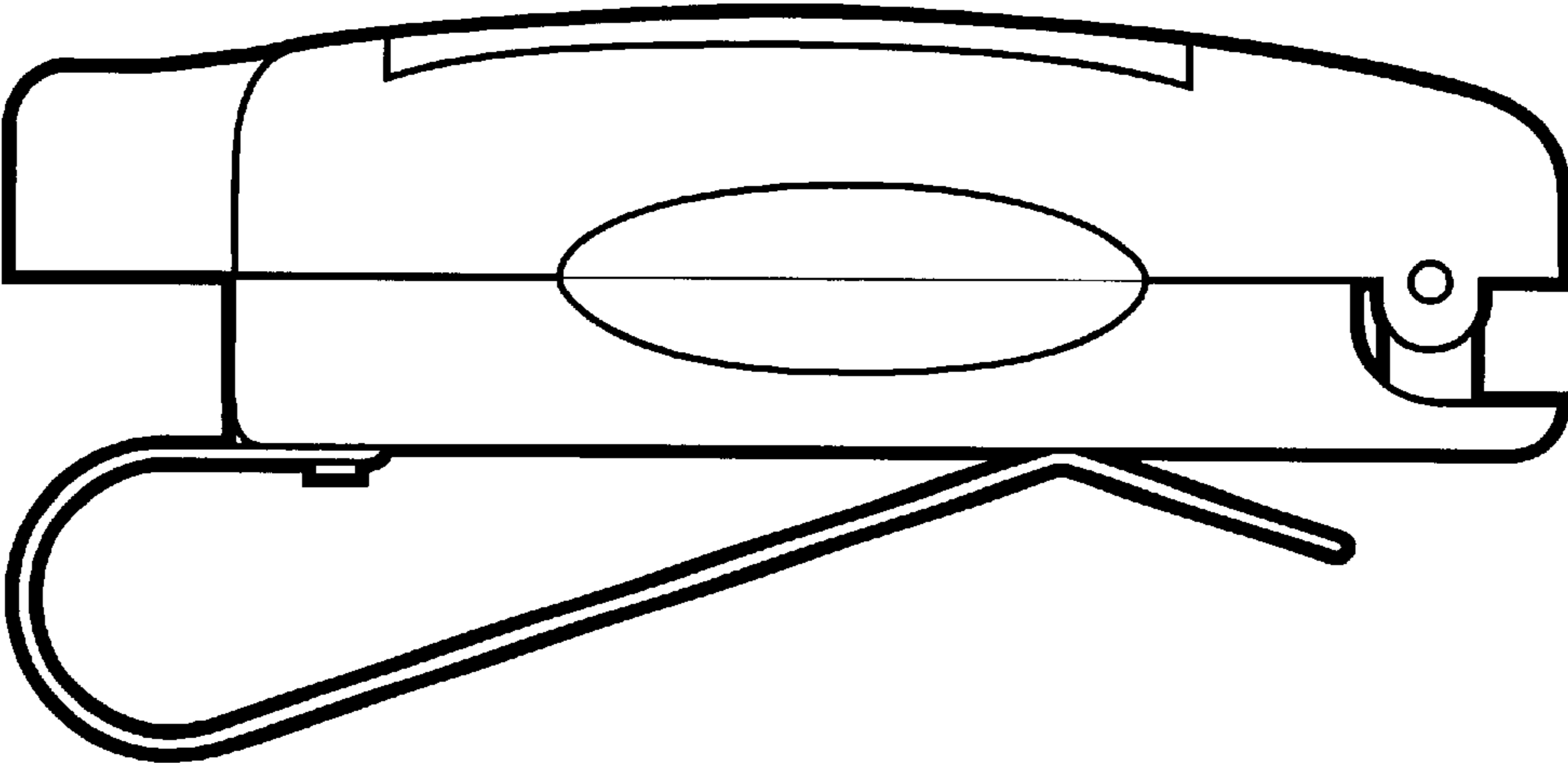


Fig. 3

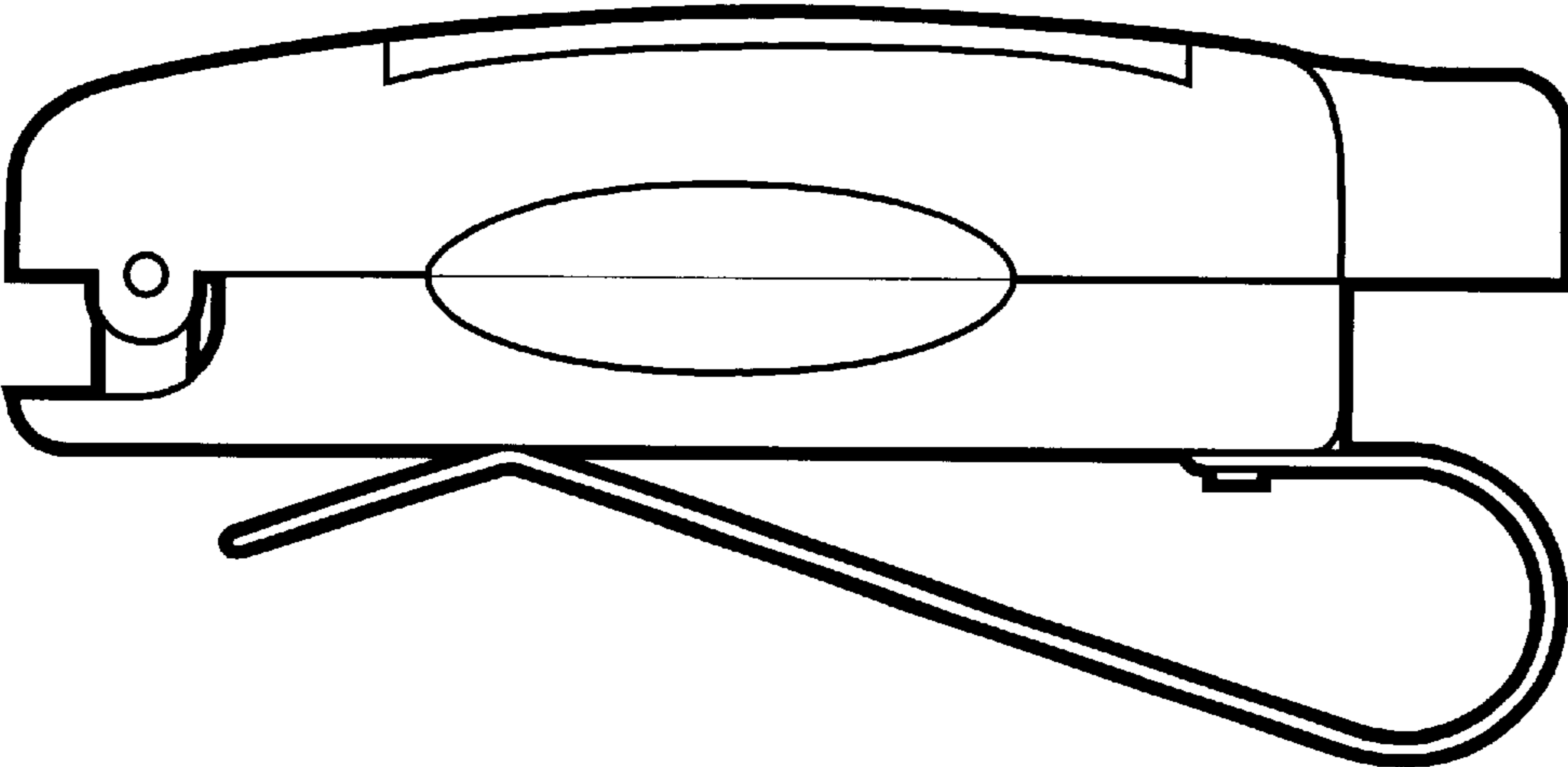


Fig. 4

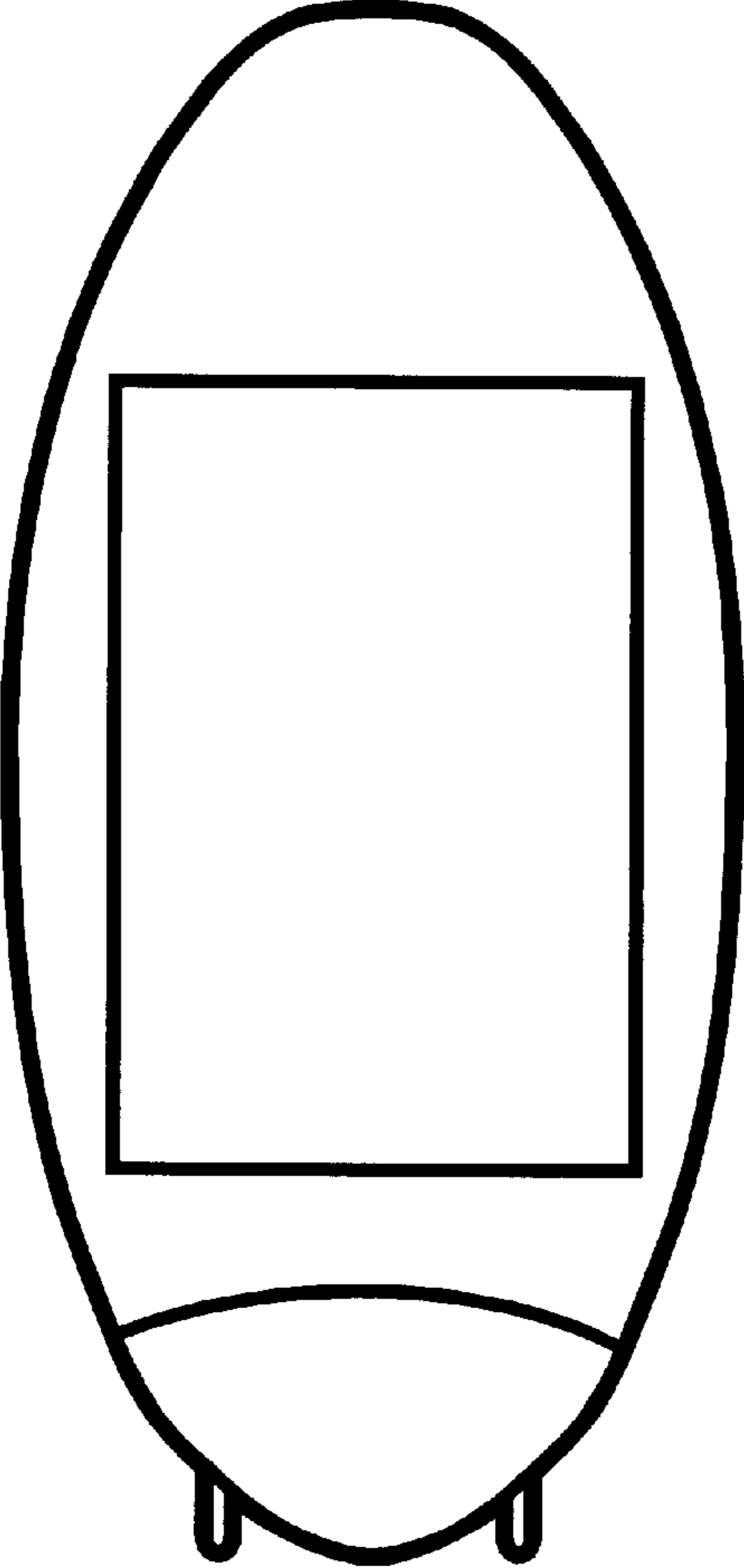


Fig. 5

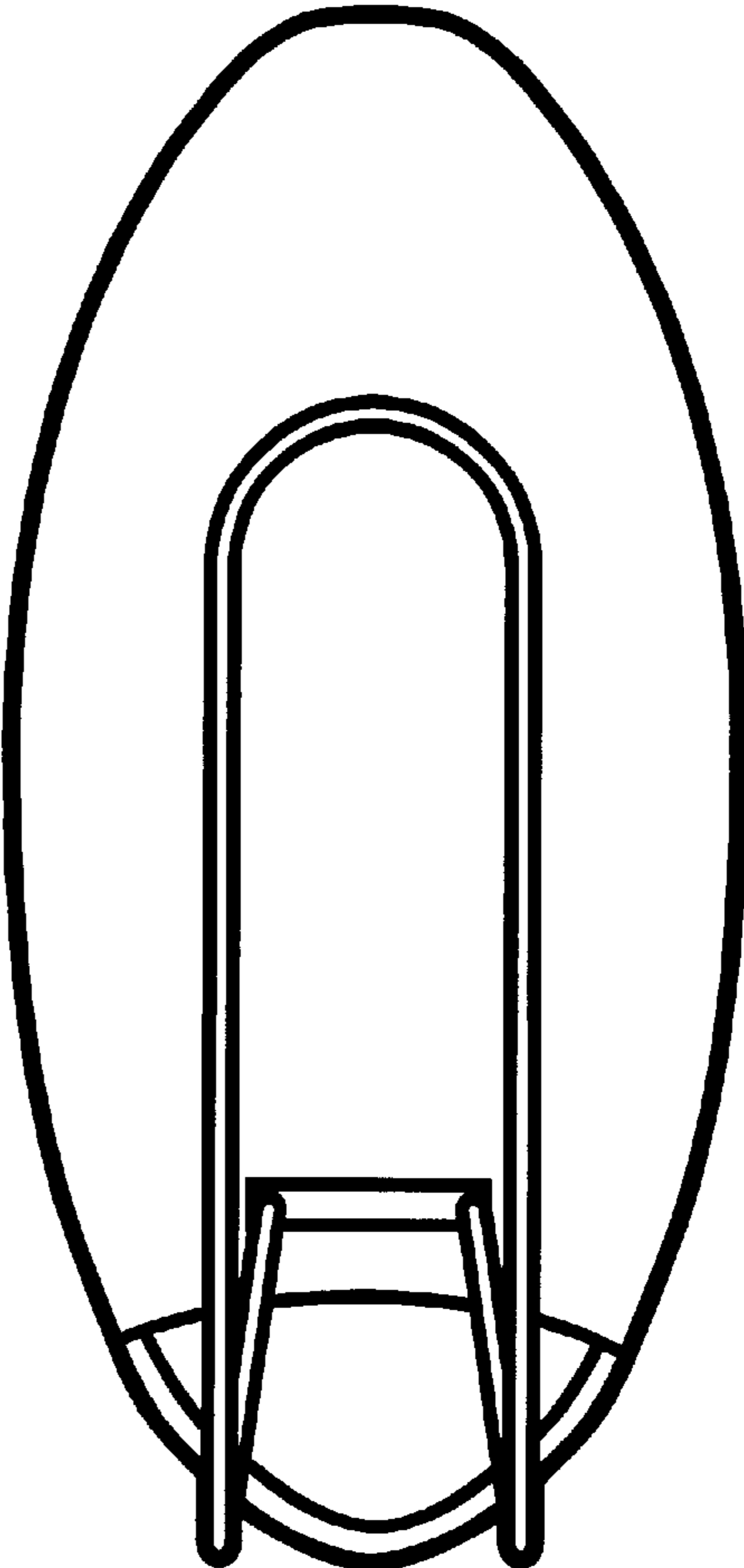


Fig. 6

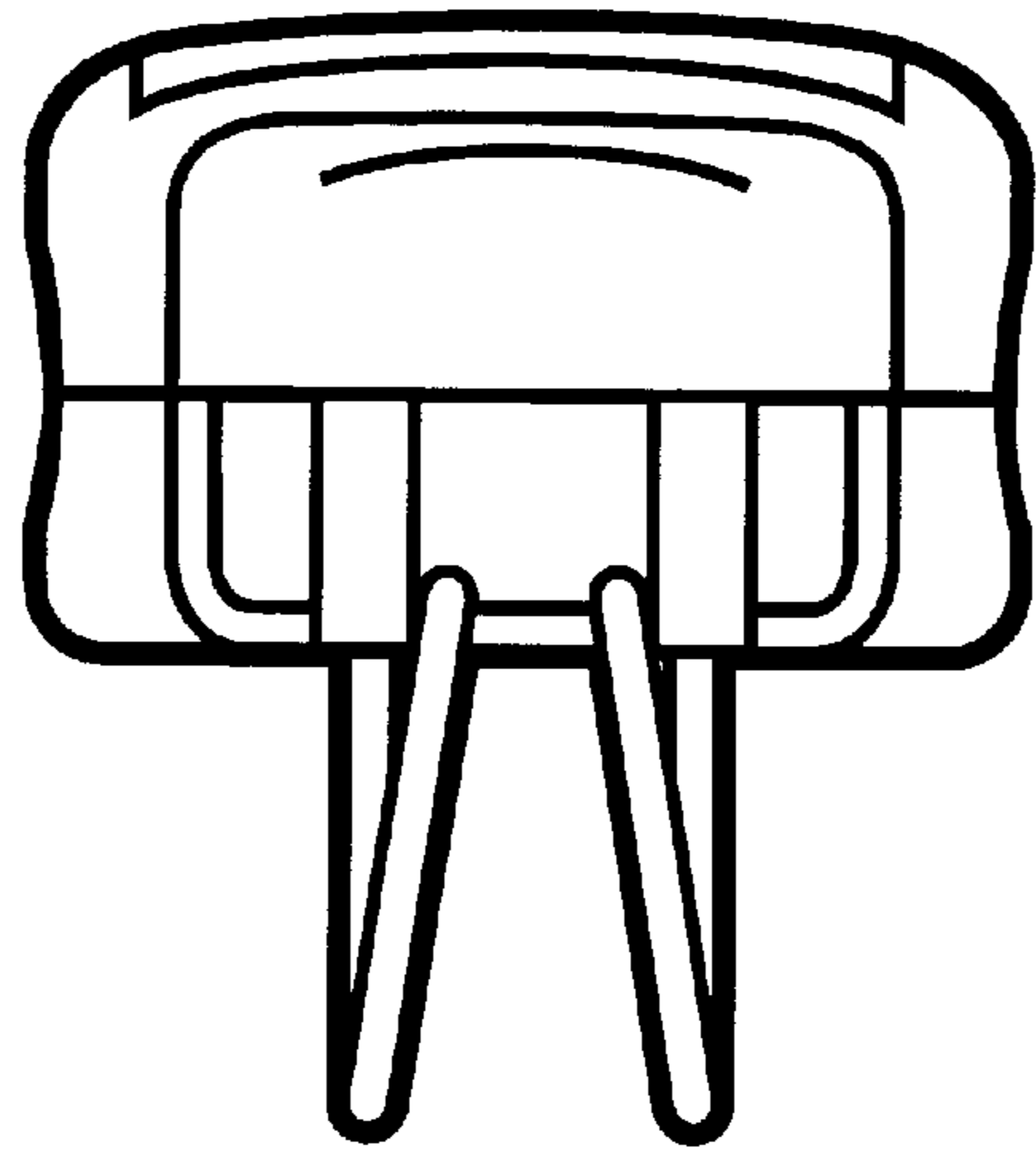


Fig. 7

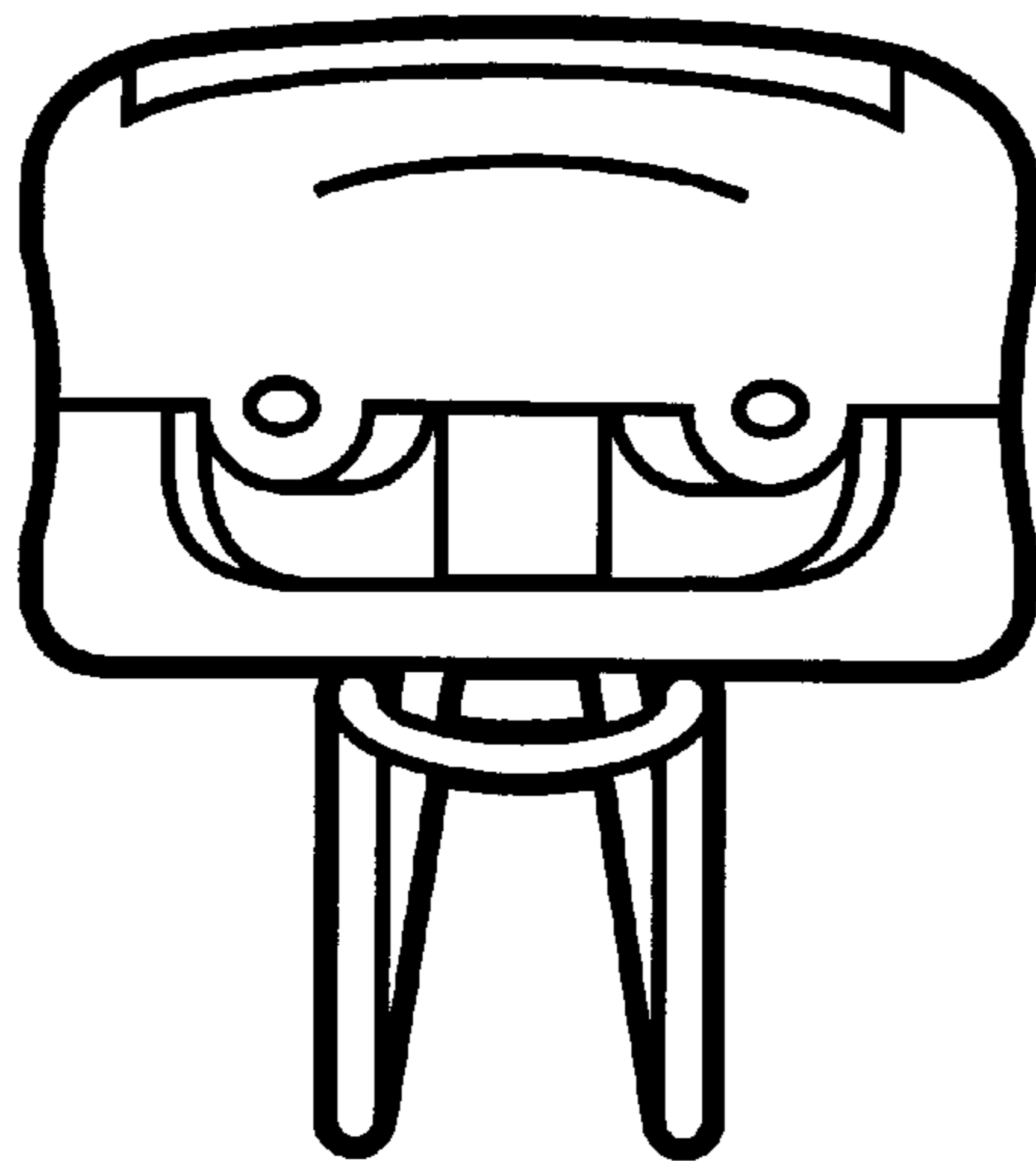


Fig. 8

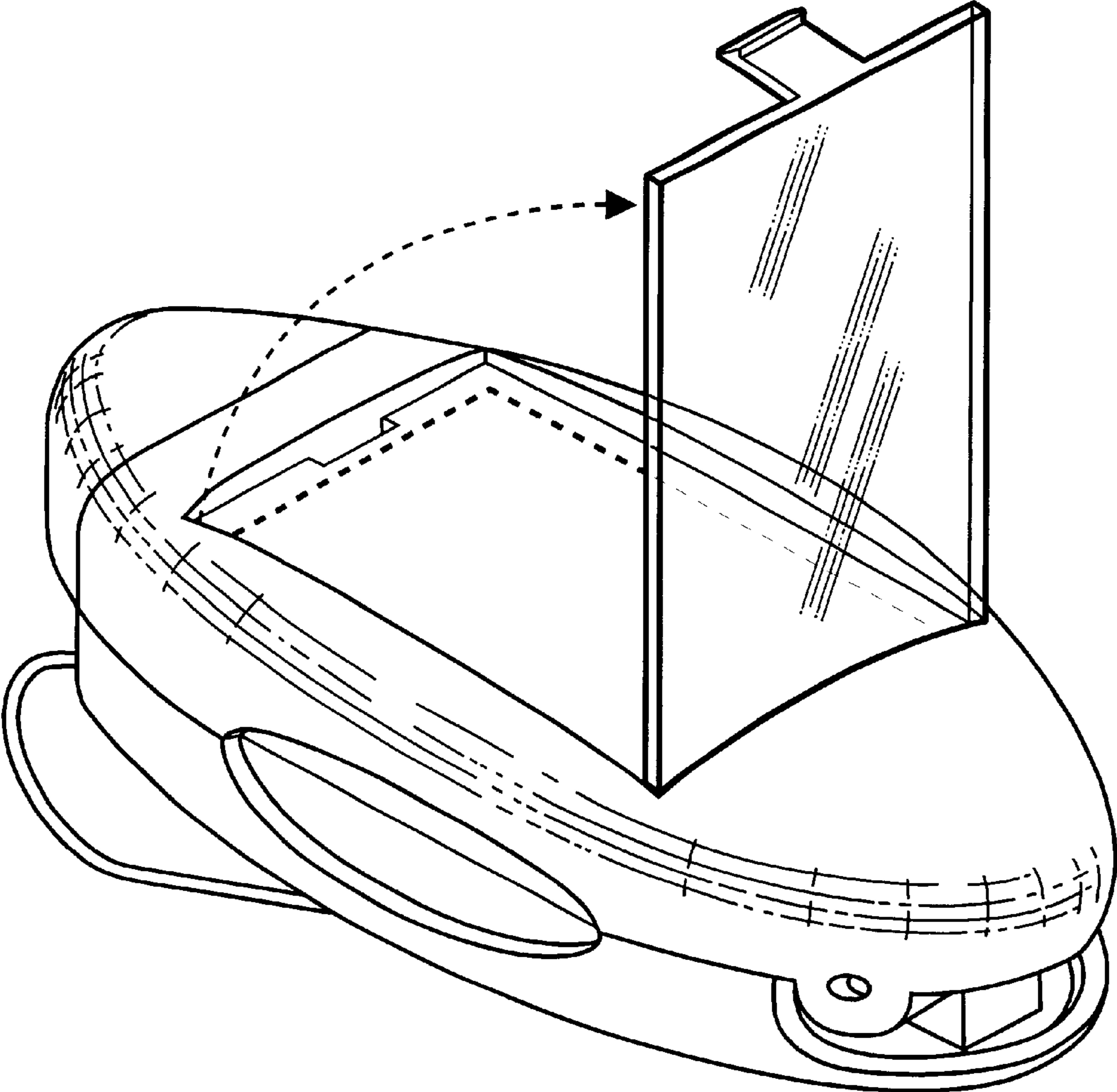


Fig. 9