

US00D509342S

(12) **United States Design Patent**  
**Shiraishi et al.**

(10) **Patent No.:** **US D509,342 S**  
(45) **Date of Patent:** **\*\* Sep. 13, 2005**

(54) **INFANT CARRIER TO HOLD CHILD IN HORIZONTAL POSITION**

(75) Inventors: **Yoshiko Shiraishi, Saitama (JP); Ito Takizawa, Saitama (JP)**

(73) Assignee: **Combi Corporation, Tokyo-To (JP)**

(\*\*) Term: **14 Years**

(21) Appl. No.: **29/203,653**

(22) Filed: **Apr. 19, 2004**

(30) **Foreign Application Priority Data**

Oct. 20, 2003 (JP) ..... 2003-030865

(51) **LOC (8) Cl.** ..... **03-99**

(52) **U.S. Cl.** ..... **D2/213**

(58) **Field of Search** ..... D3/213-215; D6/354;  
2/84, 94; 224/155, 158, 159, 160, 161,  
148.6, 157, 208, 224, 264, 270, 907; 446/28

(56) **References Cited**

**U.S. PATENT DOCUMENTS**

2,551,509 A \* 5/1951 Smith ..... 294/140  
4,717,056 A \* 1/1988 Carmichael ..... 224/158  
4,883,701 A \* 11/1989 Rankin et al. .... 428/136  
5,224,229 A \* 7/1993 Smith ..... 5/655

5,333,769 A \* 8/1994 Skroski ..... 224/158  
5,570,823 A \* 11/1996 Lindy ..... 224/160  
5,573,156 A \* 11/1996 McConnell ..... 224/158  
6,520,391 B2 \* 2/2003 Yen ..... 224/160  
2002/0158094 A1 \* 10/2002 Yen ..... 224/159  
2004/0149790 A1 \* 8/2004 Kassai et al. .... 224/160

\* cited by examiner

*Primary Examiner*—Celia A. Murphy

(74) *Attorney, Agent, or Firm*—Birch, Stewart, Kolasch & Birch, LLP

(57) **CLAIM**

The ornamental design for an infant carrier to hold child in horizontal position, as shown and described.

**DESCRIPTION**

FIG. 1 is a front perspective view of an infant carrier to hold child in horizontal position showing our new design; FIG. 2 is a front elevational view thereof; FIG. 3 is a rear elevational view thereof; FIG. 4 is a right side elevational view thereof; FIG. 5 is a left side elevational view thereof; FIG. 6 is a top plan view thereof; and, FIG. 7 is a bottom plan view thereof.

The broken lines shown on the straps of the carrier in FIGS. 1, 2, 3, and 6 are understood to represent stitching.

**1 Claim, 3 Drawing Sheets**

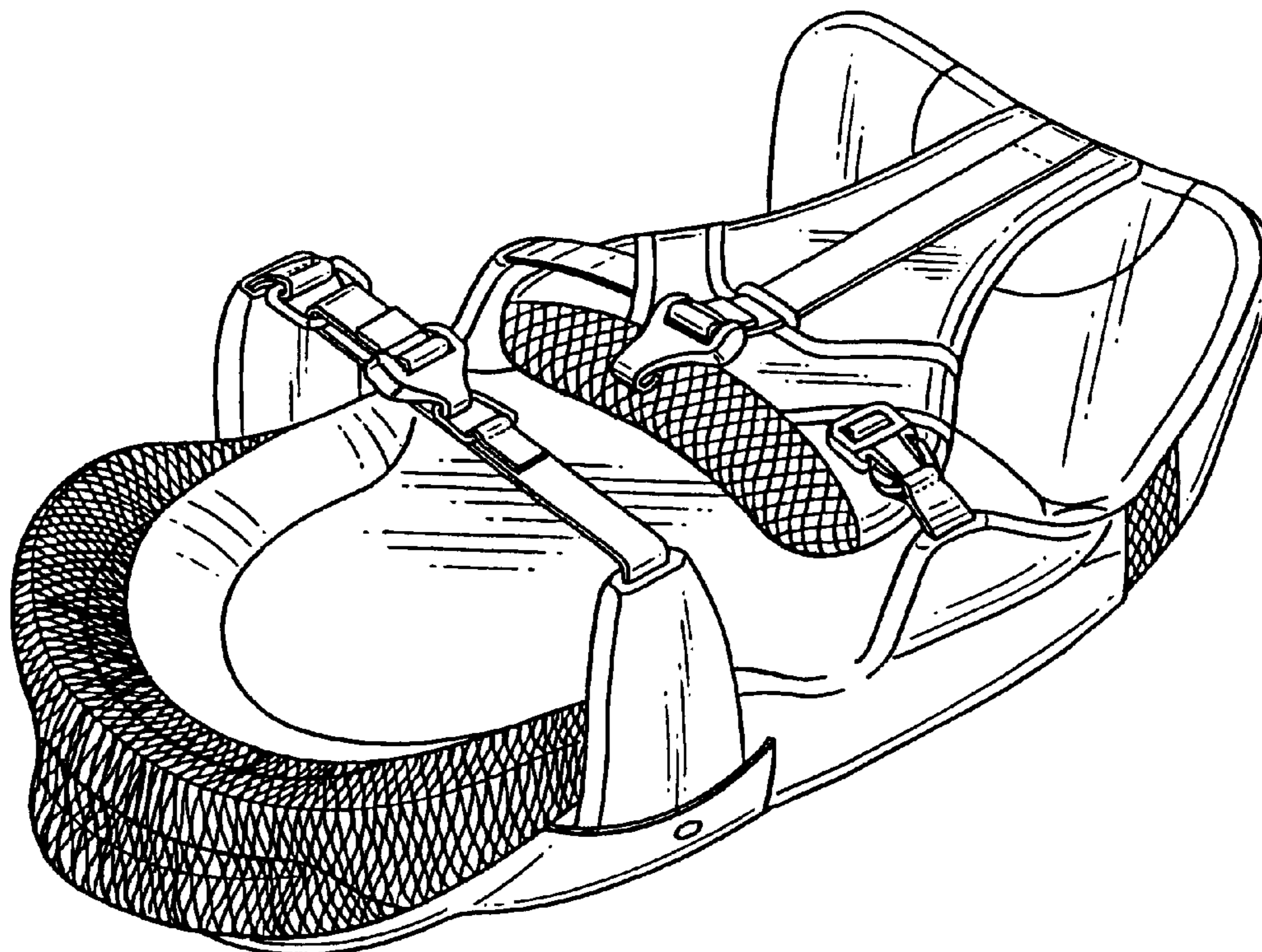


FIG. 1

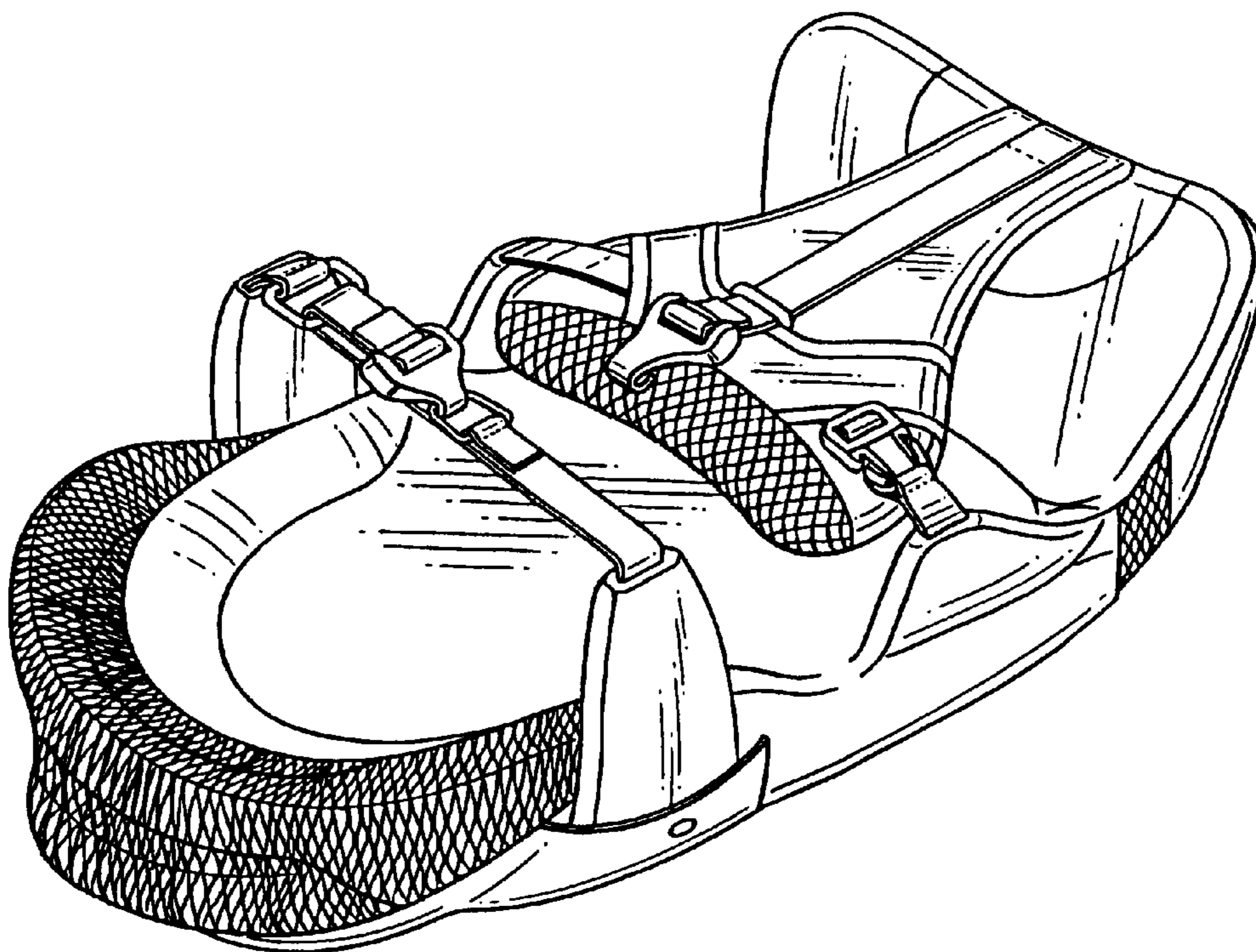


FIG. 2

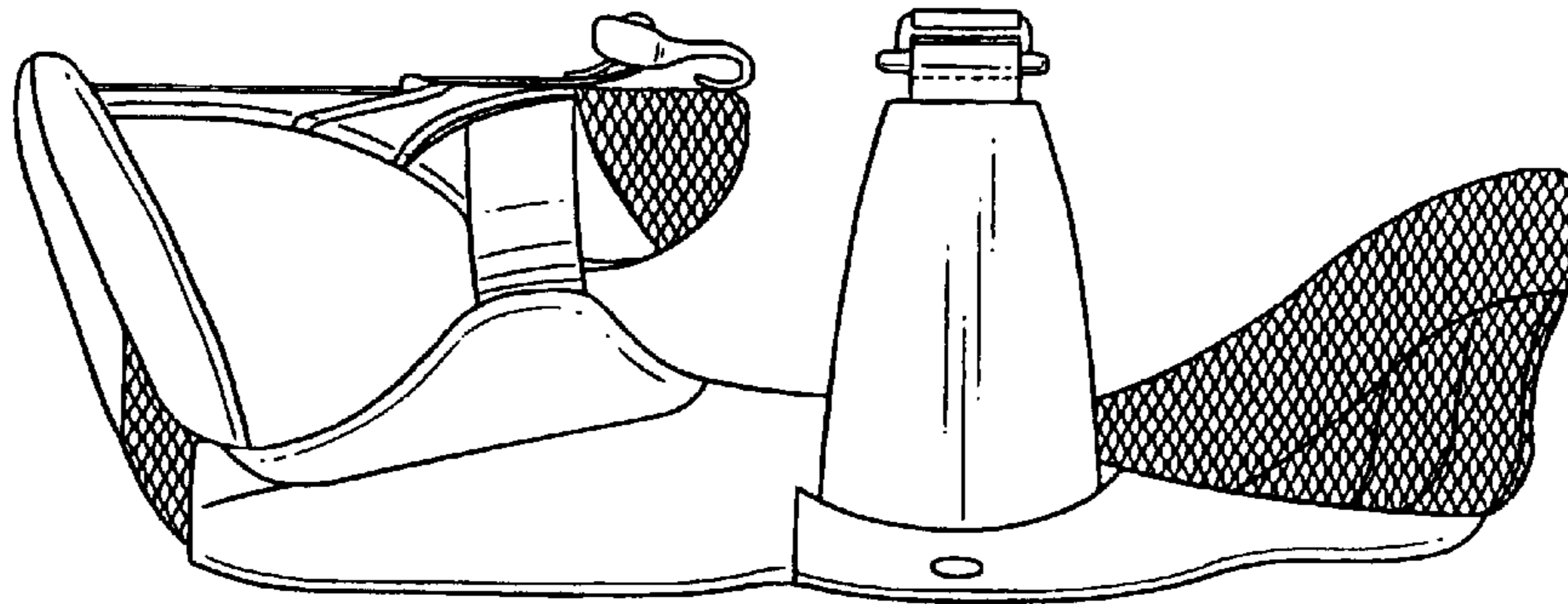


FIG. 3

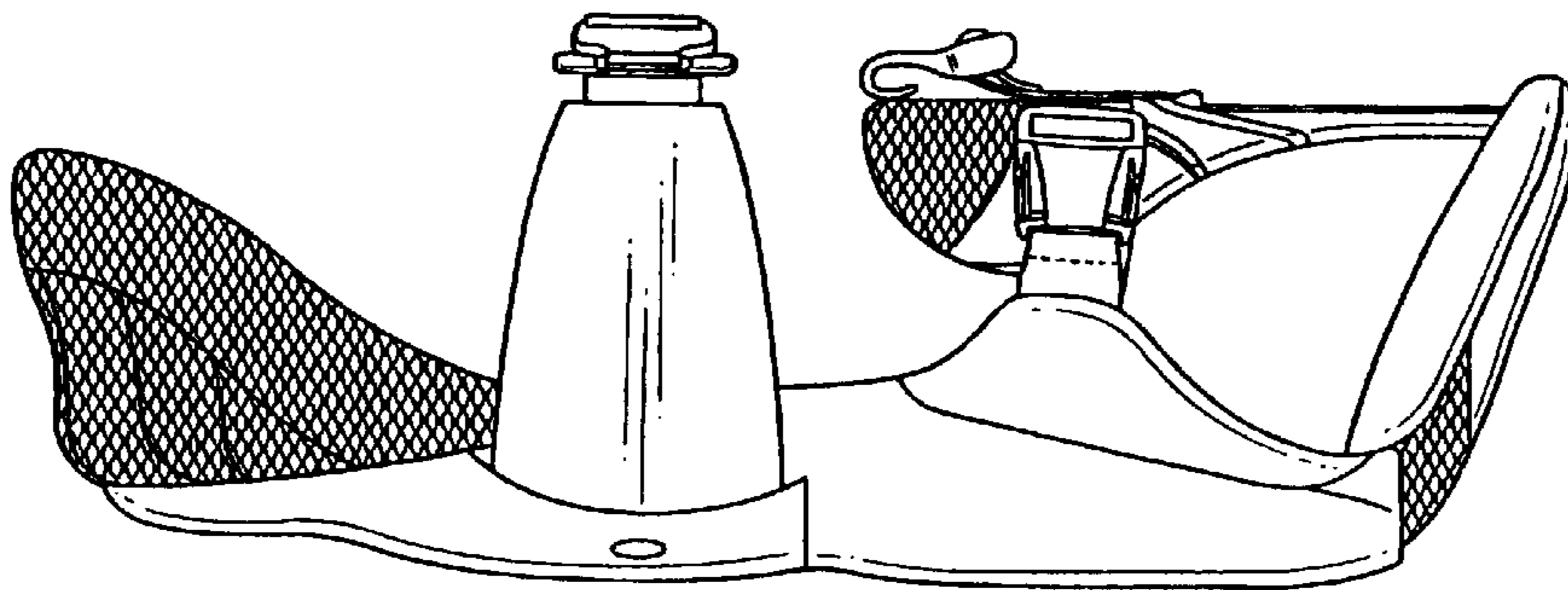


FIG. 4

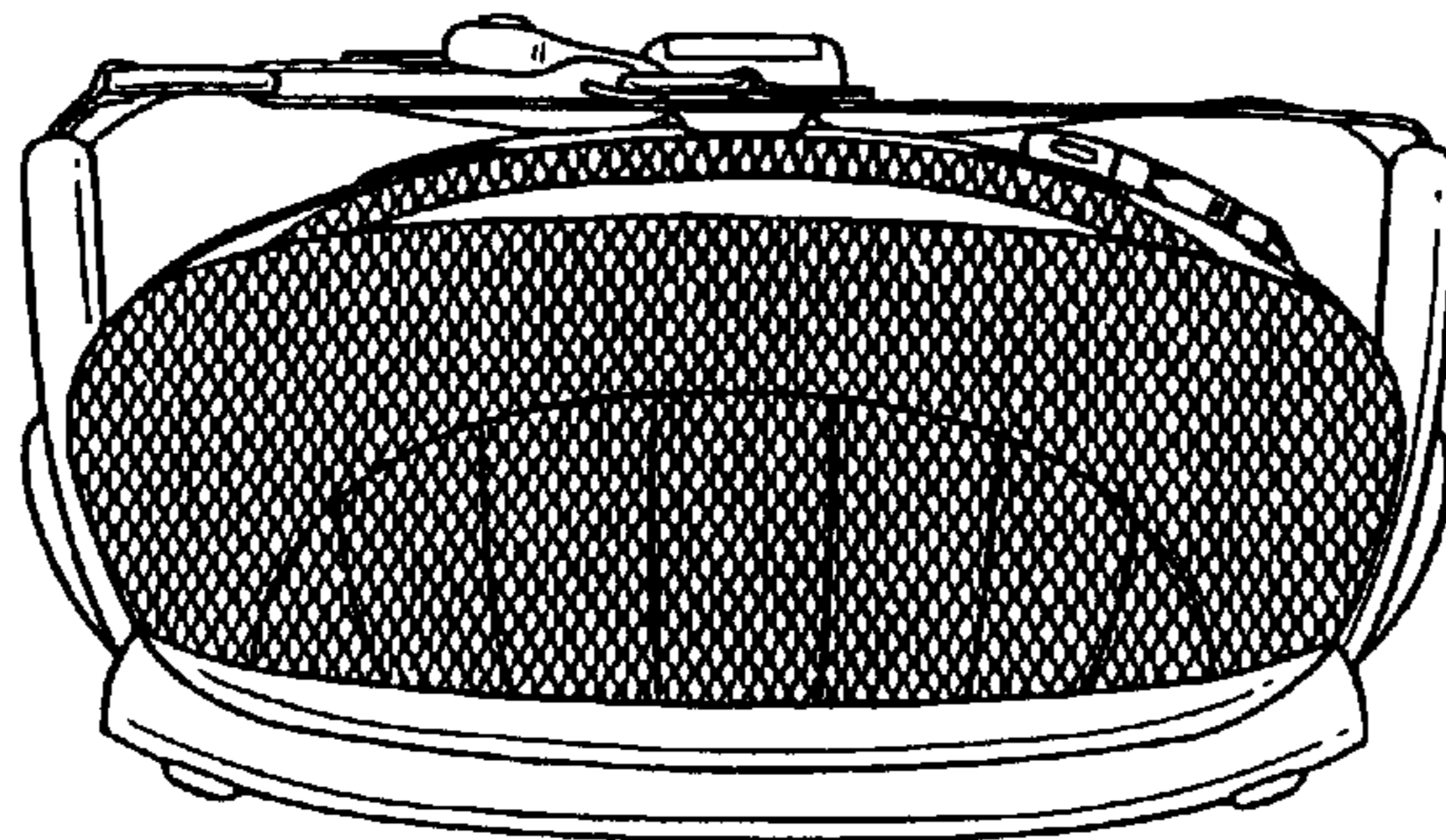


FIG. 5

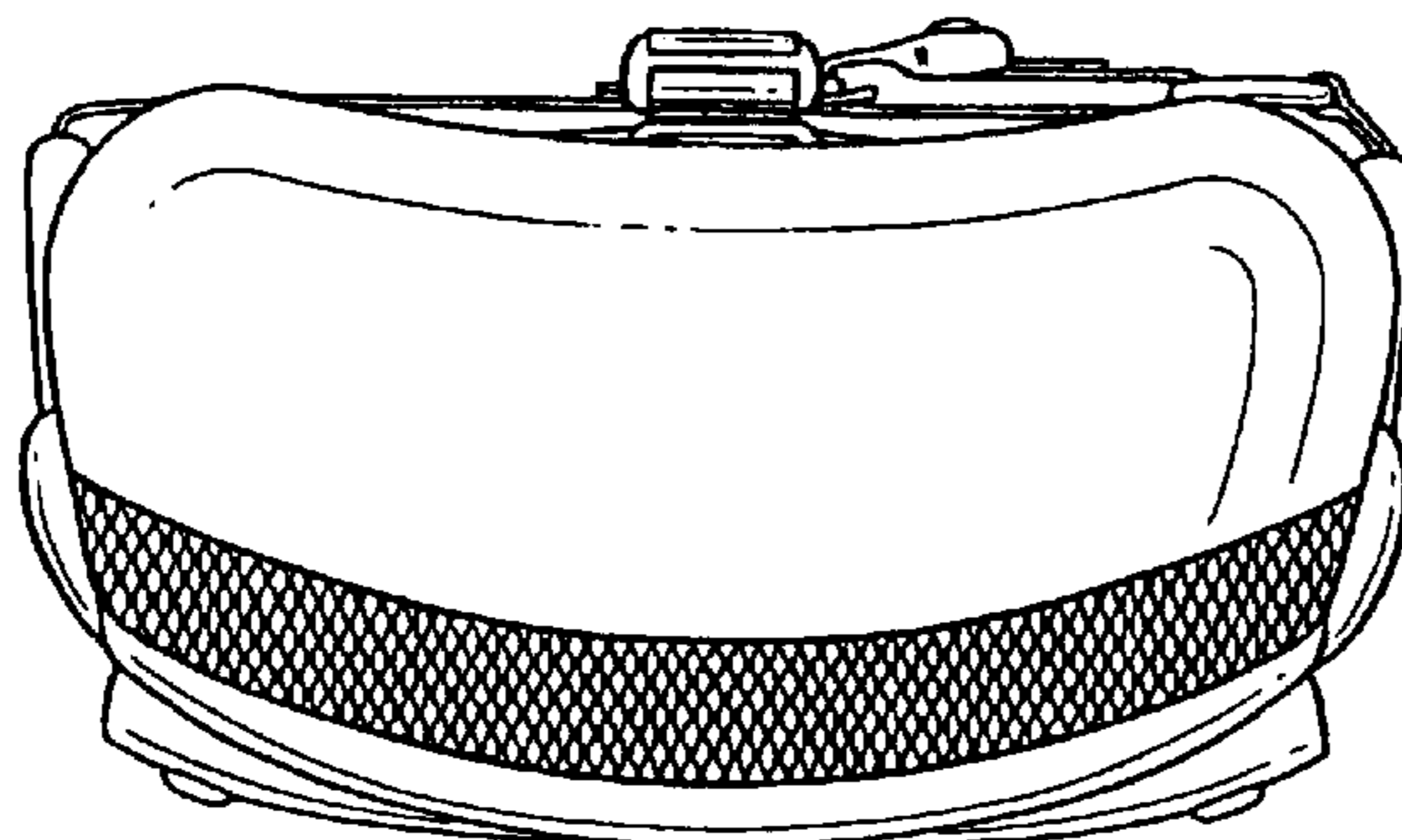




FIG. 6

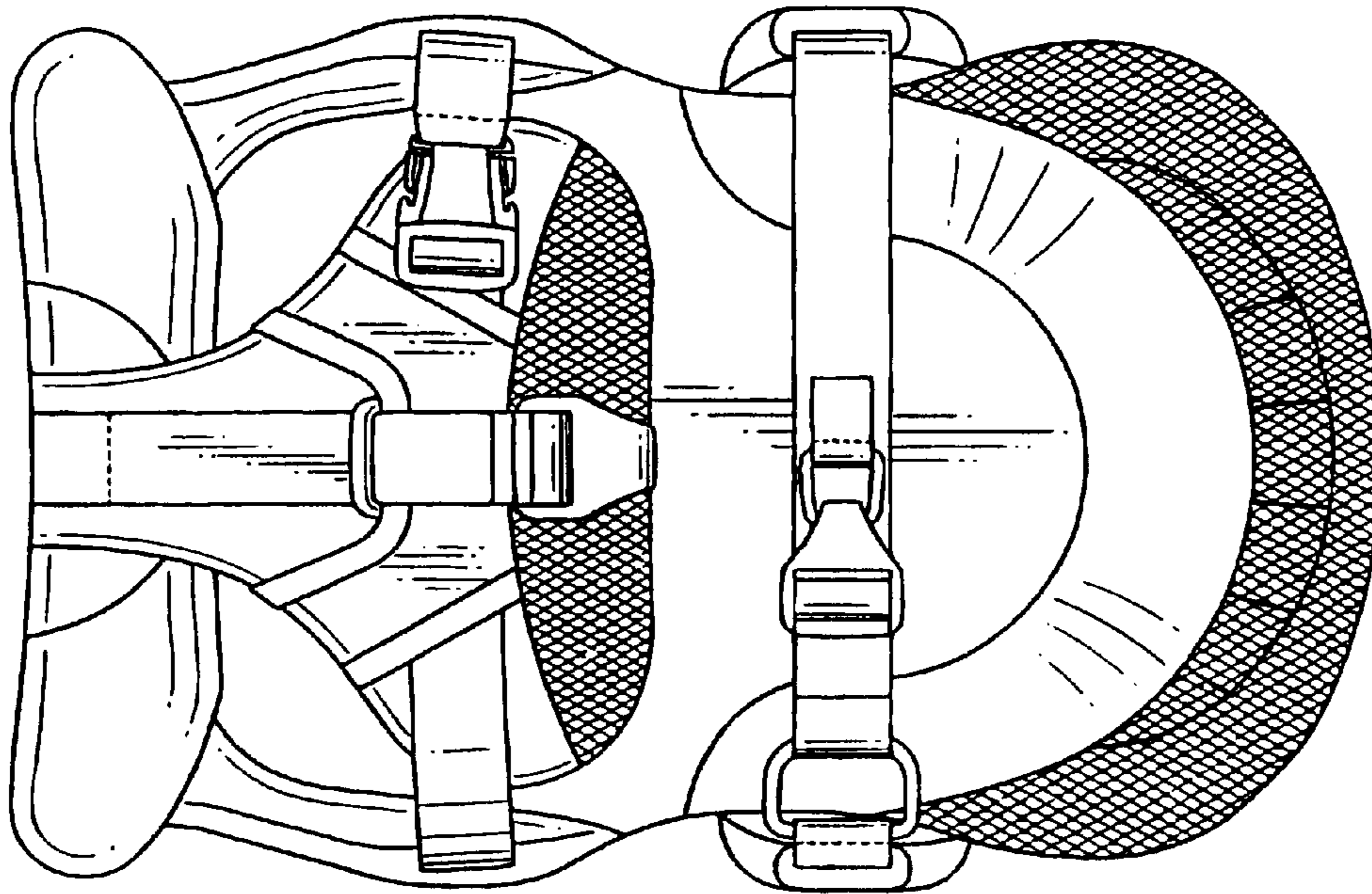


FIG. 7

