

US00D509338S

(12) **United States Design Patent**
Daams

(10) **Patent No.:** **US D509,338 S**

(45) **Date of Patent:** **** Sep. 6, 2005**

(54) **HINGED COVER**

(75) **Inventor:** **Rudy C. H. Daams, Eindhoven (NL)**

(73) **Assignee:** **Brabantia Nederland BV, Waalre (NL)**

(**) **Term:** **14 Years**

(21) **Appl. No.:** **29/172,554**

(22) **Filed:** **Dec. 13, 2002**

(51) **LOC (8) Cl. 09-09**

(52) **U.S. Cl. D34/11**

(58) **Field of Search** D31/1, 7, 8, 9,
D31/10, 11; 220/810, 811, 812, 345.1, 253,
263, 259.1, 908

(56) **References Cited**

U.S. PATENT DOCUMENTS

D233,125 S * 10/1974 Hawk D32/37
3,994,415 A * 11/1976 Hodge 220/815
4,014,457 A * 3/1977 Hodge 220/812

4,098,429 A * 7/1978 Hodge 220/817

4,148,411 A * 4/1979 Hodge et al. 220/815

D308,742 S * 6/1990 Bulkens D34/11

5,111,958 A * 5/1992 Witthoef 220/524

6,024,238 A * 2/2000 Jaros 220/264

D461,291 S * 8/2002 Kaminski et al. D34/11

* cited by examiner

Primary Examiner—Cynthia E. Ramirez

(74) *Attorney, Agent, or Firm*—Abelman, Frayne & Schwab

(57) **CLAIM**

The ornamental design for a hinged cover, as shown.

DESCRIPTION

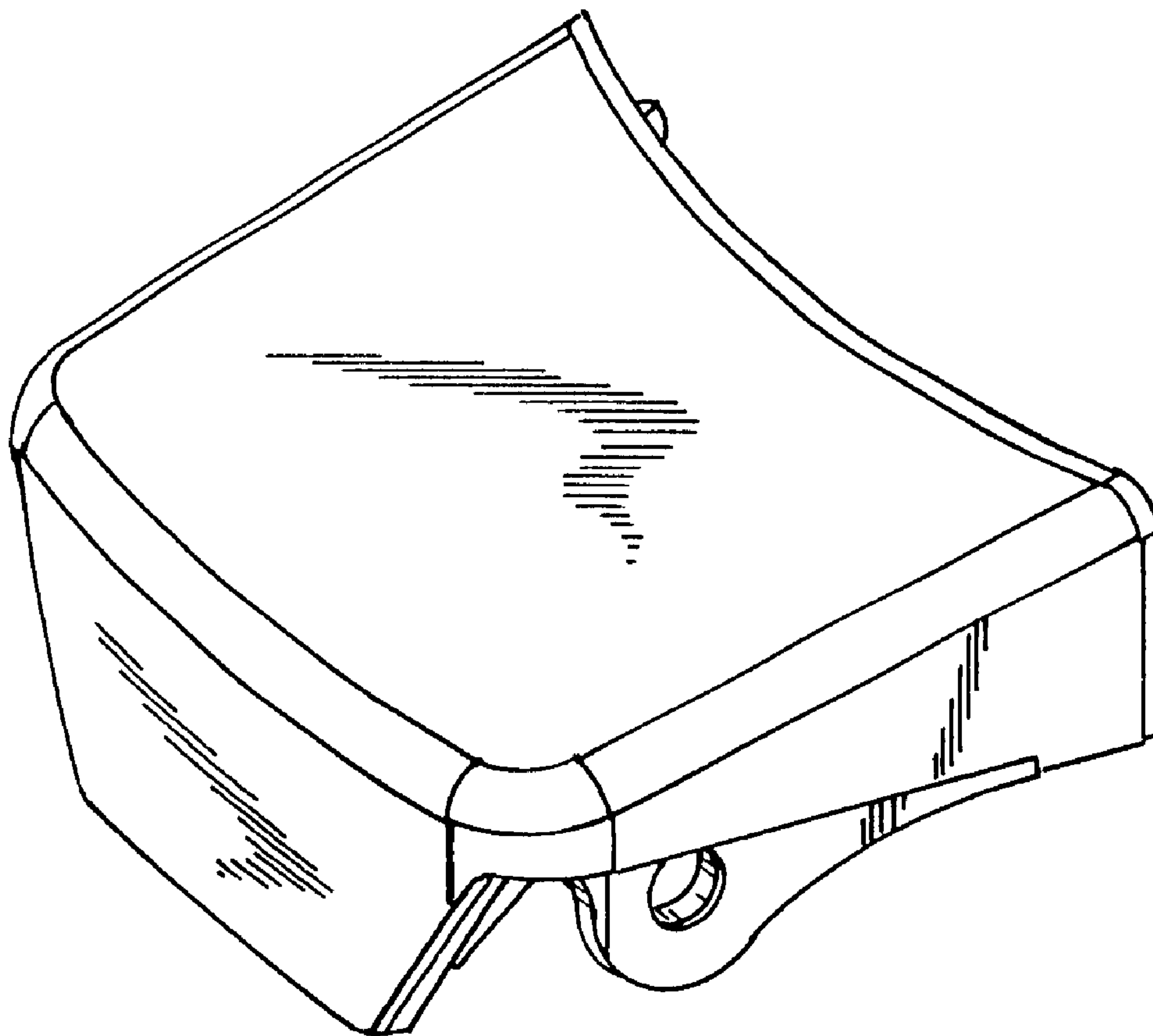
FIG. 1 shows a top front side perspective view of a hinged cover showing my new design;

FIG. 2 shows a side elevation view thereof;

FIG. 3 shows a top plan view thereof; and,

FIG. 4 shows a front elevation view thereof.

1 Claim, 1 Drawing Sheet



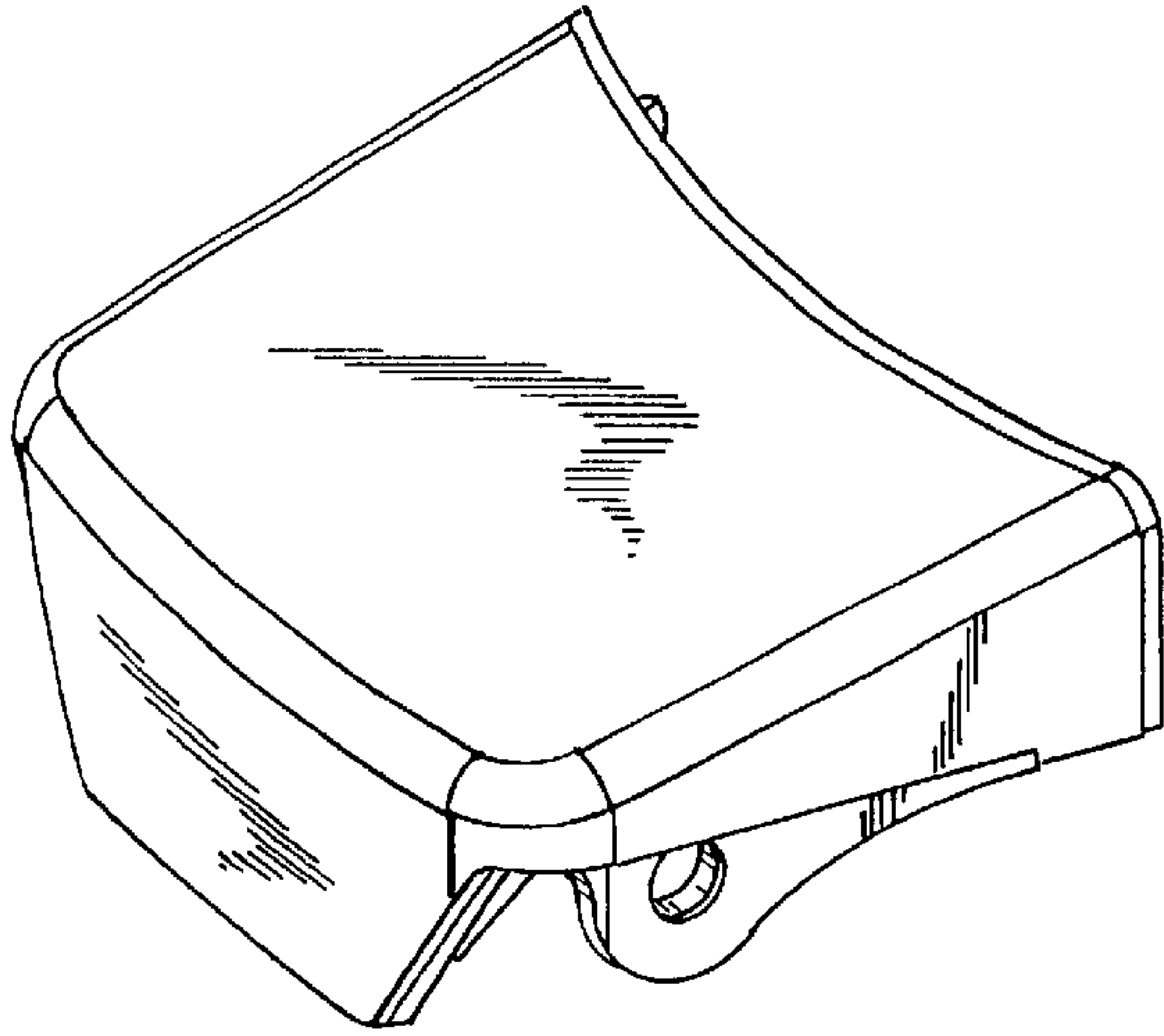


FIG. 1

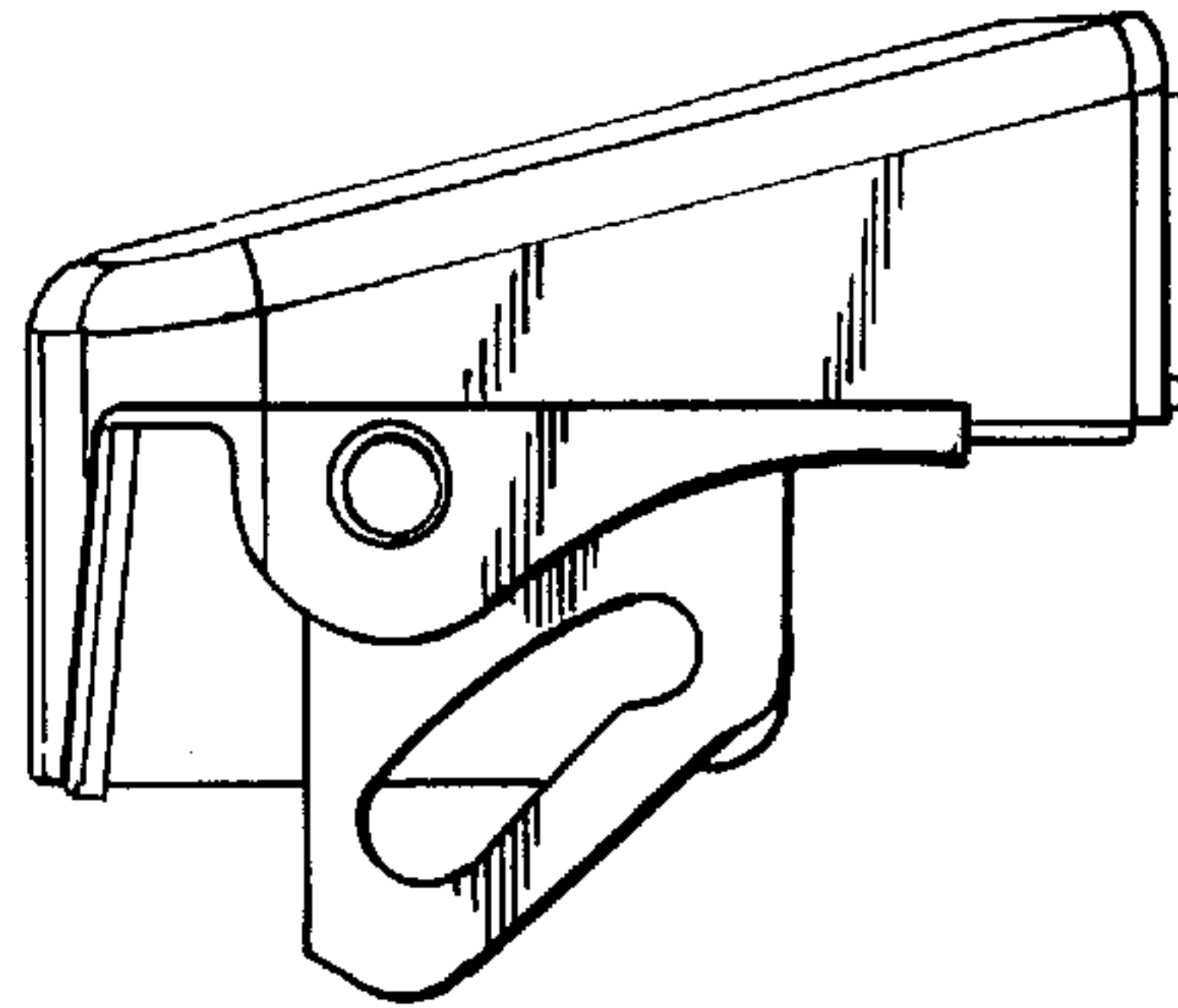


FIG. 2

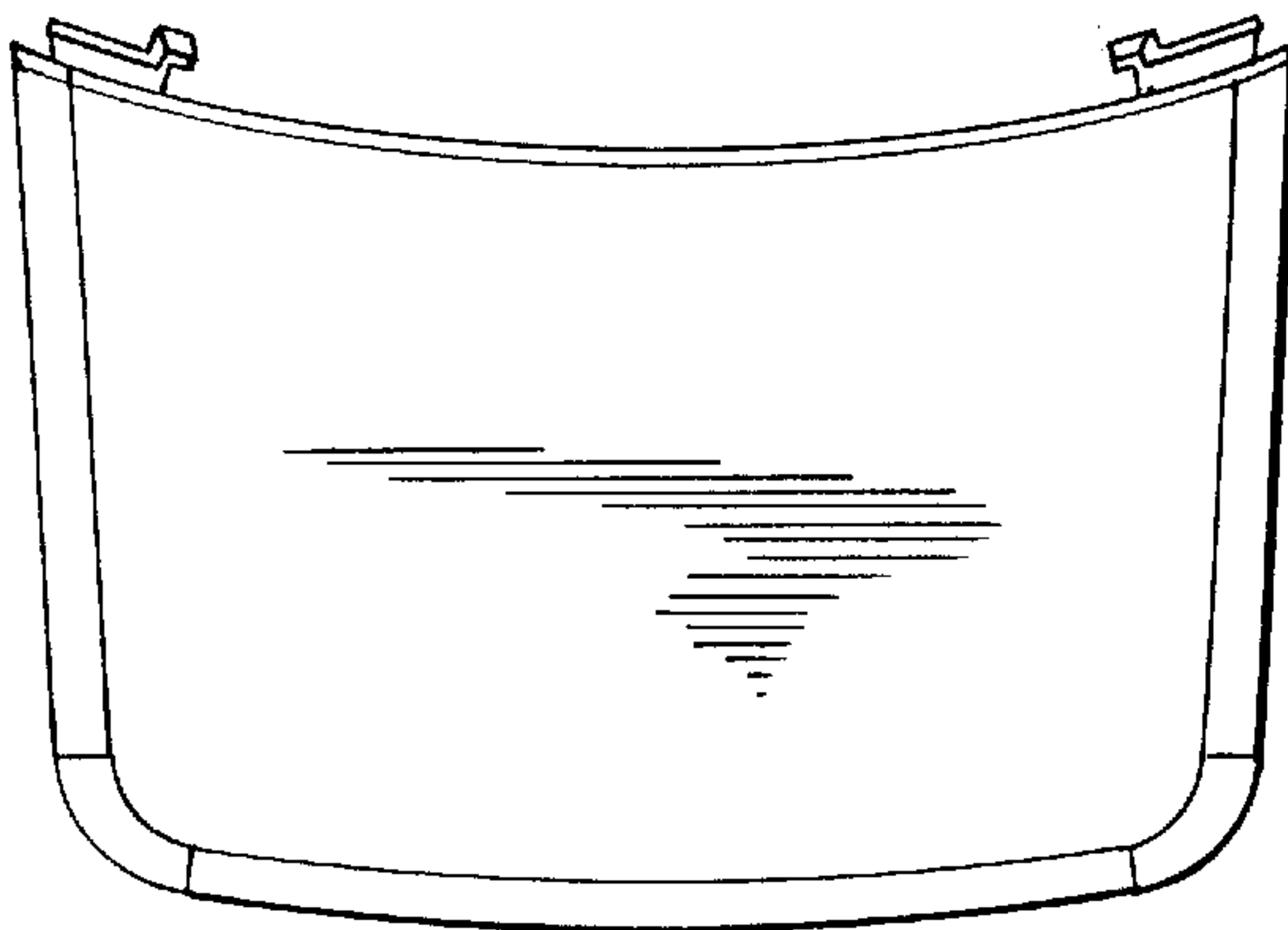


FIG. 3

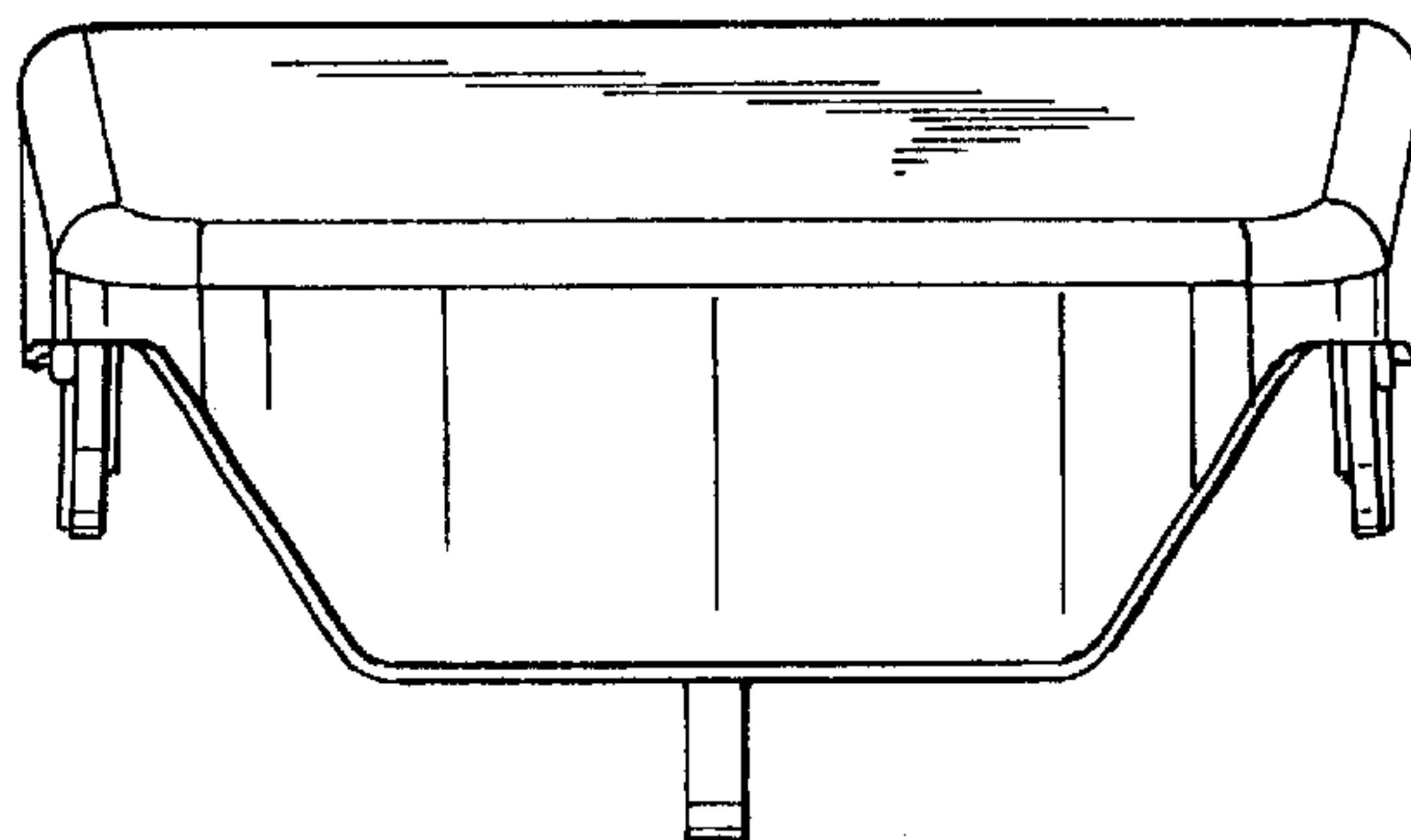


FIG. 4