

US00D509335S

(12) **United States Design Patent** (10) **Patent No.:** **US D509,335 S**
Tuduri (45) **Date of Patent:** **** Sep. 6, 2005**

- | | | | |
|---|------------|----------|-------------------------|
| (54) REFUSE CONTAINER BODY | D355,741 S | 2/1995 | Craft et al. |
| | D365,428 S | 12/1995 | Prout et al. |
| (75) Inventor: Gerard Tuduri, La Touche (FR) | D398,120 S | 9/1998 | Rehrig et al. |
| | D416,367 S | 11/1999 | Dickinson et al. |
| (73) Assignee: Zarn LLC, Charlotte, NC (US) | D445,228 S | 7/2001 | Apps et al. |
| (**) Term: 14 Years | D471,336 S | * 3/2003 | Tuduri D34/5 |
| | D474,317 S | * 5/2003 | Tuduri D34/1 |
| (21) Appl. No.: 29/186,098 | D476,125 S | * 6/2003 | Chen D34/5 |
| | D478,197 S | * 8/2003 | Raghunathan D34/5 |
| (22) Filed: Jul. 9, 2003 | D491,328 S | * 6/2004 | Aiken et al. D34/5 |

* cited by examiner

Related U.S. Application Data

- (63) Continuation of application No. 29/172,335, filed on Dec. 10, 2002, now abandoned, which is a continuation-in-part of application No. 29/145,298, filed on Jul. 19, 2001, now abandoned.
- (51) **LOC (8) Cl.** **09-09**
- (52) **U.S. Cl.** **D34/5**
- (58) **Field of Search** D34/1, 5, 6, 7, D34/8, 9, 10, 11; 220/908-911, 675; 280/47.26

References Cited

U.S. PATENT DOCUMENTS

D231,184 S	4/1974	Brown et al.
D270,675 S	9/1983	Parker
D280,459 S	9/1985	McClelland
D291,738 S	9/1987	Orlowski
D291,739 S	9/1987	Orlowski
D292,638 S	11/1987	Carville
4,930,649 A	6/1990	Moser
D313,491 S	1/1991	Edelhoff et al.
D324,595 S	3/1992	Beese et al.
D343,490 S	1/1994	Ramsey
D345,837 S	4/1994	Bean
D347,095 S	5/1994	Apps et al.

Primary Examiner—Cynthia E. Ramirez

(74) *Attorney, Agent, or Firm*—Alston & Bird LLP

(57) **CLAIM**

The ornamental design for a refuse container body, as shown and described.

DESCRIPTION

FIG. 1 is a rear view of the refuse container body of the invention with ground contacting wheels shown in phantom lines;

FIG. 2 is a left side view of the container body shown in FIG. 1 with a lid and ground contacting wheels shown in phantom lines. The right side of the container body is a mirror image of the left side;

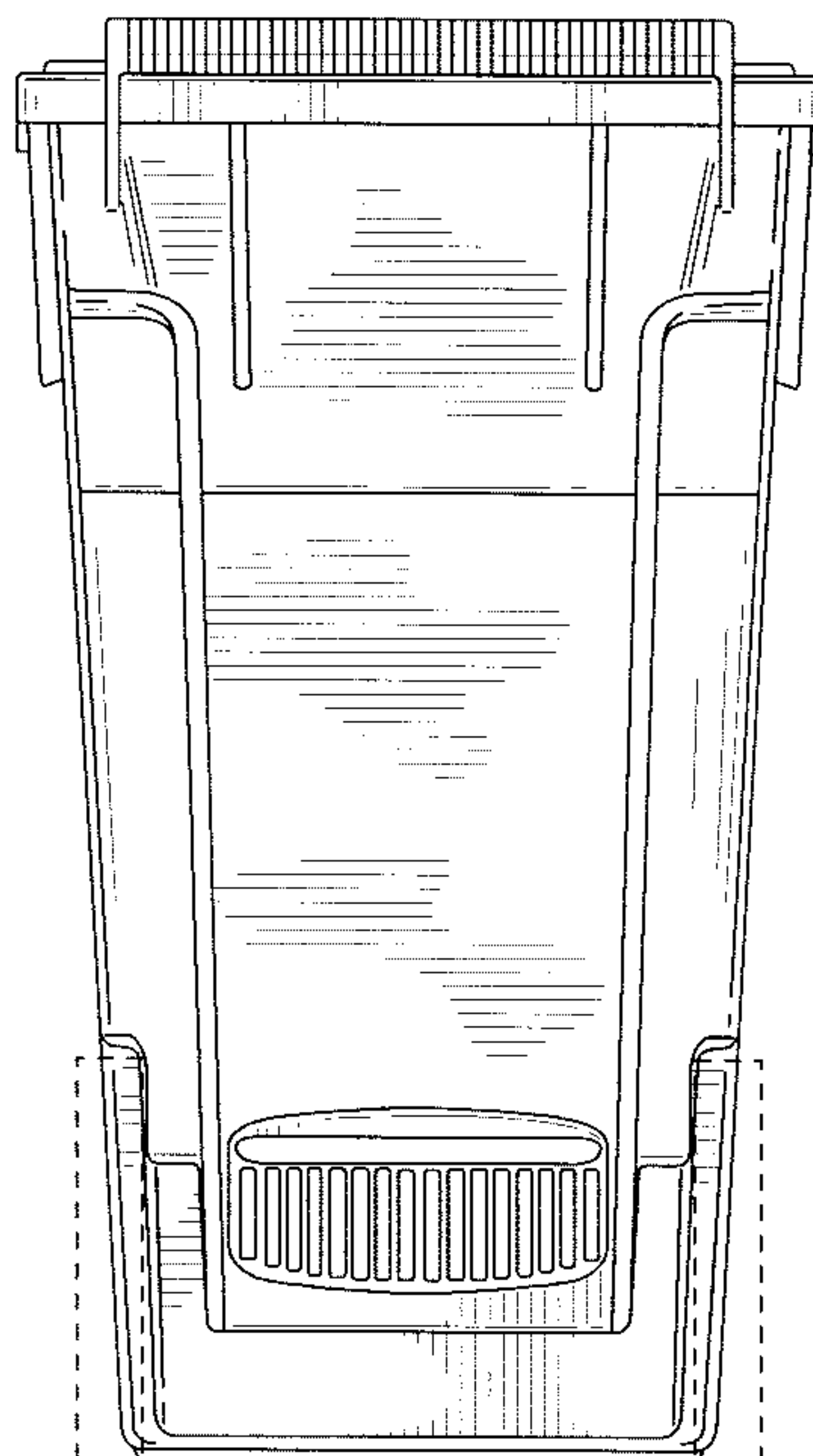
FIG. 3 is a front end view of the exemplary container shown in FIGS. 1 and 2;

FIG. 4 is an end view of the bottom end of the refuse container body; and,

FIG. 5 is a top end view of the refuse container body.

The broken lines shown herein are for illustrative purposes only and form no part of the claimed design.

1 Claim, 3 Drawing Sheets



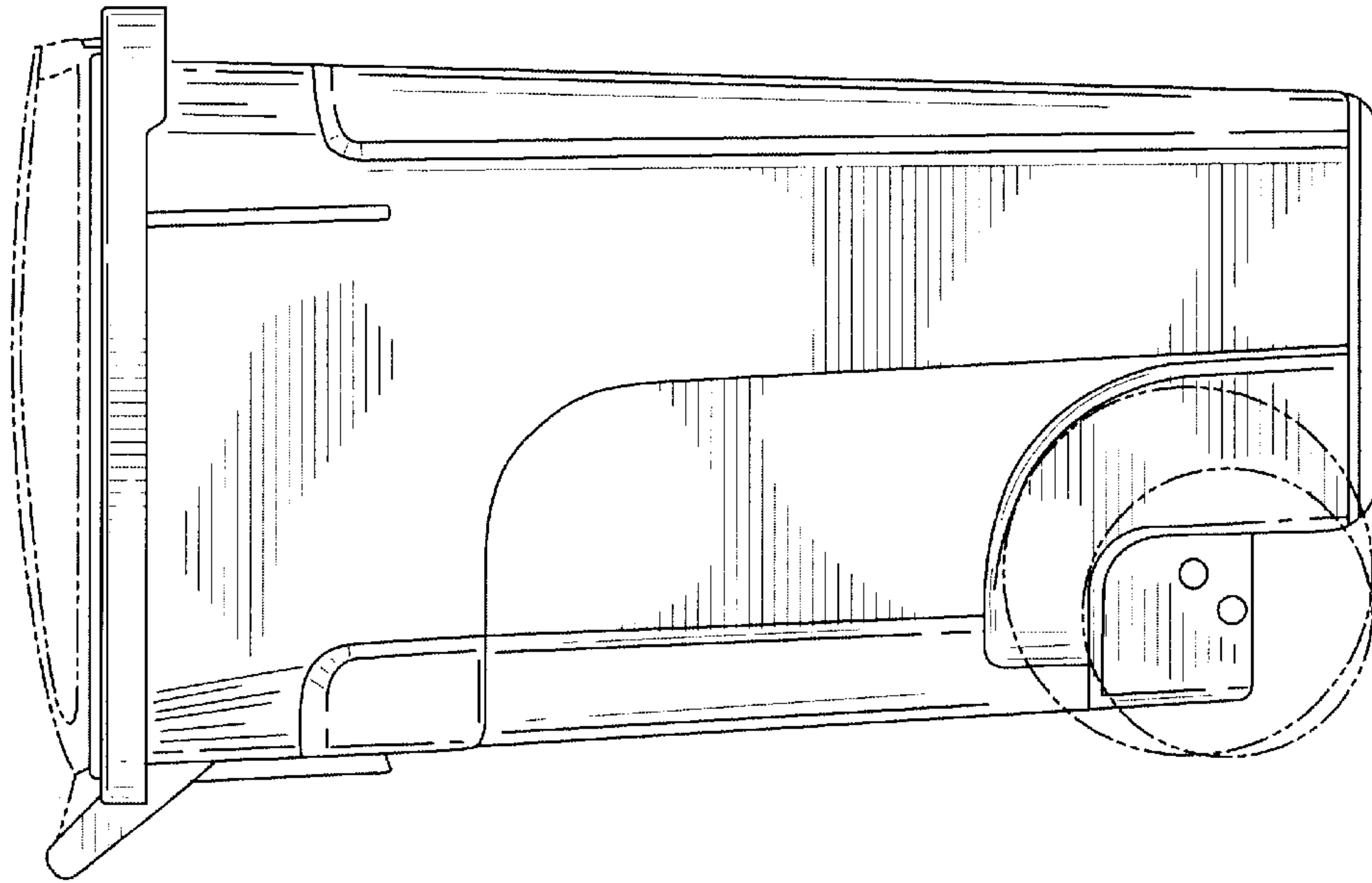


FIG. 2

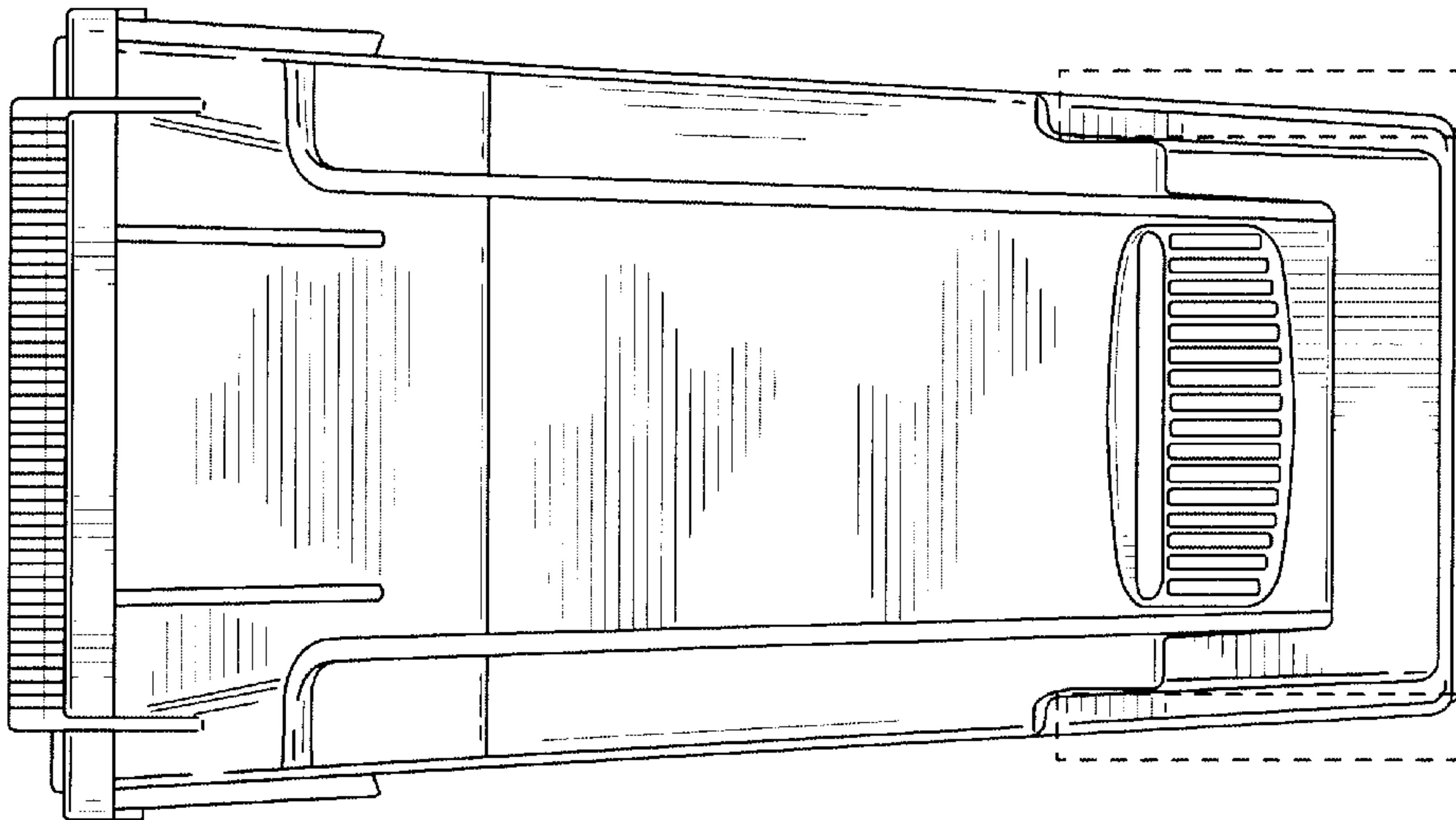


FIG. 1

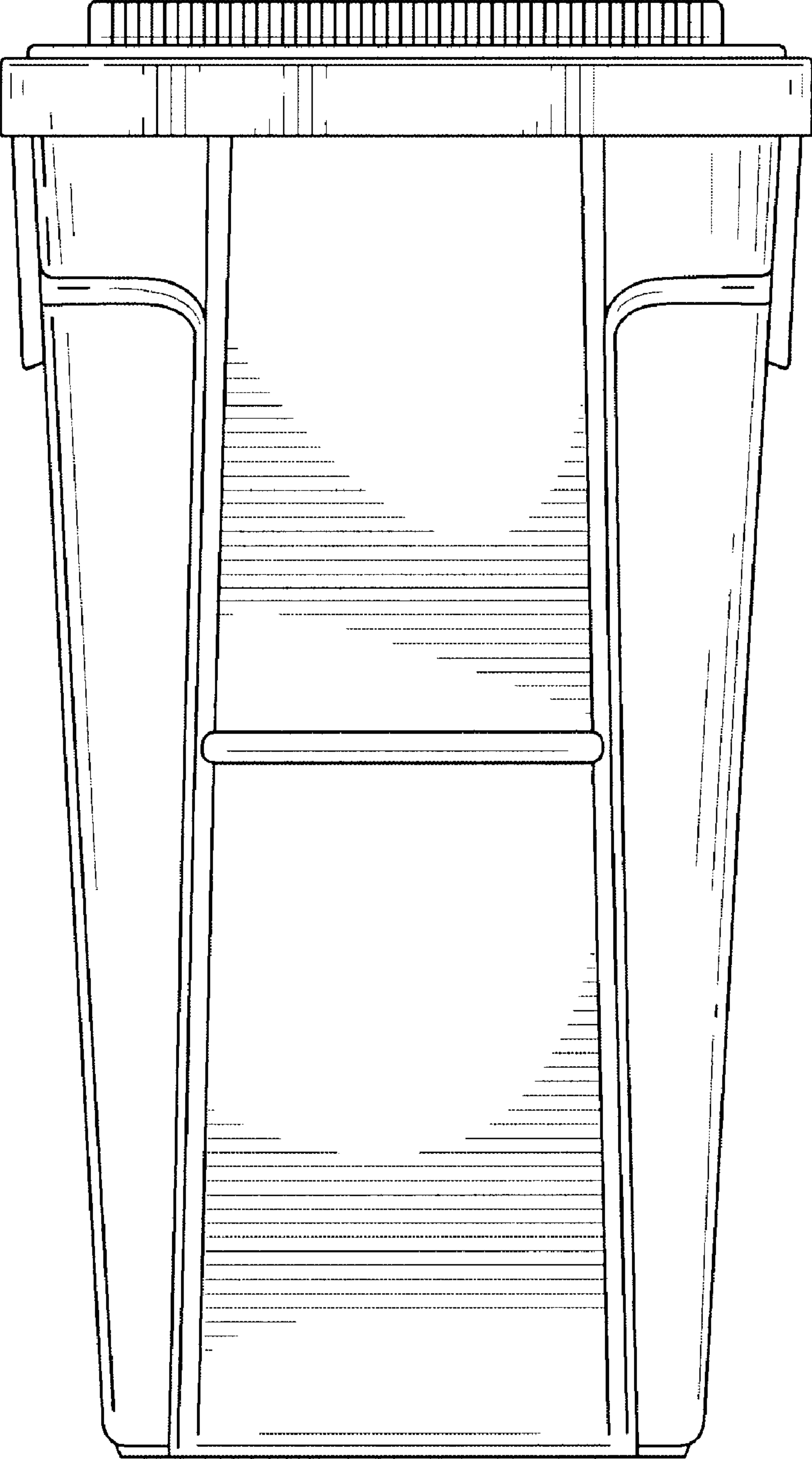


FIG. 3

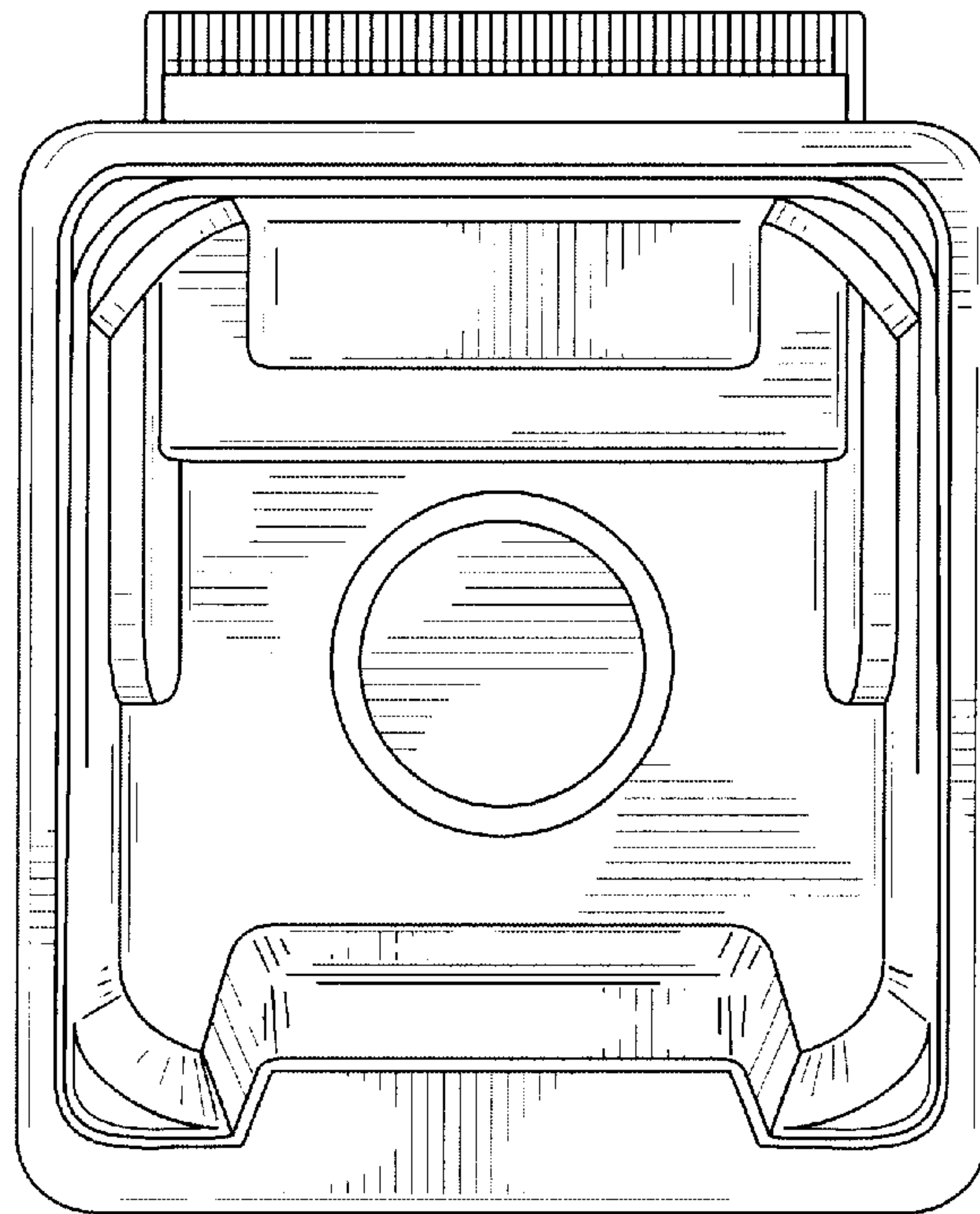


FIG. 4

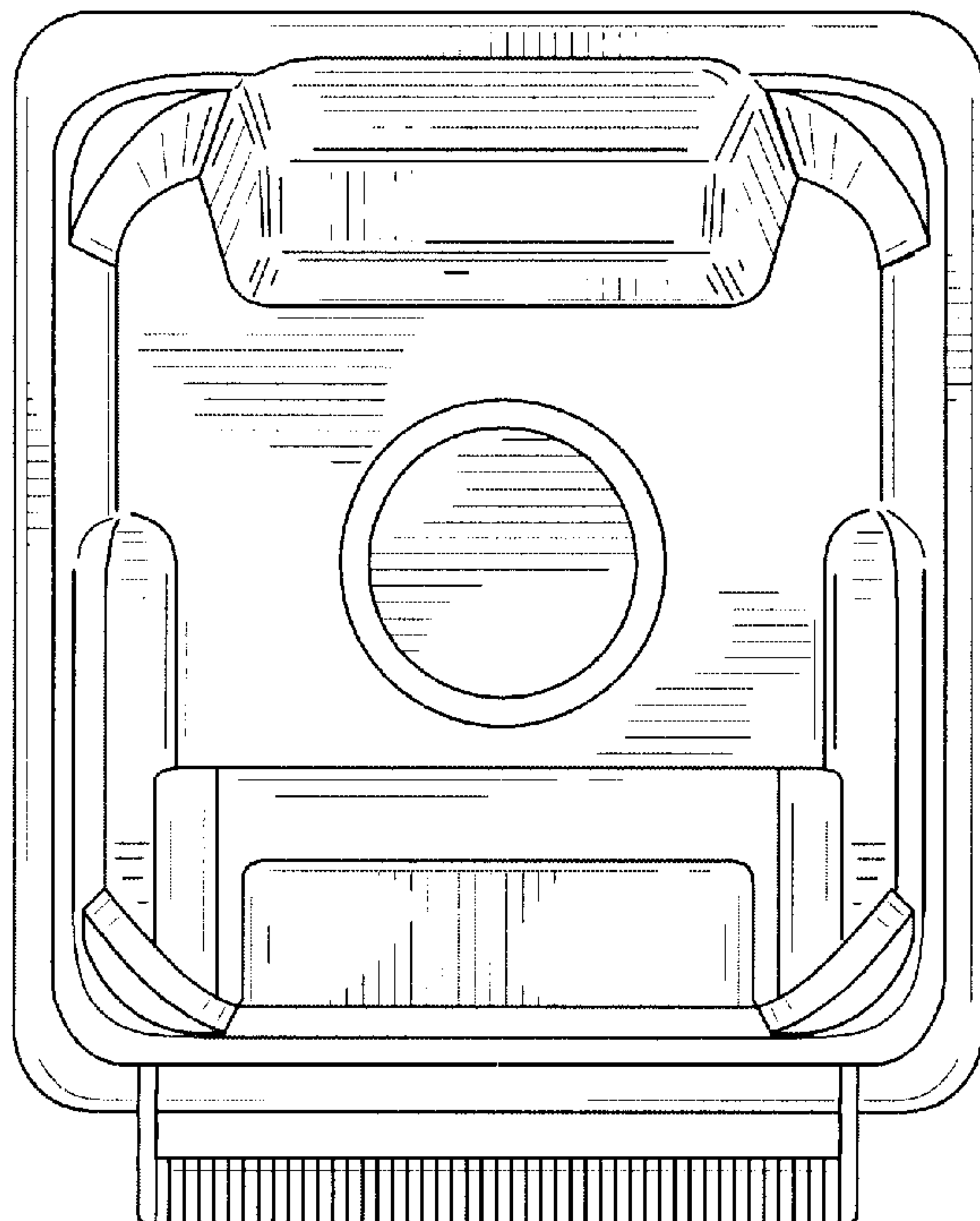


FIG. 5