

US00D509334S

(12) **United States Design Patent**
Smith

(10) **Patent No.:** **US D509,334 S**
(45) **Date of Patent:** **** Sep. 6, 2005**

(54) **APPARATUS FOR CLEANING DVDS AND CDS**

(76) **Inventor:** **Reese Smith**, 90 Alder Ave., San Anselmo, CA (US) 94960

(**) **Term:** **14 Years**

(21) **Appl. No.:** **29/191,553**

(22) **Filed:** **Oct. 9, 2003**

(51) **LOC (8) Cl.** **08-99**

(52) **U.S. Cl.** **D32/35**

(58) **Field of Search** D32/35; D14/442, D14/478, 483, 474, 299; 15/94, 97.1, 209.1, 210.1, 214, DIG. 14; 369/71, 72

(56) **References Cited**

U.S. PATENT DOCUMENTS

3,009,344	A	*	11/1961	Falconer	68/181	D
4,403,880	A	*	9/1983	Sandor et al.	401/134	
D277,326	S	*	1/1985	Allsop	D32/35	
4,556,433	A	*	12/1985	Clausen	134/6	
4,750,231	A	*	6/1988	Kogashiwa	15/97.1	
4,783,870	A	*	11/1988	Yeung	15/97.1	
5,126,992	A	*	6/1992	Lavinsky et al.	369/71	

5,146,382	A	*	9/1992	Yao-Ko	360/137	
D361,595	S	*	8/1995	Ramsey et al.	D19/35	
D366,737	S	*	1/1996	Chen	D32/35	
5,822,822	A	*	10/1998	Weng	15/97.1	
D406,929	S	*	3/1999	Hsu	D32/35	
D452,856	S	*	1/2002	Wei	D14/217	
6,766,550	B1	*	7/2004	Koch	15/97.1	

* cited by examiner

Primary Examiner—Cynthia E. Ramirez

(74) *Attorney, Agent, or Firm*—Craig M. Stainbrook; Larry D. Johnson; Johnson & Stainbrook, LLP

(57) **CLAIM**

The ornamental design for a apparatus for cleaning DVDs and CDs, as shown and described.

DESCRIPTION

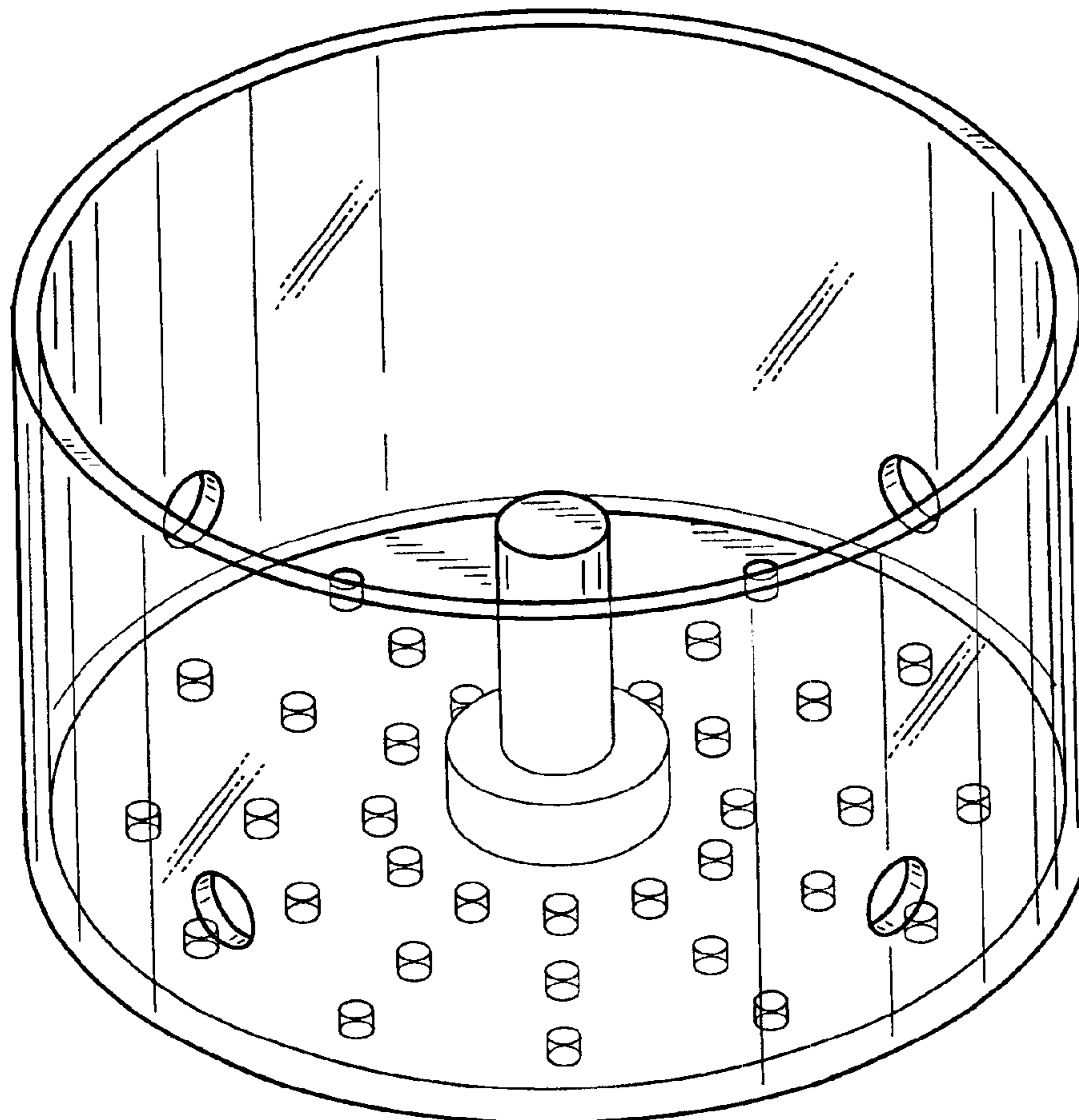
FIG. 1 is an upper, right, front perspective view of an apparatus for cleaning DVDs and CDs showing my new design;

FIG. 2 is a front elevation view, the right side, left side and rear views are identical thereto;

FIG. 3 is a top plan view; and,

FIG. 4 is a bottom plan view.

1 Claim, 3 Drawing Sheets



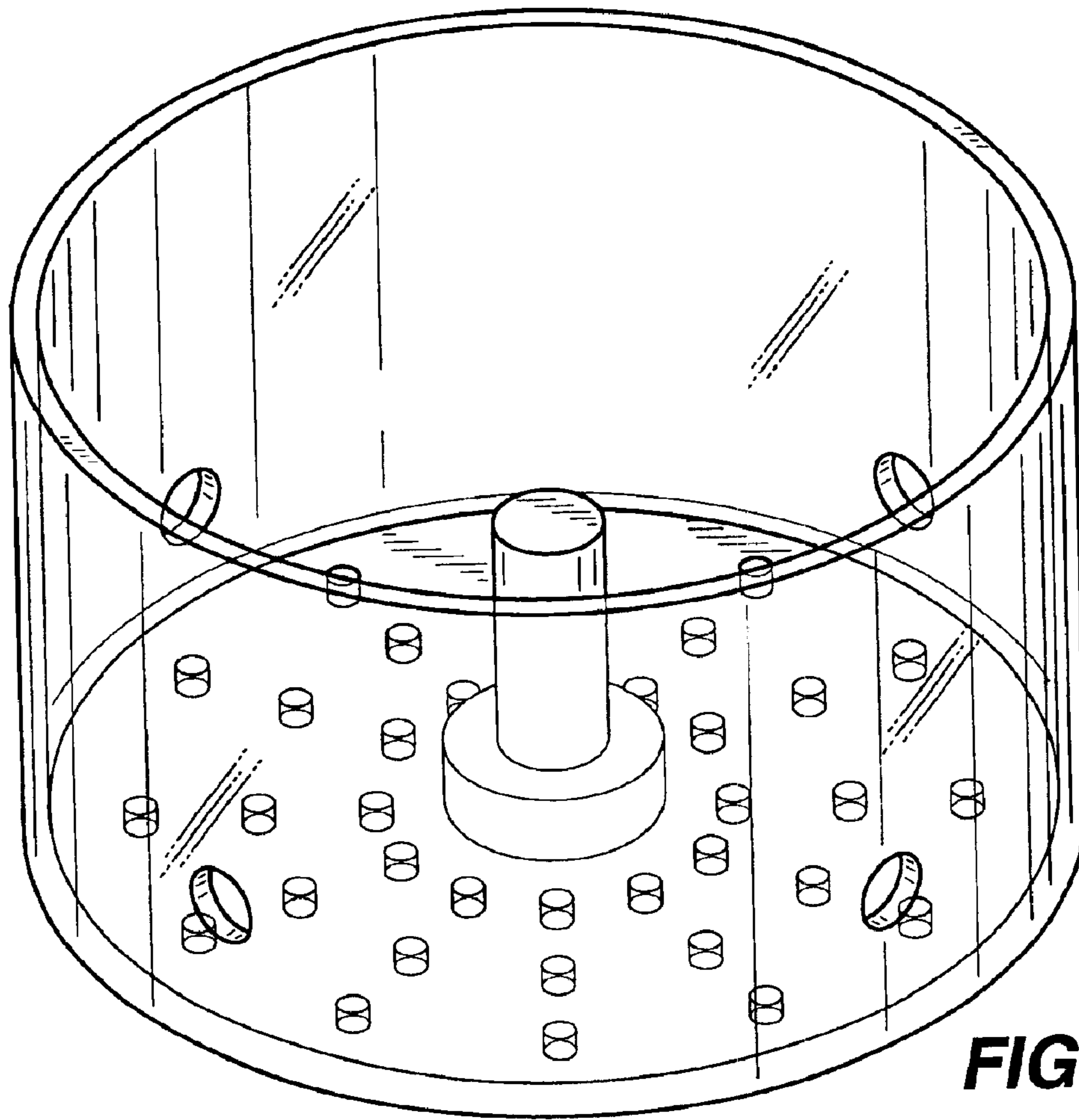


FIG. 1

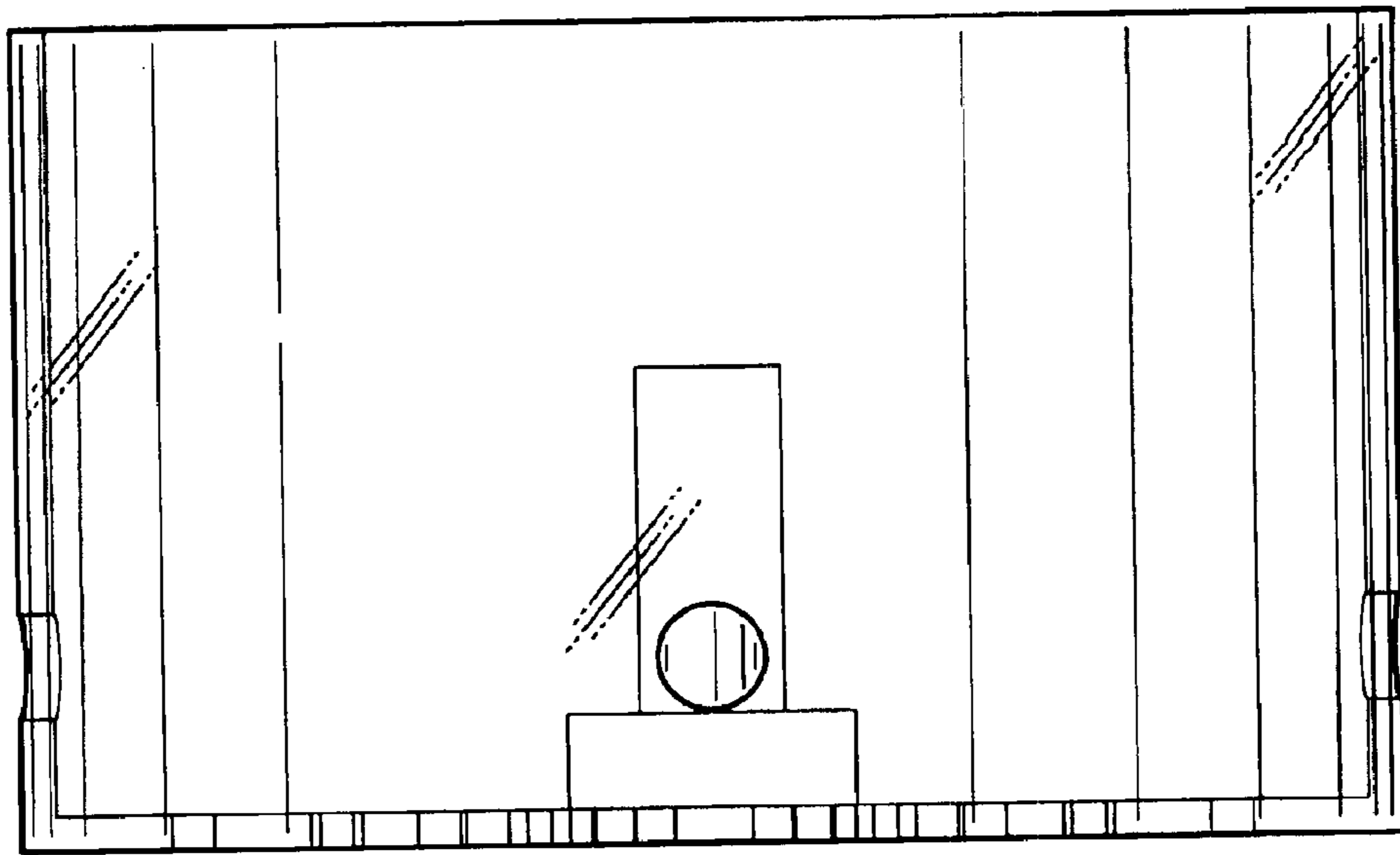


FIG. 2

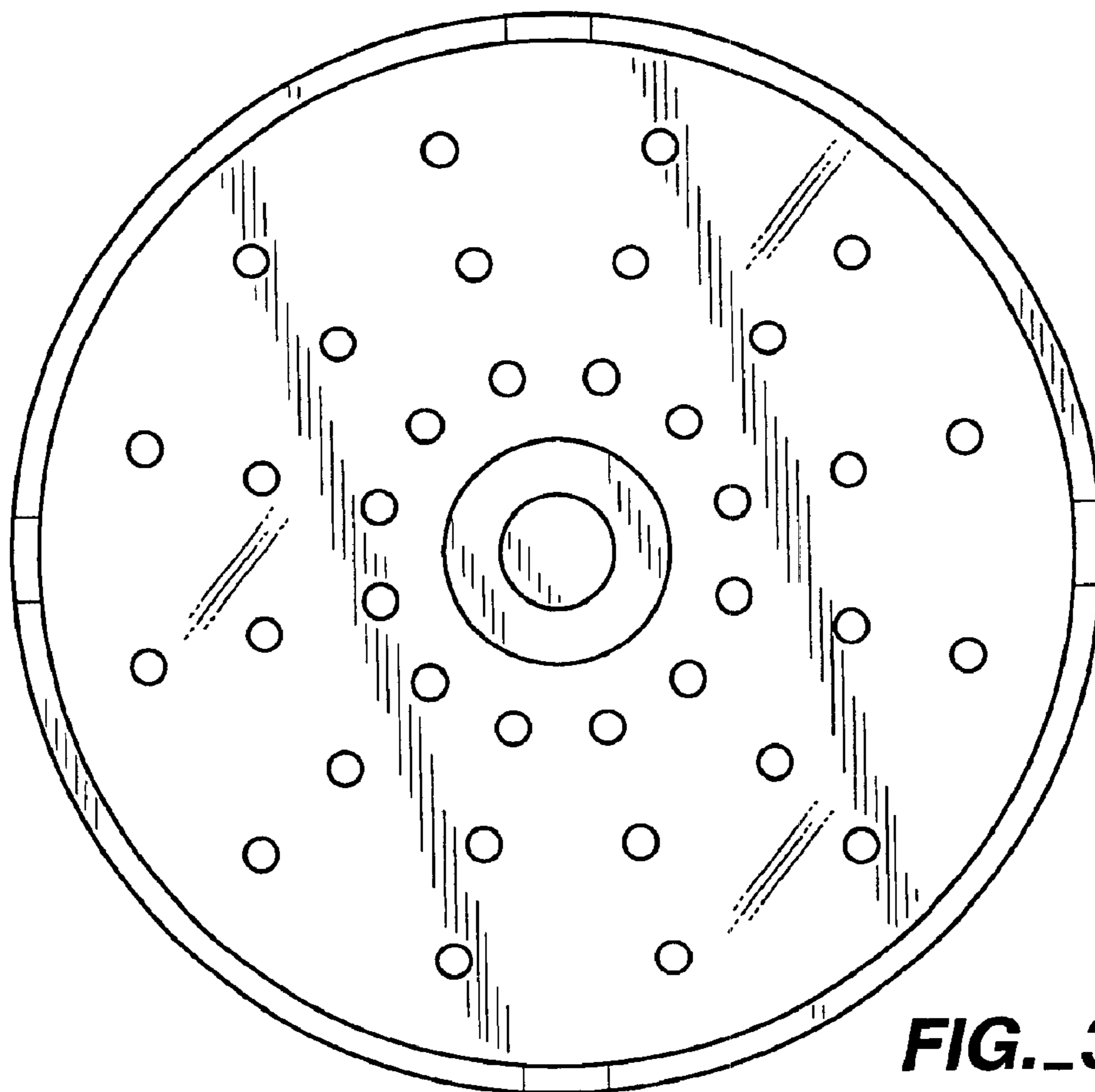


FIG. 3

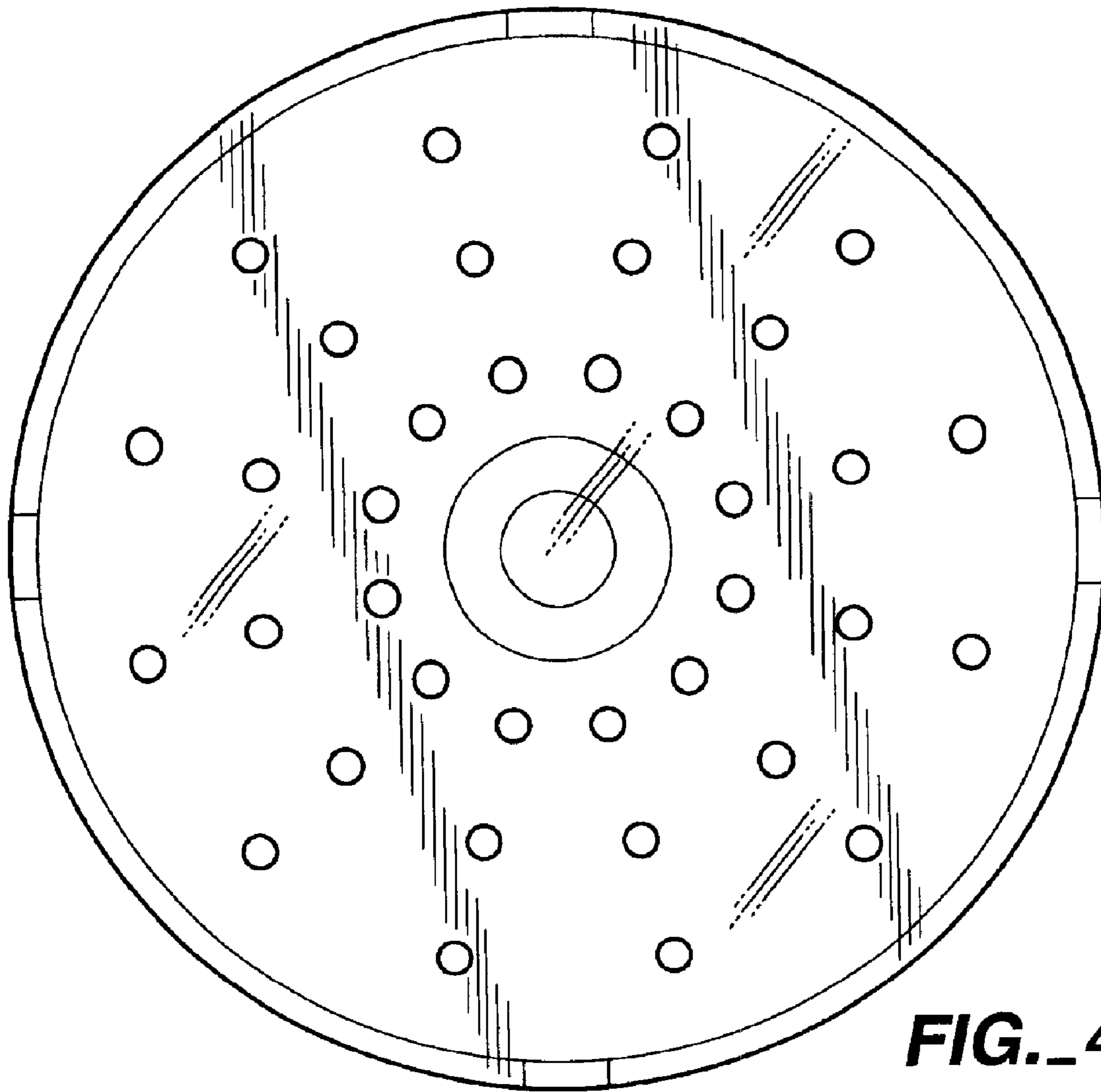


FIG. 4