

US00D509330S

(12) **United States Design Patent**
Russo, III

(10) **Patent No.:** **US D509,330 S**

(45) **Date of Patent:** **** Sep. 6, 2005**

(54) **GROOMING BOX**

(76) **Inventor:** **Joseph Russo, III**, 505 Kelly Dr., East
Aurora, NY (US) 14052

(**) **Term:** **14 Years**

(21) **Appl. No.:** **29/202,848**

(22) **Filed:** **Apr. 7, 2004**

(51) **LOC (8) Cl. 30-99**

(52) **U.S. Cl. D30/158**

(58) **Field of Search D30/158, 199,**
D30/108; 119/600, 673, 756, 416, 417,
482, 492, 494, 497; 312/237, 270.1, 285

(56) **References Cited**

U.S. PATENT DOCUMENTS

2,902,976	A *	9/1959	Wilson	119/756
4,559,903	A *	12/1985	Bloom et al.	119/416
5,144,910	A *	9/1992	Darby	119/496
5,251,572	A *	10/1993	Frame et al.	119/496
5,513,598	A *	5/1996	Zapparoli	119/600
6,119,631	A *	9/2000	Markoll	119/417
6,182,612	B1 *	2/2001	Ross, Sr.	119/482

* cited by examiner

Primary Examiner—Alan P. Douglas

Assistant Examiner—Susan M Lee

(57) **CLAIM**

The ornamental design for a grooming box, as shown.

DESCRIPTION

FIG. 1, is a front elevation view of a grooming box, showing my new design.

FIG. 2, is a rear elevation view of the grooming box of FIG. 1.

FIG. 3, is a top plan view of the grooming box of FIG. 1.

FIG. 4, is a bottom plan view of the grooming box of FIG. 1.

FIG. 5, is a left side elevation view of the grooming box of FIG. 1, the right side plan view being a mirror image thereof.

FIG. 6, is a front elevation view of another embodiment of a grooming box, showing my new design.

FIG. 7, is a rear elevation view of the grooming box of FIG. 6.

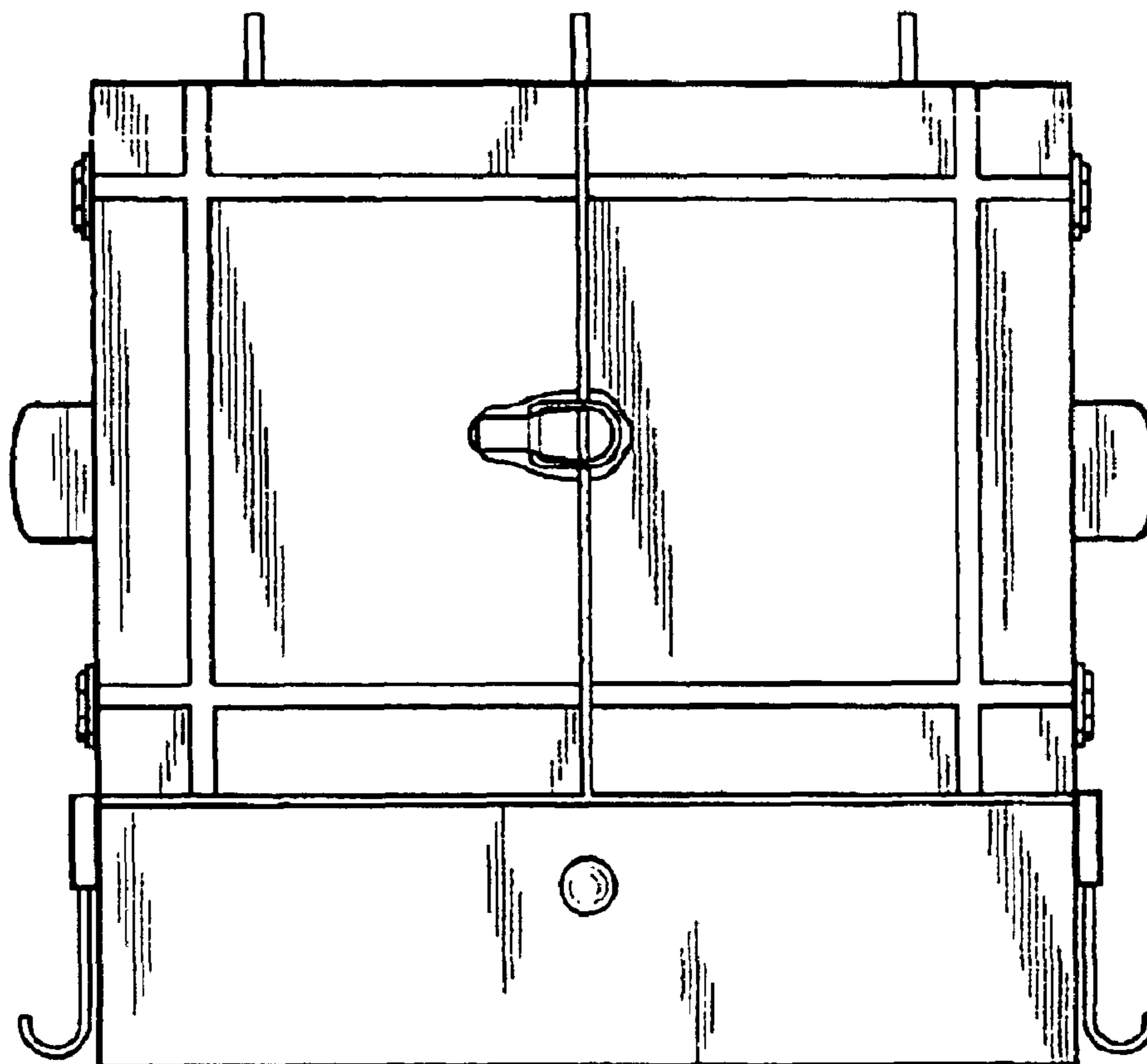
FIG. 8, is a top plan view of the grooming box of FIG. 6.

FIG. 9, is a bottom plan view of the grooming box of FIG. 6; and,

FIG. 10, is a left side elevation view of the grooming box of FIG. 6, the right side plan view being a mirror image thereof.

The broken lines forming no part of the claimed design.

1 Claim, 6 Drawing Sheets



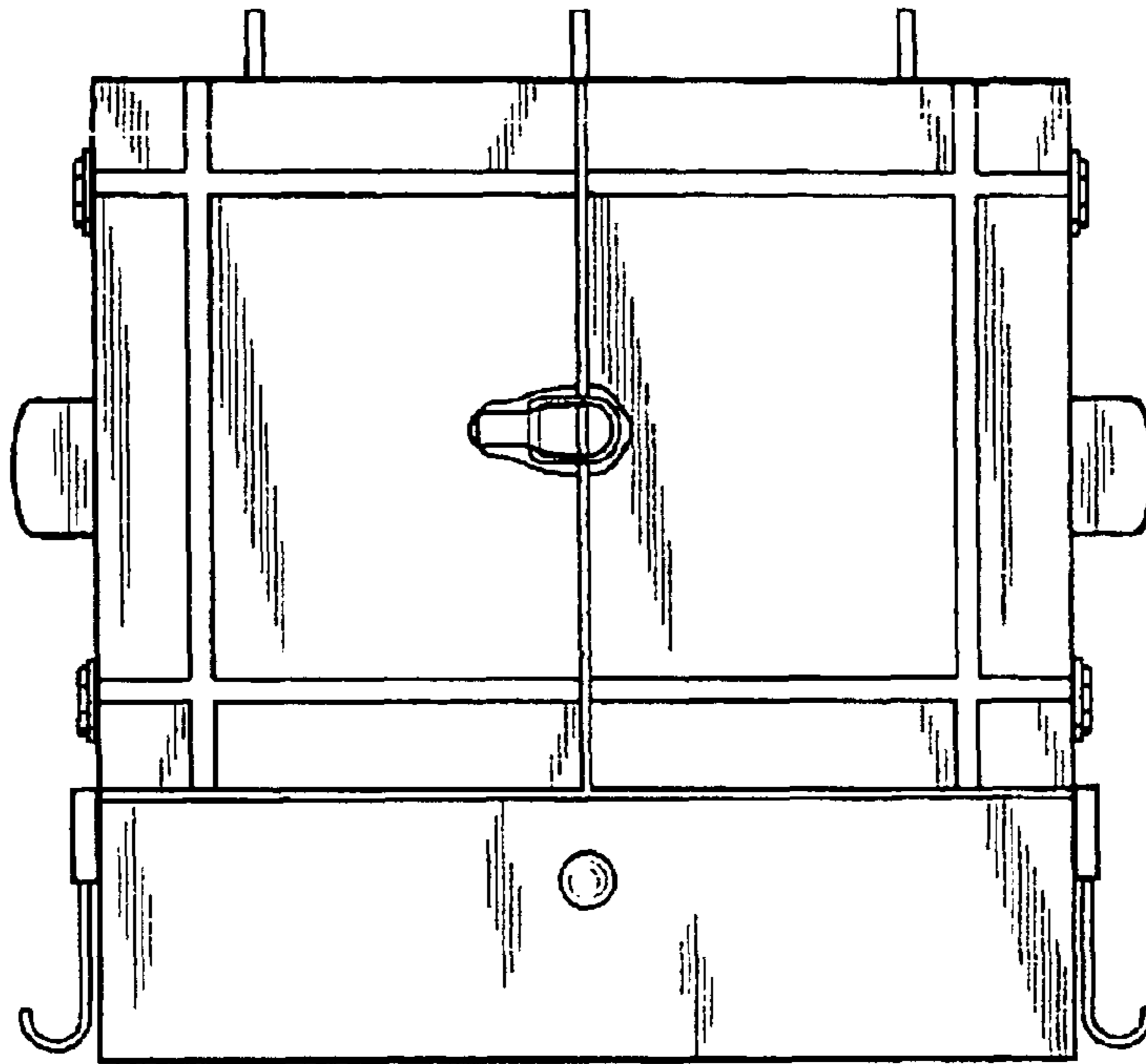


Fig. 1

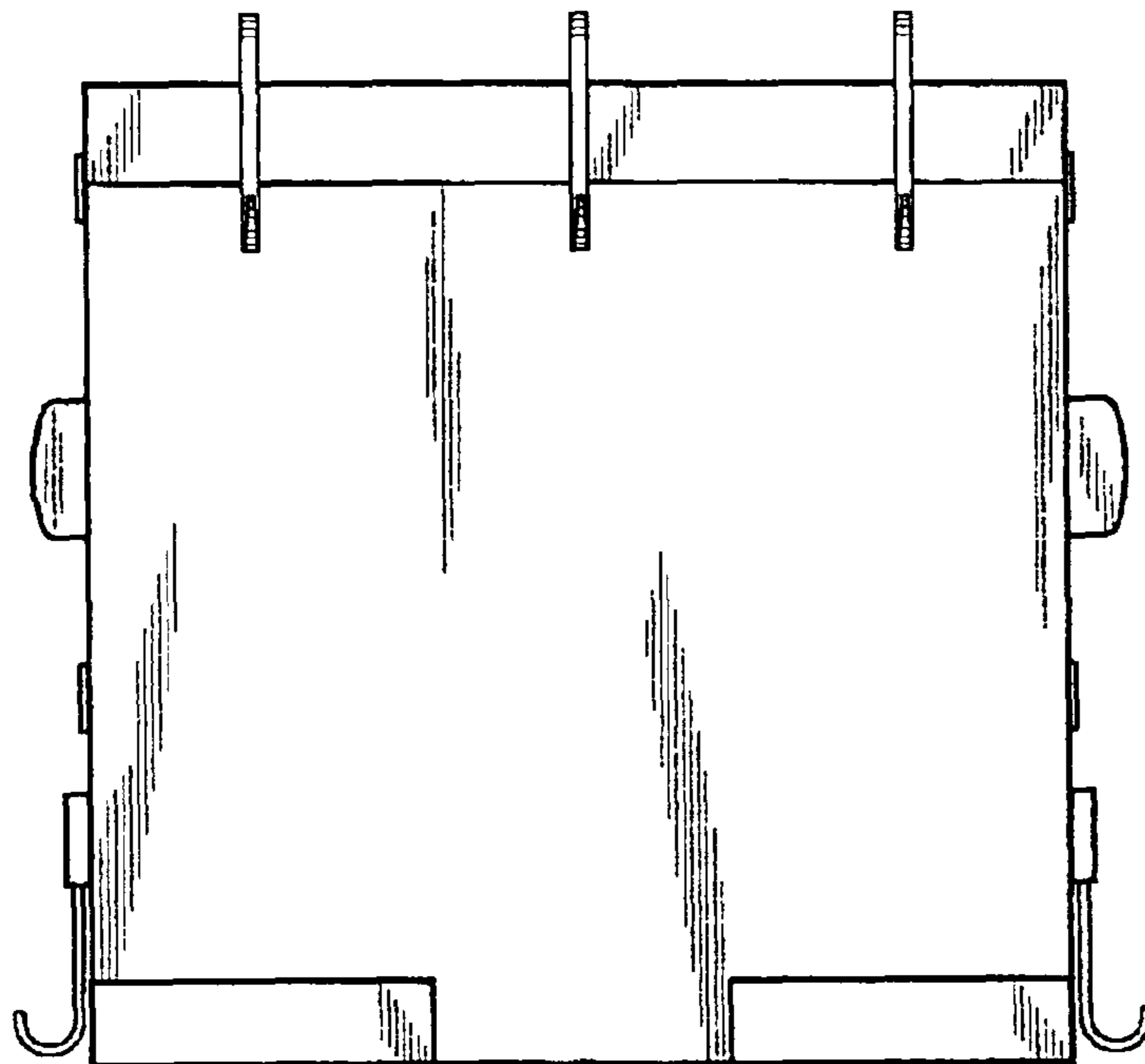


Fig. 2

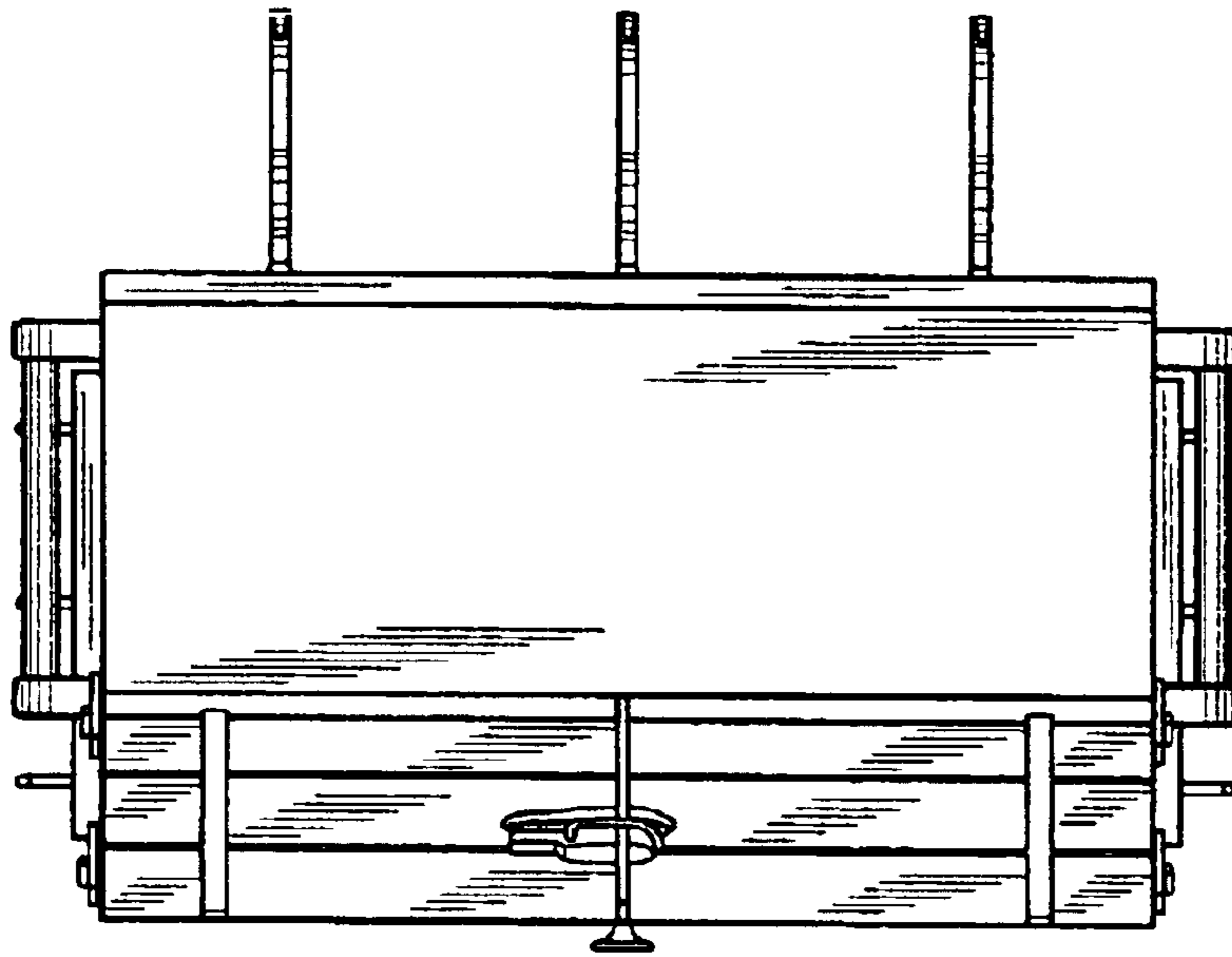


Fig.3

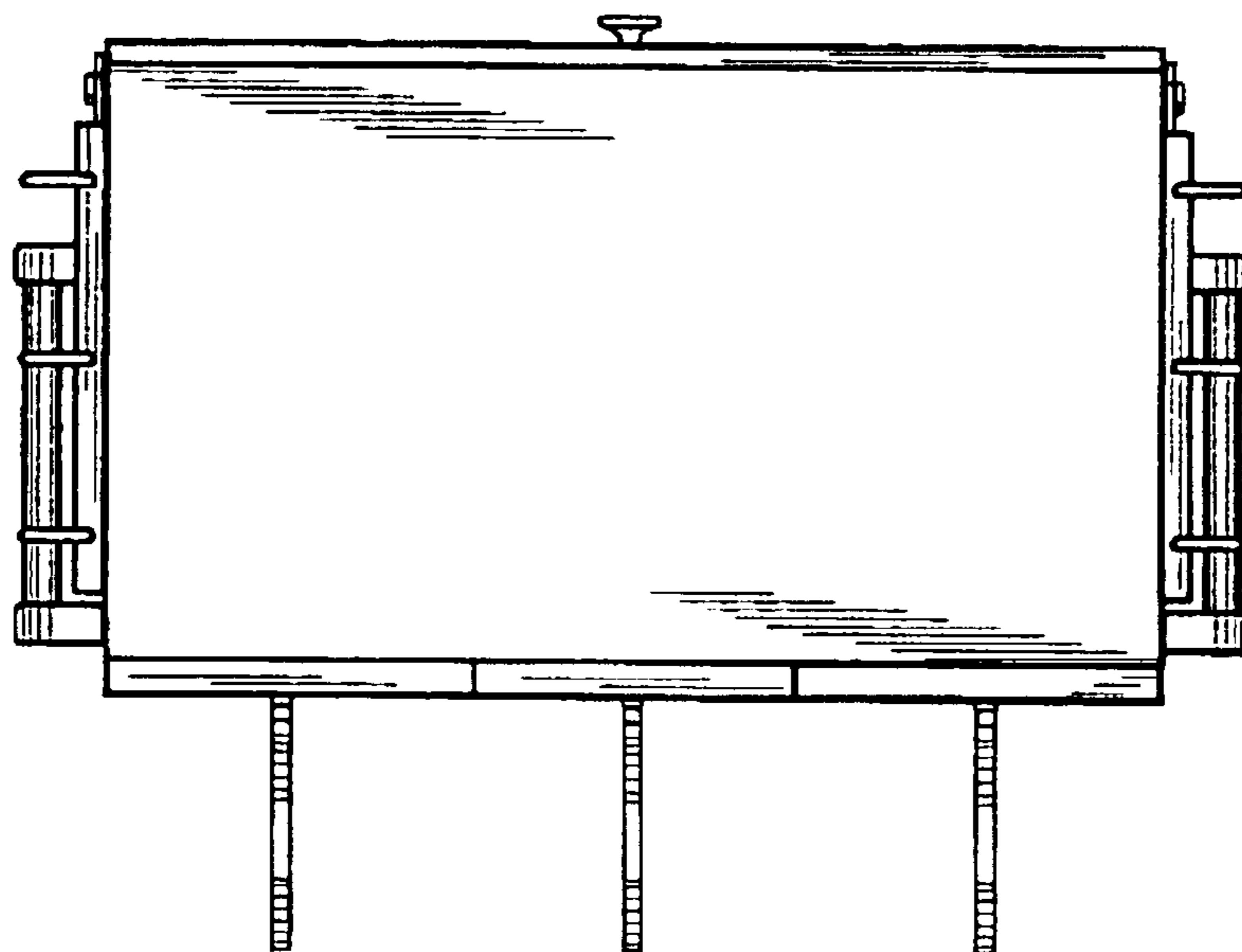


Fig.4

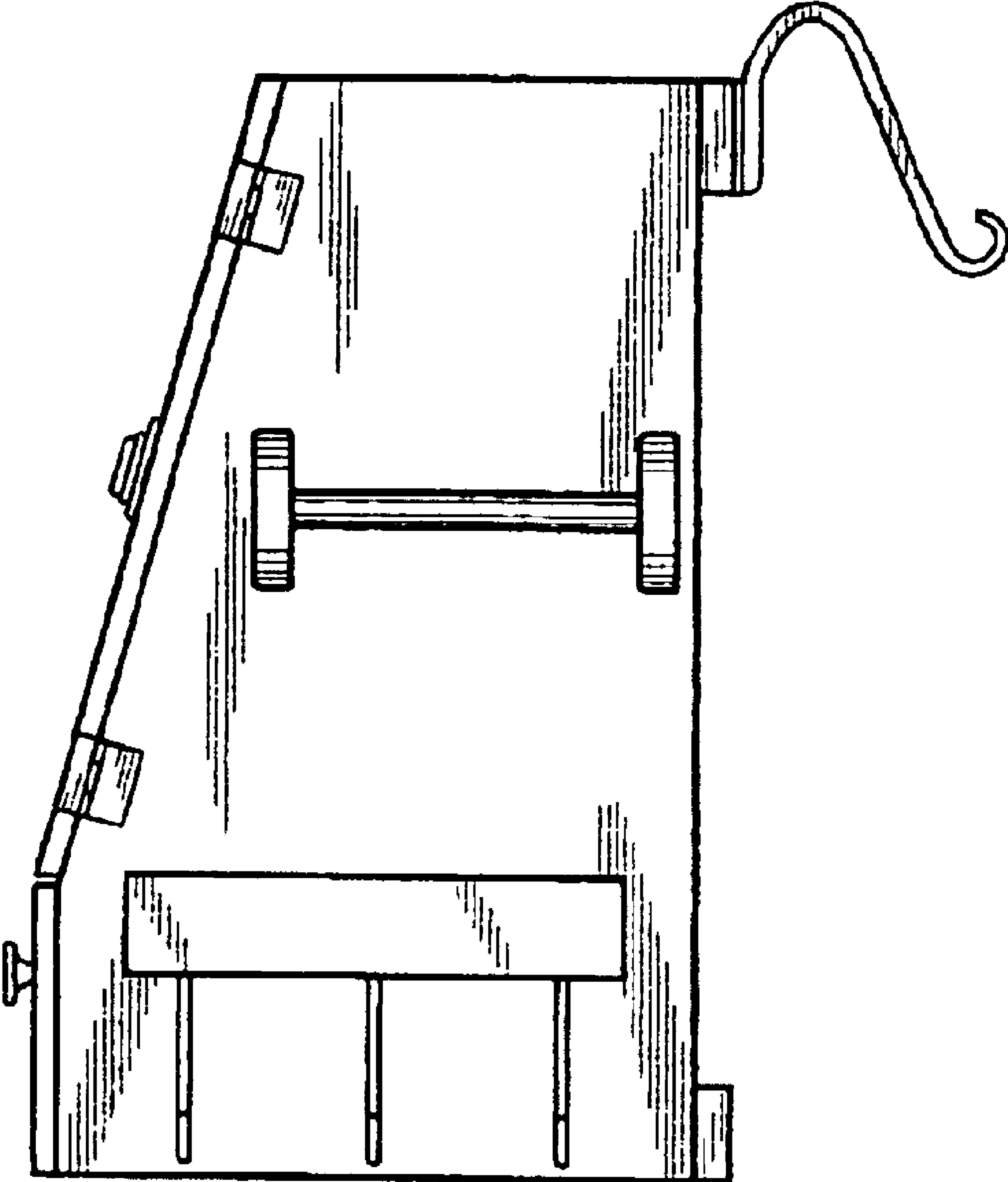


Fig. 5

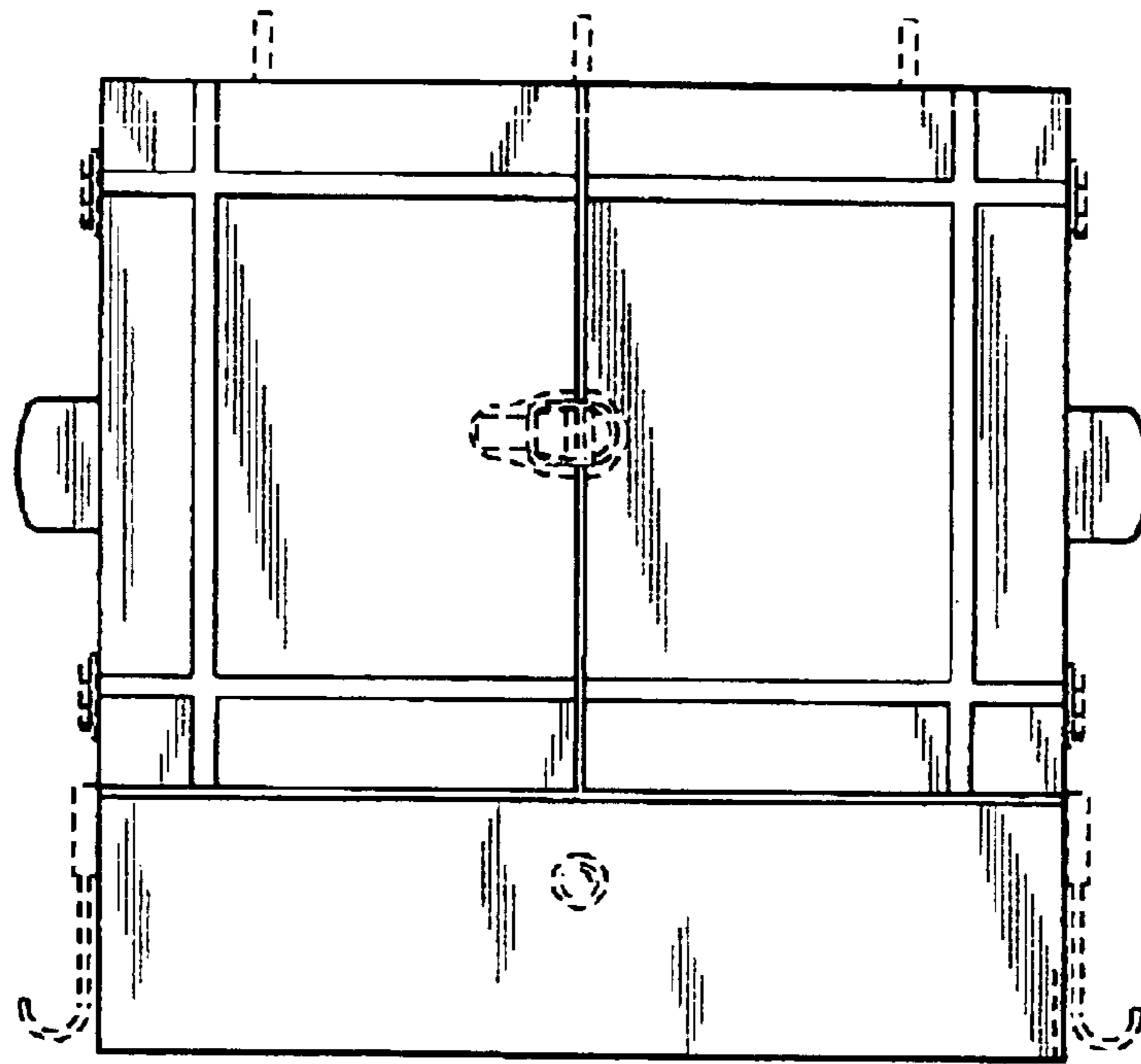


Fig. 6

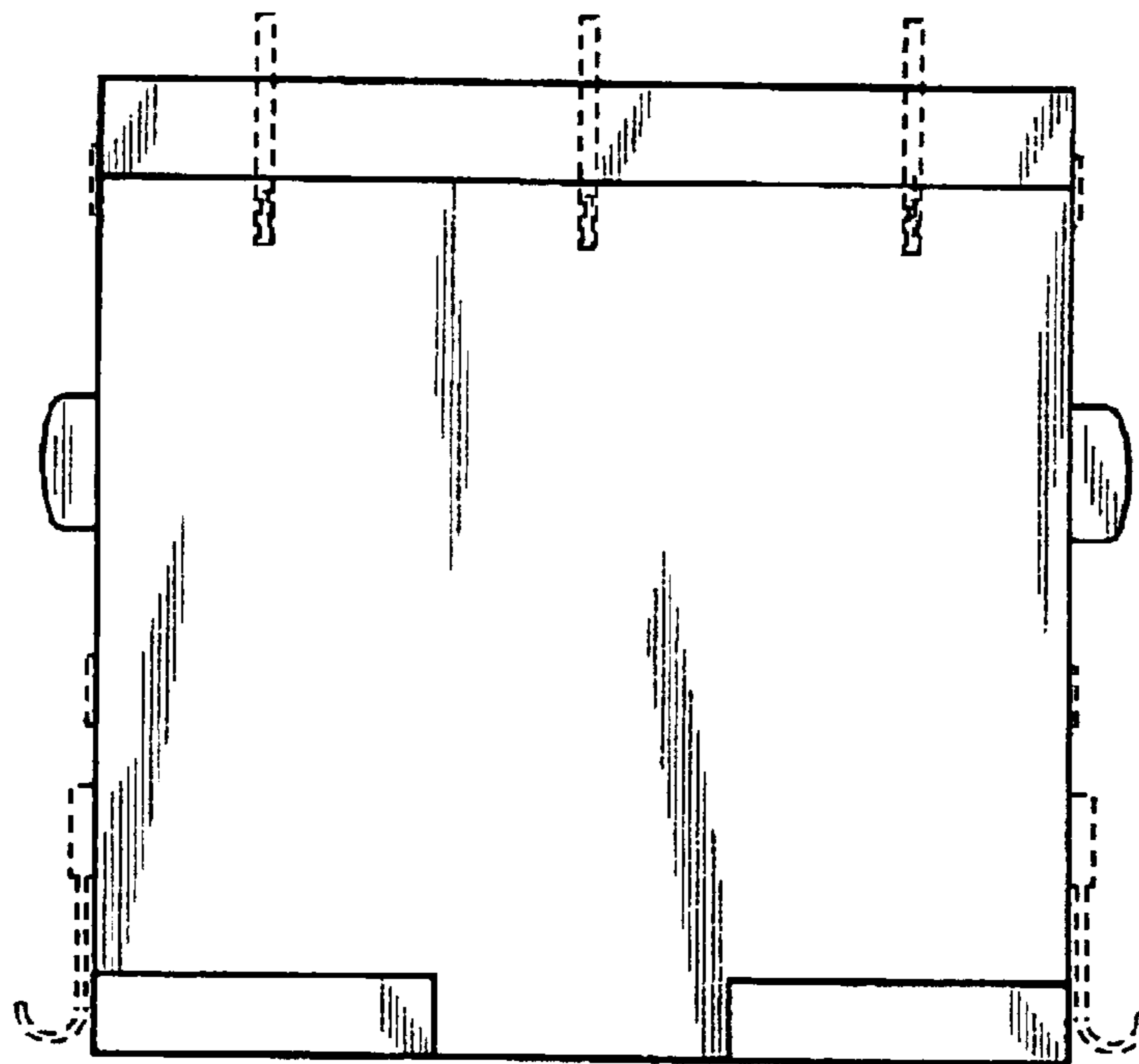


Fig. 7

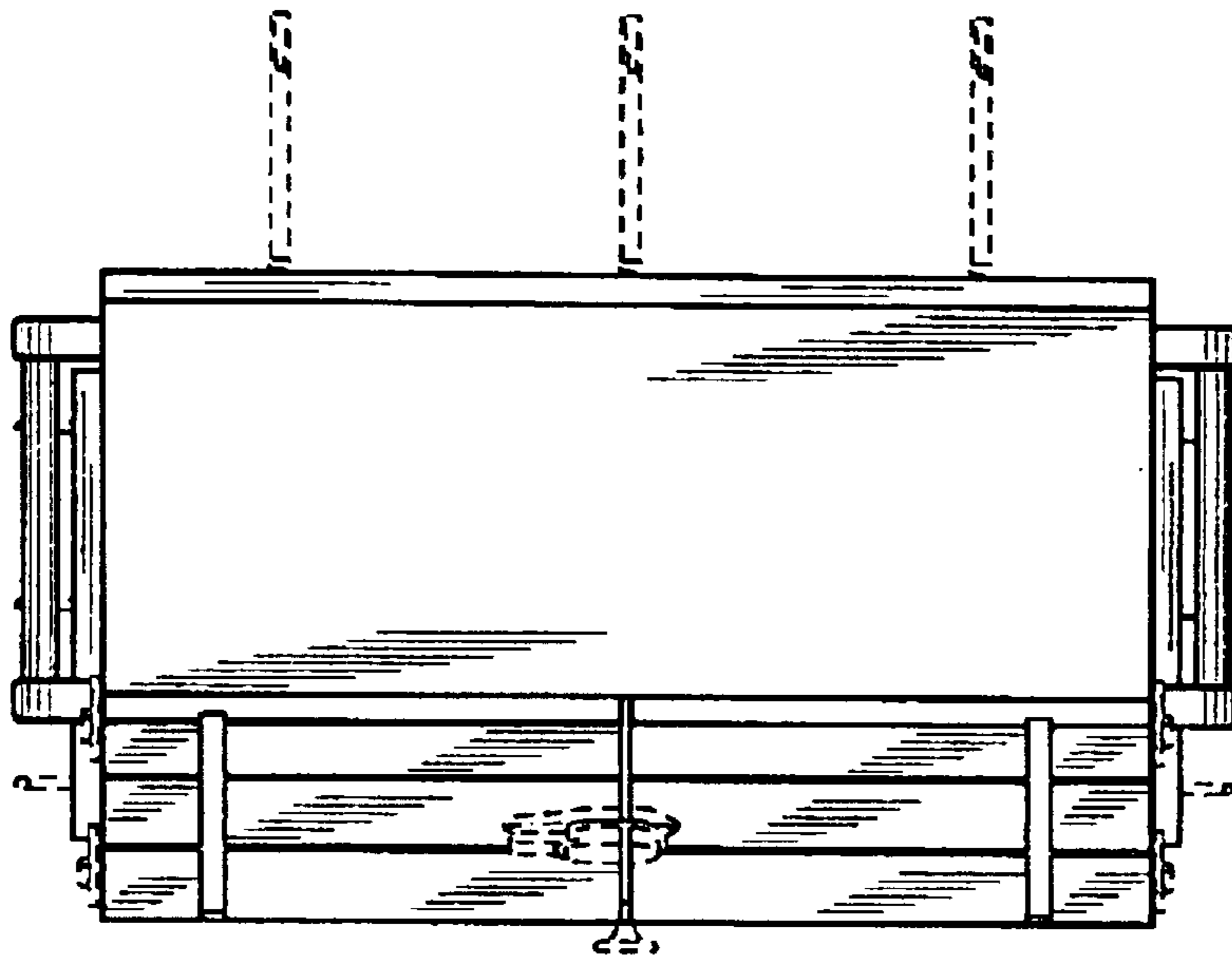


Fig. 8

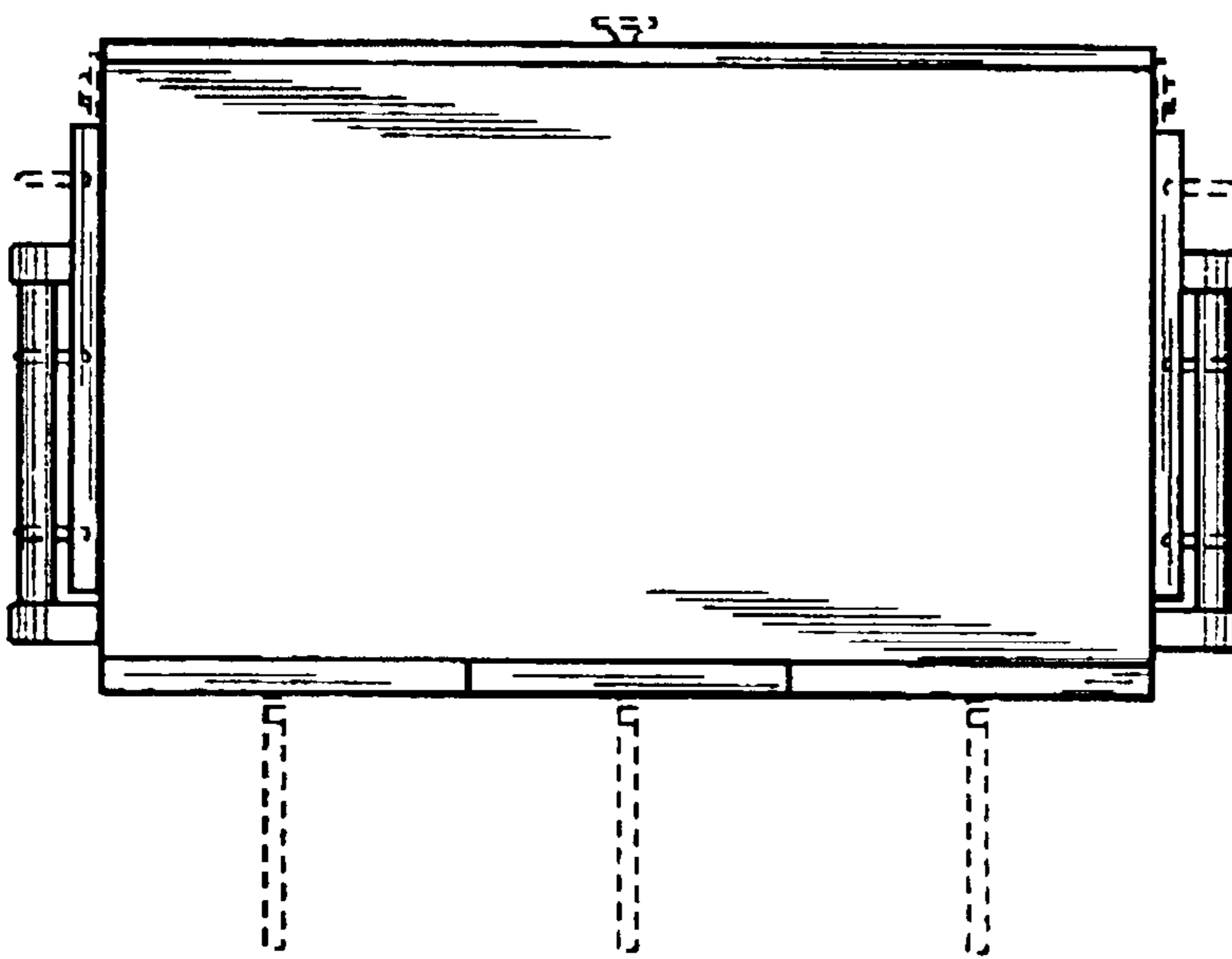


Fig. 9

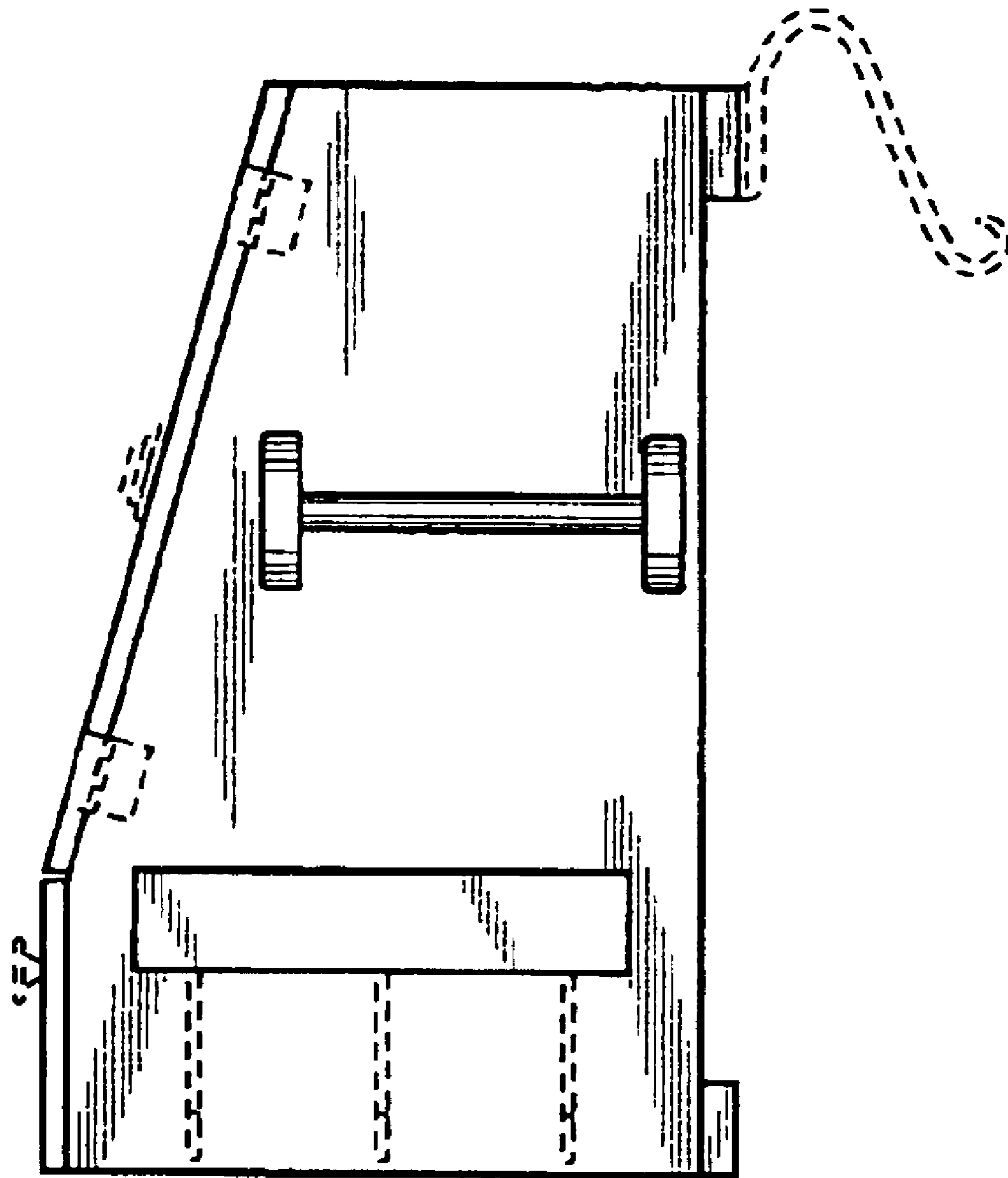


Fig. 10