

US00D509325S

(12) **United States Design Patent**
Jung et al.

(10) **Patent No.:** **US D509,325 S**
(45) **Date of Patent:** **** Sep. 6, 2005**

(54) **HUMMINGBIRD FEEDER**

(75) Inventors: **Richard K. Jung**, Laguna Niguel, CA (US); **Joie L. Puckett**, Long Beach, CA (US)

(73) Assignee: **Perky-Pet Products Company, Inc.**, Denver, CO (US)

(**) Term: **14 Years**

(21) Appl. No.: **29/210,625**

(22) Filed: **Aug. 2, 2004**

(51) **LOC (8) Cl.** **30-03**

(52) **U.S. Cl.** **D30/127**

(58) **Field of Search** D30/121, 124-28, D30/110, 115, 117, 119; 119/51.01, 57.8, 53, 428-29, 433-35, 469

(56) **References Cited**

U.S. PATENT DOCUMENTS

8,898	A	*	4/1852	Rosenblatt	425/442
22,768	A	*	1/1859	Dungan	19/329
1,131,491	A	*	3/1915	Drake	119/53
D81,960	S	*	9/1930	Dickson	D30/124
2,267,883	A	*	12/1941	Wood	119/77
2,475,207	A	*	7/1949	Smith	119/52.2
3,081,002	A	*	3/1963	Tauschinski et al.	222/105
3,125,069	A	*	3/1964	Fowler	119/77

D232,658	S	*	9/1974	Fassauer	D30/121
D235,364	S	*	6/1975	Fassauer	D11/146
3,888,211	A	*	6/1975	Allen	119/457
5,033,411	A	*	7/1991	Brucker	119/52.2
D333,538	S	*	2/1993	Kingsley	D30/199
5,988,111	A	*	11/1999	Kujath	119/469
D454,669	S	*	3/2002	Lieb	D30/125
6,363,887	B1	*	4/2002	Davis	119/52.1

* cited by examiner

Primary Examiner—Alan P. Douglas

Assistant Examiner—Susan M Lee

(74) *Attorney, Agent, or Firm*—Timothy J. Martin; Michael R. Henson; Rebecca A. Gegick

(57) **CLAIM**

The ornamental design for a hummingbird feeder, as shown.

DESCRIPTION

FIG. 1 is a perspective view of a hummingbird feeder showing our new design;

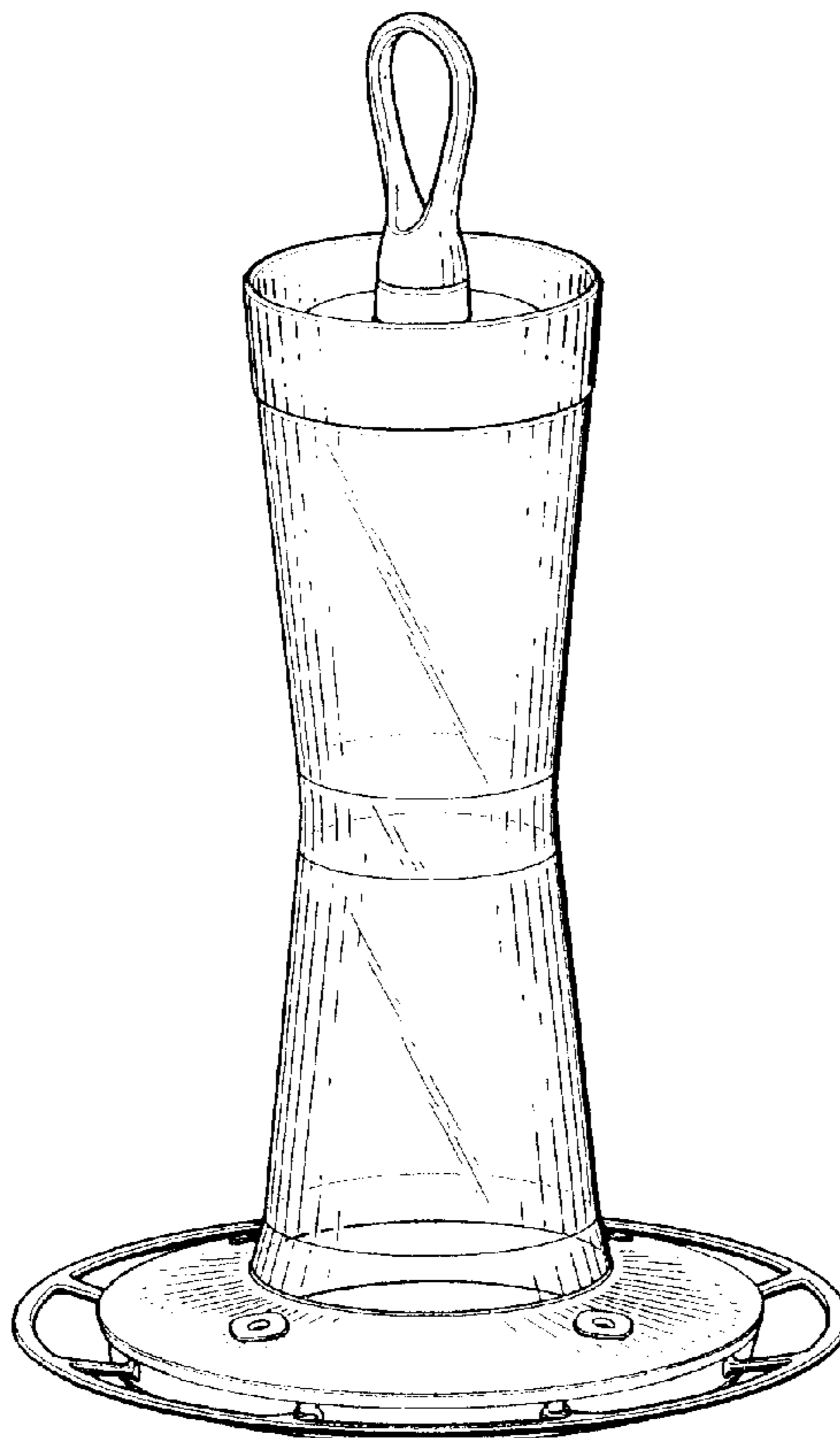
FIG. 2 is front view in elevation of the hummingbird feeder shown in FIG. 1;

FIG. 3 is a bottom plan view of the hummingbird feeder shown in FIG. 1;

FIG. 4 is a top plan view of the hummingbird feeder shown in FIG. 1; and,

FIG. 5 is a side view in elevation of the hummingbird feeder shown in FIG. 1.

1 Claim, 1 Drawing Sheet



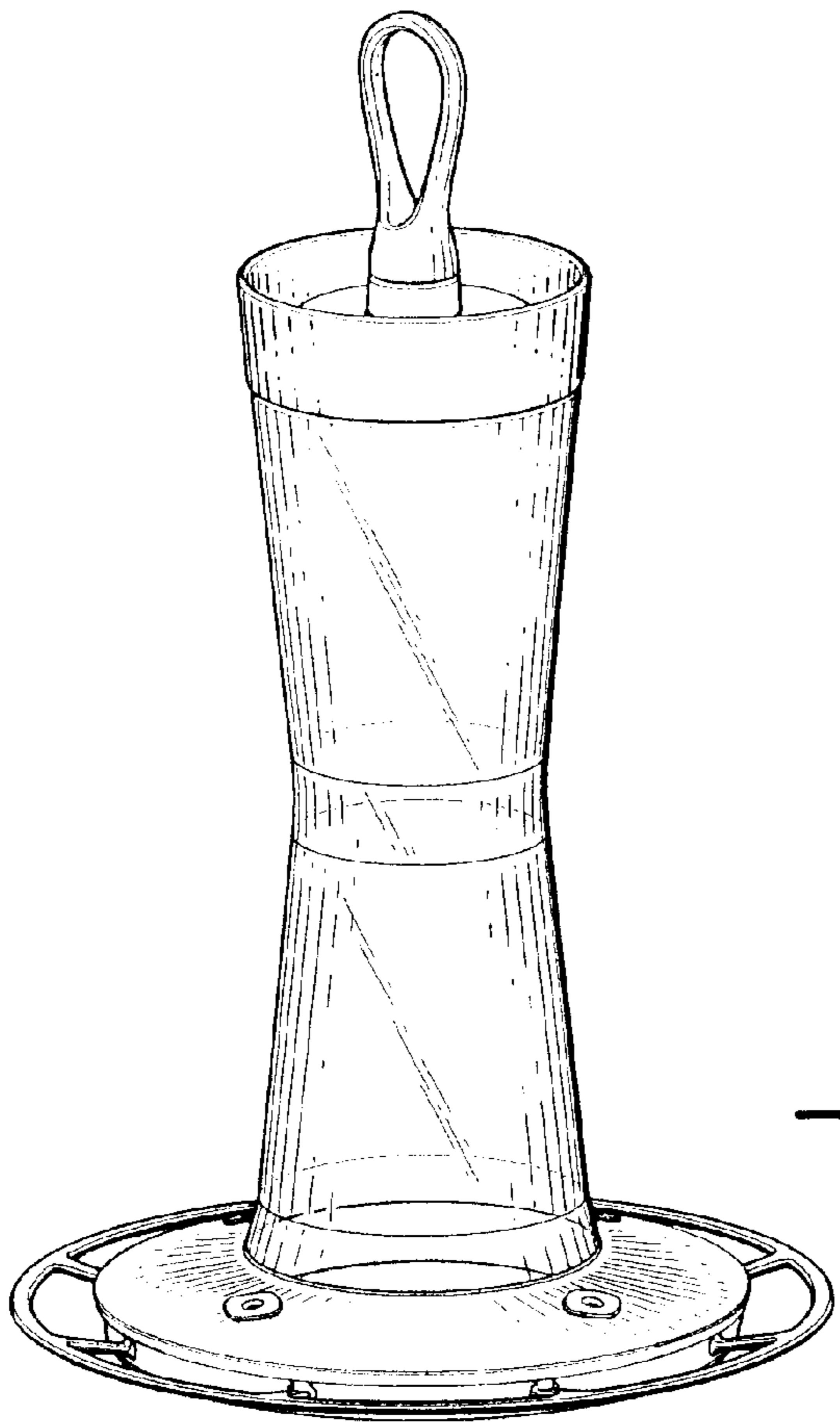


Fig. 1

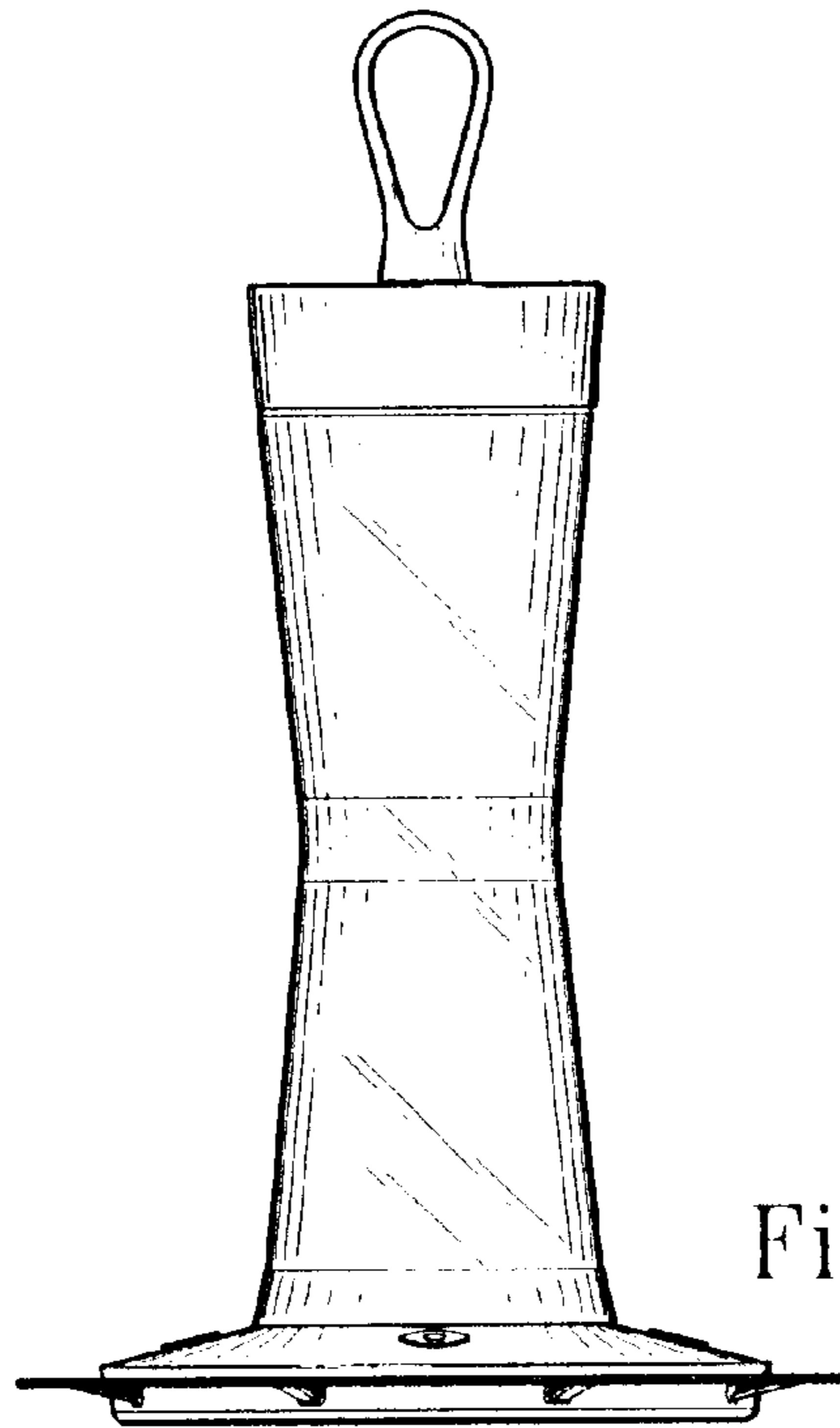


Fig. 2

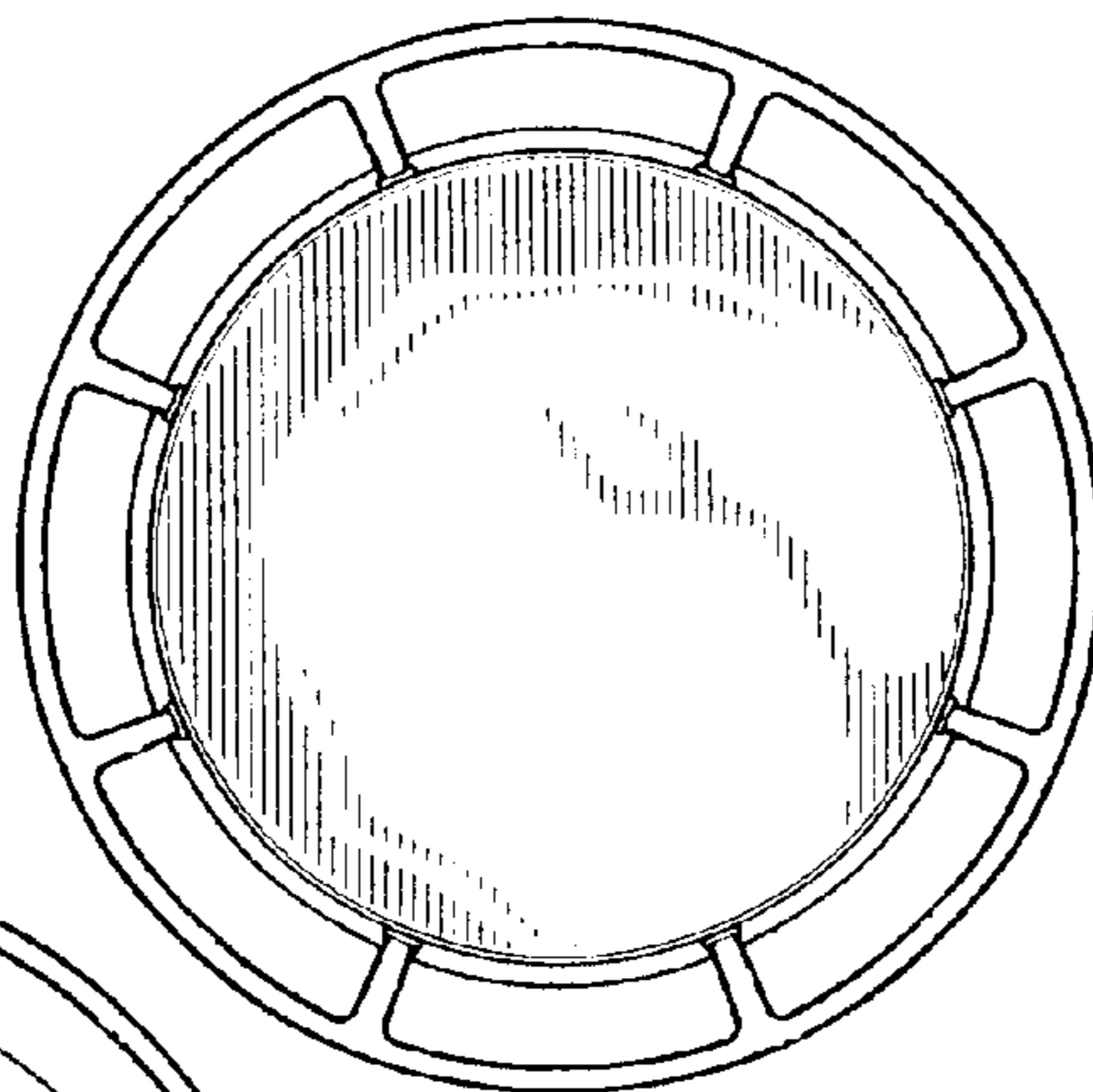


Fig. 3

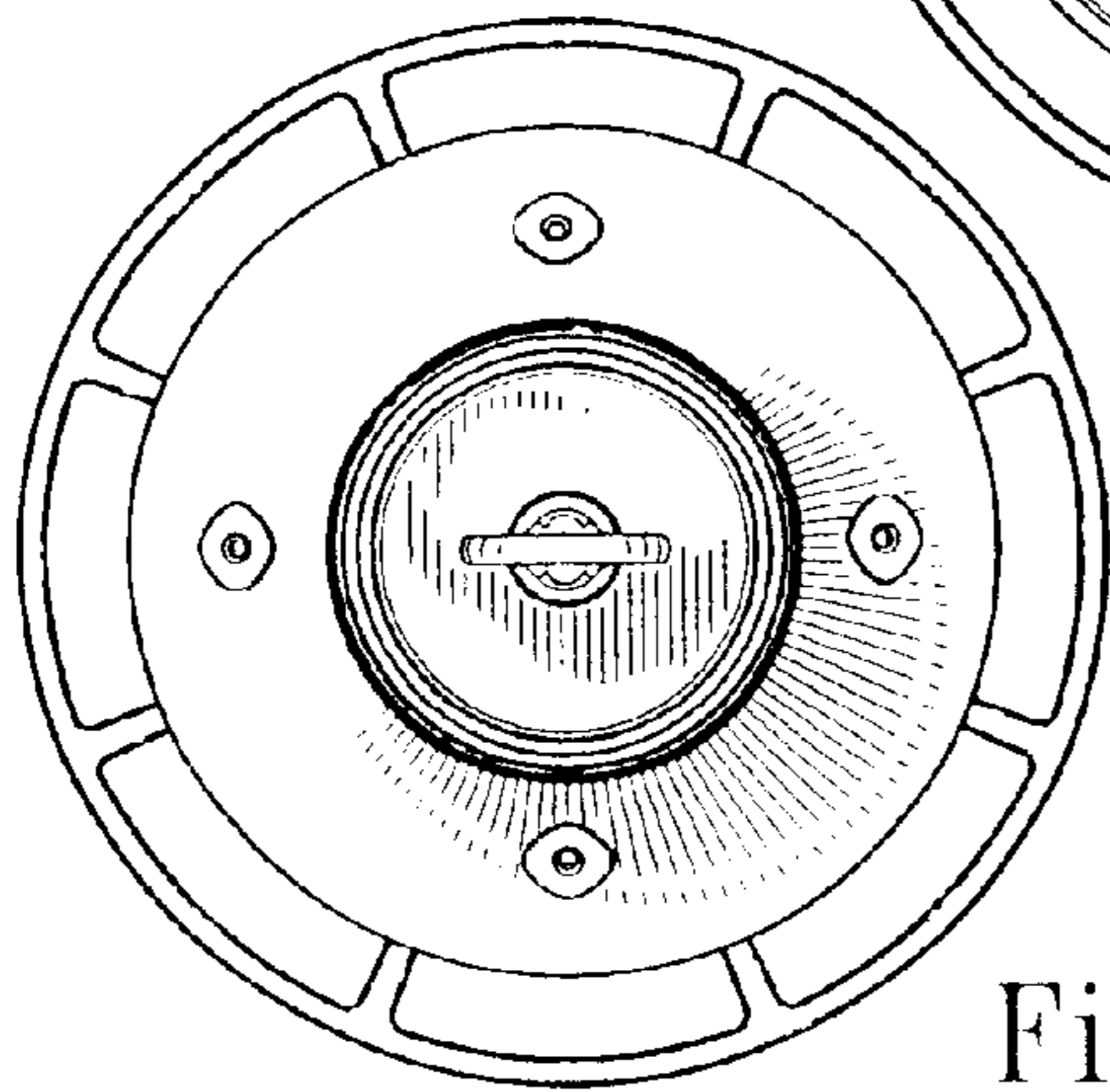


Fig. 4

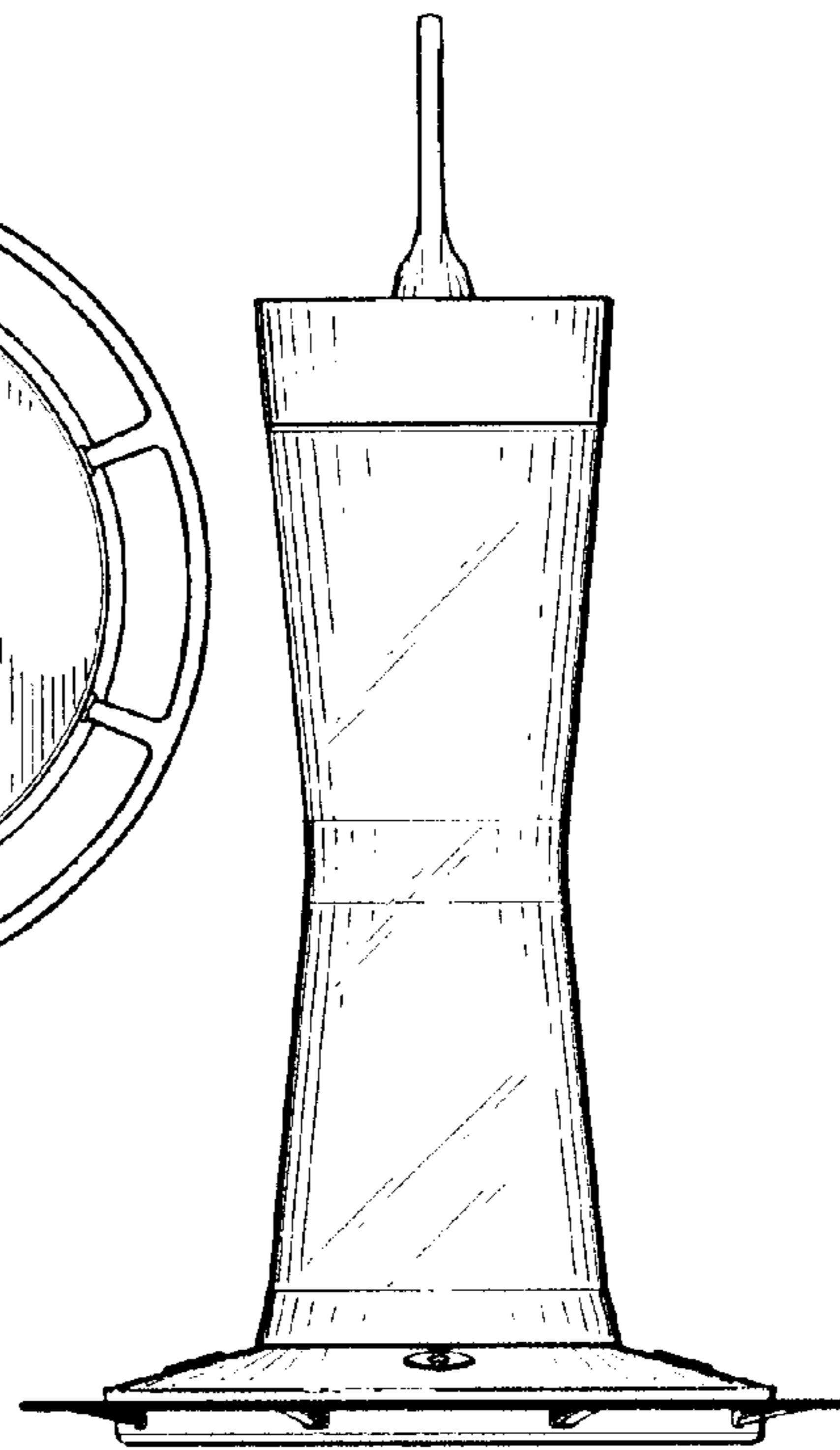


Fig. 5