

US00D509324S

(12) **United States Design Patent**  
**Wei**

(10) **Patent No.:** **US D509,324 S**

(45) **Date of Patent:** **\*\* Sep. 6, 2005**

(54) **FISH TANK**

(76) **Inventor:** **Zhihai Wei**, 475 Geary St. #A, San Francisco, CA (US) 94102

(\*\*) **Term:** **14 Years**

(21) **Appl. No.:** **29/182,161**

(22) **Filed:** **May 20, 2003**

(30) **Foreign Application Priority Data**

Apr. 4, 2003 (CN) ..... 03322004

(51) **LOC (8) Cl.** ..... **30-02**

(52) **U.S. Cl.** ..... **D30/102**

(58) **Field of Search** ..... D30/101-106;  
D21/542-546; 114/312, 339; 119/245-249,  
251, 253, 254-257, 259, 263

(56) **References Cited**

**U.S. PATENT DOCUMENTS**

- D85,201 S \* 9/1931 Pomernacki ..... D30/102
- D95,727 S \* 5/1935 Askew ..... D30/102
- D229,569 S \* 12/1973 Anielak ..... D30/102
- D259,646 S \* 6/1981 Grimberg et al. .... D21/545

- D299,565 S \* 1/1989 Lee Hsu ..... D30/102
- D324,590 S \* 3/1992 Pixler ..... D30/102
- 5,349,916 A \* 9/1994 Hillenbrand et al. .... 114/312
- D374,747 S \* 10/1996 Richman ..... D30/102
- 5,748,102 A \* 5/1998 Barron ..... 114/312
- 6,581,537 B2 \* 6/2003 McBride et al. .... 114/132
- 6,600,695 B1 \* 7/2003 Nugent et al. .... 114/312
- D493,501 S \* 7/2004 Carattini ..... D30/102

\* cited by examiner

*Primary Examiner*—Cathy Anne MacCormac  
(74) *Attorney, Agent, or Firm*—Fortune Law Group

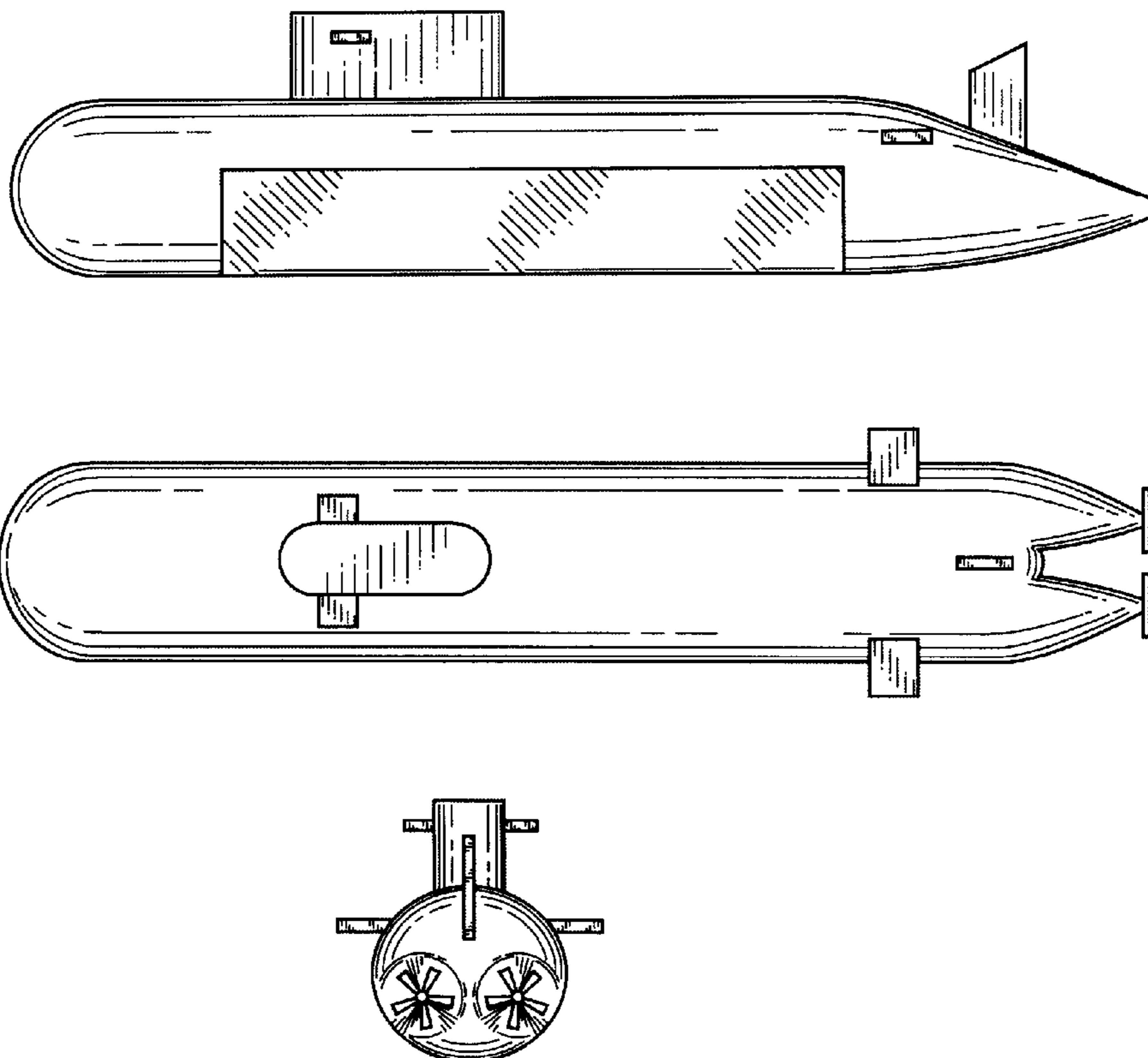
(57) **CLAIM**

I claim the ornamental design for a fish tank, as shown.

**DESCRIPTION**

FIG. 1 is a front elevational view of a fish tank showing my new design;  
 FIG. 2 is a rear elevational view thereof;  
 FIG. 3 is a top plan view thereof;  
 FIG. 4 is a bottom plan view thereof;  
 FIG. 5 is a left side elevational view thereof; and,  
 FIG. 6 is a right side elevational view thereof.

**1 Claim, 1 Drawing Sheet**



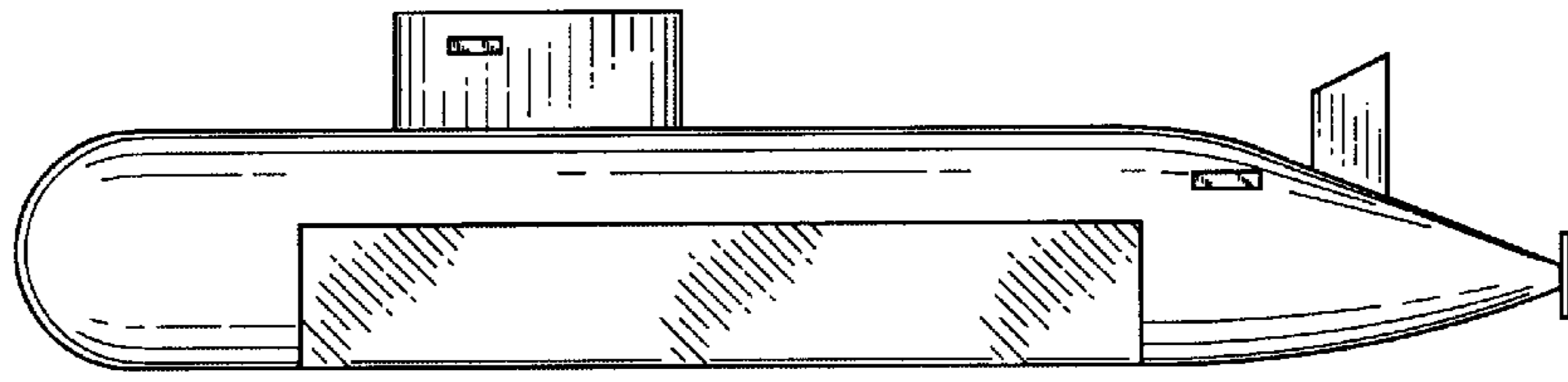


FIG. 1

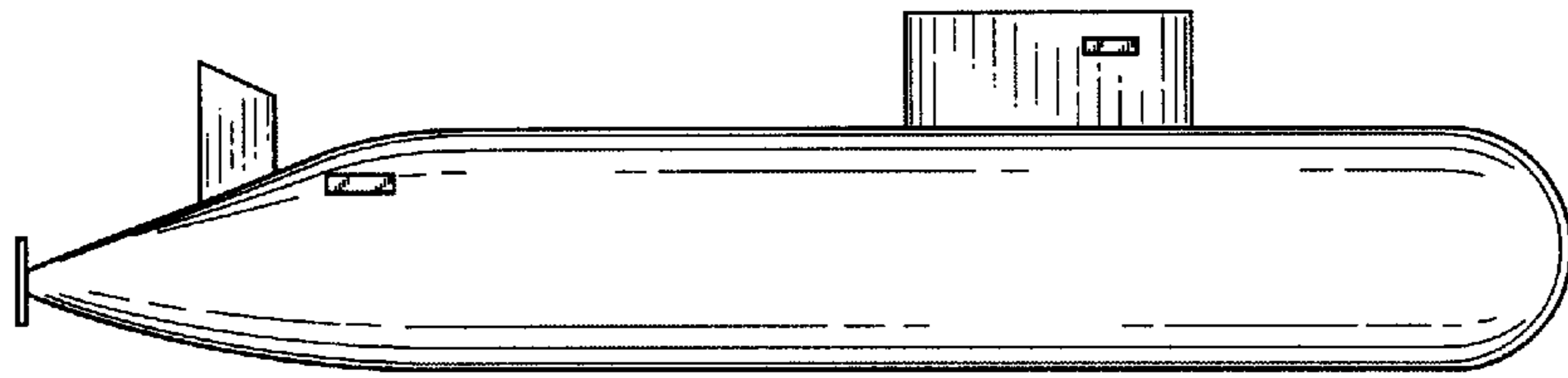


FIG. 2

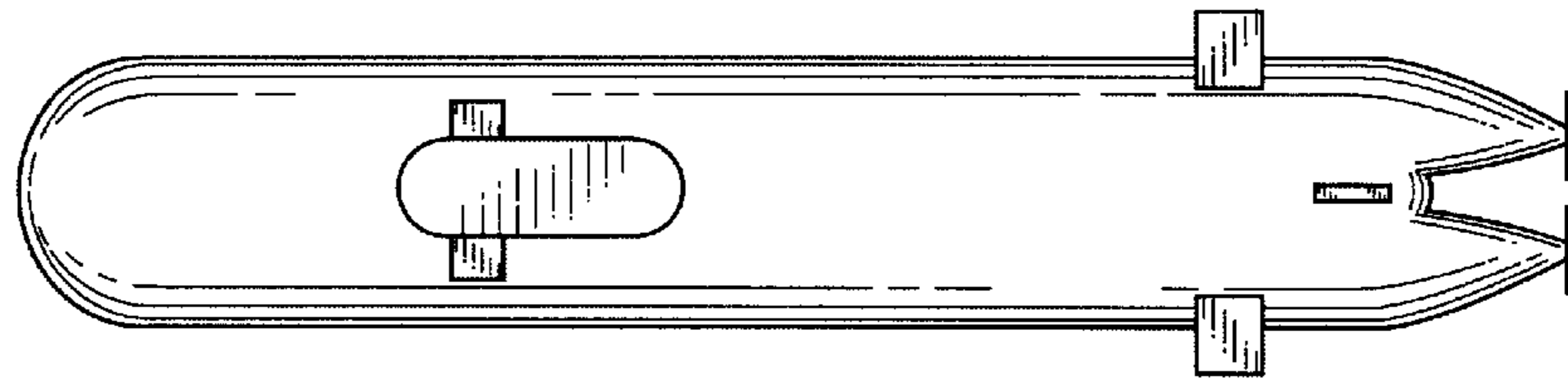


FIG. 3

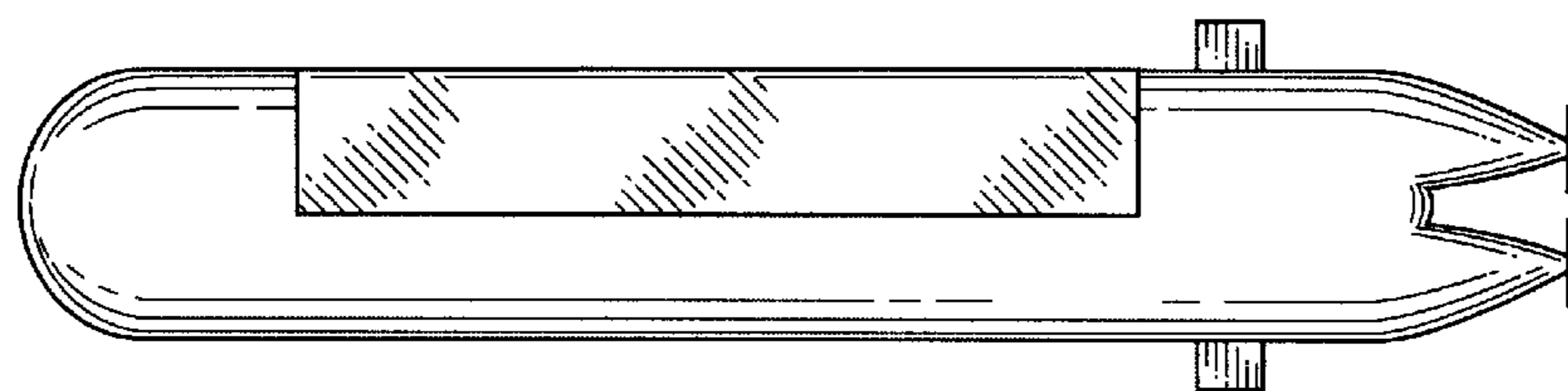


FIG. 4

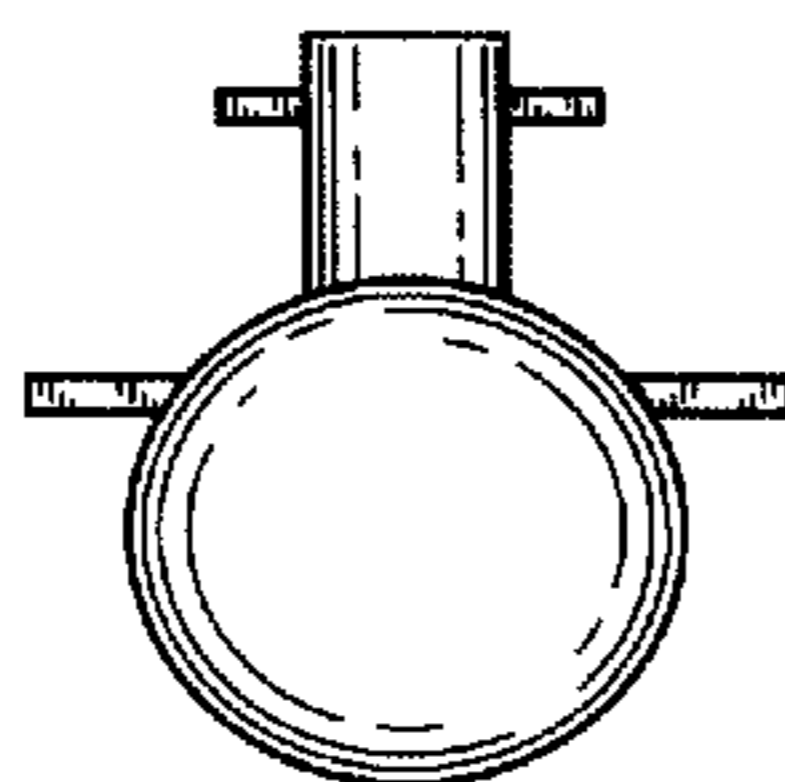


FIG. 5

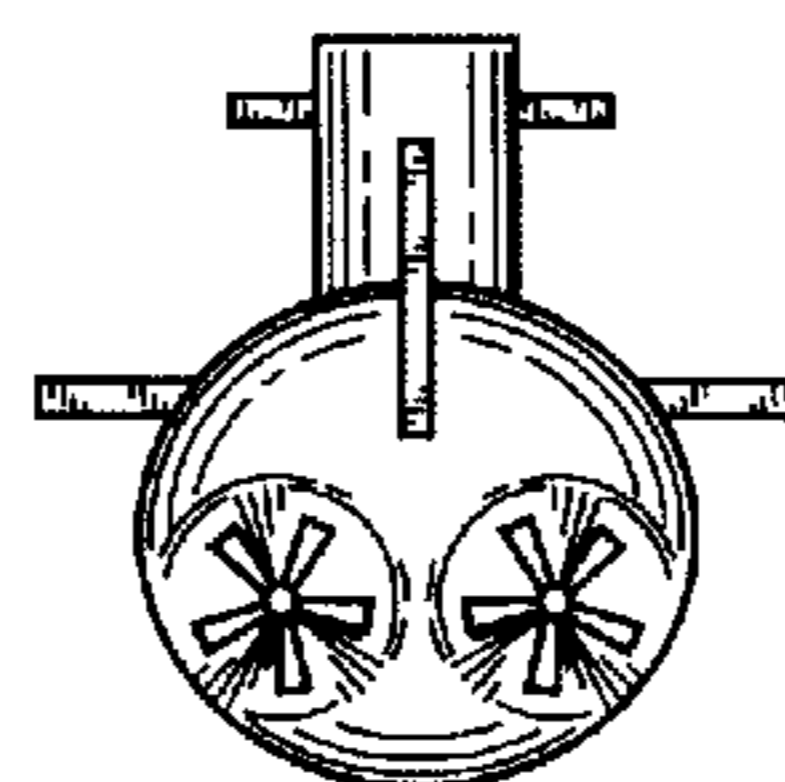


FIG. 6