



US00D509323S

(12) **United States Design Patent**  
**Emilsson**

(10) **Patent No.: US D509,323 S**  
(45) **Date of Patent: \*\* Sep. 6, 2005**

(54) **HEARING PROTECTOR**

(75) **Inventor: Niklas Emilsson, Rydaholm (SE)**

(73) **Assignee: Peltor AB (SE)**

(\*\*) **Term: 14 Years**

(21) **Appl. No.: 29/199,330**

(22) **Filed: Feb. 12, 2004**

(30) **Foreign Application Priority Data**

Aug. 15, 2003 (EM) ..... 71675

(51) **LOC (8) Cl. .... 29-02**

(52) **U.S. Cl. .... D29/112**

(58) **Field of Search** ..... D29/112, 122;  
2/209, 174; 128/857, 864, 866; 181/129;  
381/72, 370-372; D14/205-206, 223

(56) **References Cited**

**U.S. PATENT DOCUMENTS**

D298,670 S \* 11/1988 Palmaer ..... D29/112  
D313,092 S \* 12/1990 Nilsson ..... D29/112

D403,126 S \* 12/1998 Scanlon et al. .... D29/112  
D411,200 S \* 6/1999 Almquist ..... D14/192  
D413,413 S \* 8/1999 Dillon et al. .... D29/112  
D434,191 S \* 11/2000 Emilsson ..... D29/112  
D497,608 S \* 10/2004 Birgersson ..... D14/205

\* cited by examiner

*Primary Examiner*—Ruth McInroy

(74) *Attorney, Agent, or Firm*—Cantor Colburn LLP

(57) **CLAIM**

I claim the ornamental design for a hearing protector, as shown and described.

**DESCRIPTION**

FIG. 1 is a front perspective view of the hearing protector, showing my new design;  
FIG. 2 is a front view thereof;  
FIG. 3 is a right side view thereof;  
FIG. 4 is a left side view thereof;  
FIG. 5 is a bottom view thereof; and,  
FIG. 6 is a top view thereof.

**1 Claim, 2 Drawing Sheets**

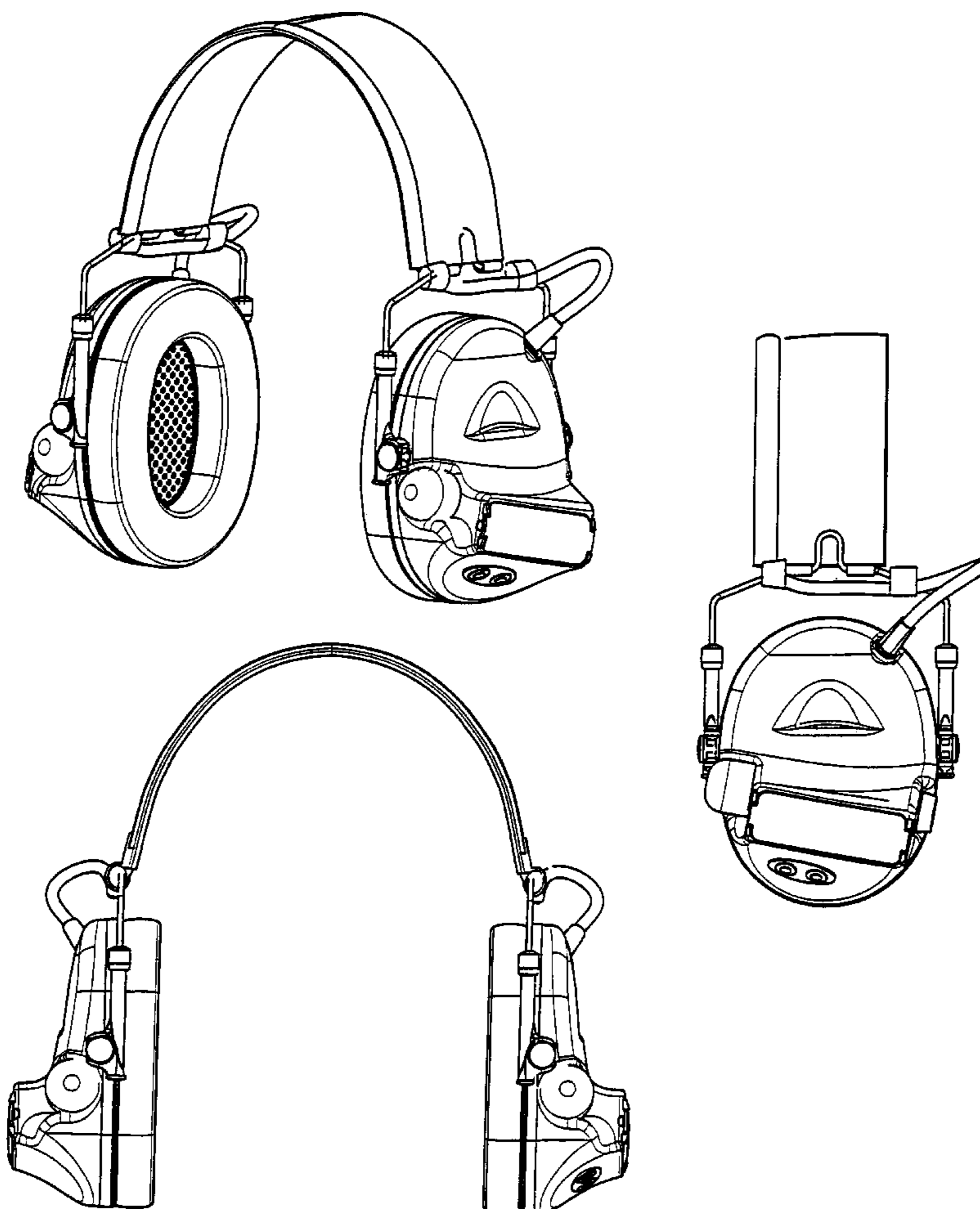


FIG. 1

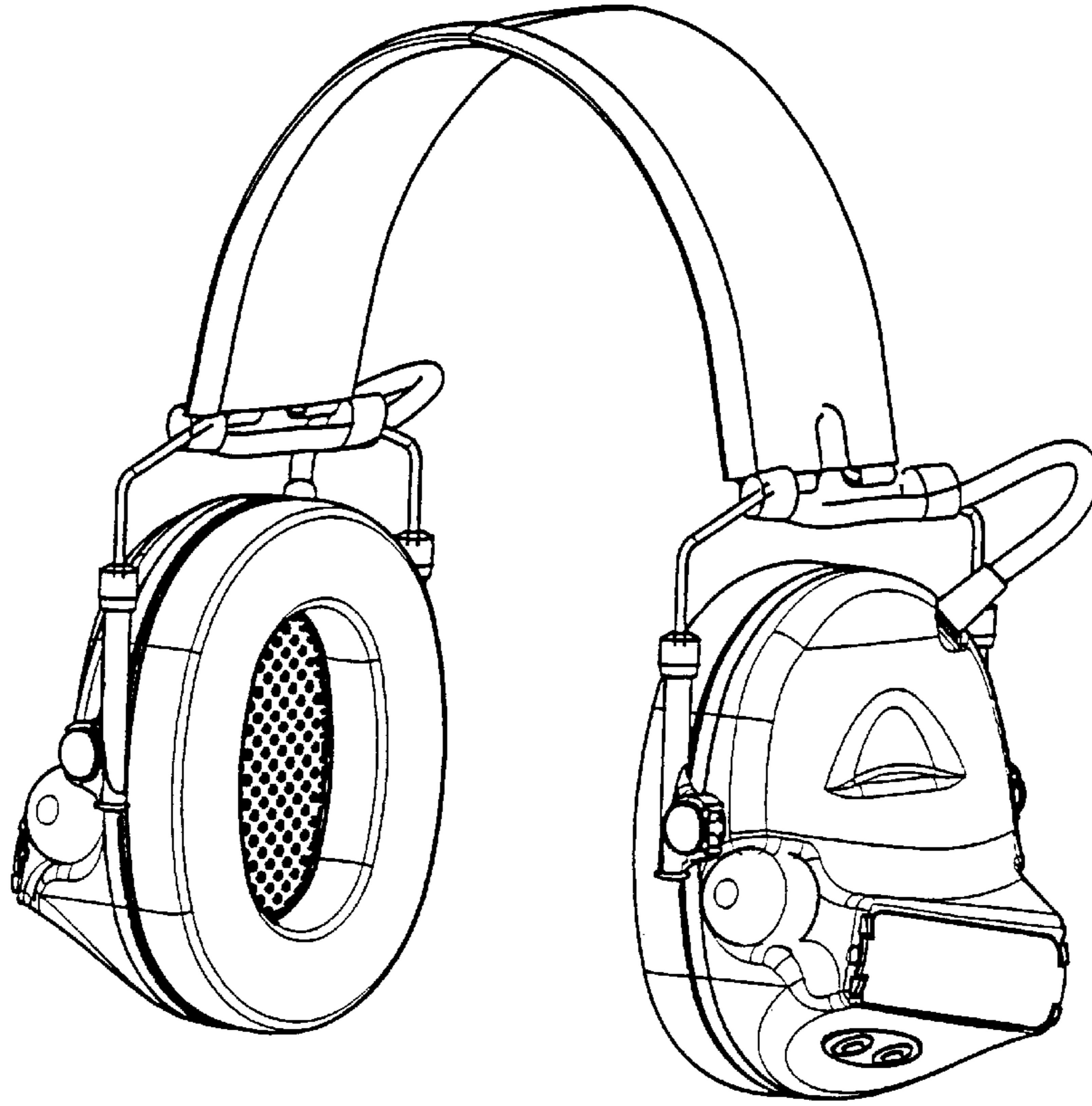


FIG. 2

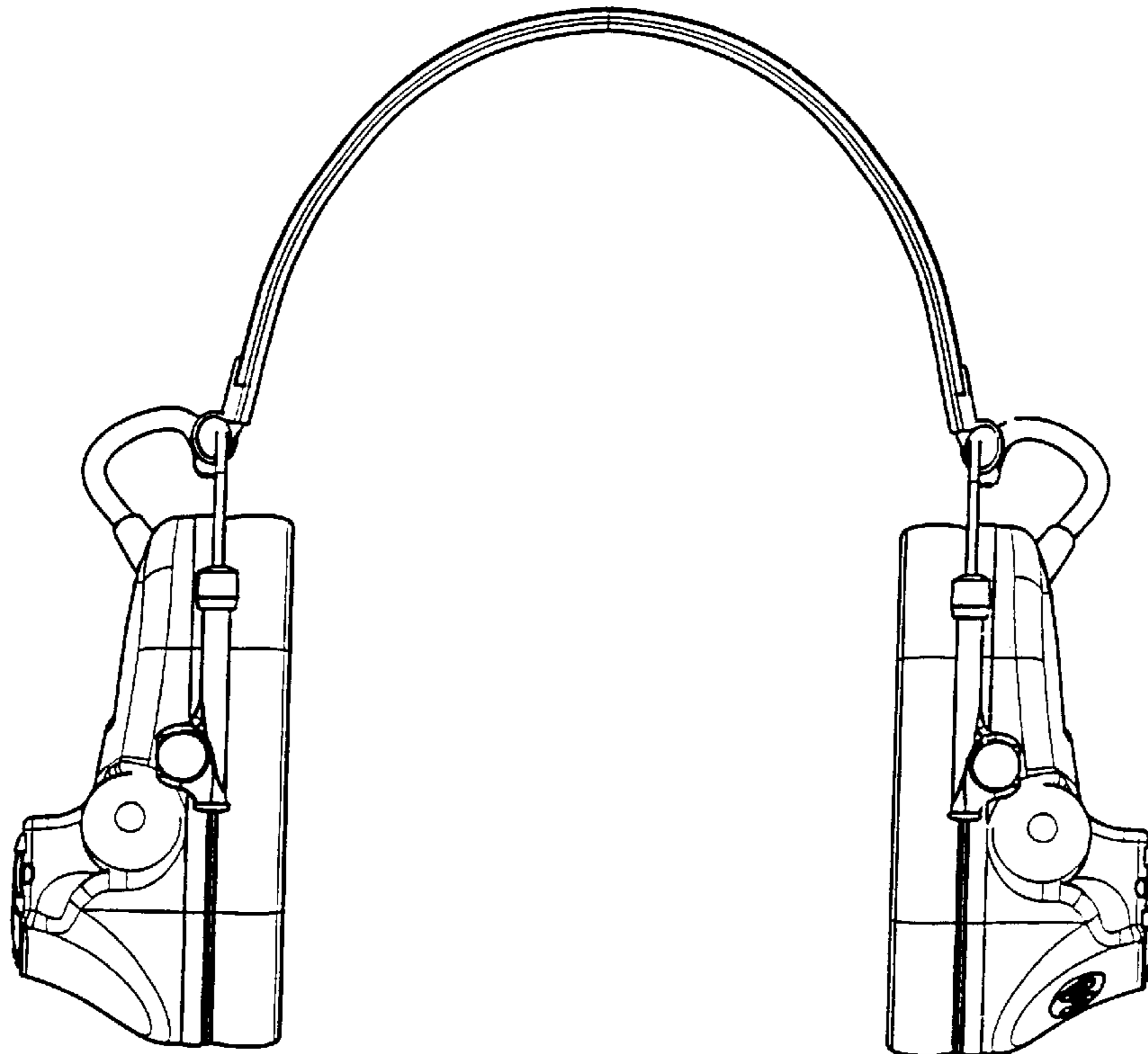


FIG. 3

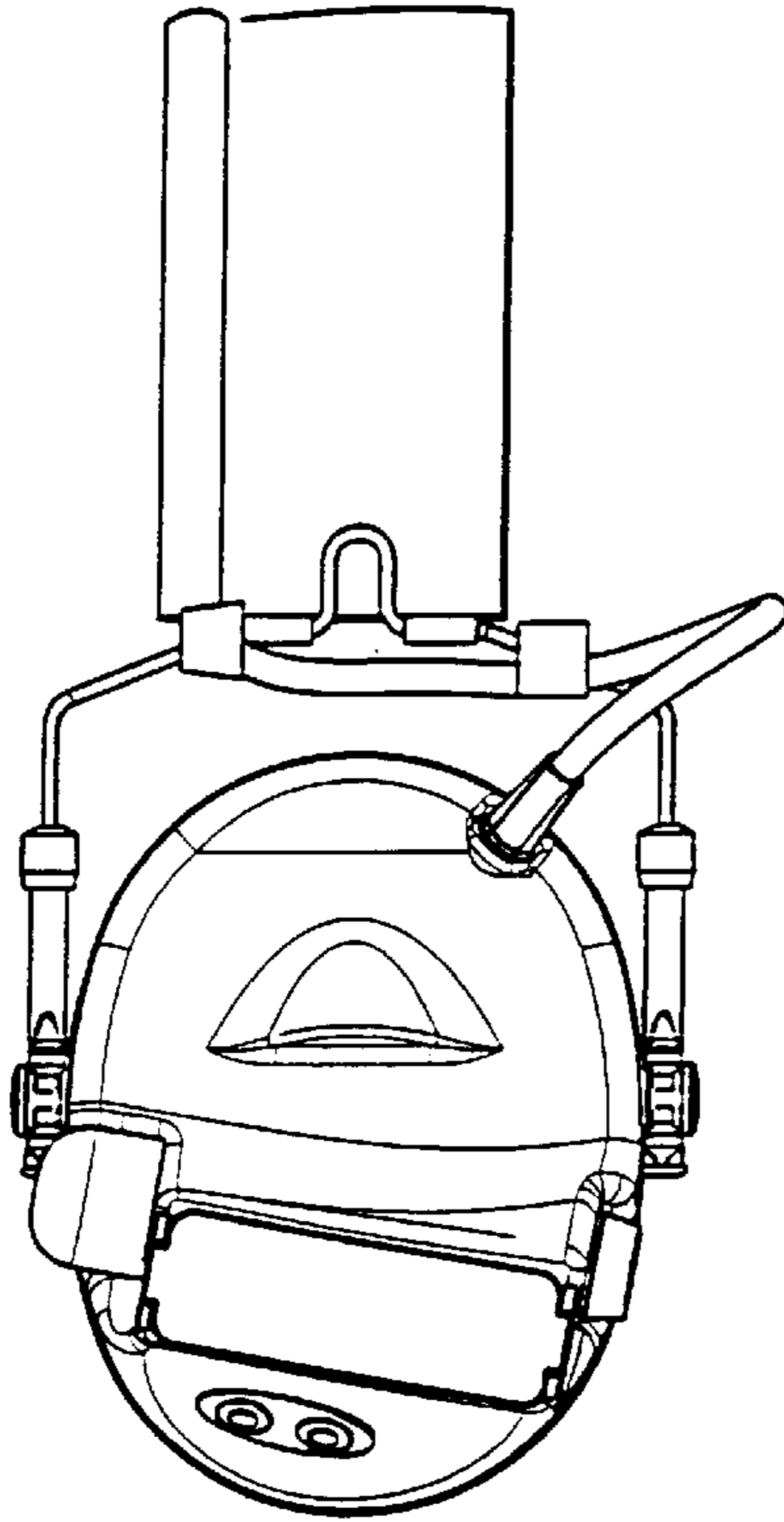


FIG. 4

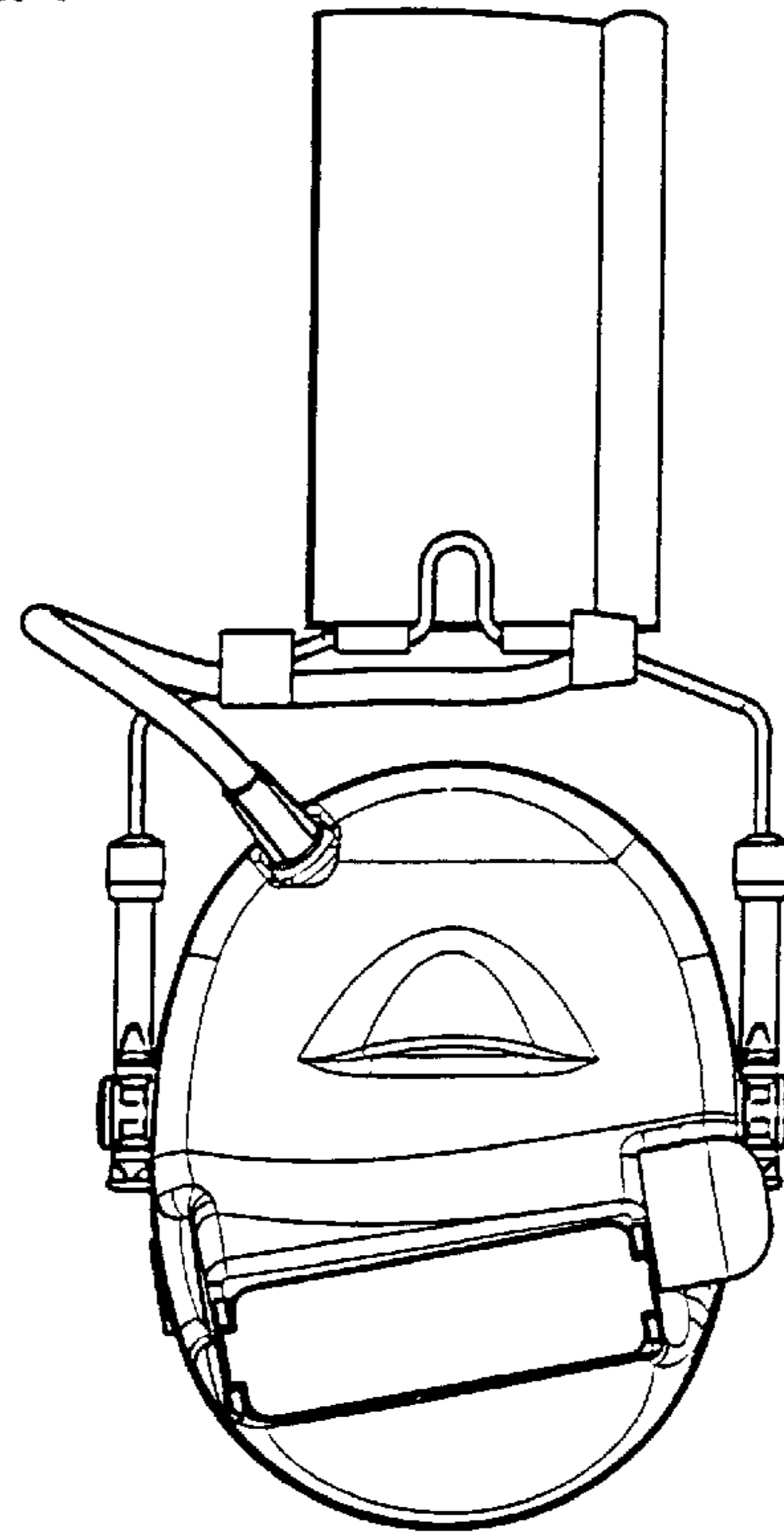


FIG. 5

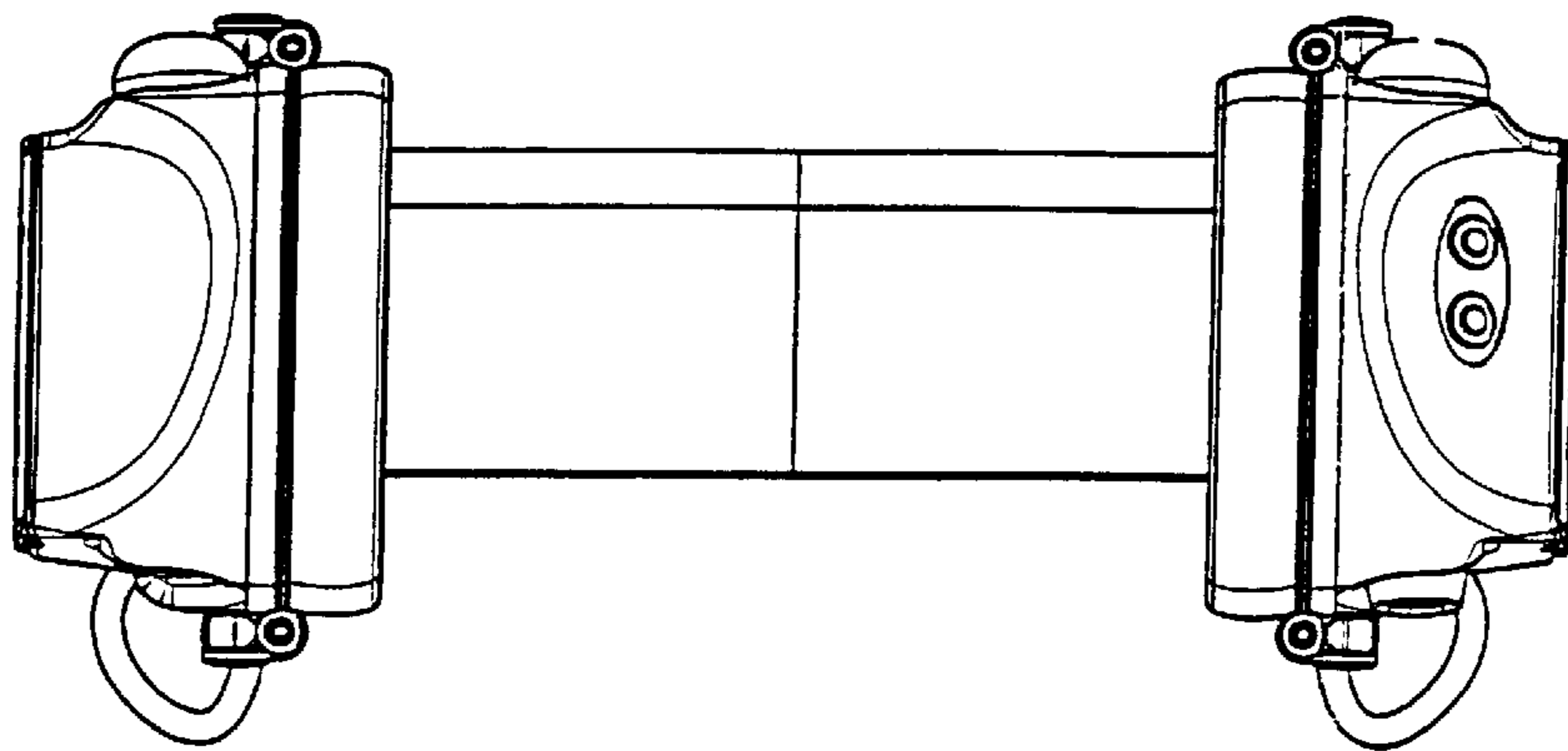


FIG. 6

