

US00D509314S

(12) **United States Design Patent** (10) **Patent No.:** **US D509,314 S**  
**Rashidi** (45) **Date of Patent:** **\*\* Sep. 6, 2005**

(54) **MULTI-STEPPED DROP LENS TRIM**

*Primary Examiner*—Clare E Heflin

(76) **Inventor:** **Hamid Rashidi**, 139 N. Clark Dr.,  
Beverly Hills, CA (US) 90211

(74) *Attorney, Agent, or Firm*—Thomas I. Rozsa; Tony D. Chen

(\*\*) **Term:** **14 Years**

(57) **CLAIM**

(21) **Appl. No.:** **29/208,295**

The ornamental design for a multi-stepped drop lens trim, as shown and described.

(22) **Filed:** **Jun. 24, 2004**

**DESCRIPTION**

(51) **LOC (8) Cl.** ..... **26-05**

(52) **U.S. Cl.** ..... **D26/74; D26/120**

(58) **Field of Search** ..... D26/74, 118, 120,  
D26/122–124; 362/147, 296, 300, 235,  
301, 307, 310, 311, 347–350, 364–366

FIG. 1 is a perspective view of the multi-stepped drop lens trim, showing my design;

FIG. 2 is a top plan view;

FIG. 3 is a bottom plan view;

FIG. 4 is a front elevational view;

FIG. 5 is a rear elevational view;

FIG. 6 is a side elevational view when viewed from the right side; and,

FIG. 7 is a side elevational view when viewed from the left side.

(56) **References Cited**

**U.S. PATENT DOCUMENTS**

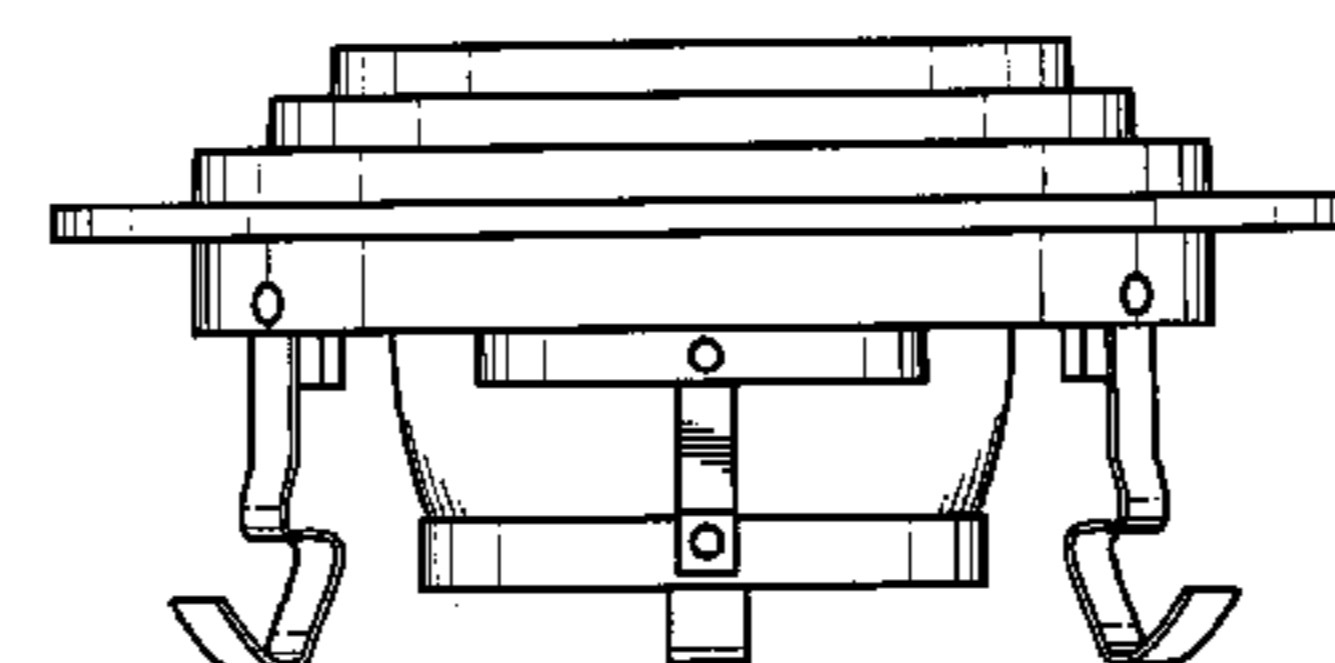
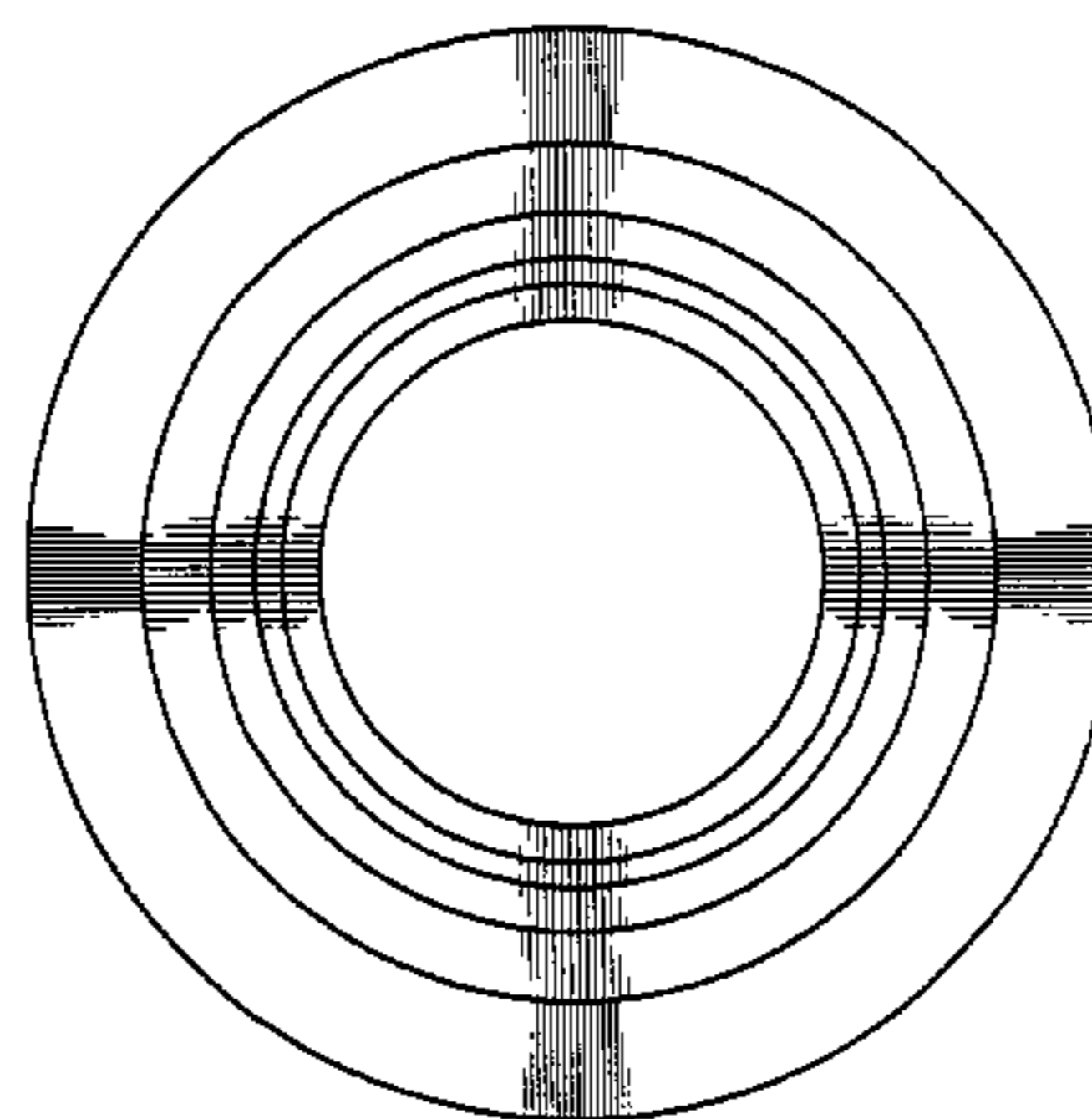
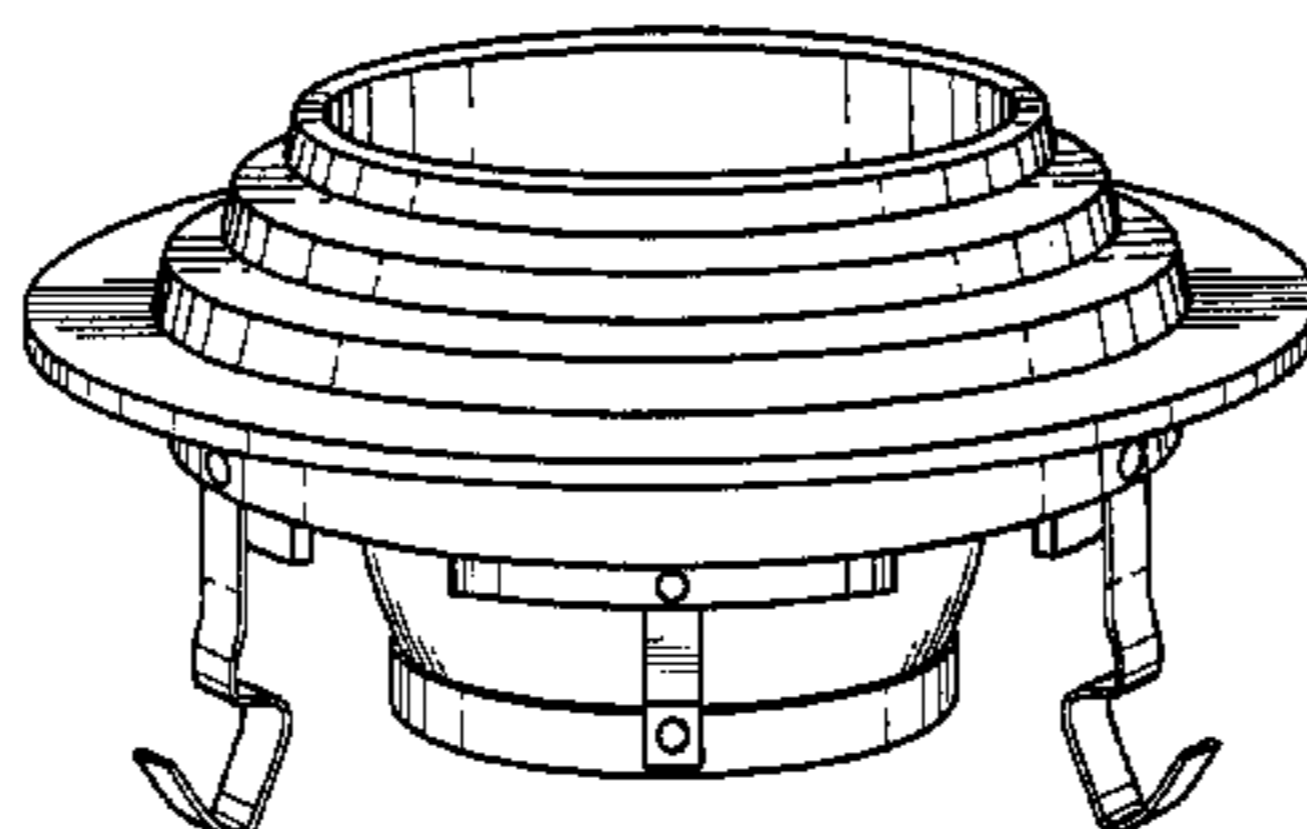
D325,651 S	*	4/1992	Sonneman	.....	D26/152
D347,292 S	*	5/1994	Roos et al.	.....	D26/118
D387,466 S	*	12/1997	Lecluze	.....	D26/118
D476,108 S	*	6/2003	Lecluze	.....	D26/74
2002/0085374 A1	*	7/2002	Anderson	.....	362/147

**OTHER PUBLICATIONS**

Progress Lighting Product Catalog No. 126 (C)2004. Items P3350–30, P3346–30 and P3348–30 on p. 288. (1 page).\*

\* cited by examiner

**1 Claim, 2 Drawing Sheets**



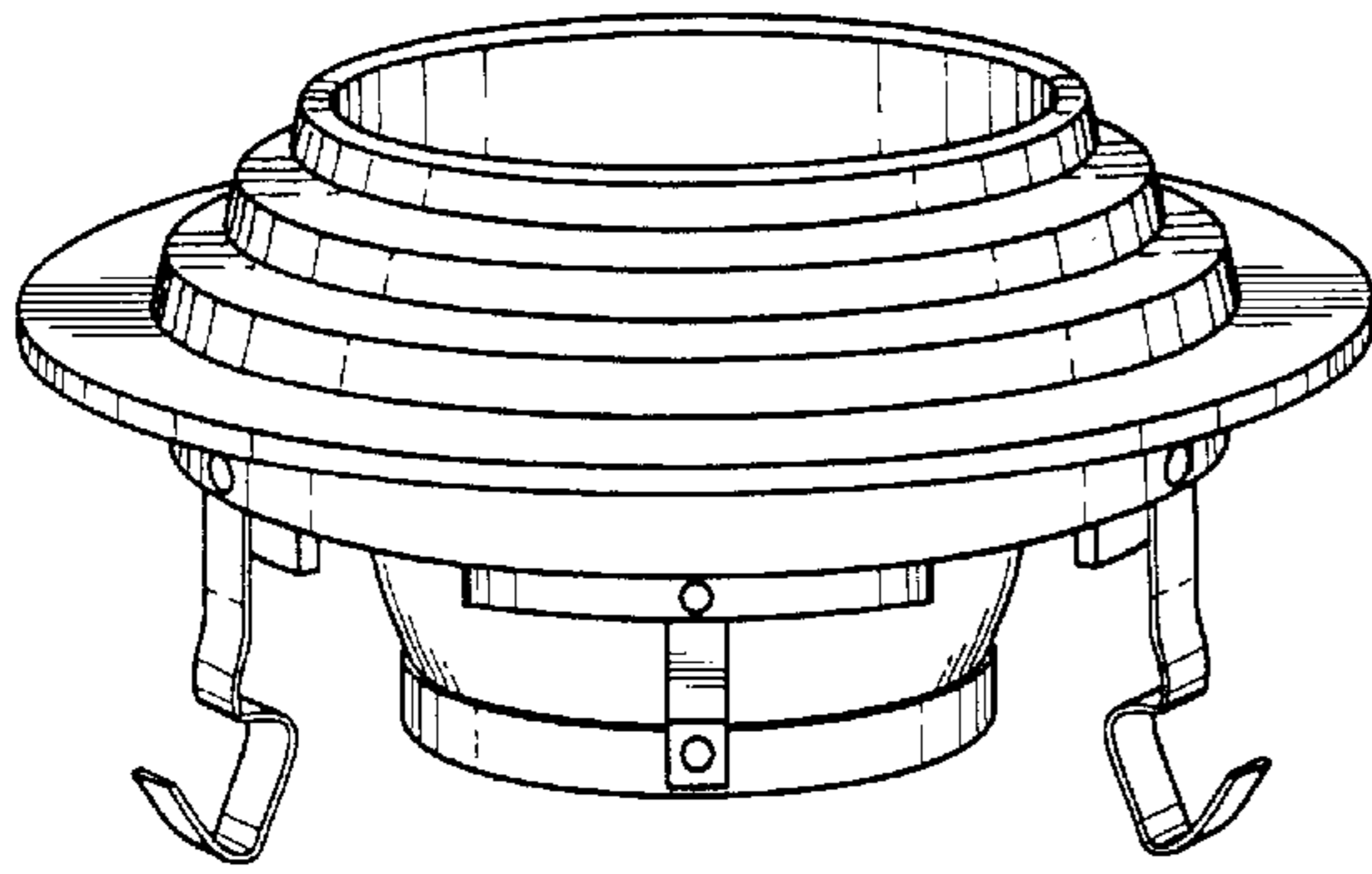


FIG.1

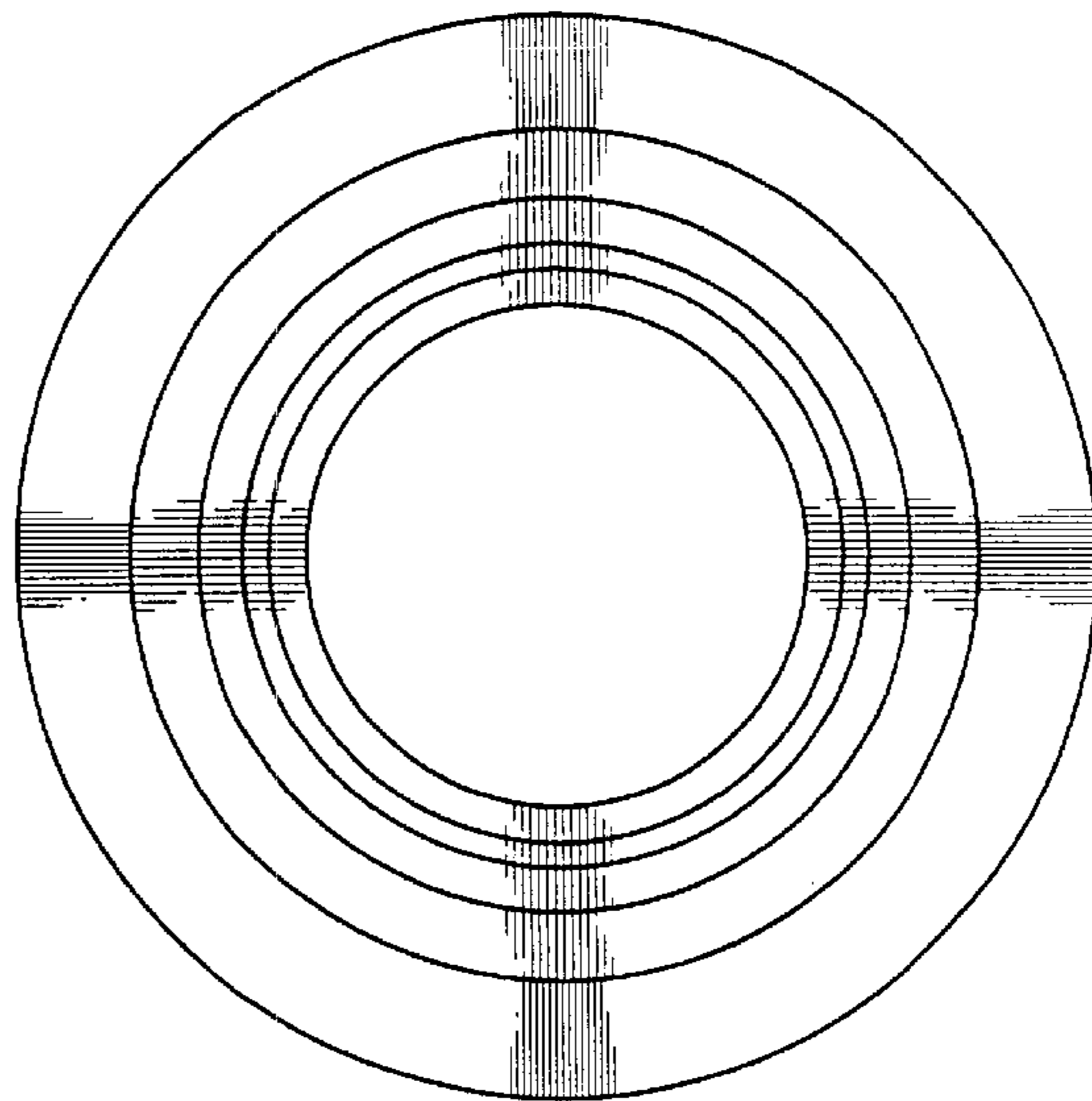


FIG.2

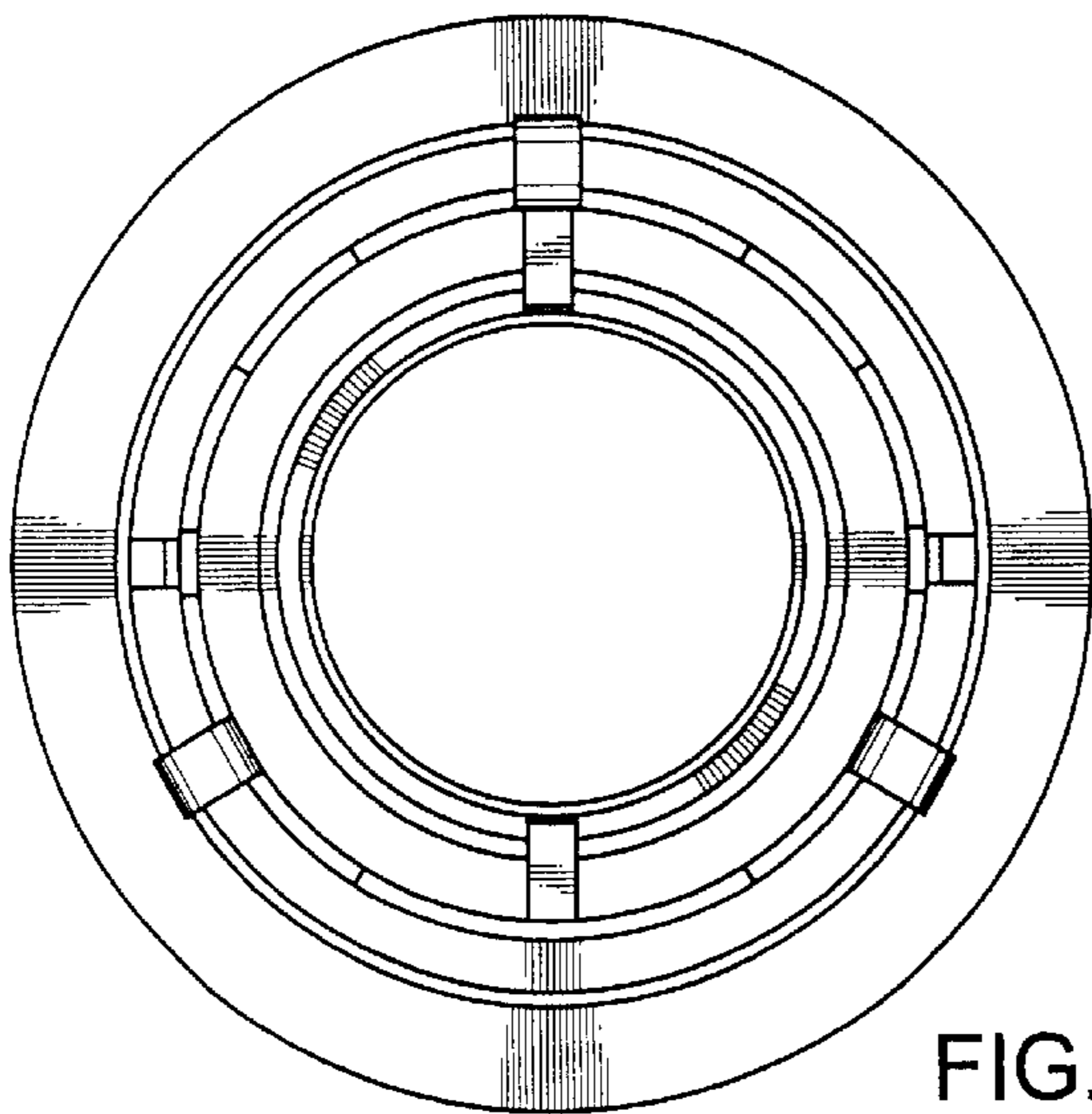


FIG.3

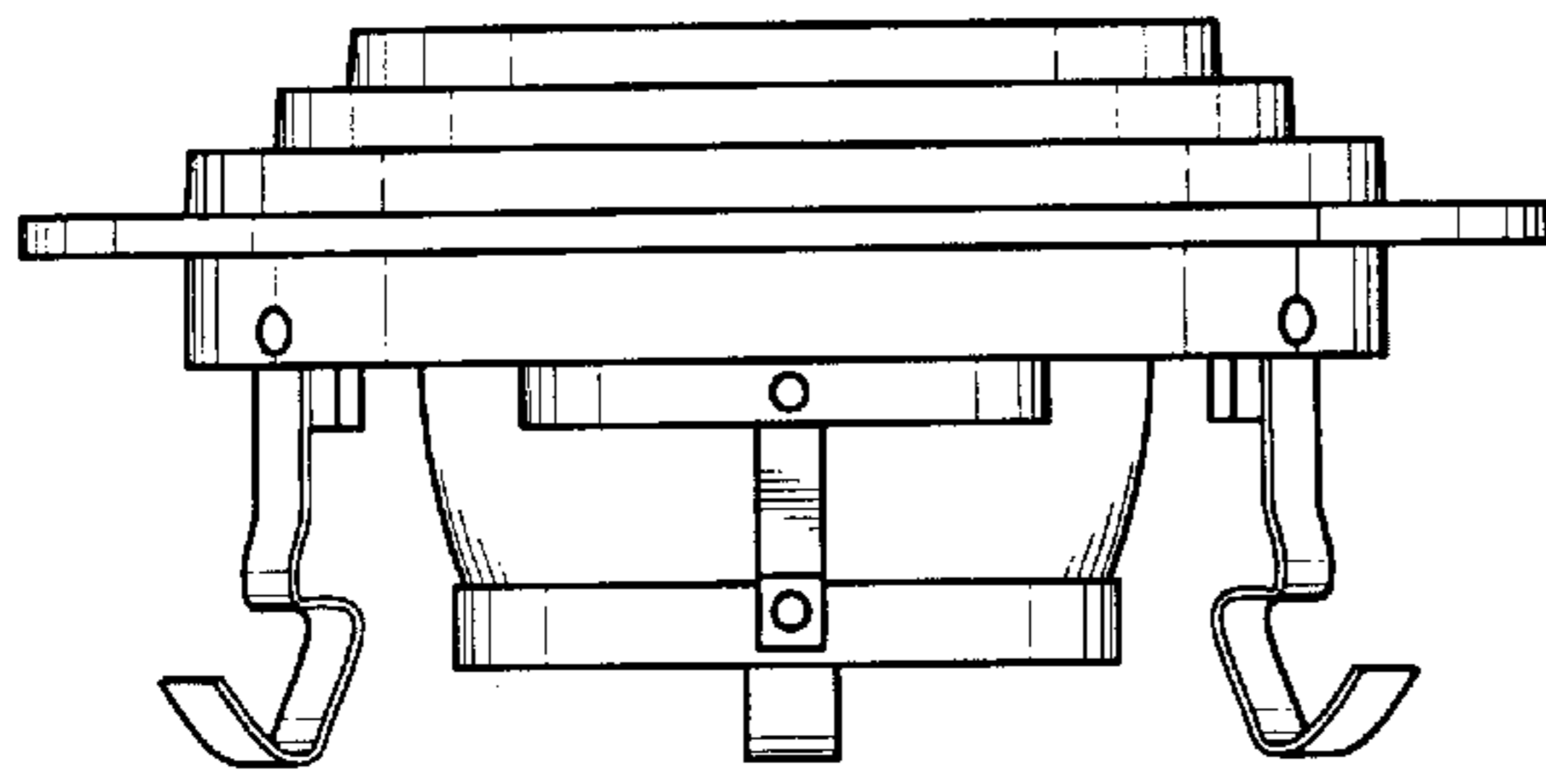


FIG. 4

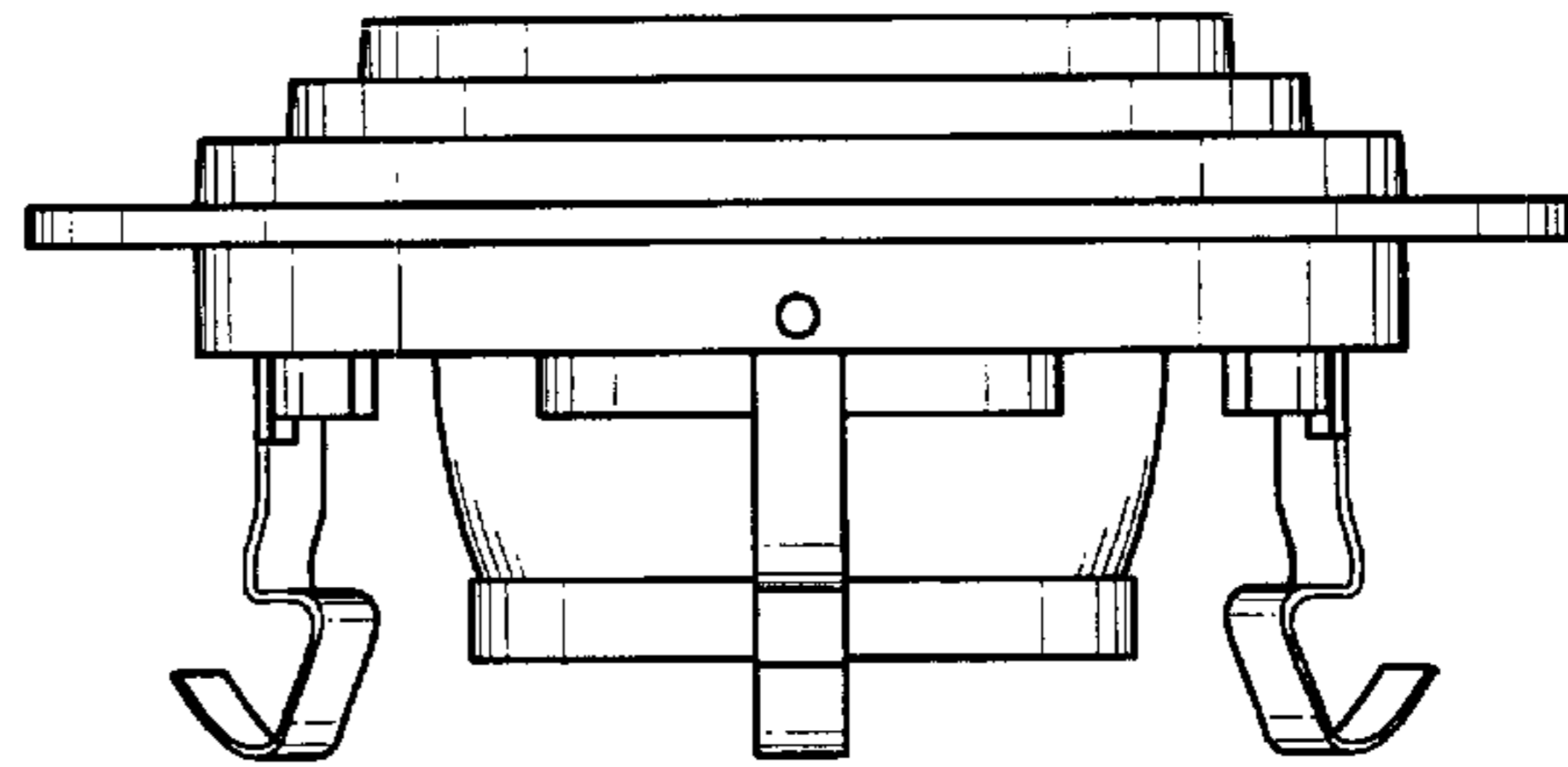


FIG. 5

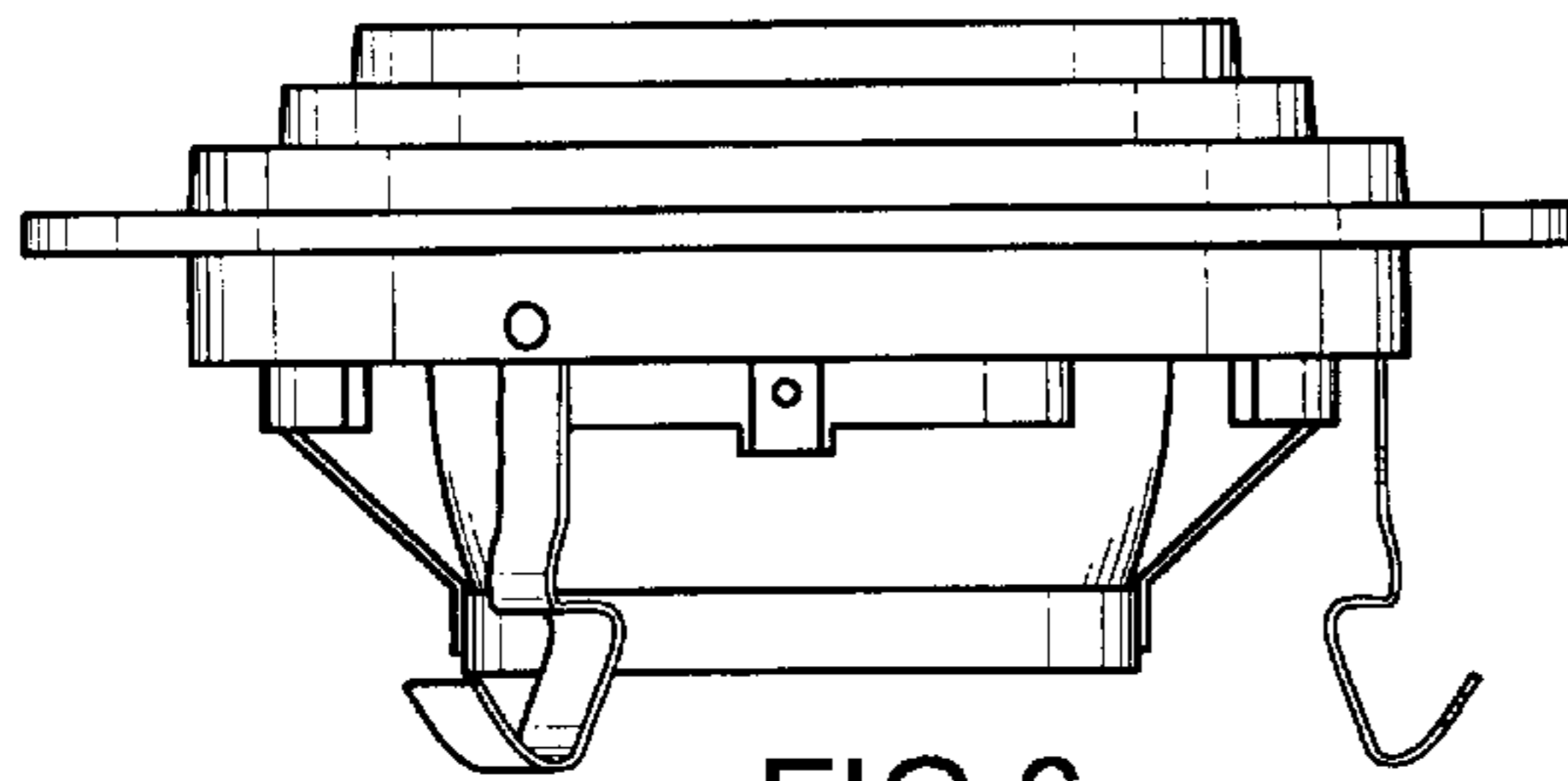


FIG. 6

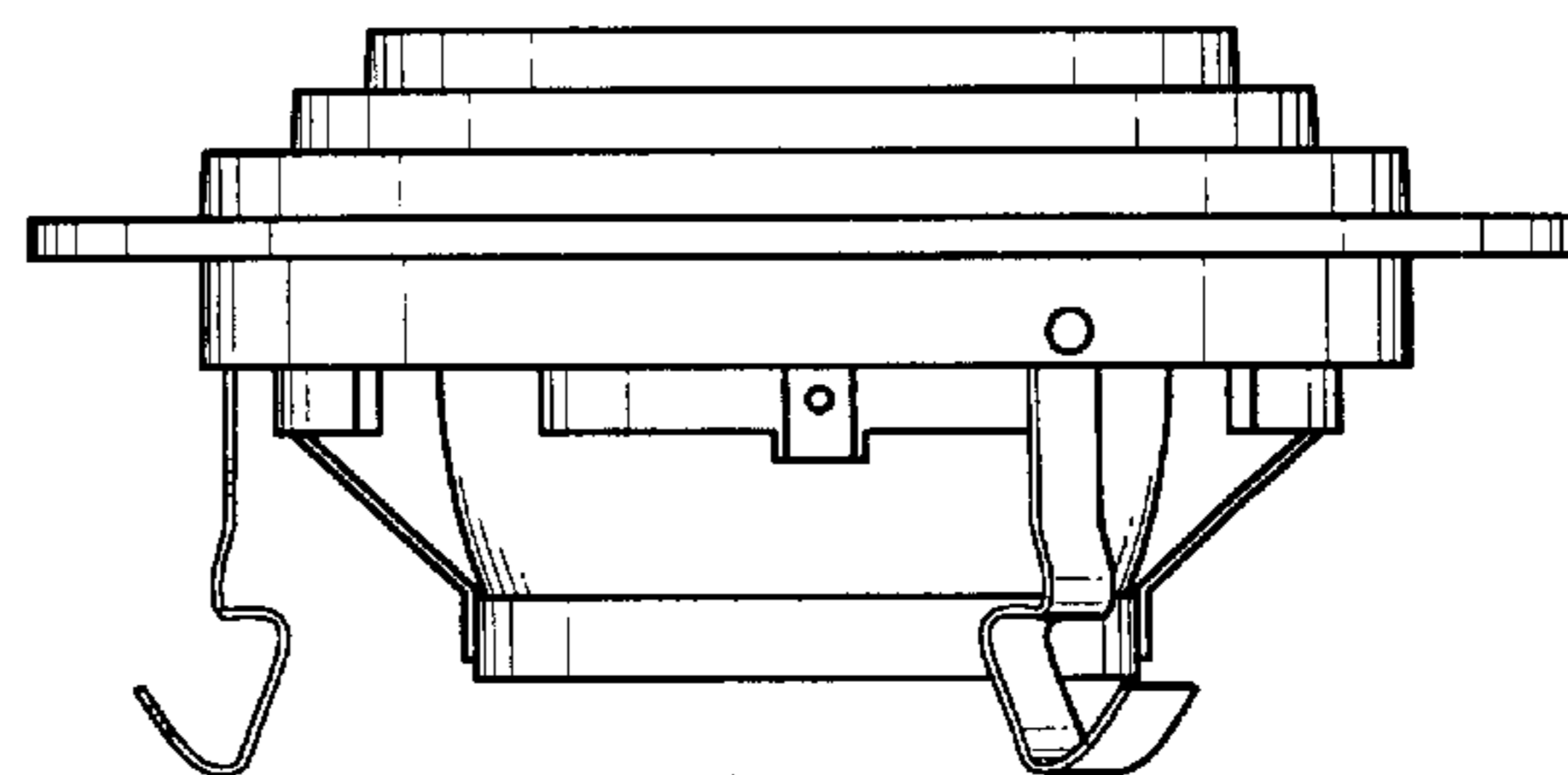


FIG. 7