



US00D509313S

(12) **United States Design Patent** (10) **Patent No.:** **US D509,313 S**
Friedman et al. (45) **Date of Patent:** **** Sep. 6, 2005**

(54) **LIGHT FIXTURE**

(75) Inventors: **Frank Friedman**, Mill Valley, CA (US); **William T. Gendron**, Alameda, CA (US)

(73) Assignee: **Acuity Brands, Inc.**, Atlanta, GA (US)

(**) Term: **14 Years**

(21) Appl. No.: **29/210,430**

(22) Filed: **Jul. 29, 2004**

(51) **LOC (8) Cl.** **26-05**

(52) **U.S. Cl.** **D26/71; D26/87; D26/92**

(58) **Field of Search** D26/67, 68, 71, D26/72, 80-82, 85-87, 92, 128-132, 145-147, 138, 155, 156; 362/147, 153, 153.1, 370, 431, 432, 404-408; 248/219.2

(56) **References Cited**

U.S. PATENT DOCUMENTS

D178,075 S	*	6/1956	Manley	D26/104
3,007,038 A	*	10/1961	Anisfield	362/243
D201,765 S	*	7/1965	Mox	D26/71
D213,391 S	*	2/1969	Bruno	D26/86
D236,024 S	*	7/1975	Stentz	D26/67
D239,460 S	*	4/1976	Schacht	D26/84
D308,261 S	*	5/1990	Shemitz	D26/87
D320,461 S	*	10/1991	Pagani et al.	D26/87
D330,779 S	*	11/1992	Dieperink et al.	D26/84
D352,797 S	*	11/1994	Mehaffey	D26/85
D381,762 S	*	7/1997	Compton	D26/87
D385,643 S	*	10/1997	Brohard et al.	D26/71
D419,258 S	*	1/2000	Pfister	D26/87

OTHER PUBLICATIONS

U.S. Appl. No. 29/194,225, filed Nov. 19, 2003.

U.S. Appl. No. 29/194,854, filed Dec. 1, 2003.

U.S. Appl. No. 29/194,997, filed Dec. 3, 2003.

* cited by examiner

Primary Examiner—Clare E Heflin

(74) *Attorney, Agent, or Firm*—Fulbright & Jaworski L.L.P.

(57) **CLAIM**

The ornamental design for a light fixture, as shown and described.

DESCRIPTION

FIG. 1 is a perspective view of a first embodiment of a light fixture of our design.

FIG. 2 is a side view of the light fixture of FIG. 1, the other side view being a mirror image of the side view of FIG. 2.

FIG. 3 is a back view of the light fixture of FIG. 1.

FIG. 4 is a front view of the light fixture of FIG. 1.

FIG. 5 is a top view of the light fixture of FIG. 1.

FIG. 6 is a bottom view of the light fixture of FIG. 1.

FIG. 7 is a perspective view of a second embodiment of a light fixture of our design.

FIG. 8 is a side view of the light fixture of FIG. 7, the other side view being a mirror image of the side view of FIG. 8.

FIG. 9 is a back view of the light fixture of FIG. 7.

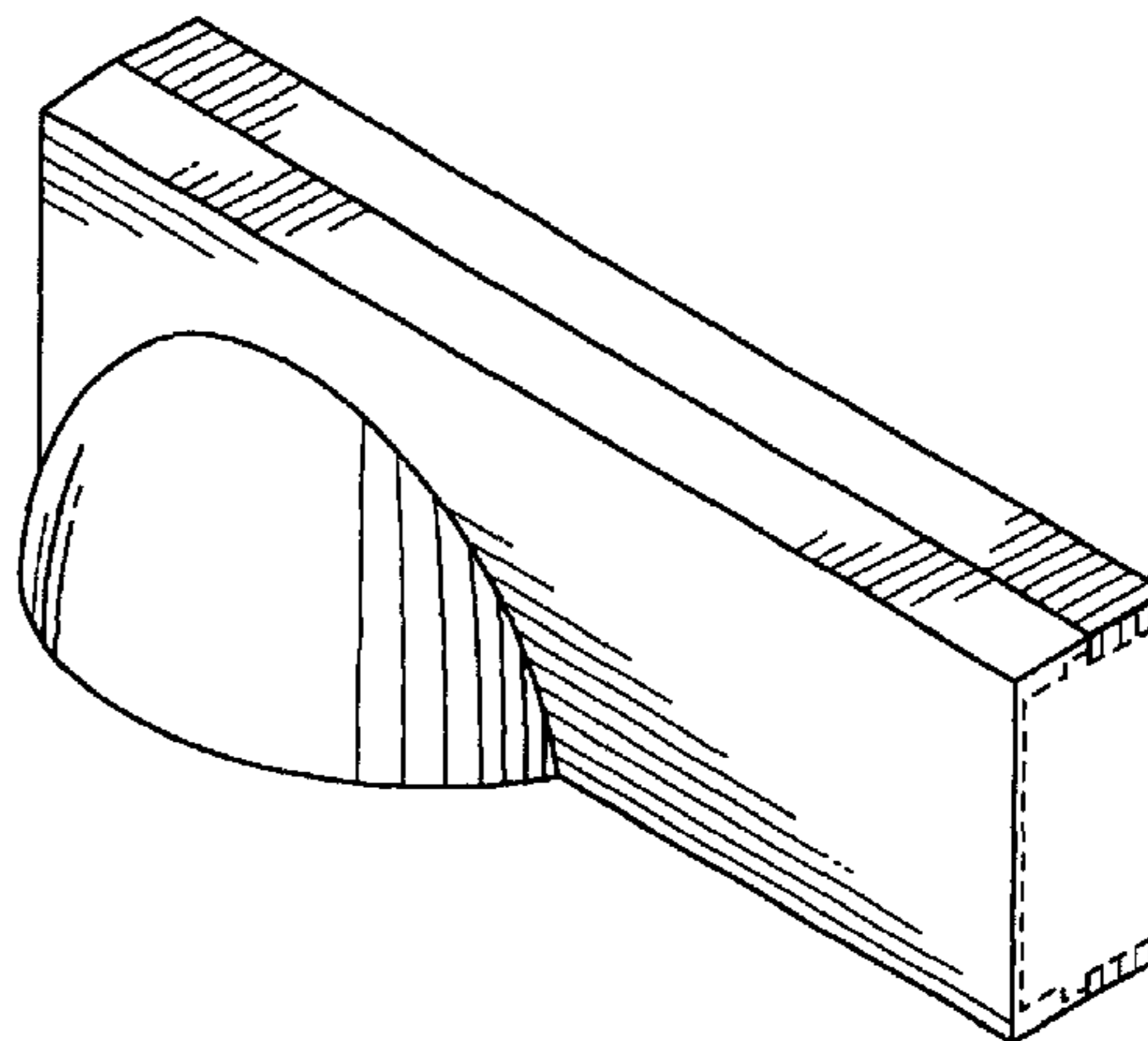
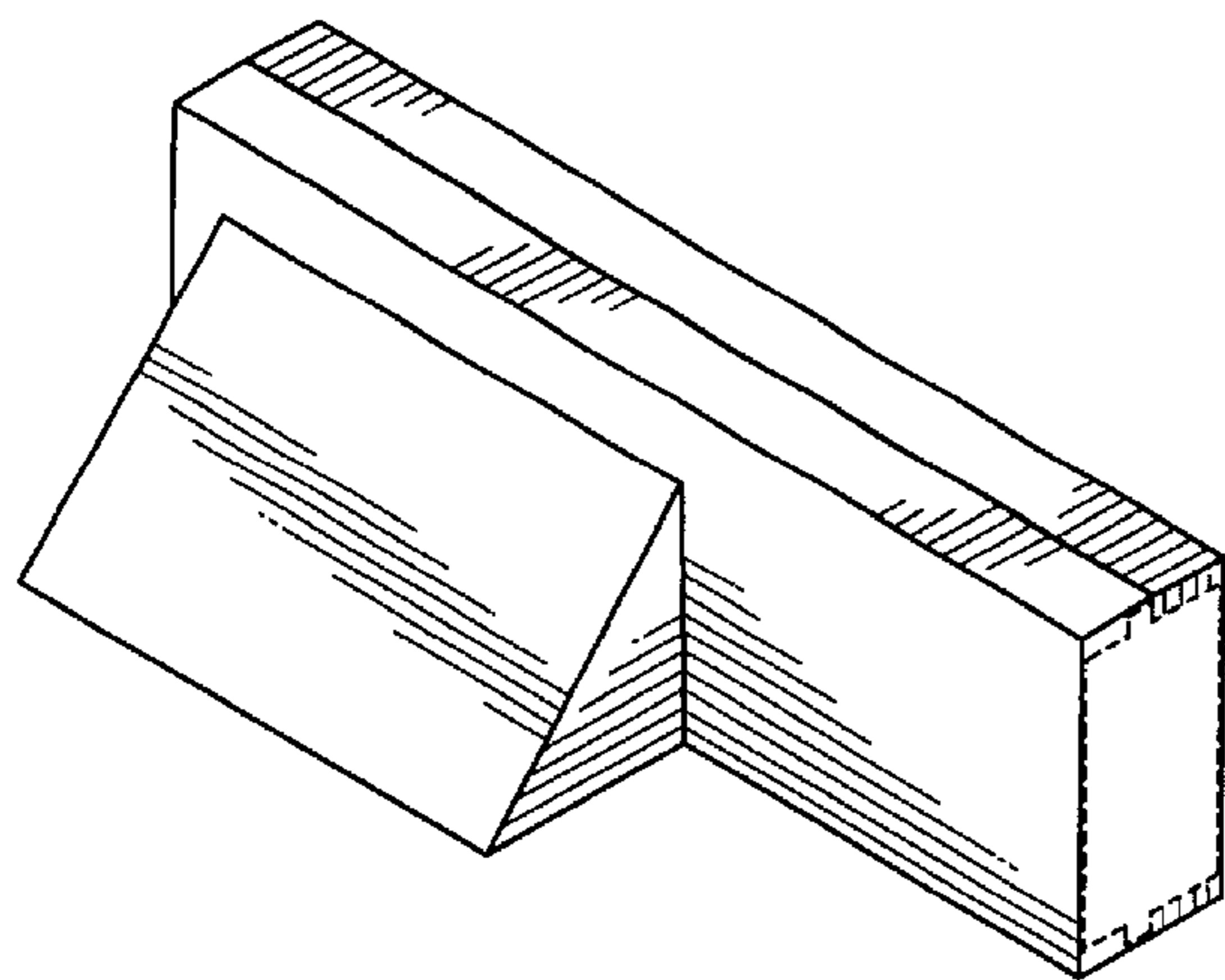
FIG. 10 is a front view of the light fixture of FIG. 7.

FIG. 11 is a top view of the light fixture of FIG. 7; and,

FIG. 12 is a bottom view of the light fixture of FIG. 7.

The portion in phantom line and the area circumscribed thereby of each embodiment of the light fixture is not part of the design.

1 Claim, 2 Drawing Sheets



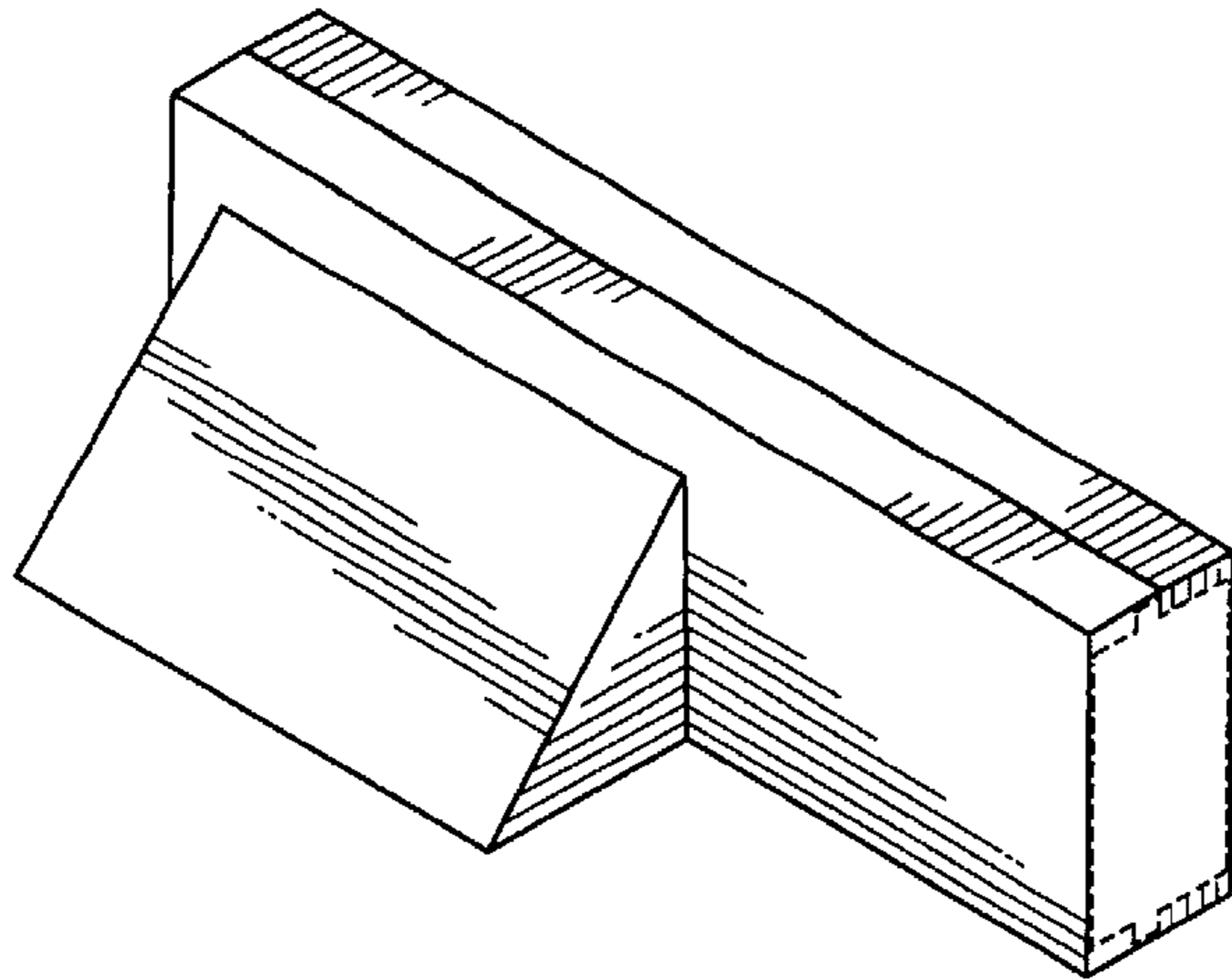


Fig. 1

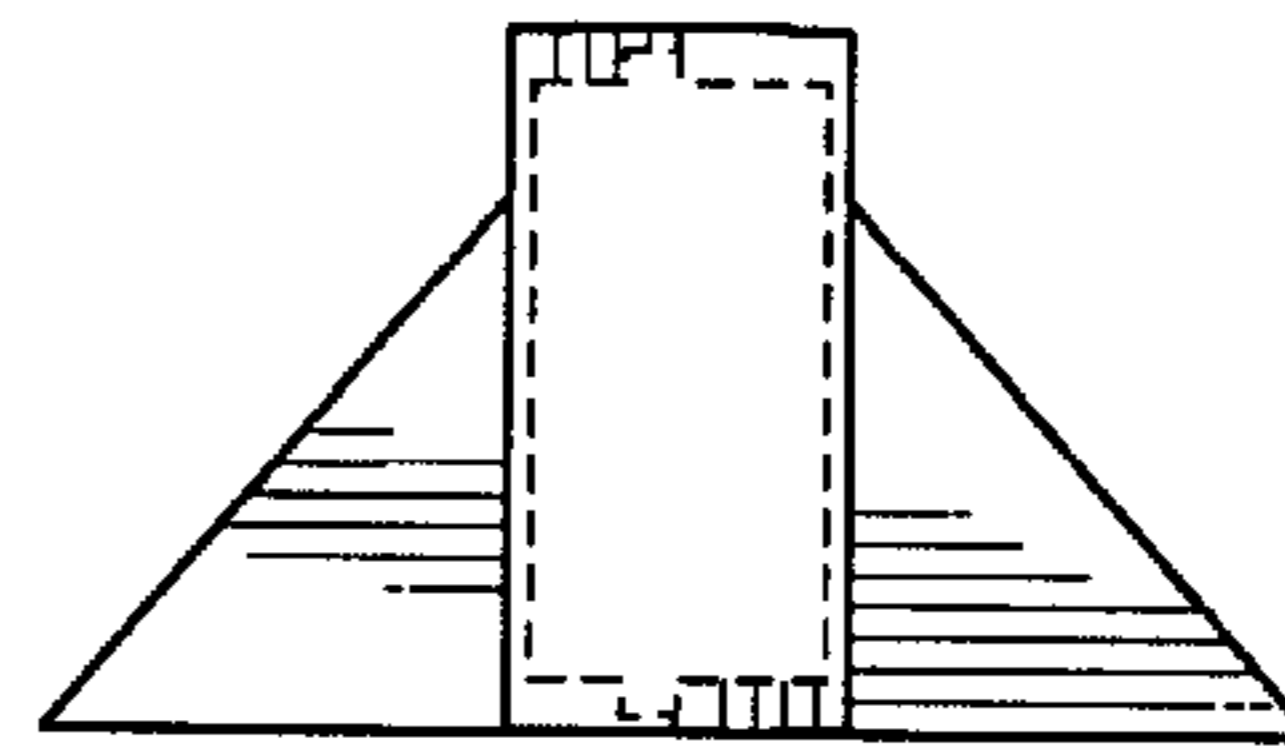


Fig. 3

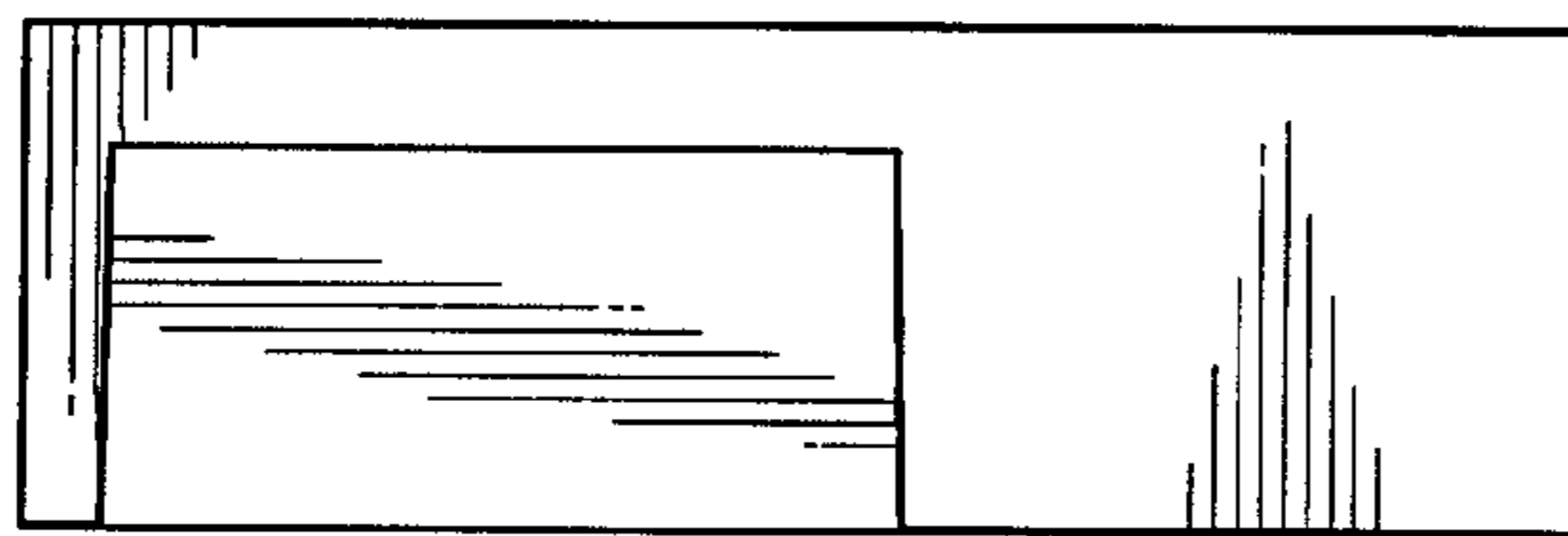


Fig. 2

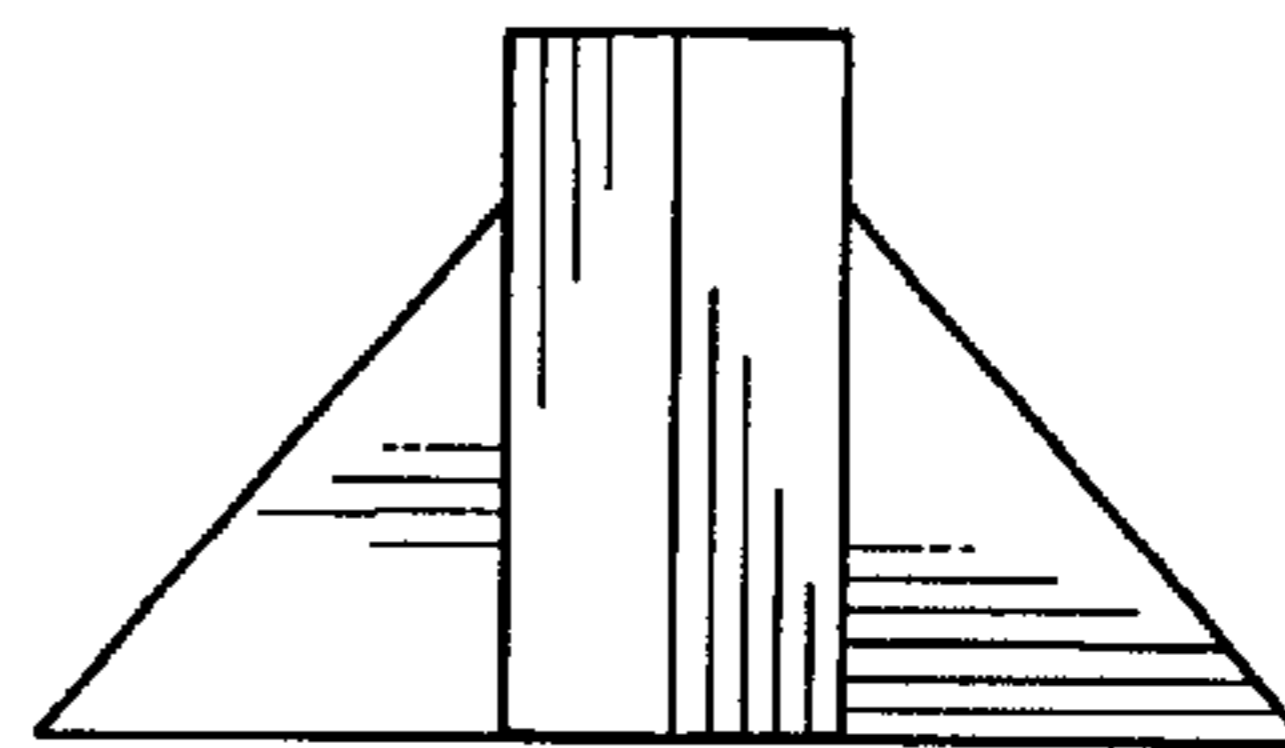


Fig. 4

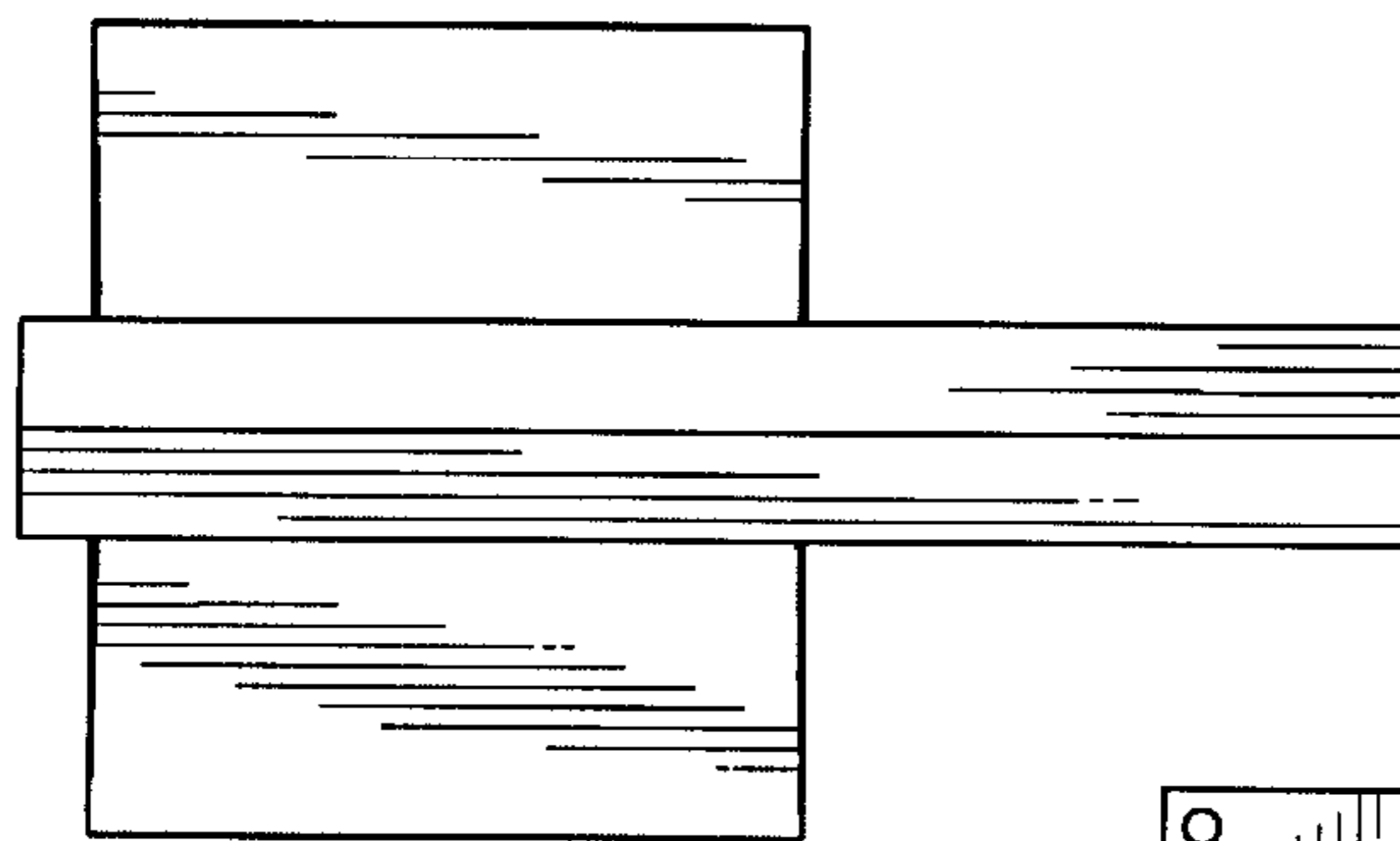


Fig. 5

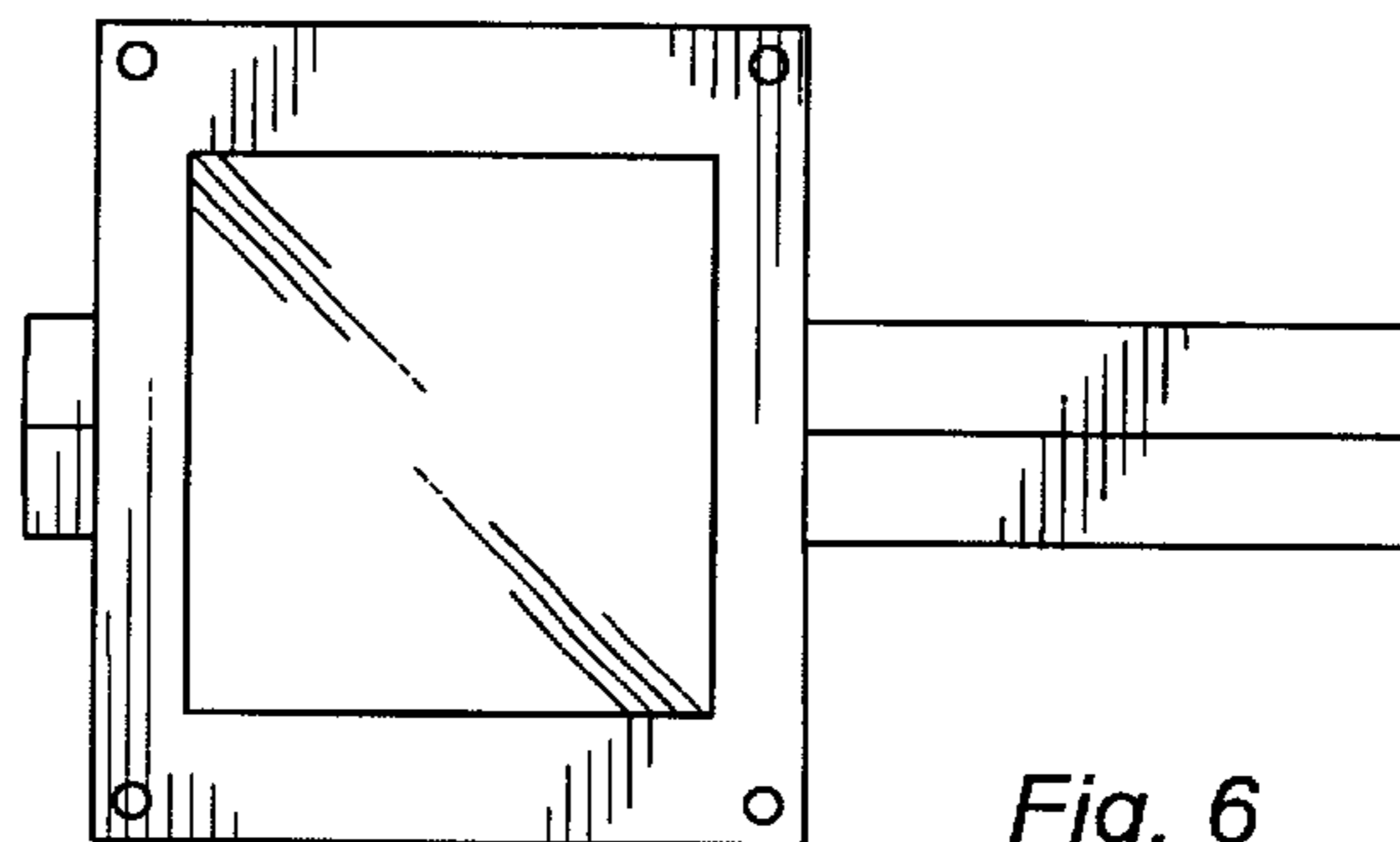


Fig. 6

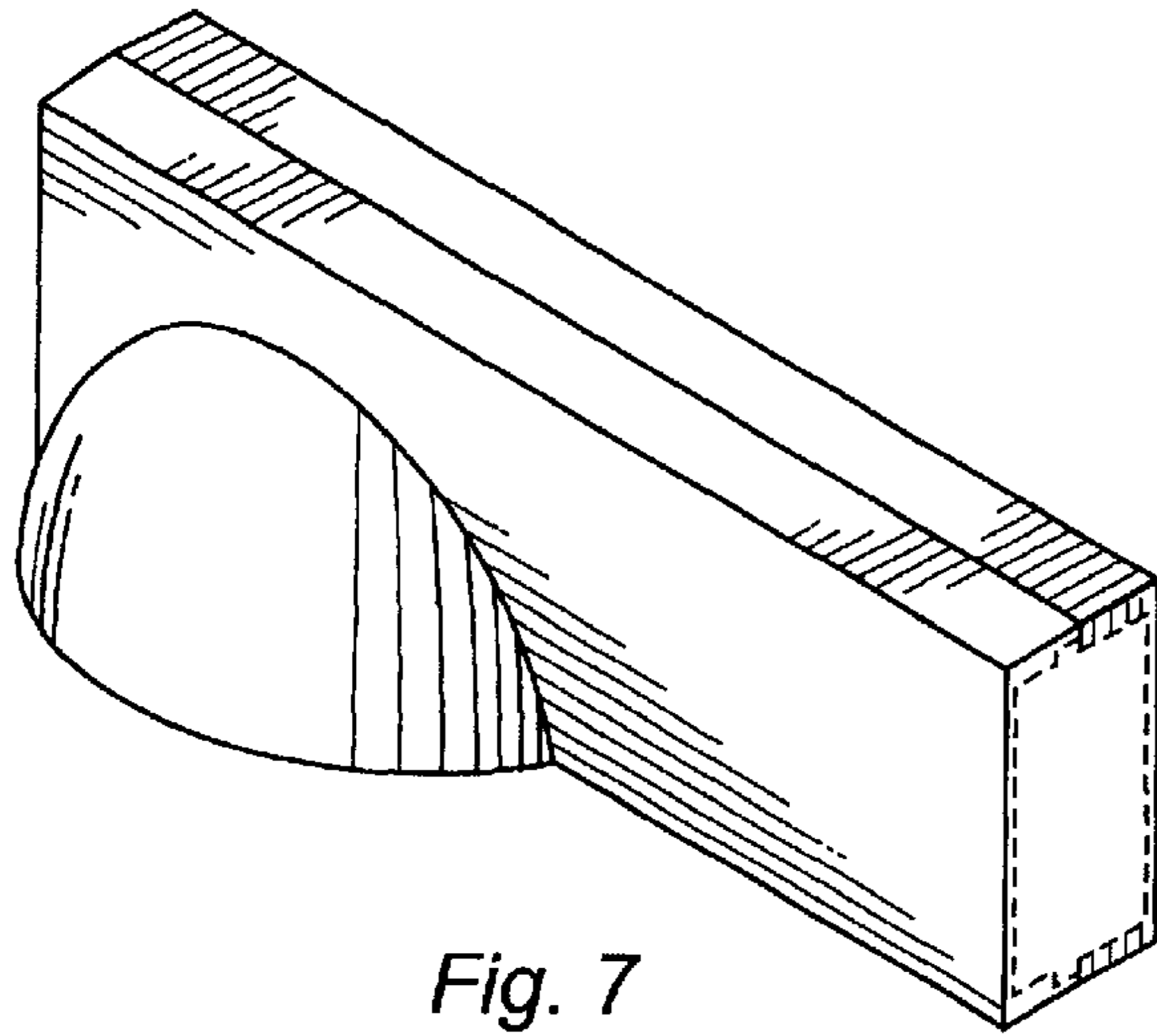


Fig. 7

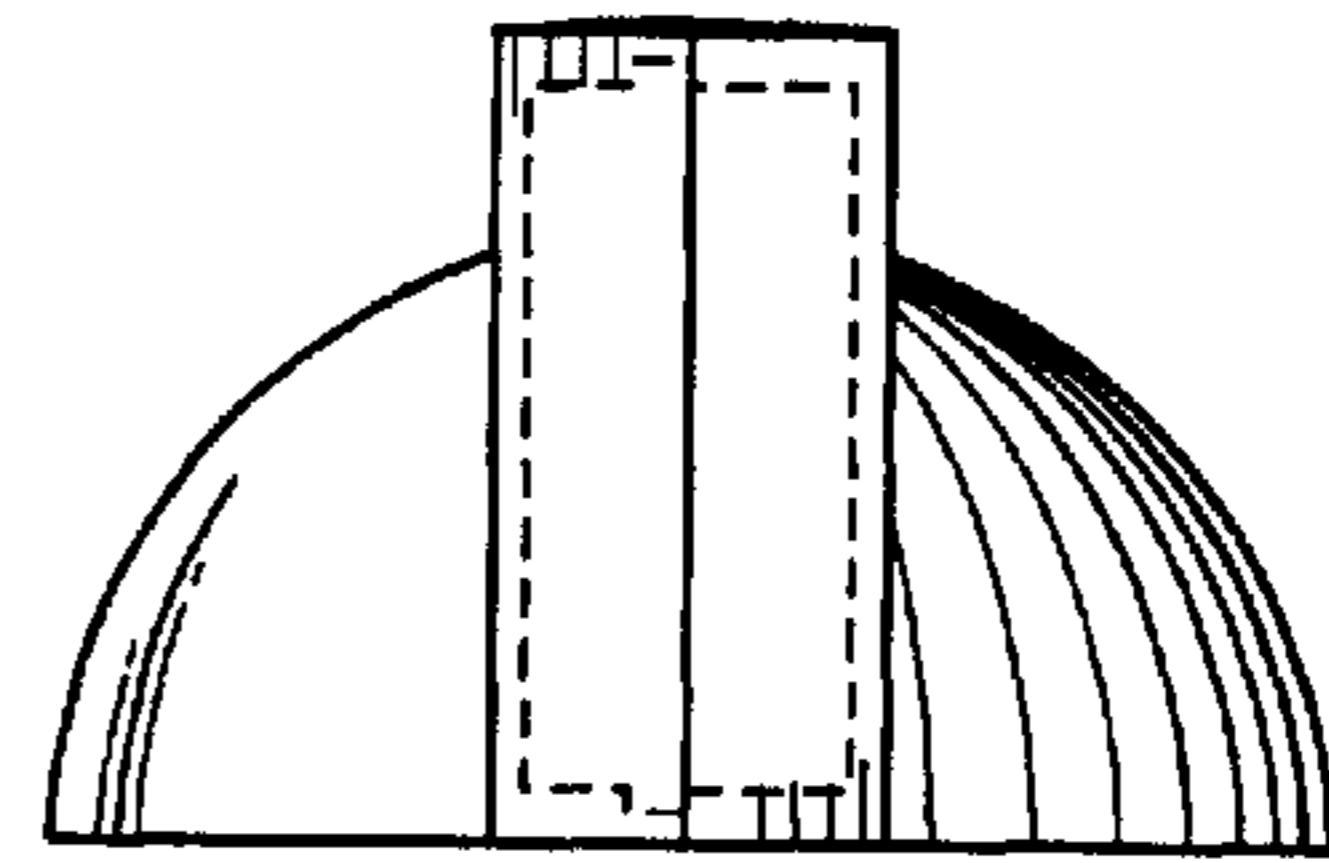


Fig. 9

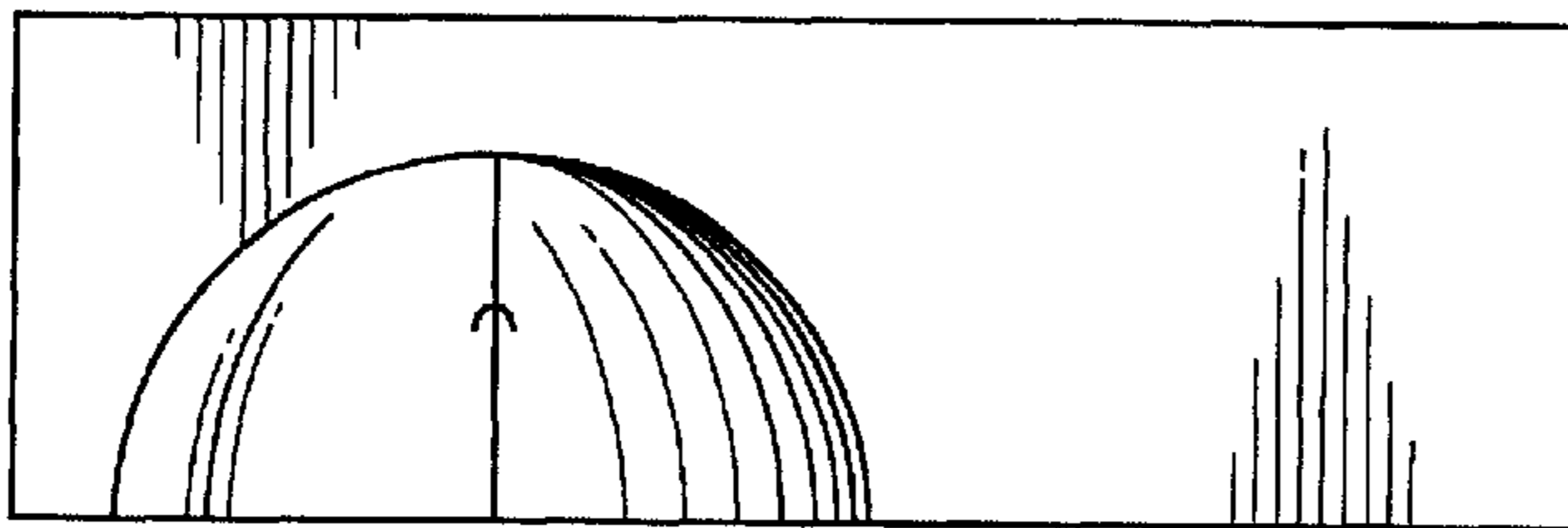


Fig. 8

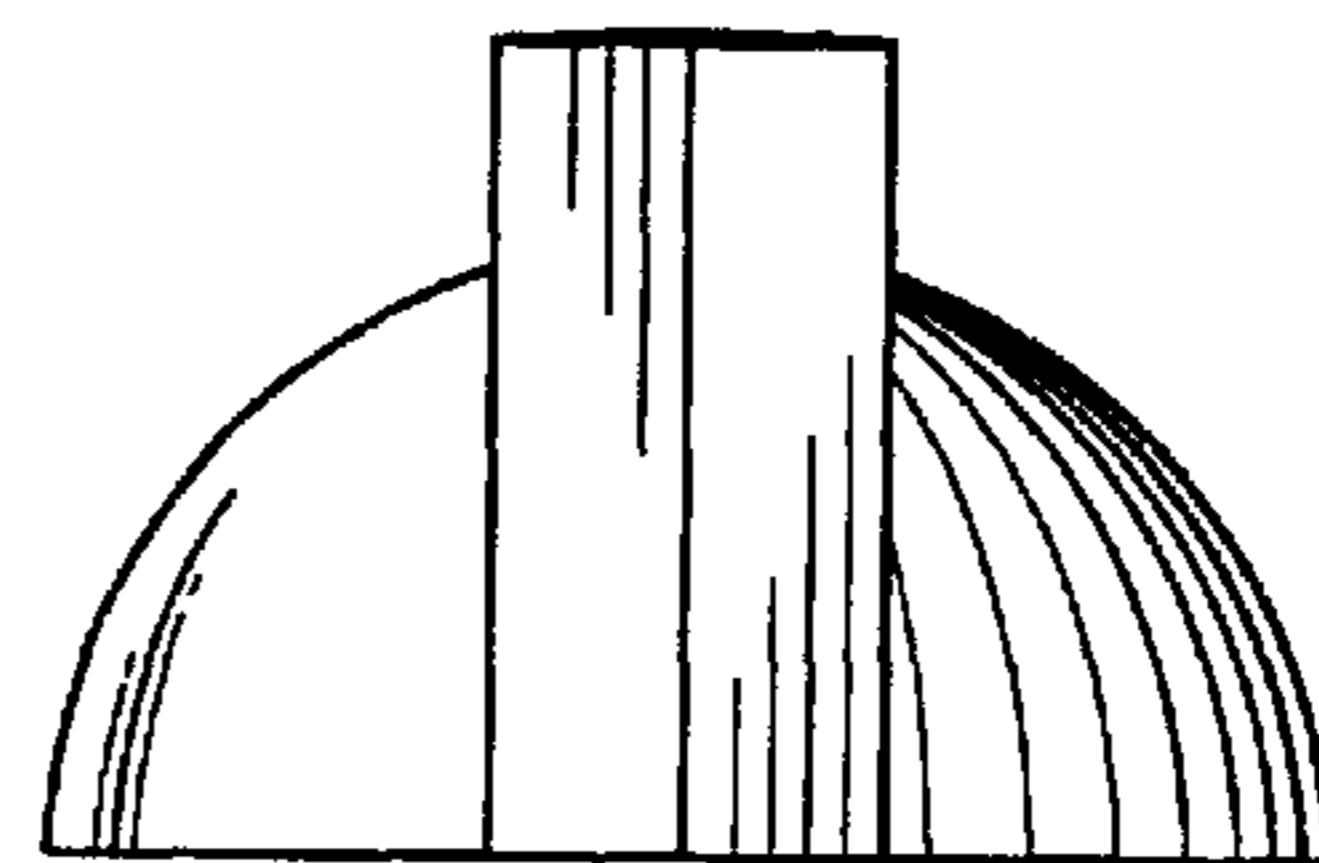


Fig. 10

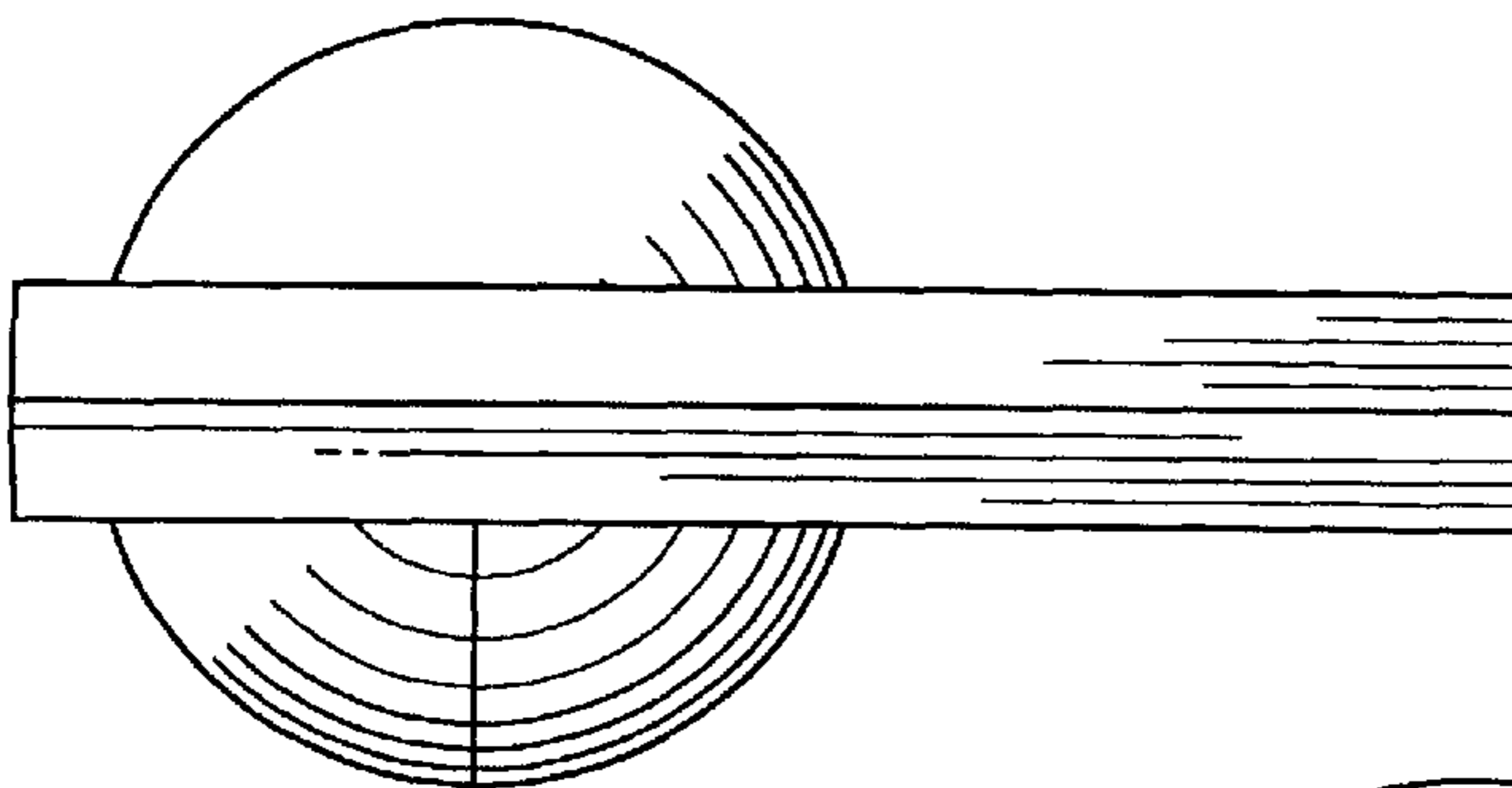


Fig. 11

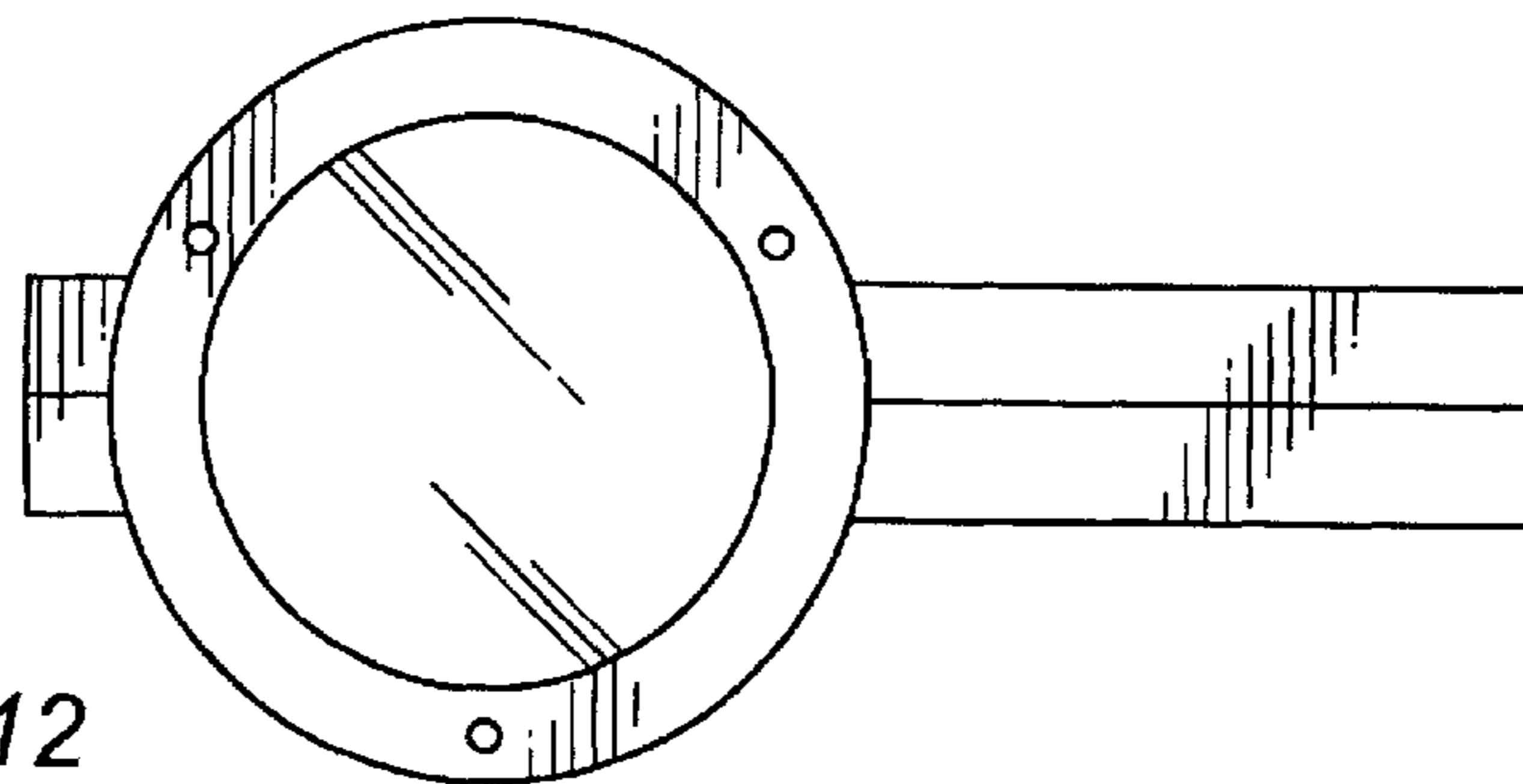


Fig. 12