

US00D509311S

(12) **United States Design Patent**  
**Tomida**

(10) **Patent No.:** **US D509,311 S**  
(45) **Date of Patent:** **\*\* Sep. 6, 2005**

(54) **REAR COMBINATION LAMP FOR AN  
AUTOMOBILE**

*Primary Examiner*—Marcus A. Jackson  
(74) *Attorney, Agent, or Firm*—SAIDMAN DesignLaw  
Group

(75) **Inventor:** **Kenji Tomida**, Aichi-ken (JP)

(73) **Assignee:** **Toyota Jidosha Kabushiki Kaisha** (JP)

(57) **CLAIM**

(\*\*) **Term:** **14 Years**

The ornamental design for a rear combination lamp for an automobile, as shown and described.

(21) **Appl. No.:** **29/219,053**

**DESCRIPTION**

(22) **Filed:** **Dec. 10, 2004**

(51) **LOC (8) Cl.** ..... **26-06**

FIG. 1 is a front perspective view of a rear combination lamp for an automobile showing my new design;

(52) **U.S. Cl.** ..... **D26/28**

FIG. 2 is a front view thereof;

(58) **Field of Search** ..... D26/28-36; 362/458-469,  
362/475-478, 485-487

FIG. 3 is a rear view thereof;

(56) **References Cited**

FIG. 4 is a top view thereof;

**U.S. PATENT DOCUMENTS**

FIG. 5 is a bottom view thereof;

D500,372 S \* 12/2004 Tamura ..... D26/28

FIG. 6 is a right-side view thereof; and,

D501,053 S \* 1/2005 Kamimura et al. .... D26/28

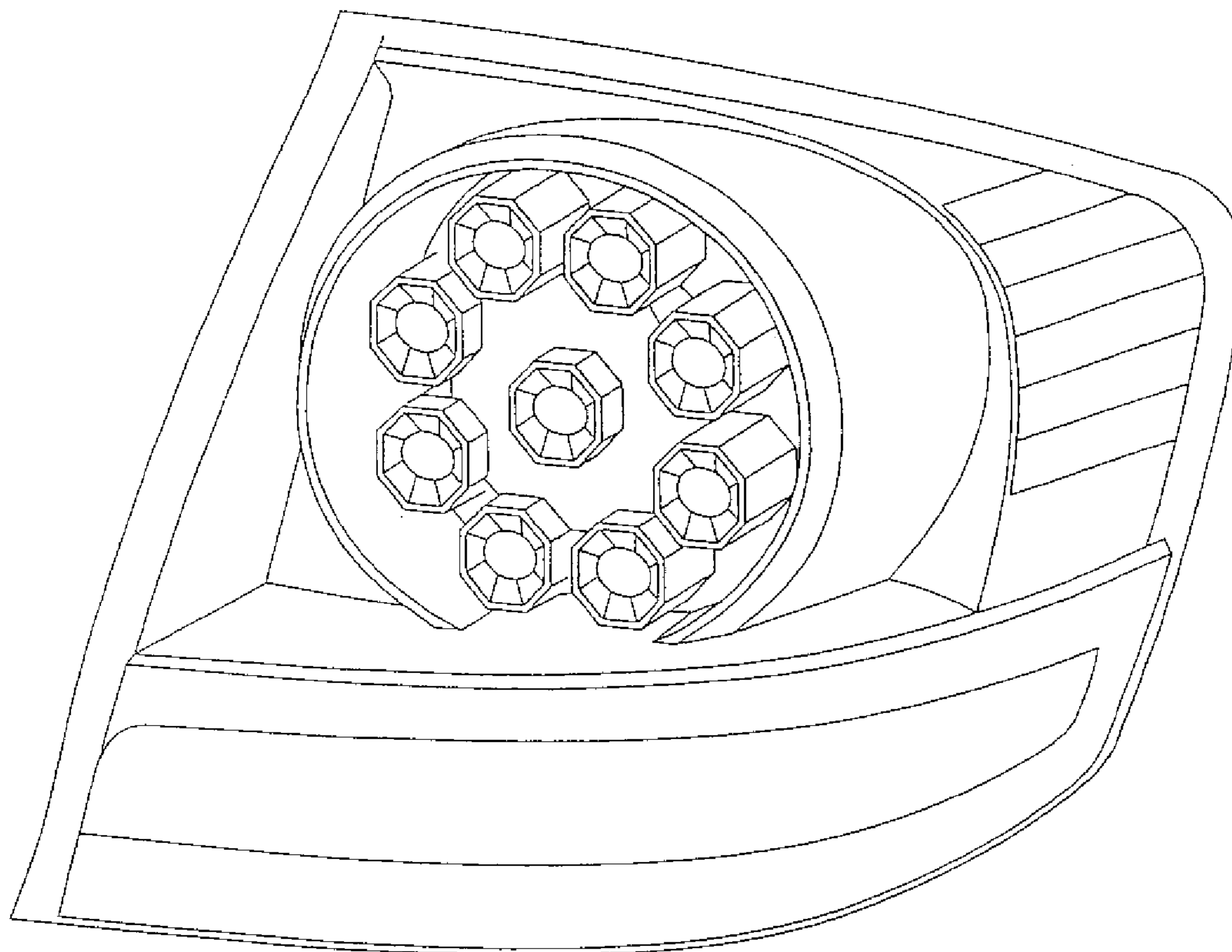
FIG. 7 is a left-side view thereof.

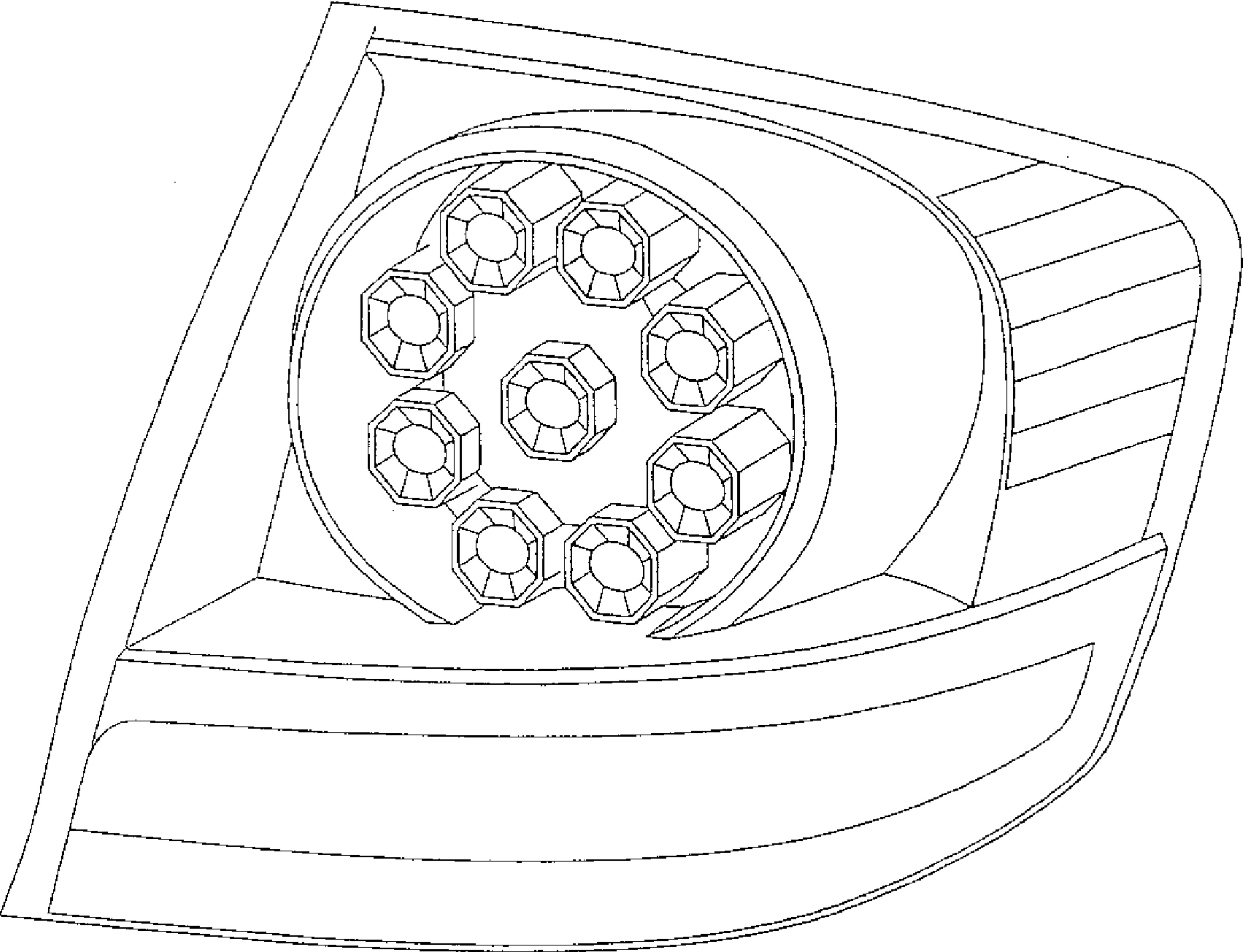
**OTHER PUBLICATIONS**

Ford, Mondeo 2003, Imported Cars Guide Book, Oct. 22,  
2003.

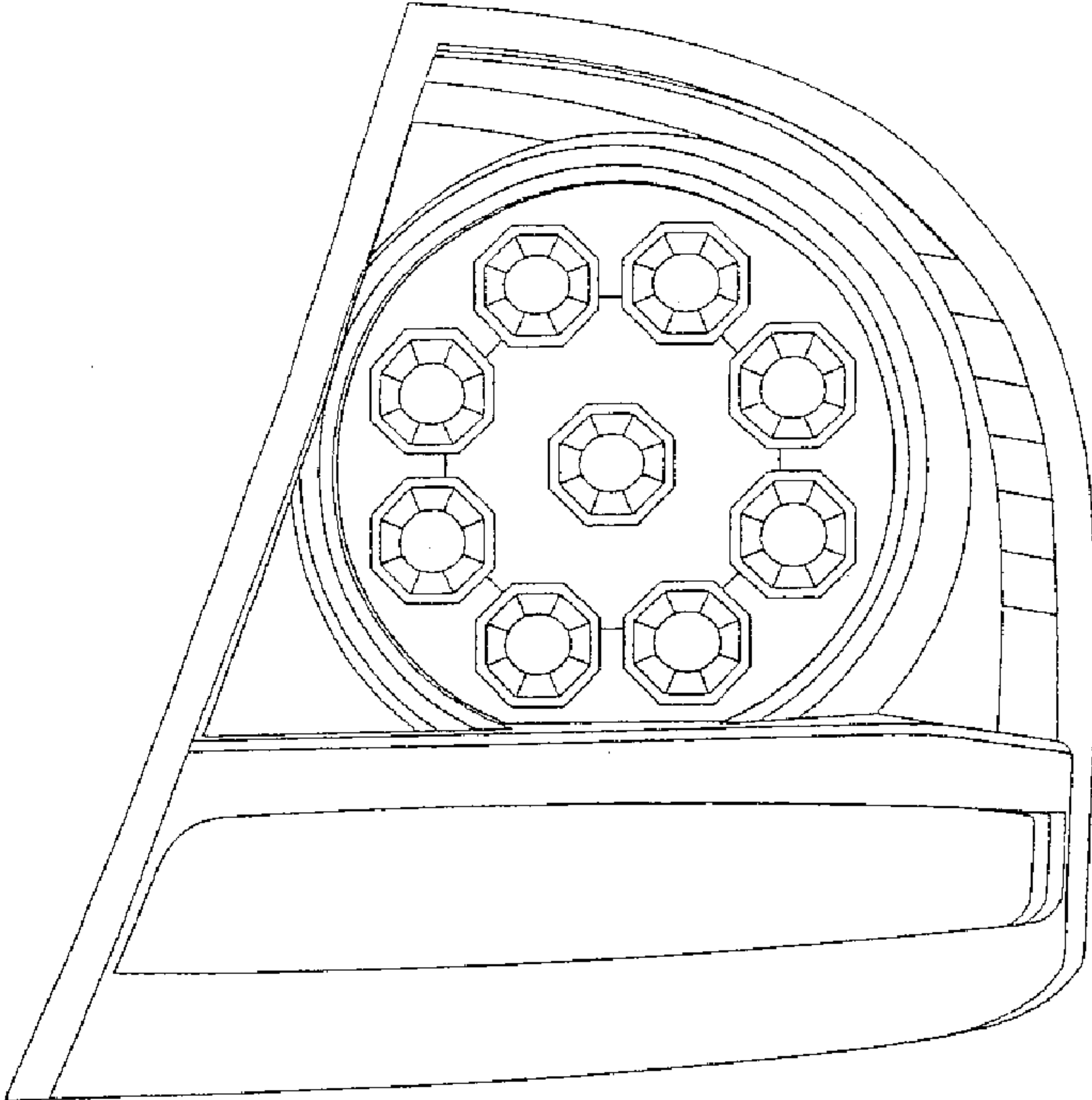
\* cited by examiner

**1 Claim, 4 Drawing Sheets**

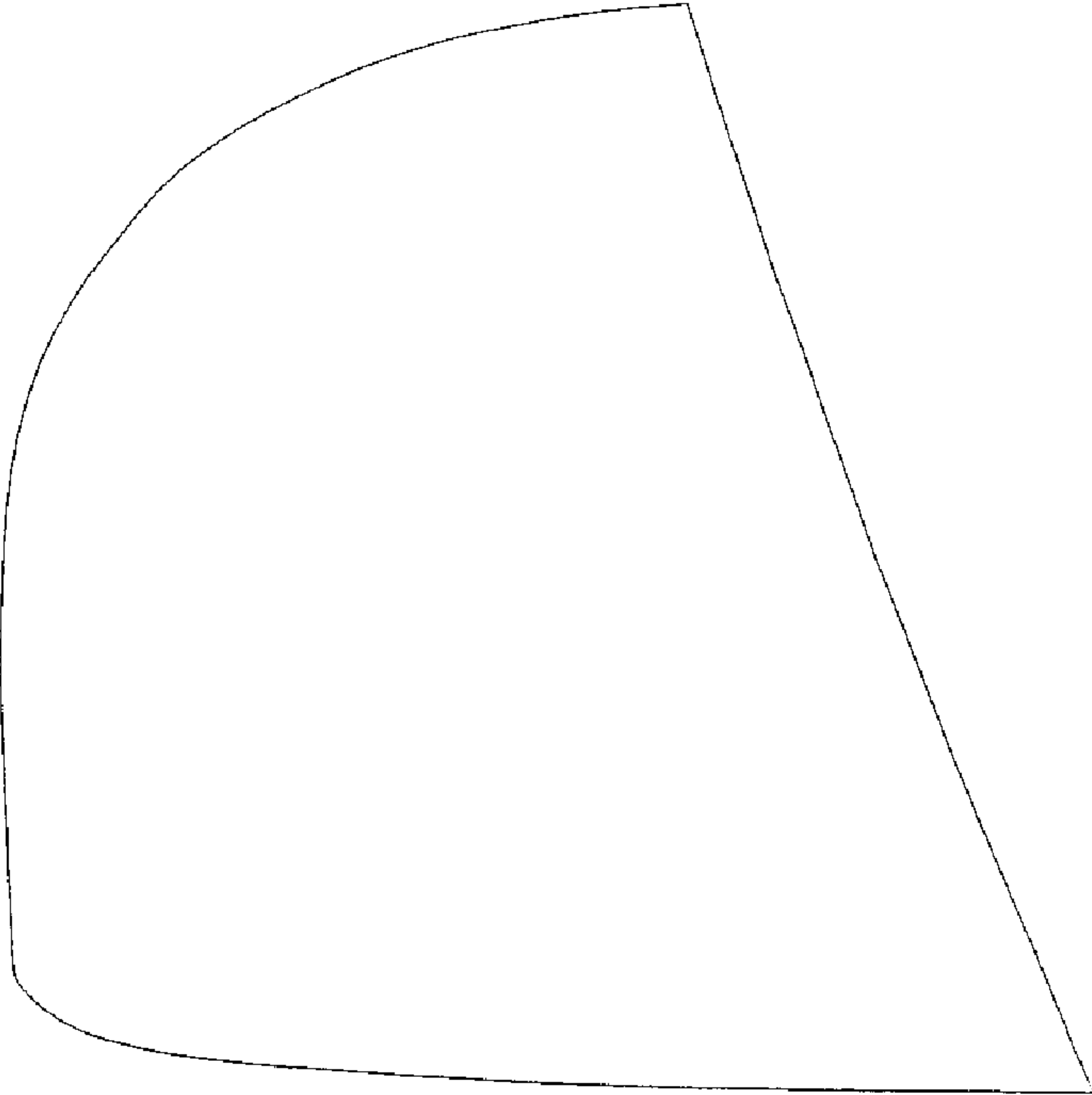




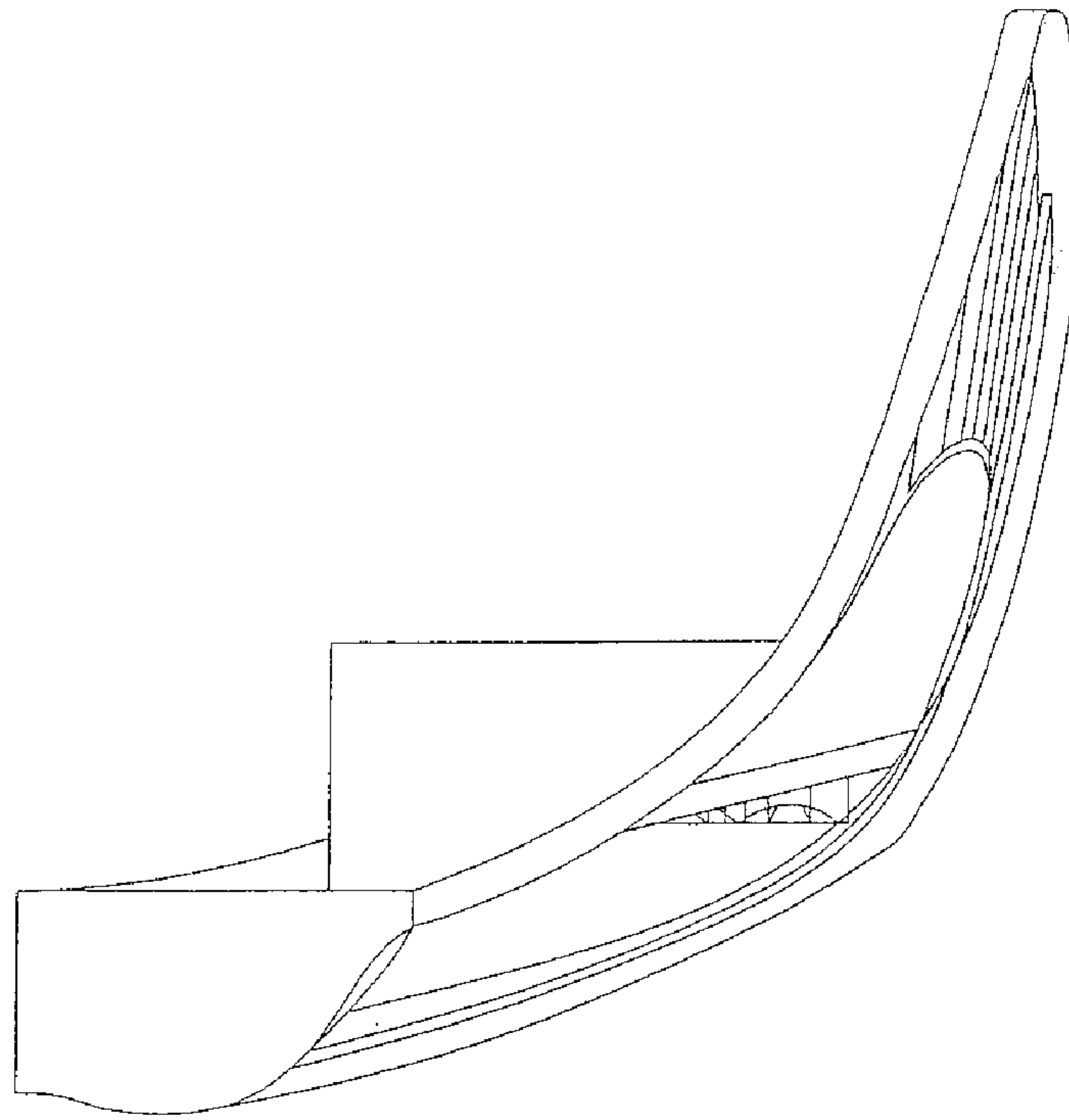
**FIG. 1**



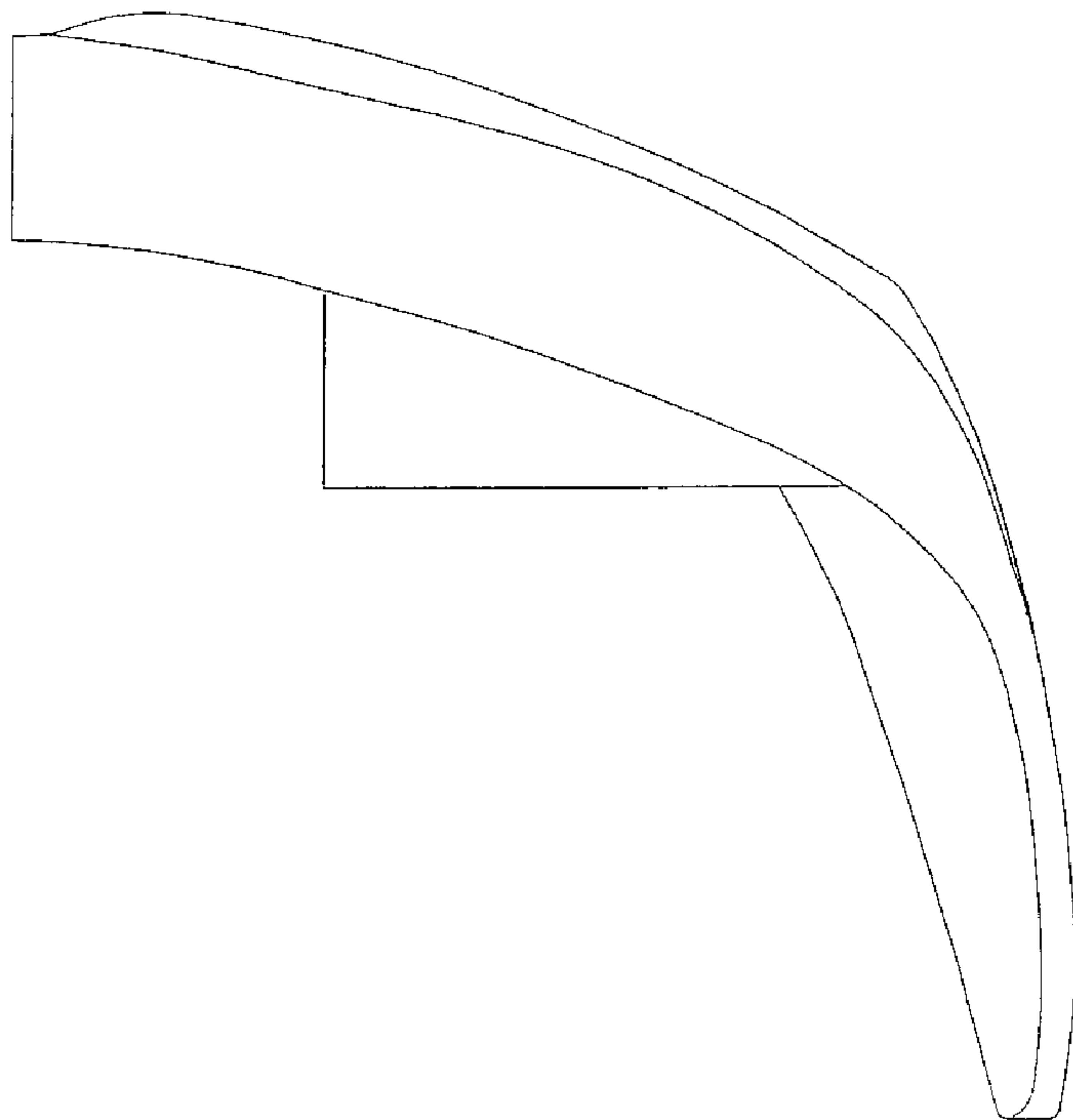
**FIG. 2**



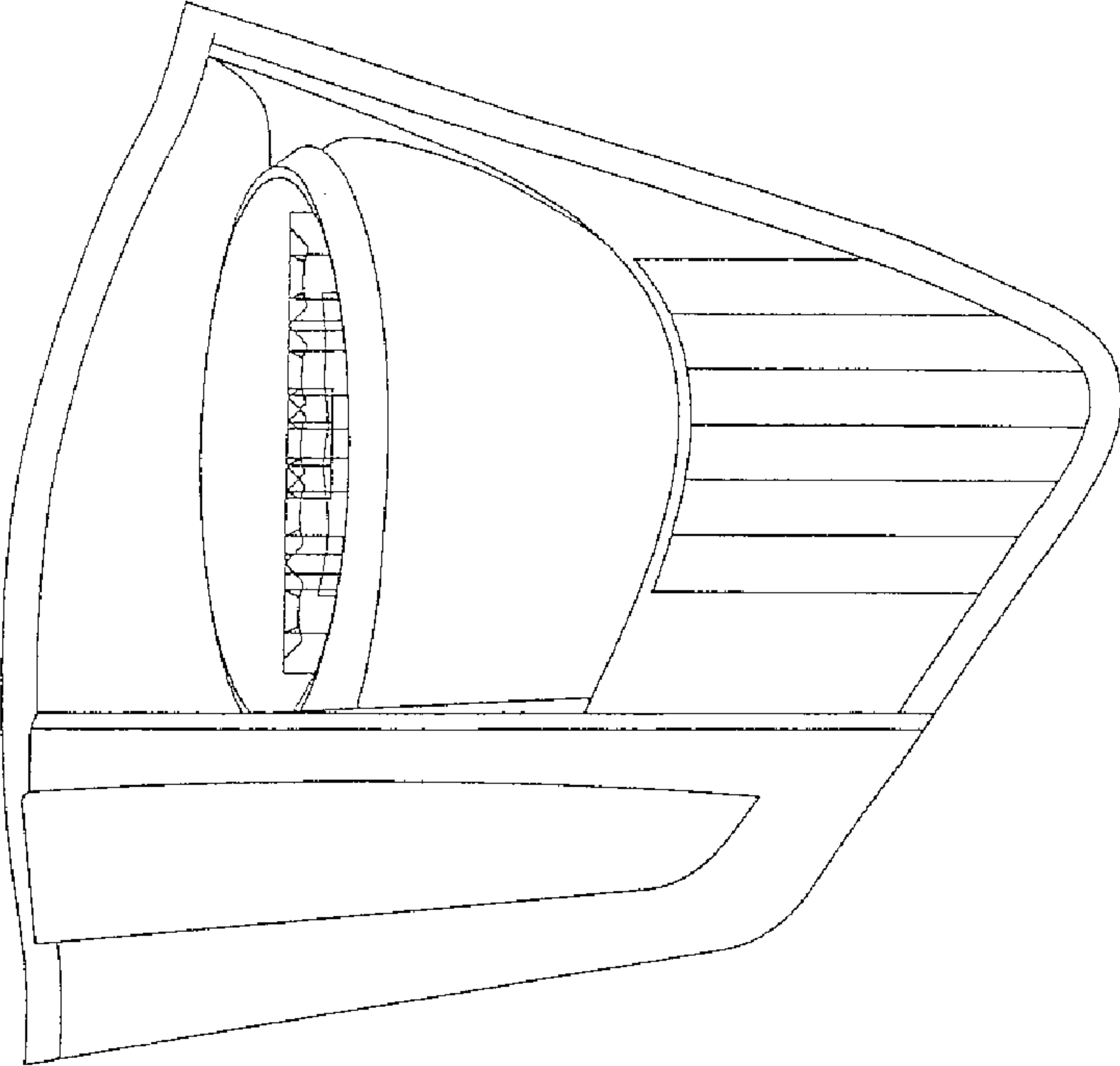
**FIG. 3**



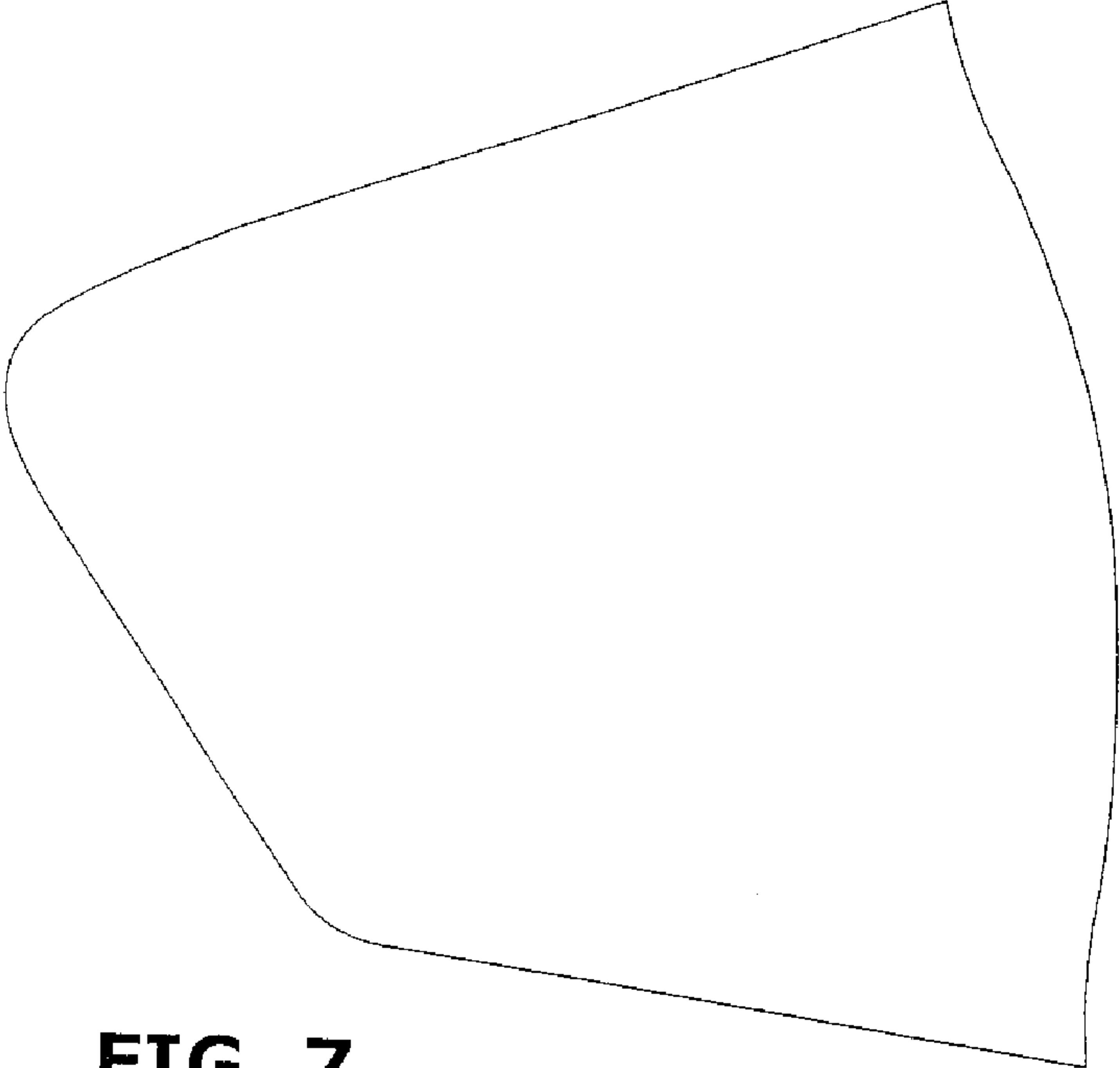
**FIG. 4**



**FIG. 5**



**FIG. 6**



**FIG. 7**